

| SYSTEM/POINT | POINTS LIST | | | | COMMENTS |
|----------------------------|-------------|----|----|----|---------------------------|
| | DO | DI | AO | AI | |
| REHEAT VALVE | | | ● | | |
| SUPPLY AIR DAMPER | | | ● | | |
| SPACE TEMPERATURE | | | | ● | |
| SPACE TEMPERATURE SETPOINT | | | | ● | |
| SUPPLY AIR VOLUME | | | | ● | |
| RADIATION VALVE | | | ● | | |
| AIRFLOW PROVING | | | | ● | |
| SUPPLY AIR TEMPERATURE | | | | ● | OMIT FOR DEDUCT ALTERNATE |

VAV BOX W/HOT WATER REHEAT
GENERAL ZONE CONTROL
 DEDICATED SINGLE SENSOR ZONES SHALL BE CONTROLLED FROM SENSORS AS SHOWN ON "N" DRAWINGS. THE VARIABLE VOLUME (VAV) TERMINAL UNIT IS CONTROLLED INDEPENDENT OF SYSTEM PRESSURE FLUCTUATIONS BY AN APPLICATION SPECIFIC DDC CONTROLLER USING ELECTRIC ACTUATION. THE SPACE SERVED BY THE VAV TERMINAL UNIT IS CONTROLLED IN OCCUPIED AND UNOCCUPIED MODES AS FOLLOWS:

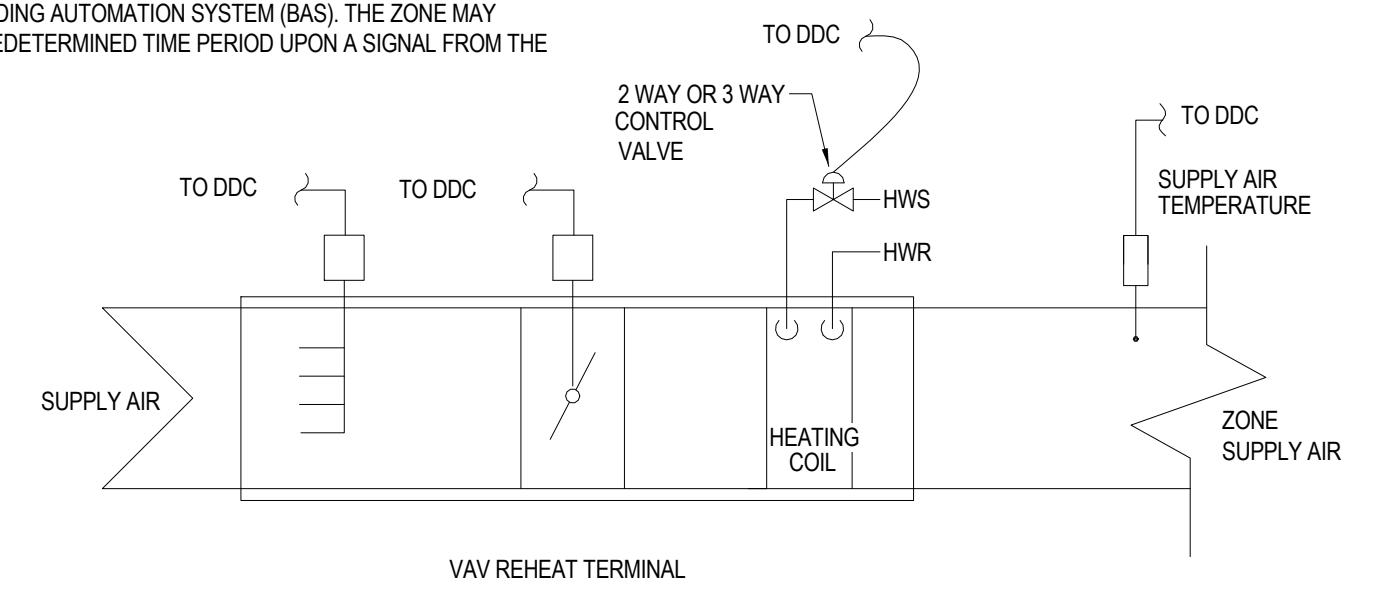
OCCUPIED ZONE CONTROL
 THE VAV TERMINAL UNIT IS CONTROLLED BETWEEN MAXIMUM AND MINIMUM SUPPLY AIR VOLUME SETTINGS. THE CONTROLLER MONITORS THE ROOM TEMPERATURE SENSOR AND AIR VELOCITY SENSOR AND MODULATES THE SUPPLY AIR DAMPER IN SEQUENCE WITH THE REHEAT VALVE AND RADIATION VALVE TO MAINTAIN THE ROOM TEMPERATURE AT SET POINT.

HEATING MODE
 THE ZONE HEATING MODE IS DEFINED AS ANY SENSED TEMPERATURE LESS THAN ONE DEGREE BELOW SET POINT. IN HEATING MODE, THE HOT WATER REHEAT COIL WILL MODULATE TO MAINTAIN SPACE SETPOINT.

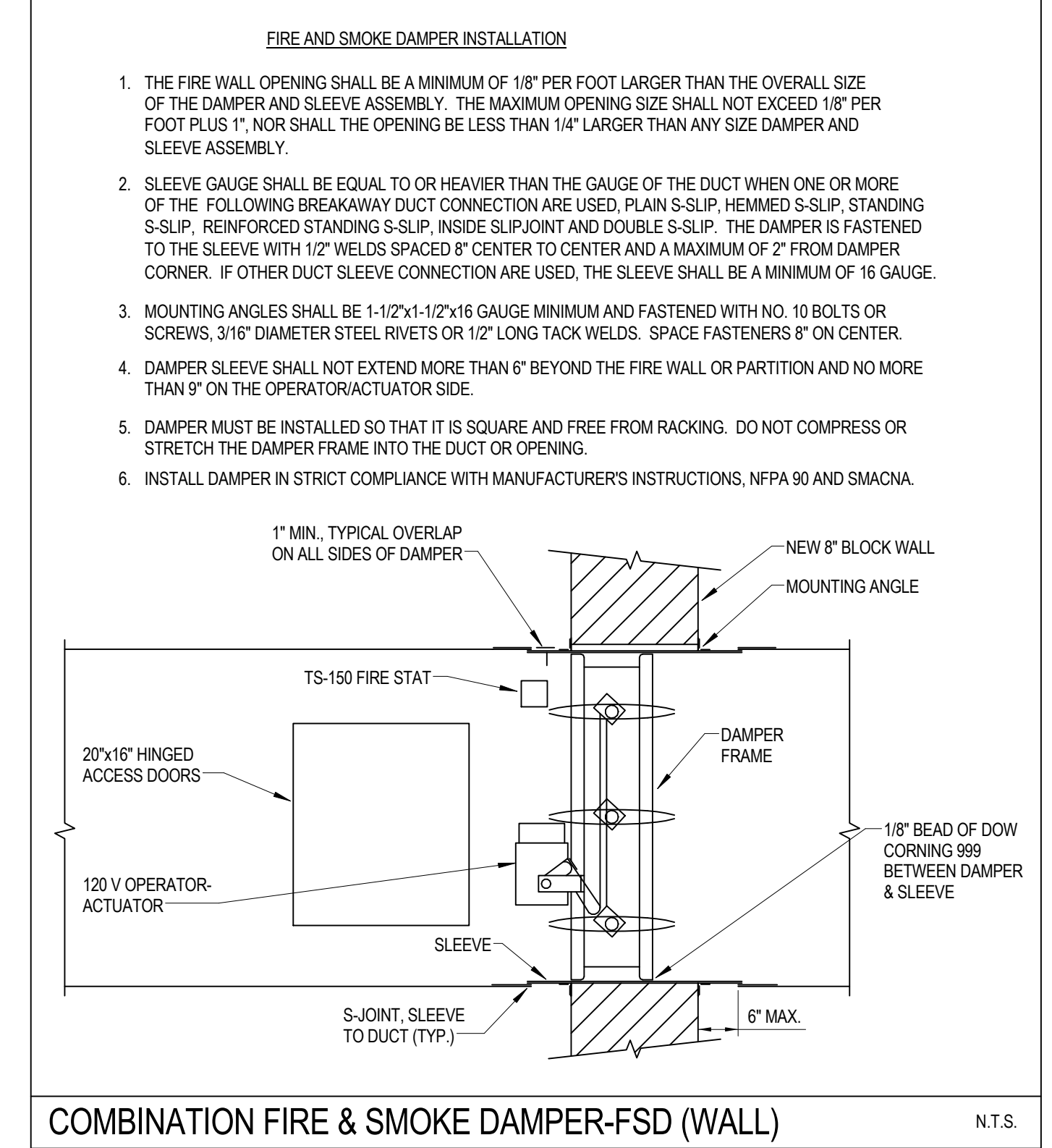
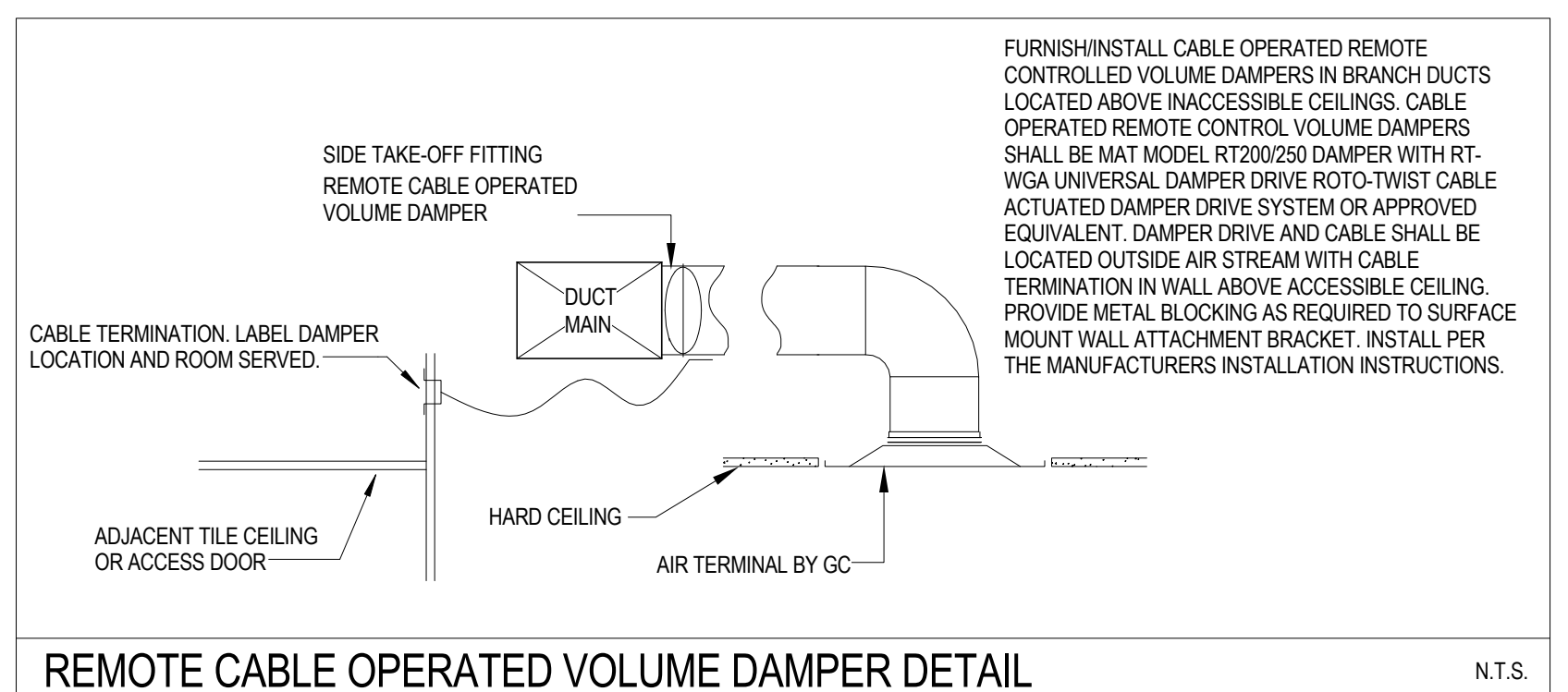
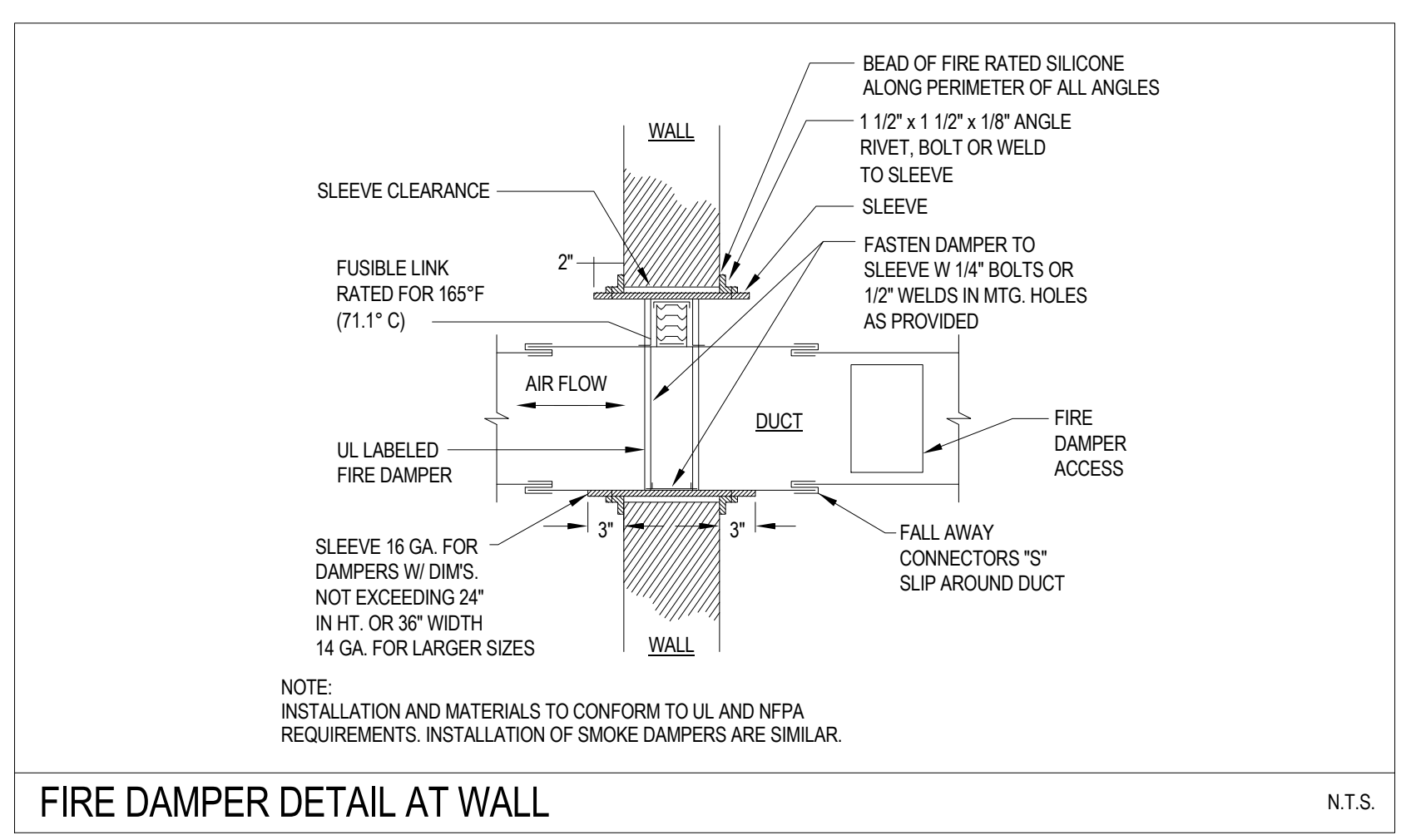
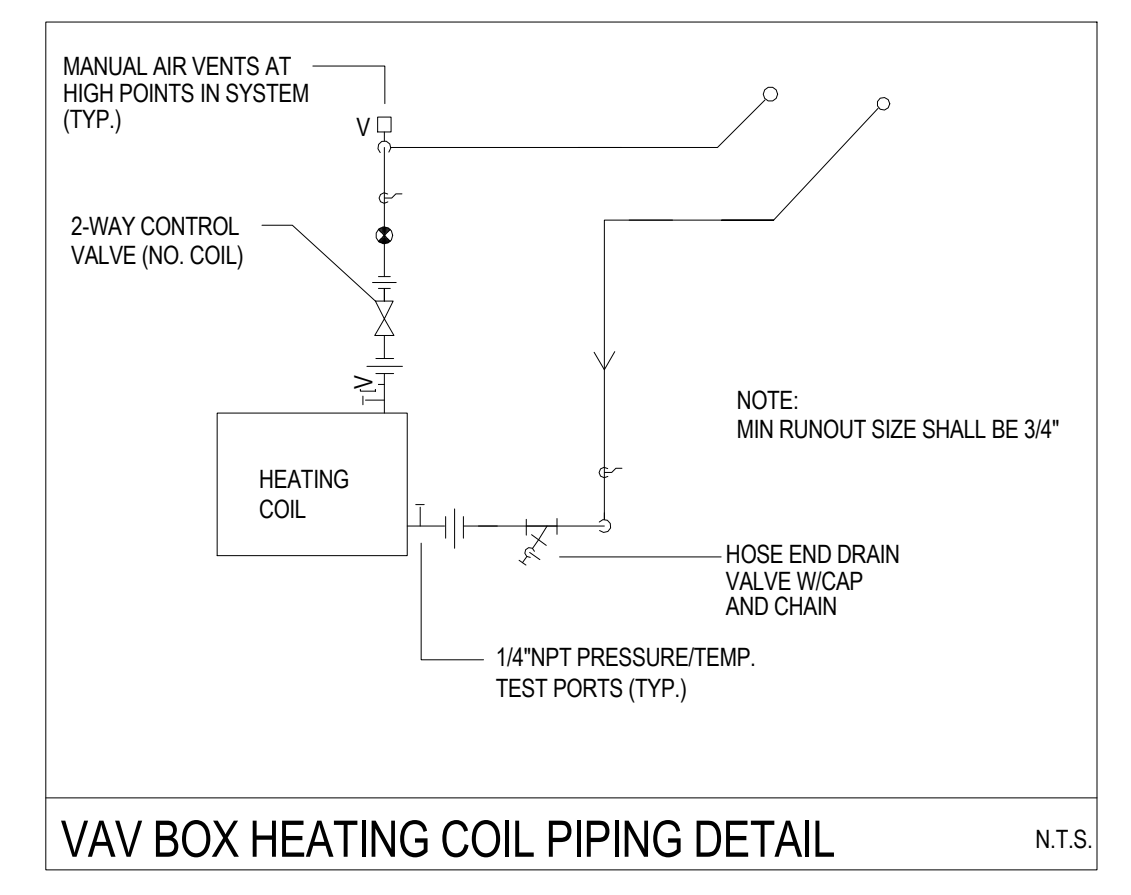
COOLING MODE
 THE ZONE COOLING MODE IS DEFINED AS ANY SENSED TEMPERATURE GREATER THAN ONE DEGREE ABOVE SETPOINT. IN COOLING MODE, THE VAV TERMINAL AND REHEAT VALVE SHALL MODULATE TO MAINTAIN SPACE SETPOINT.

CONSTANT VOLUME - THE VAV BOX DAMPER WILL MODULATE TO MAINTAIN A CONSTANT AIR VOLUME AS INDICATED ON THE SCHEDULE. THE REHEAT COIL CONTROL VALVE SHALL MODULATE TO MAINTAIN THE SUPPLY AIR TEMPERATURE SETPOINT.

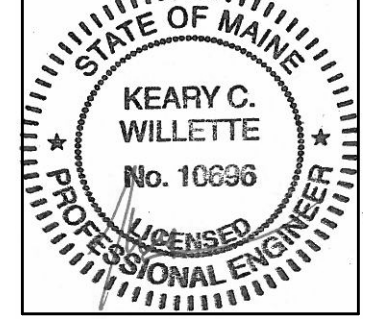
UNOCCUPIED ZONE CONTROL
 THE TERMINAL UNITS SHALL BE CONTROLLED SAME AS OCCUPIED MODE IN EITHER THE HEATING OR COOLING MODE USING THE NIGHT SET POINT. THE UNOCCUPIED TIMES IN THESE ZONES SHALL BE SCHEDULED THROUGH THE BUILDING AUTOMATION SYSTEM (BAS). THE ZONE MAY RESET TO THE OCCUPIED MODE FOR A PREDETERMINED TIME PERIOD UPON A SIGNAL FROM THE CONTROL SYSTEM.



VAV/HOT WATER REHEAT (NEW VVR BOXES)
 NO SCALE CS-06



| No. | Date | Description |
|-----|------|-------------------|
| | | Revision Schedule |



JOB NO. 195210863

DRWN: CHK/ ERD KCW

SCALE:

ISSUE PERMIT SET - 95% CONSTRUCTION DOCUMENTS 04.12.16

TITLE: HVAC DETAILS

SHEET M502



Stantec Consulting Services Inc.
 482 Payne Road Scarborough Court
 Scarborough, ME 04074-8929
 Tel: (207) 883-3355 / Fax: (207) 883-3376
 www.stantec.com