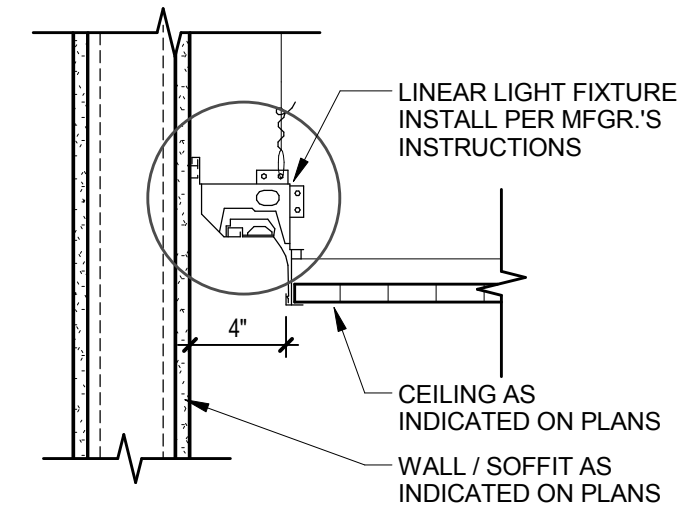
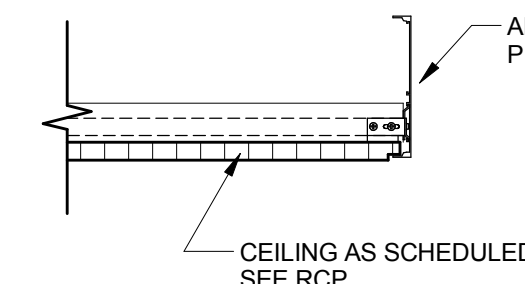


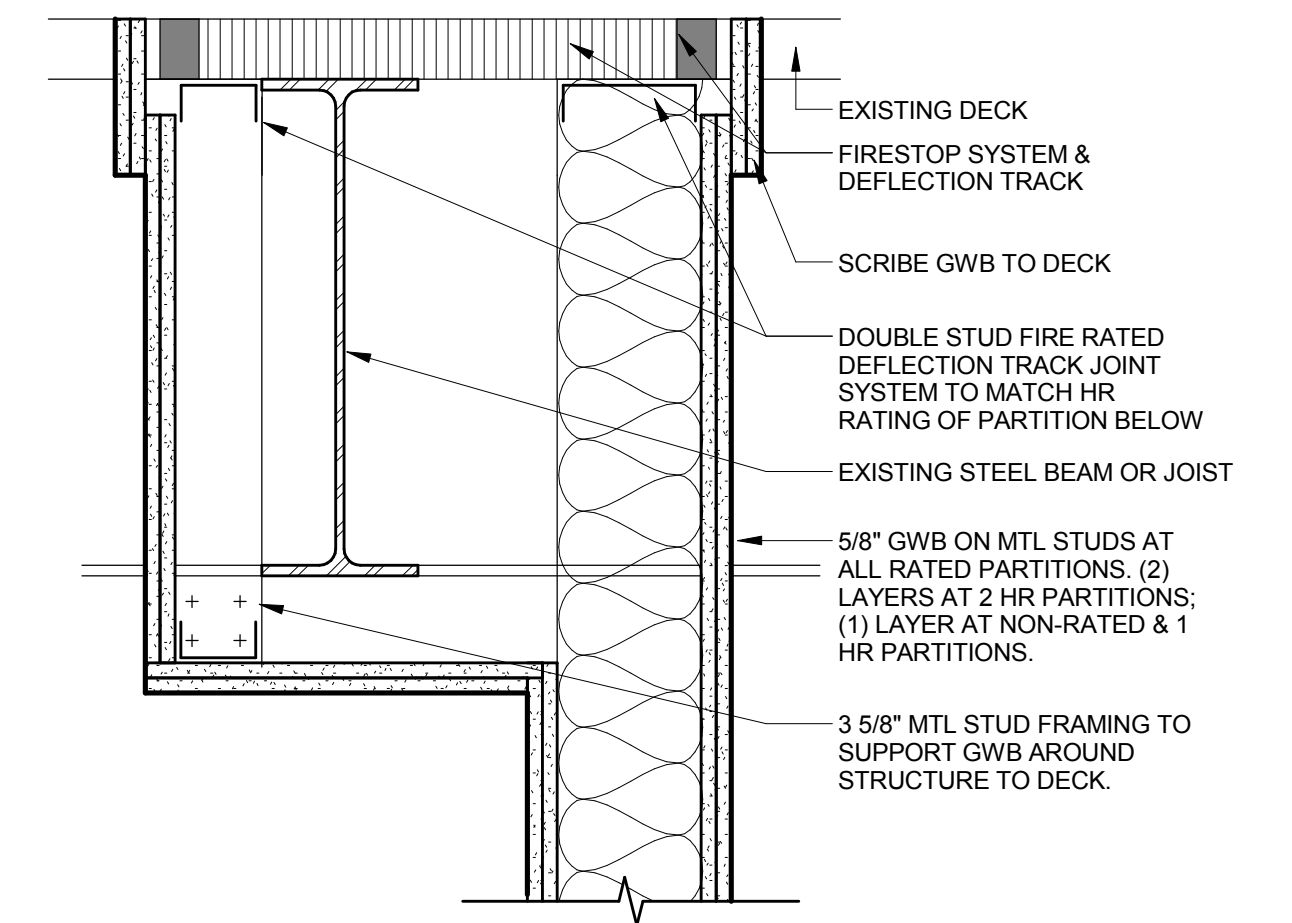
8 CEILING DETAIL - GWB TRANSITION
1 1/2" = 1'-0"



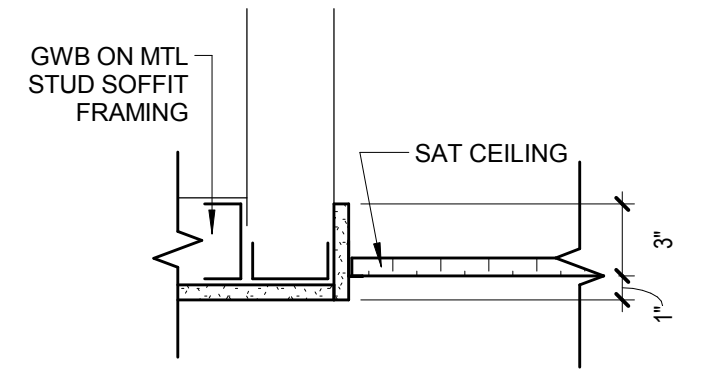
15 LINEAR LIGHT DETAIL
1 1/2" = 1'-0"



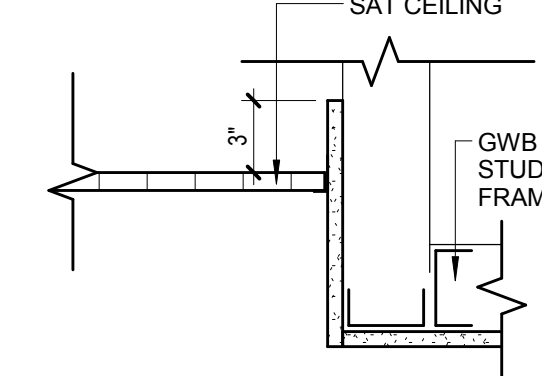
7 CEILING DETAIL - EDGE OF CLOUD DETAIL
1 1/2" = 1'-0"



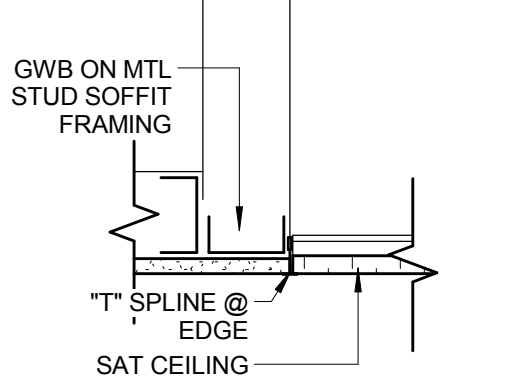
1 TYPICAL TOP OF WALL DETAIL - FIRE RATED MTL. STUD @ OFFSET BEAM
1 1/2" = 1'-0"



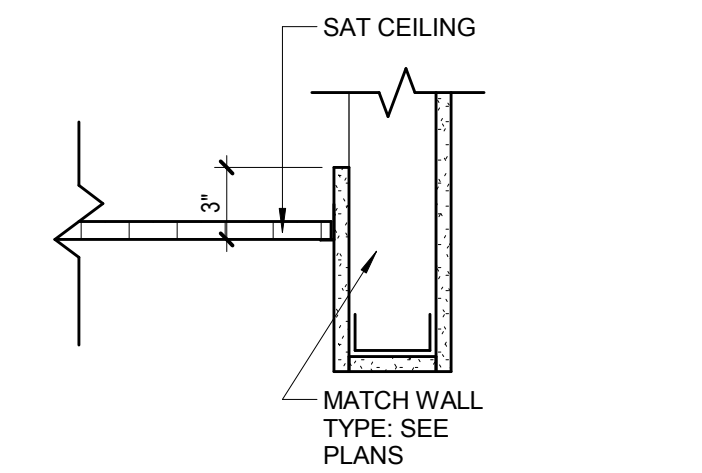
9 CEILING DETAIL - LOW SAT TO GWB
1 1/2" = 1'-0"



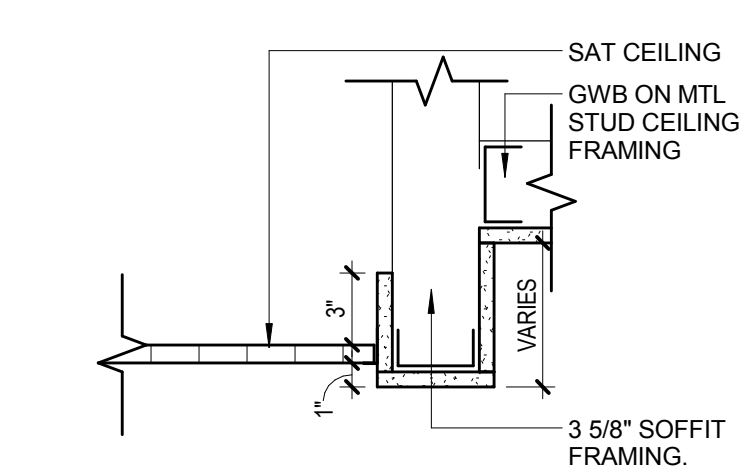
10 CEILING DETAIL - SAT TO GWB
1 1/2" = 1'-0"



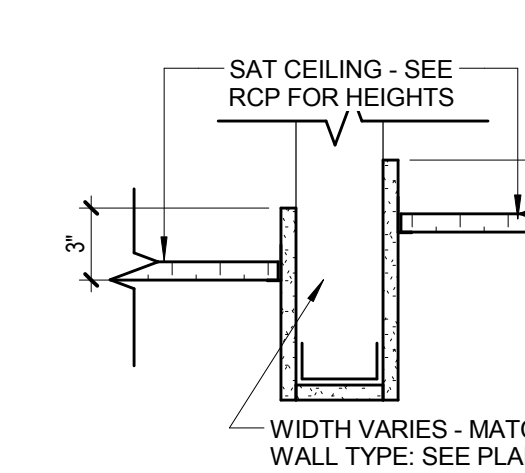
11 CEILING DETAIL - SAT TO GWB ALIGNED
1 1/2" = 1'-0"



12 CEILING DETAIL - SAT TO GWB SOFFIT
1 1/2" = 1'-0"

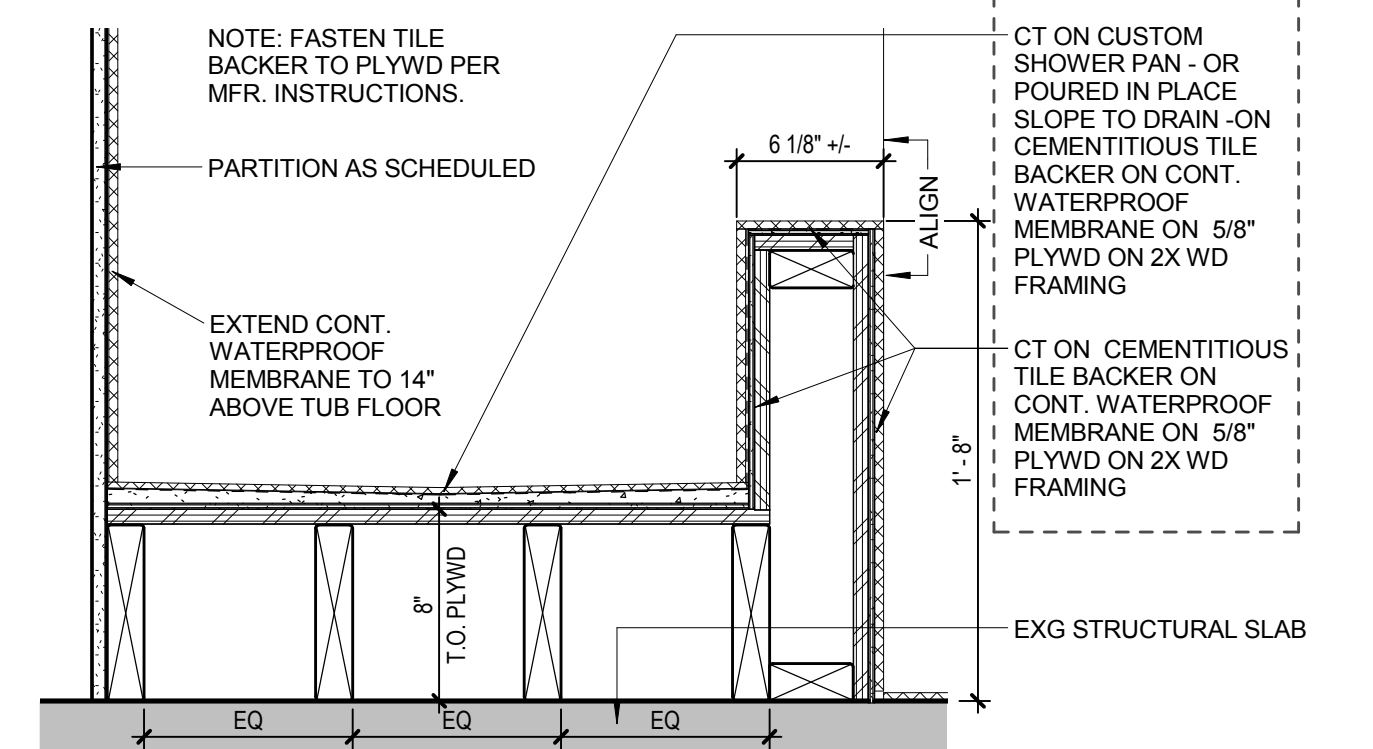


13 CEILING DETAIL - SAT TO GWB W/ SOFFIT
1 1/2" = 1'-0"

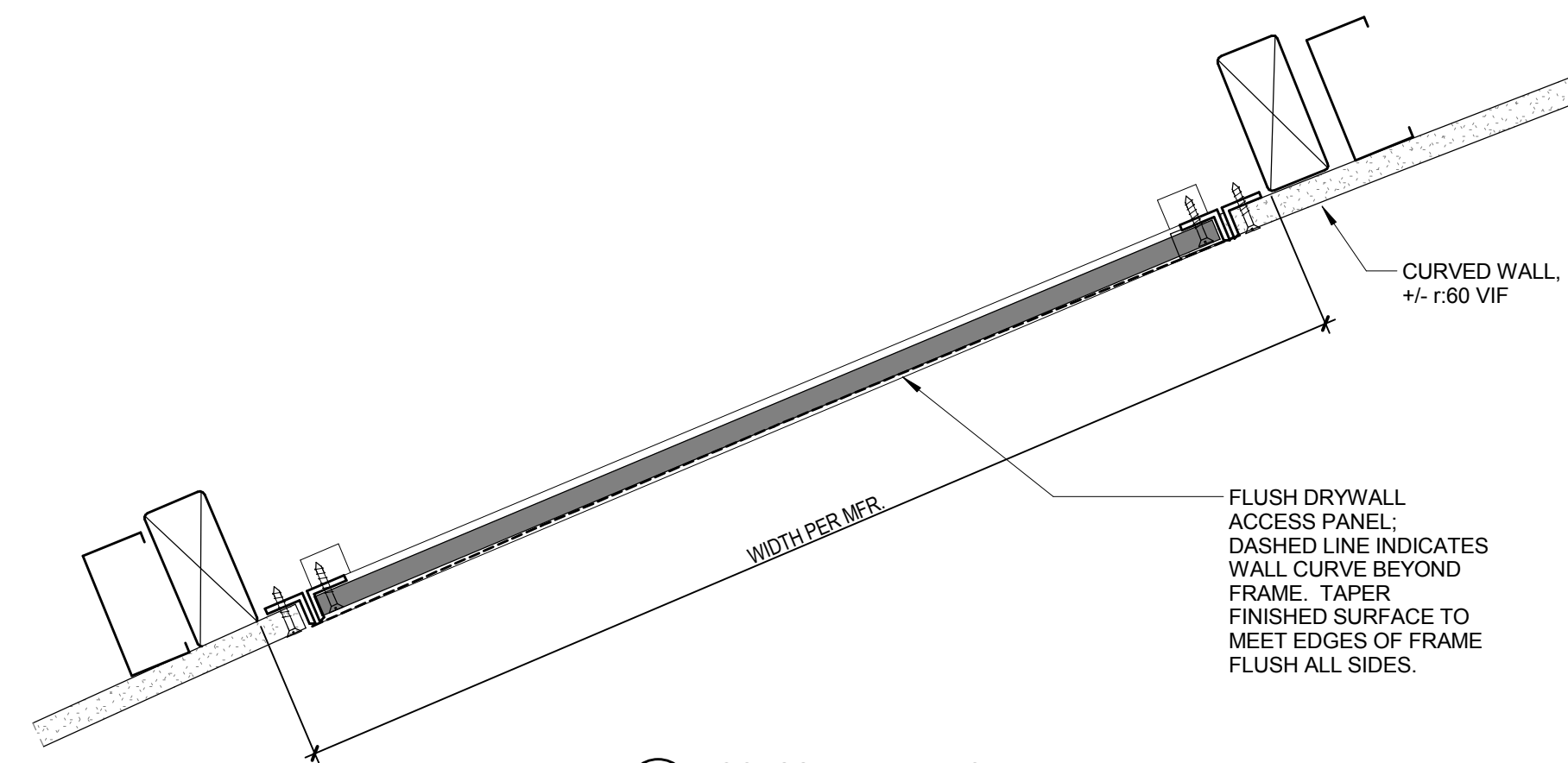


14 CEILING DETAIL - SAT W/ GWB SOFFIT
1 1/2" = 1'-0"

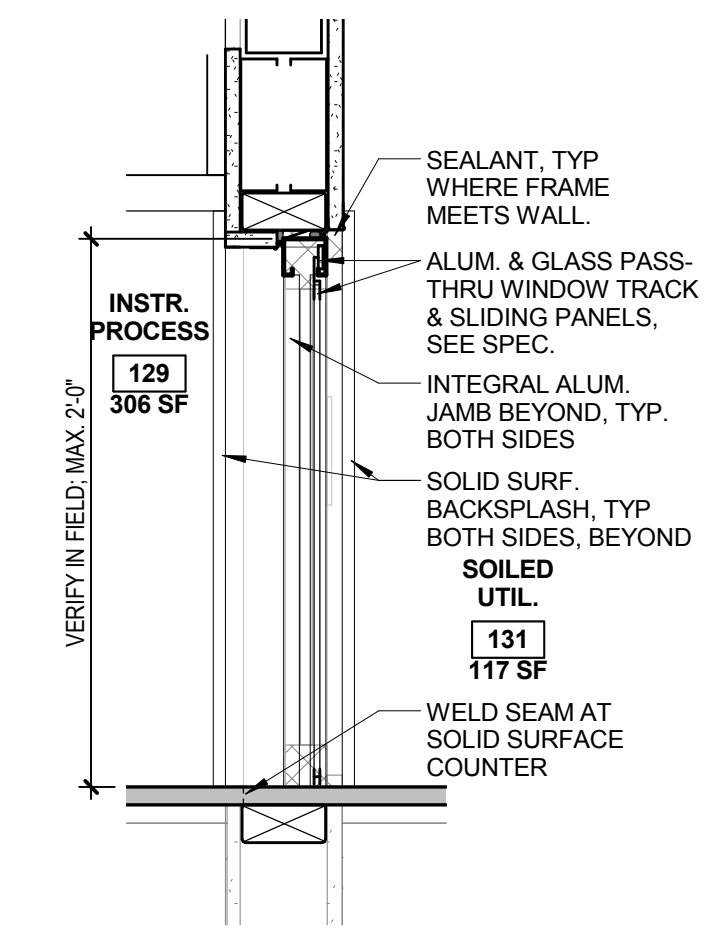
ADD:
 * DETAIL AT CURVED SOFFIT ABOVE RETINA RECEPTION
 * WOOD CEILING ABOVE RECEPTIONS & CHECK-OUT, INCLU. WHERE STRIP LIGHT SITS.



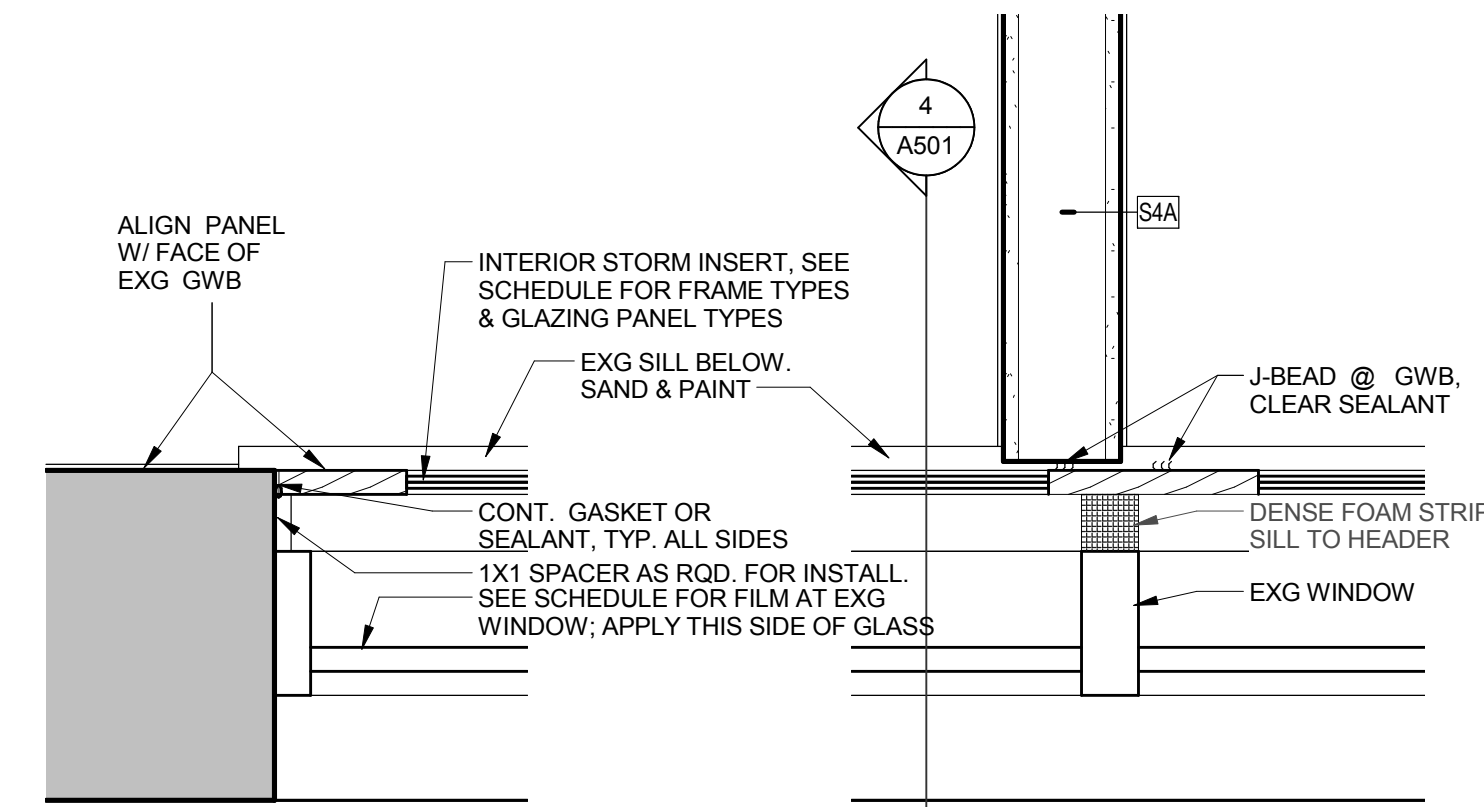
2 TLT-S #138A #139A- TYPICAL TUB BASE DETAIL
1 1/2" = 1'-0"



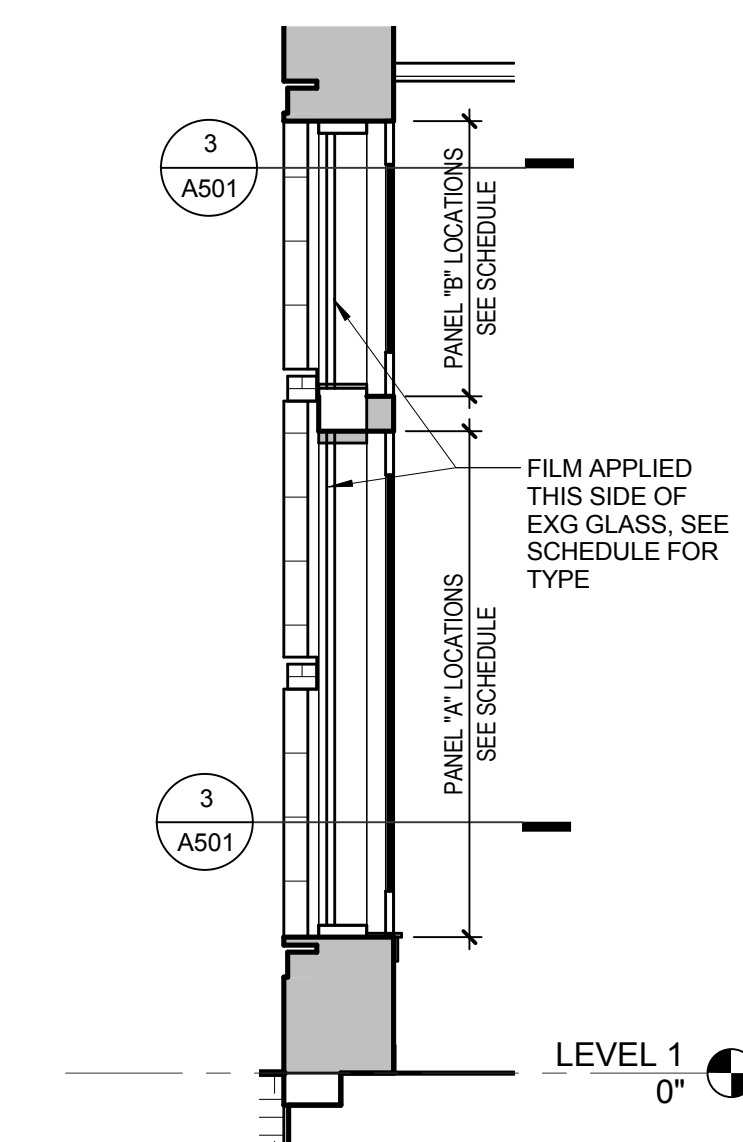
19 ACCESS PANEL AT CURVED WALL
3" = 1'-0"



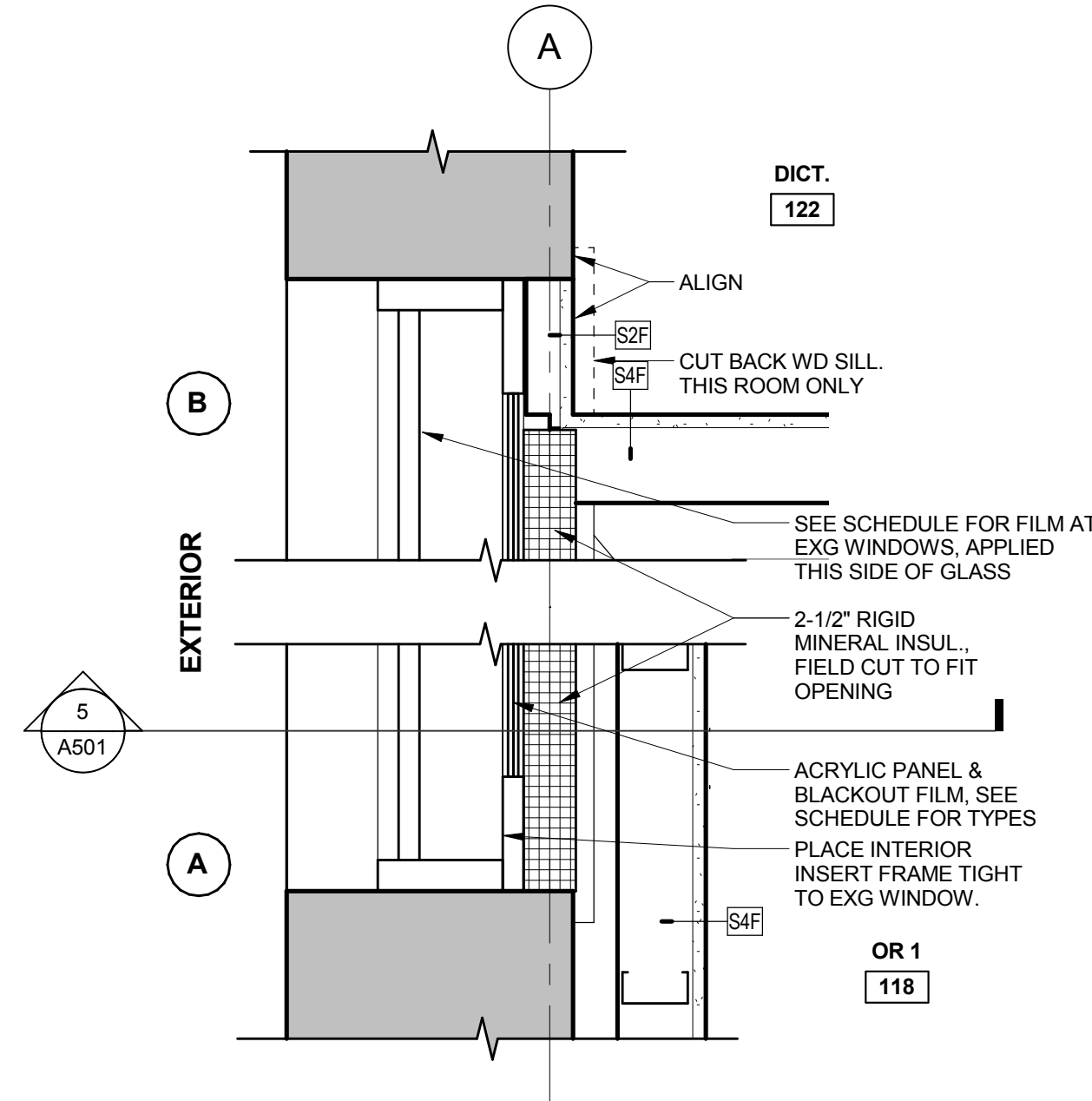
20 Section at Pass-Thru
1 1/2" = 1'-0"



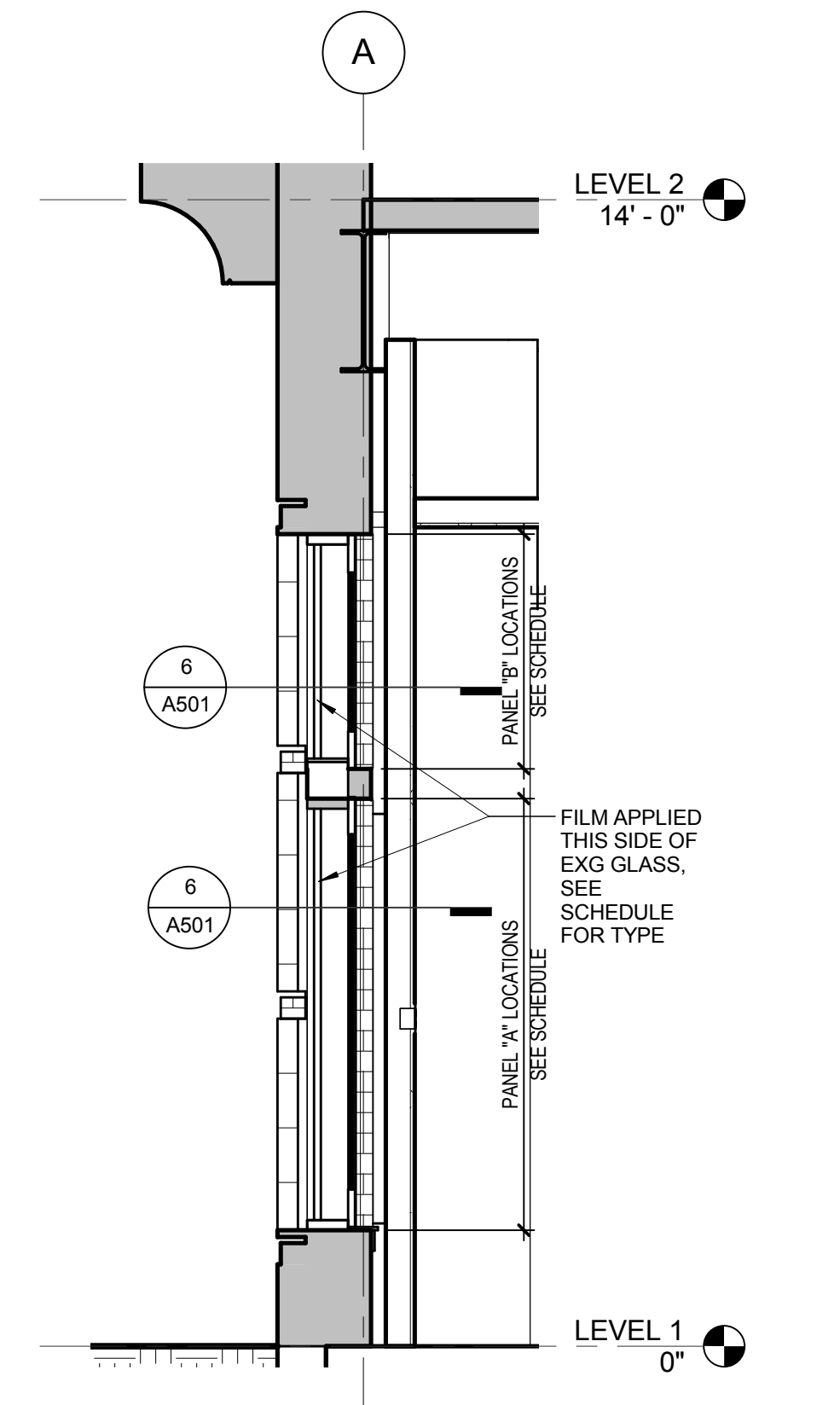
3 DETAIL AT TYPICAL INTERIOR WINDOW INSERT
1 1/2" = 1'-0"



4 SECTION AT TYPICAL INTERIOR WINDOW INSERT
1/2" = 1'-0"

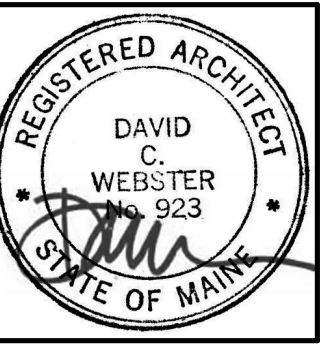


6 DETAIL AT INSULATED INTERIOR WINDOW INSERT
1 1/2" = 1'-0"



5 SECTION AT INSULATED INTERIOR WINDOW INSERT
1/2" = 1'-0"

#	Date	Description
Revision Schedule		



JOB NO. 15088

DRWN: CHK: SMD RSC

SCALE:

ISSUE PERMIT SET - 95% CONSTRUCTION DOCUMENTS
 04.12.16

TITLE: INTERIOR DETAILS

SHEET

A501