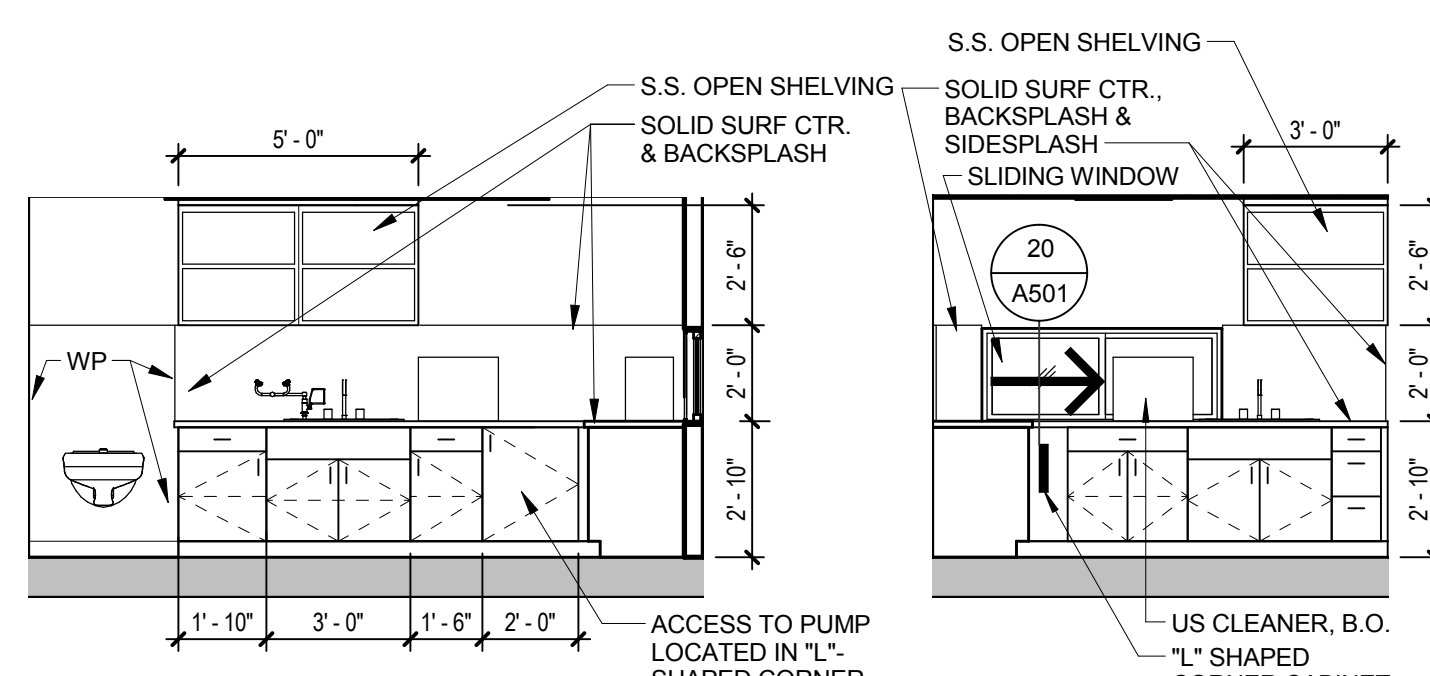
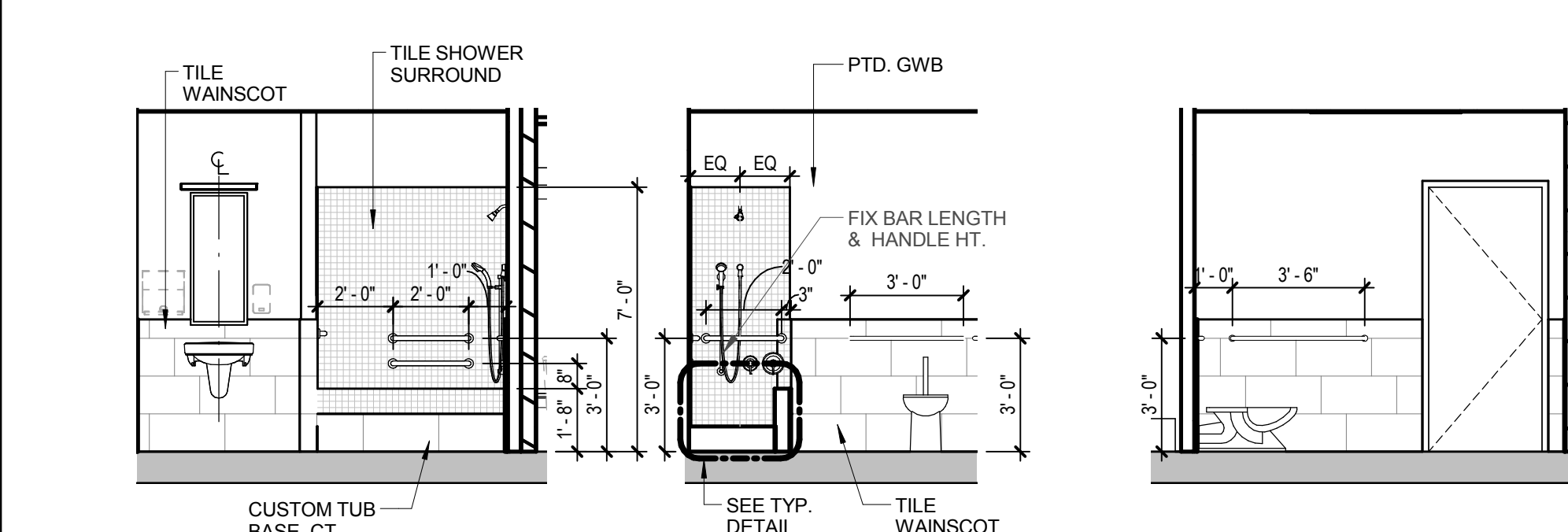


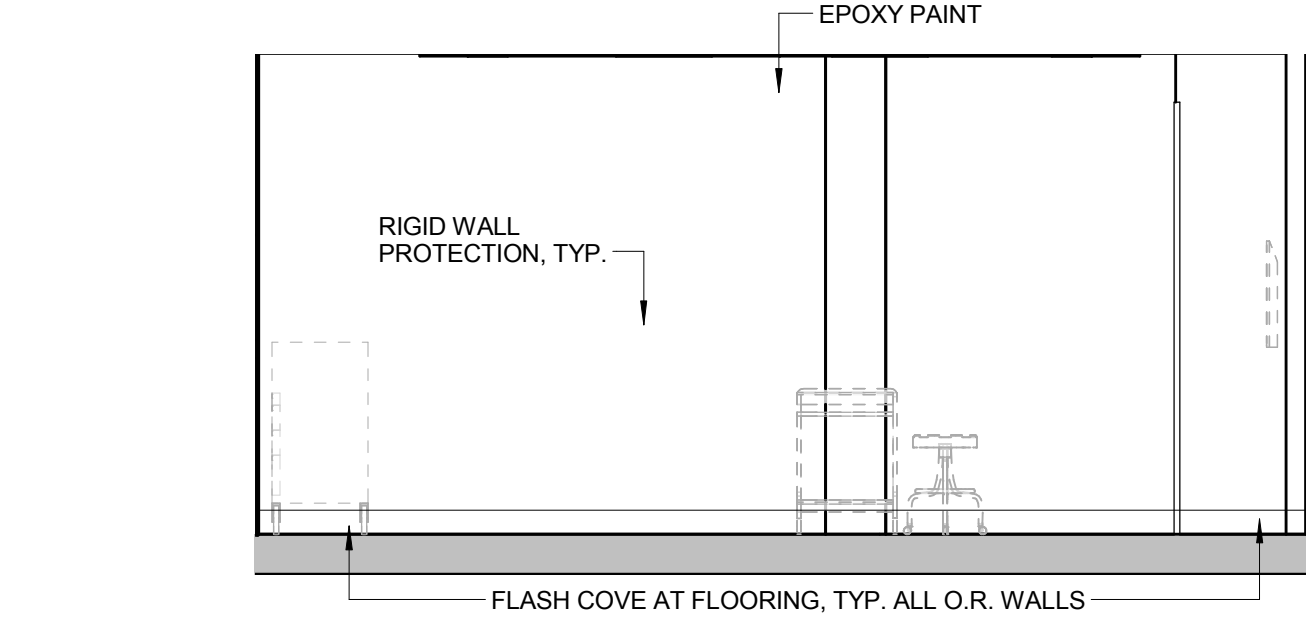
17 I.P. #129 - SOUTH 1/4" = 1'-0"  
 19 INSTR. PROCESS #129 - EAST 1/4" = 1'-0"  
 18 SOILED UTIL. #131 - NORTH ELEV. 1/4" = 1'-0"



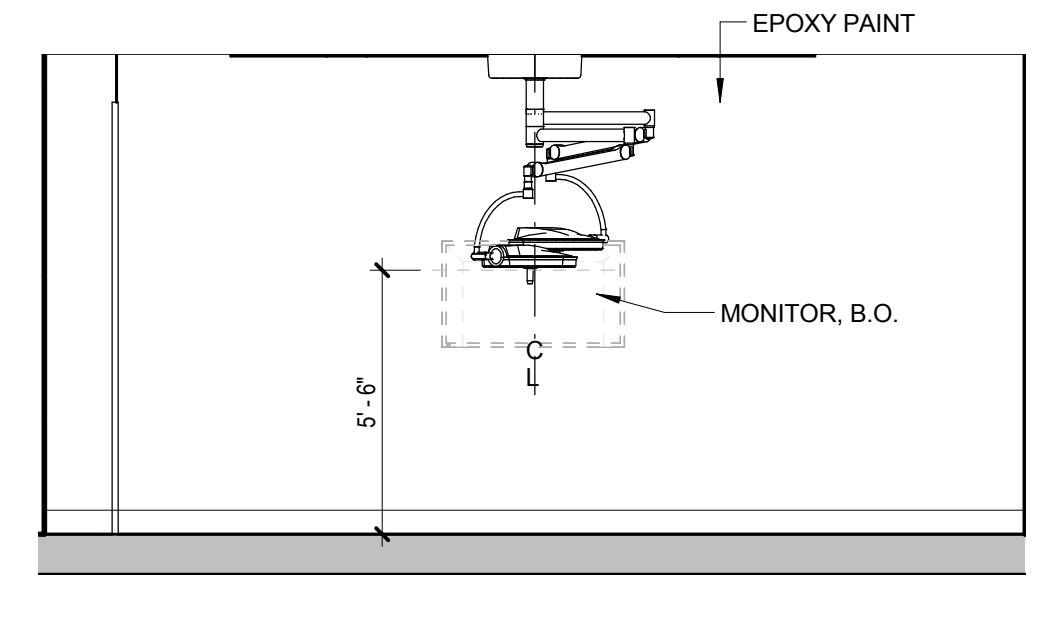
21 SOILED UTIL. #131 - SOUTH 1/4" = 1'-0"  
 20 SOILED UTIL. #131 - WEST 1/4" = 1'-0"



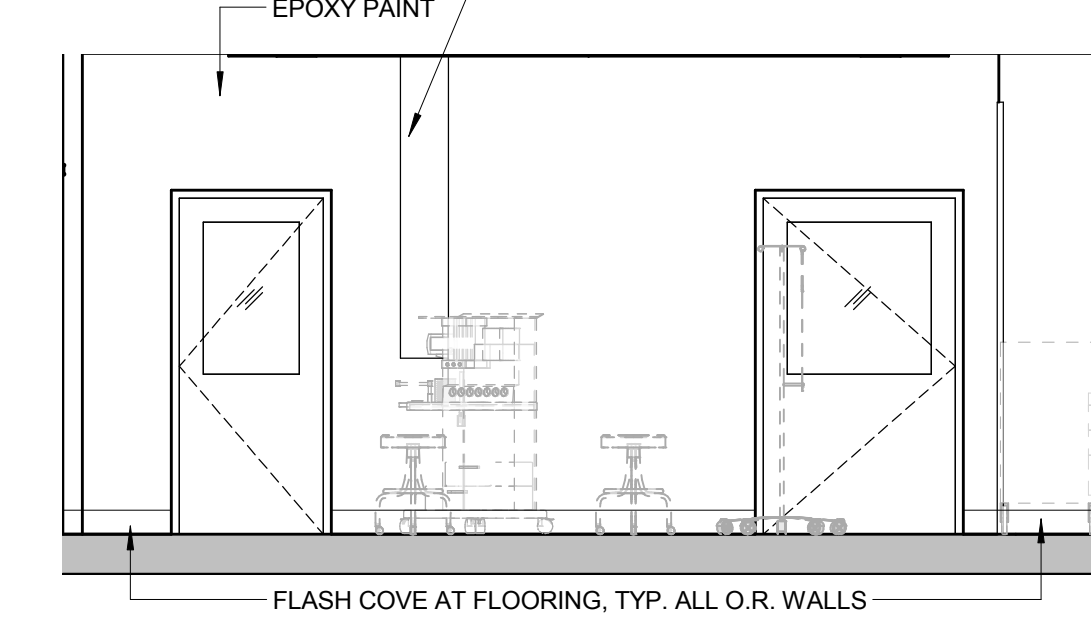
E4.9 TLT-S #139A - NORTH ELEV. 1/4" = 1'-0"  
 E4 TLT-S #139A - EAST ELEV. 1/4" = 1'-0"  
 24 TLT-S #139A - SOUTH ELEV. 1/4" = 1'-0"



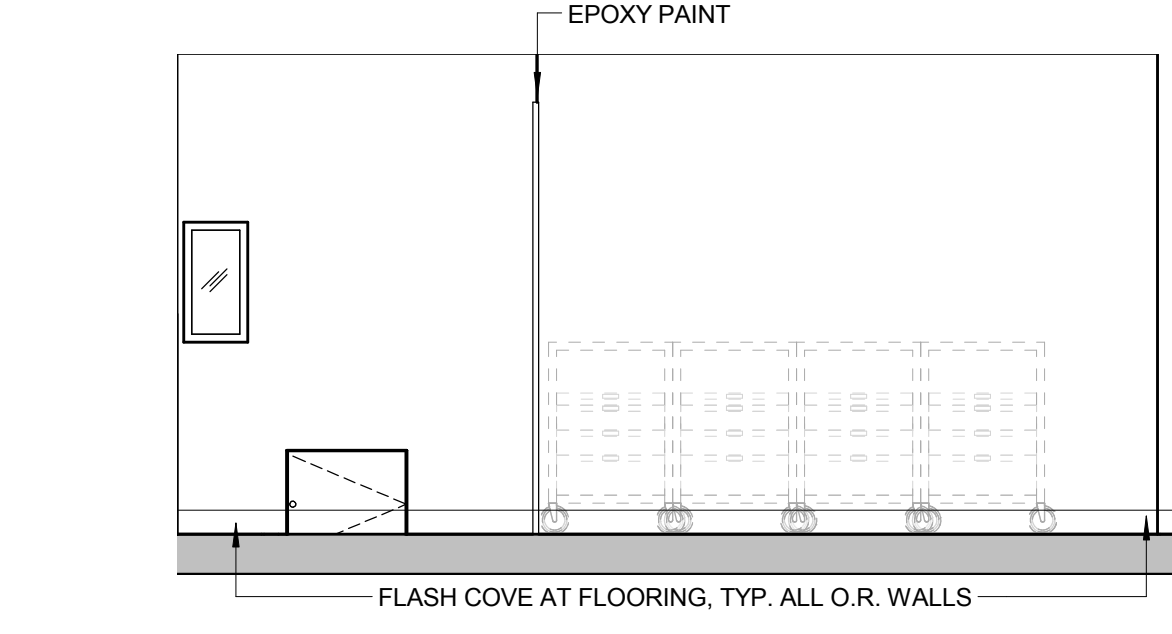
17 OR 1 - #133 - WEST ELEVATION 1/4" = 1'-0"



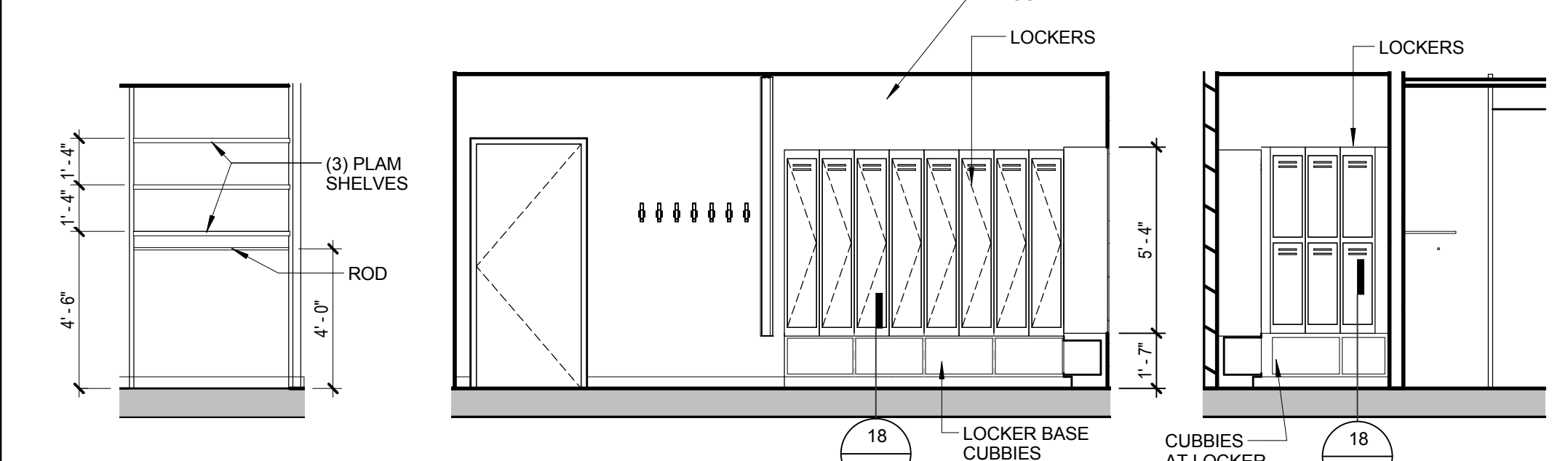
16 OR 1 - #133 - NORTH ELEVATION 1/4" = 1'-0"



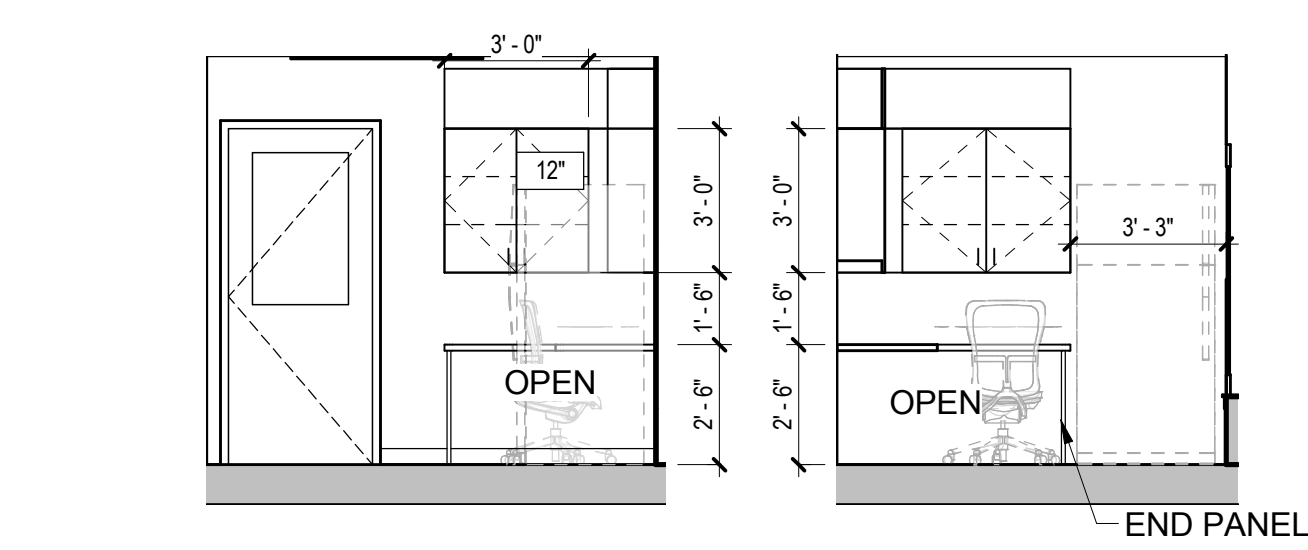
15 OR 1 - #133 - EAST ELEVATION 1/4" = 1'-0"



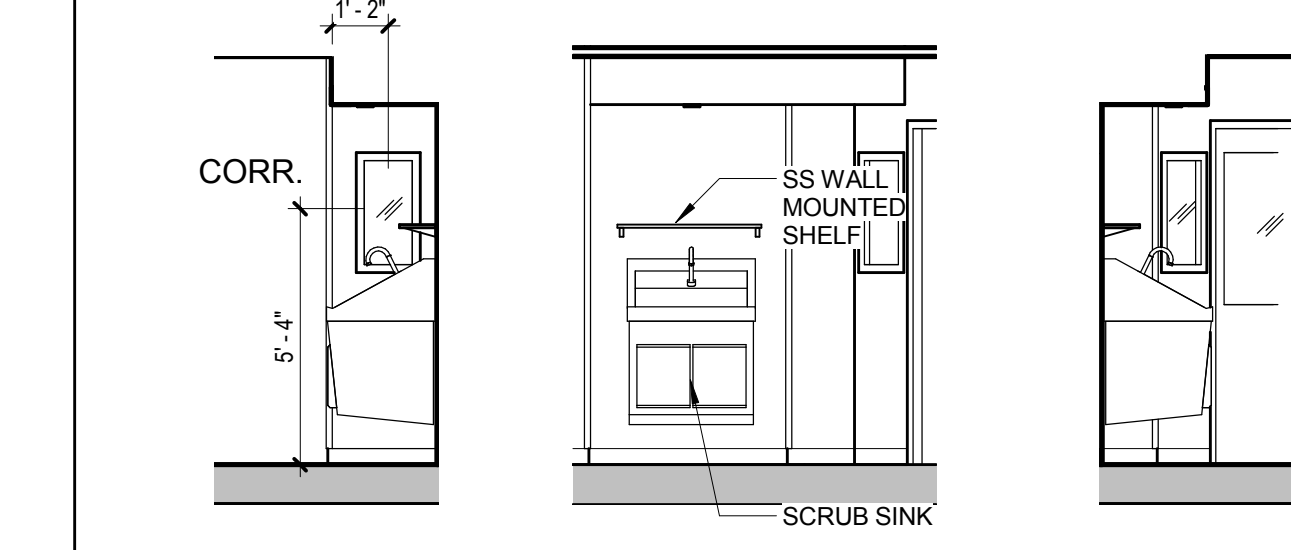
23 OR 1 - #133 - SOUTH ELEVATION 1/4" = 1'-0"



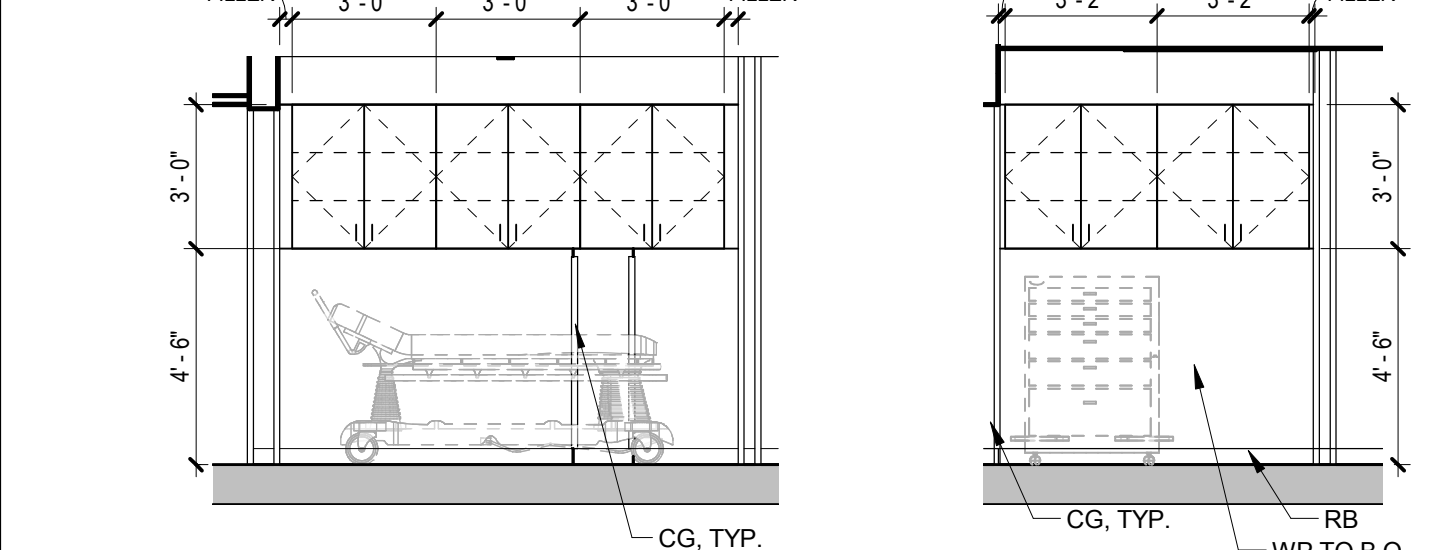
33 LINEN DROP-OFF ALCOVE 1/4" = 1'-0"  
 27 M LOCKER #139 - NORTH ELEV. 1/4" = 1'-0"  
 7 M LOCKER #139 - EAST ELEV. 1/4" = 1'-0"



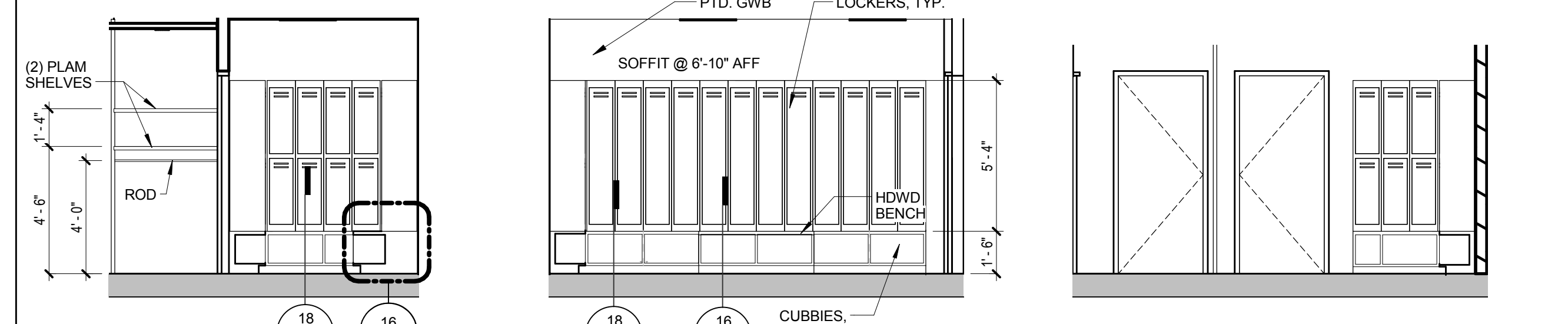
32 ANESTH. WORK #116 - SOUTH 1/4" = 1'-0"  
 22 ANESTH. WORK #116 - WEST 1/4" = 1'-0"



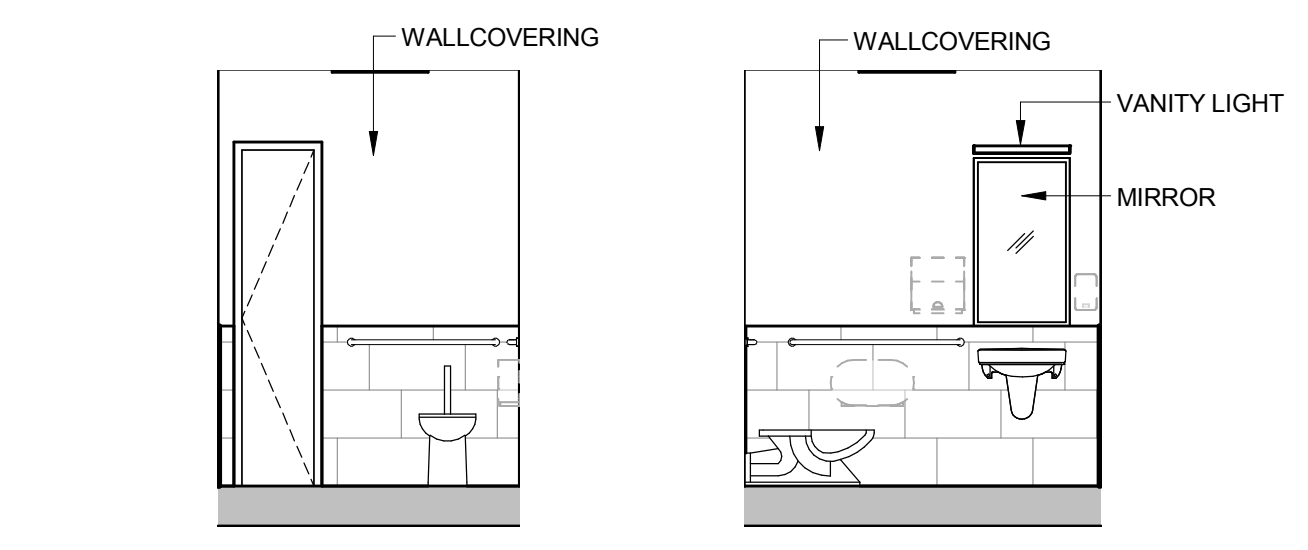
26 SCRUB - TYP. SIDE 1/4" = 1'-0"  
 25 SCRUB SINK - TYP. FRONT 1/4" = 1'-0"  
 31 SCRUB - ANGLED 1/4" = 1'-0"



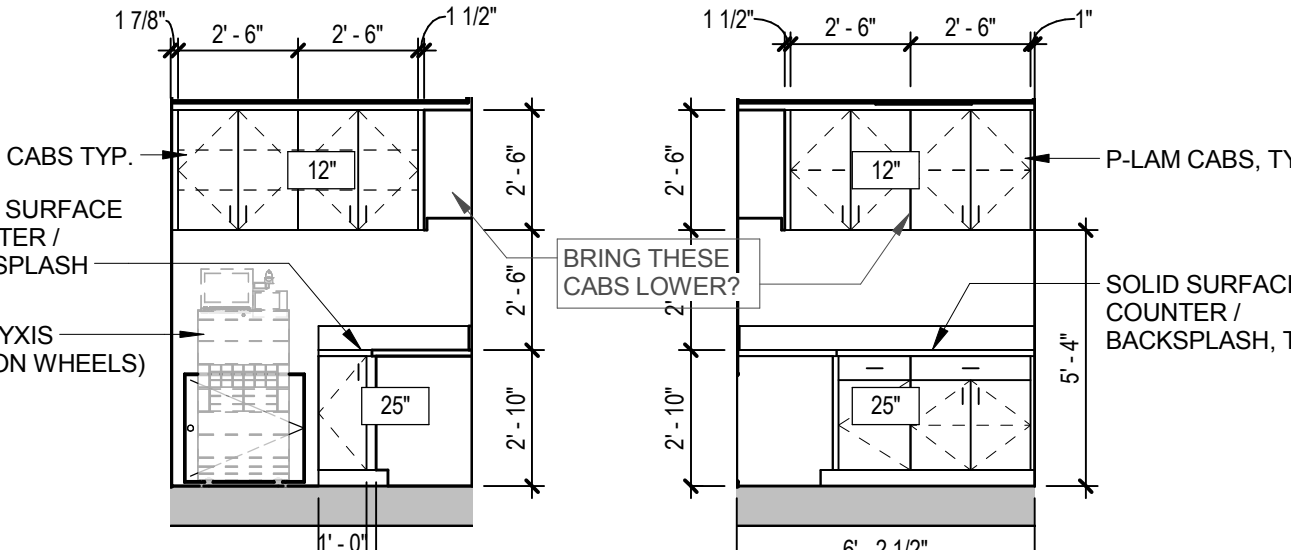
29 EQUIP ALCOVE #179 1/4" = 1'-0"  
 14 ALCOVE #123 - E. ELEV. 1/4" = 1'-0"



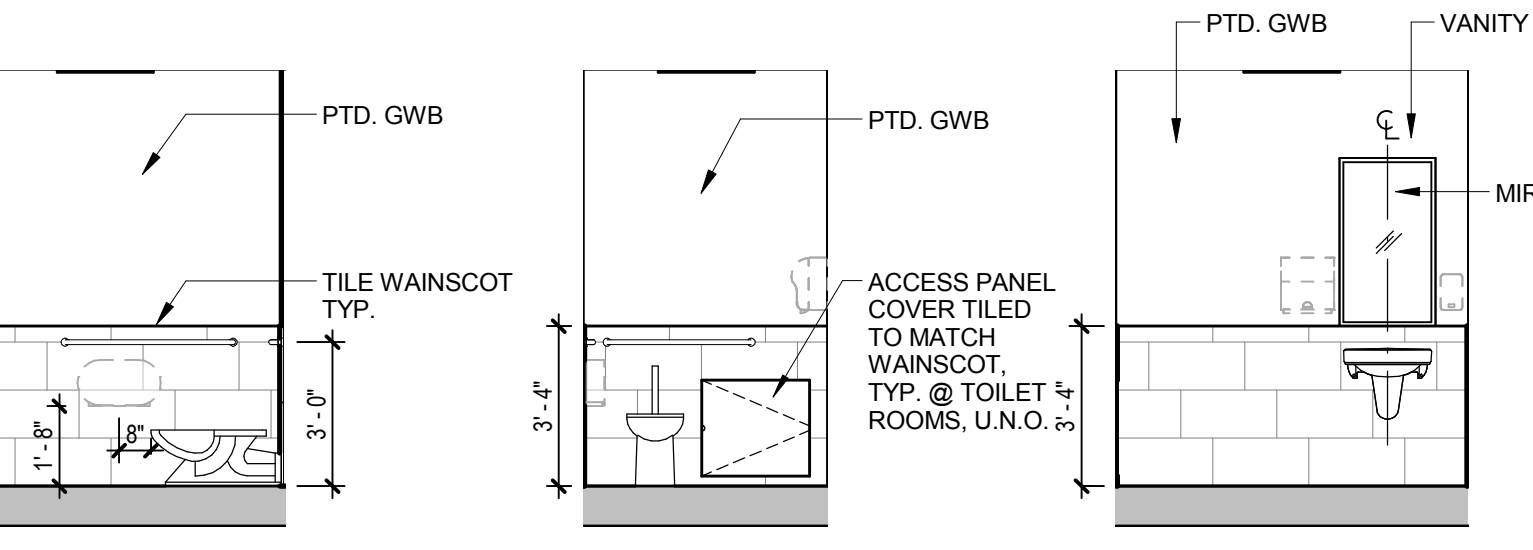
D5.9 W LOCKER #138 - EAST ELEV. 1/4" = 1'-0"  
 D5 W LOCKER #138 - SOUTH ELEV. 1/4" = 1'-0"  
 D4 W LOCKER #138 - NORTH ELEV. 1/4" = 1'-0"



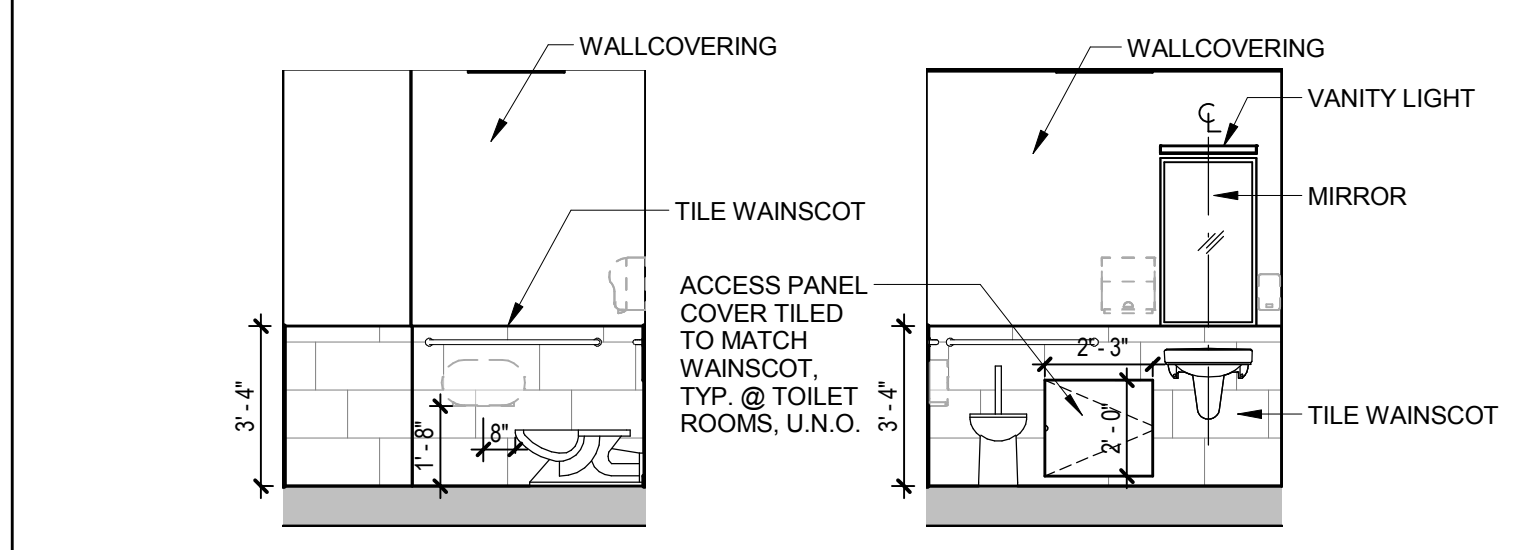
10 TLT-P #114 - EAST ELEV. 1/4" = 1'-0"  
 11 TLT-P #114 - SOUTH ELEV. 1/4" = 1'-0"



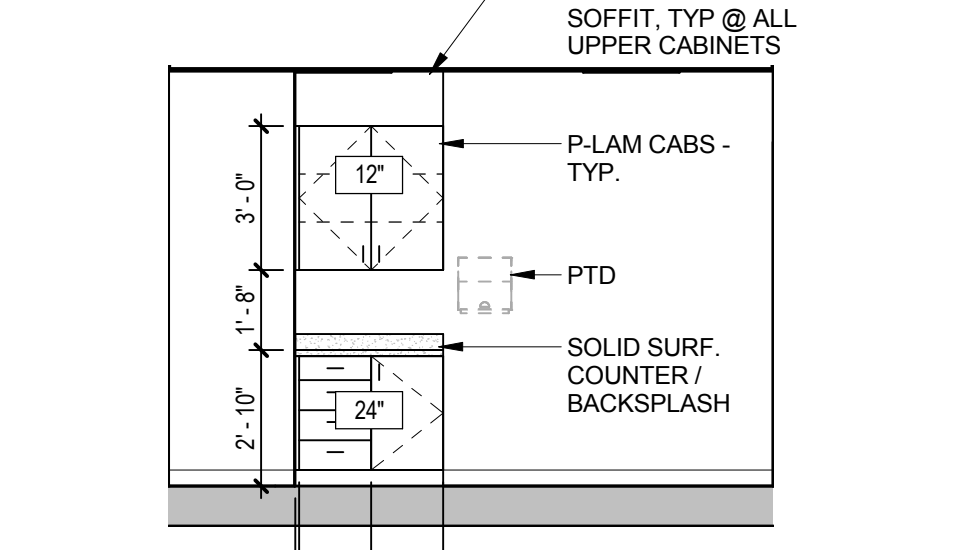
12 SUPPLY #111 - WEST ELEV. 1/4" = 1'-0"  
 13 SUPPLY #111 - NORTH ELEV. 1/4" = 1'-0"



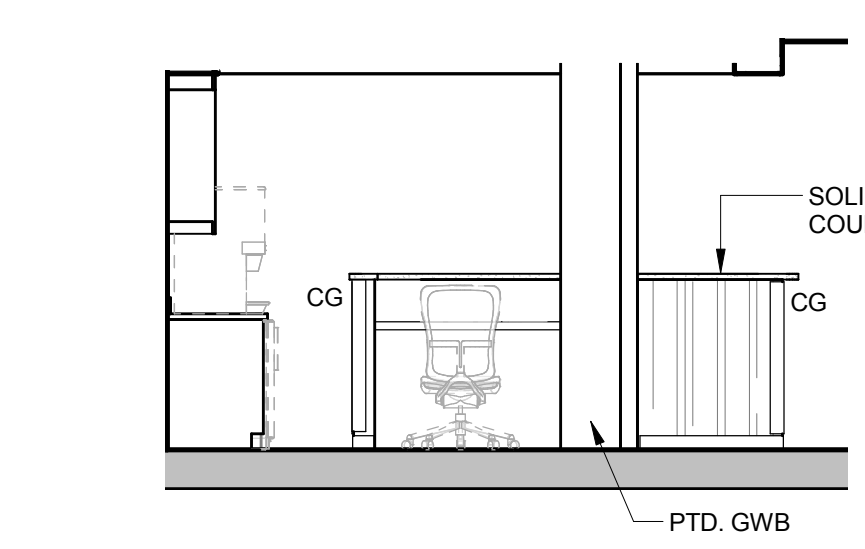
E3.9 TLT-S #119 - EAST ELEV. 1/4" = 1'-0"  
 E3 TLT-S #119 - SOUTH ELEV. 1/4" = 1'-0"  
 6 TLT-S #119 - WEST ELEV. 1/4" = 1'-0"



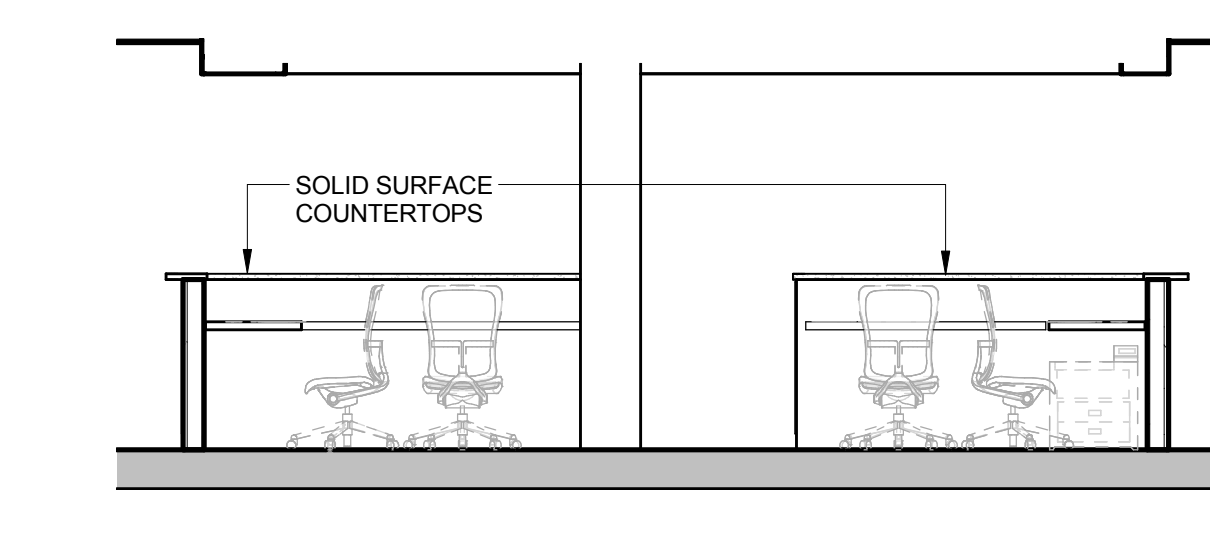
1 TLT-P #107 - WEST ELEV. 1/4" = 1'-0"  
 D3 TLT-P #107 - NORTH ELEV. 1/4" = 1'-0"



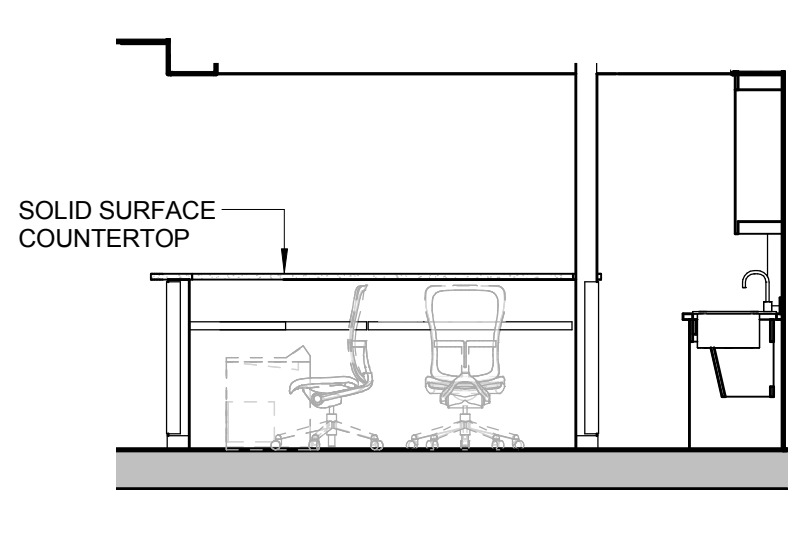
8 LASER EXAM #120 - WEST ELEV. 1/4" = 1'-0"



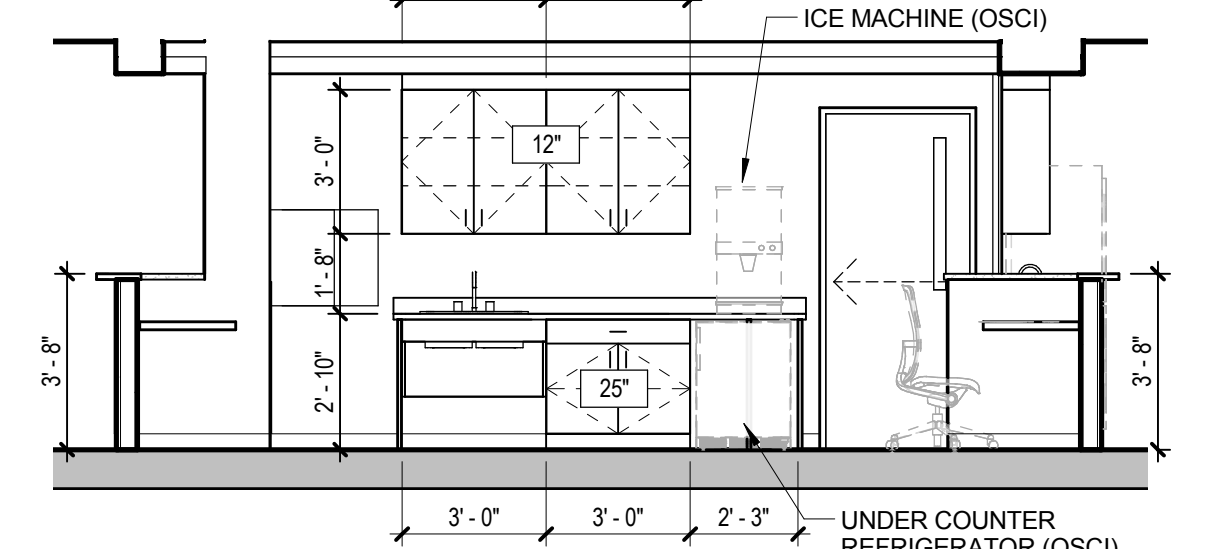
3 NURSE #109 - EAST ELEVATION 1/4" = 1'-0"



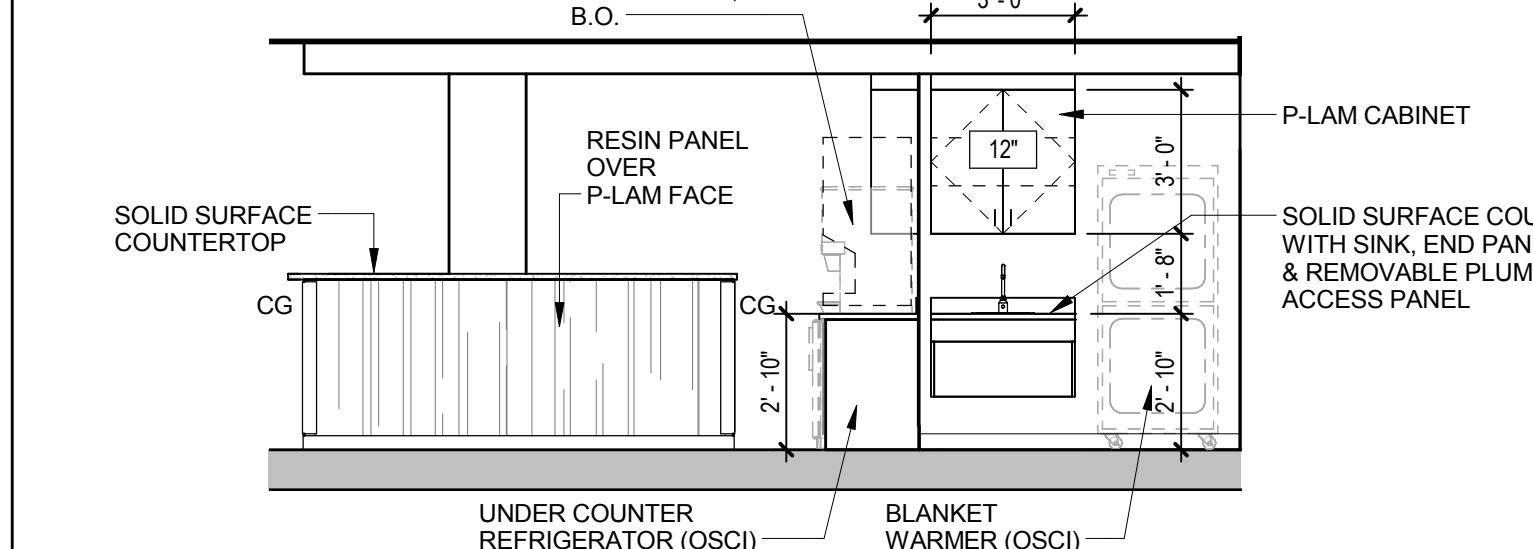
2 NURSE #109 - SOUTH ELEVATION 1/4" = 1'-0"



4 NURSE #109 - WEST ELEVATION 1/4" = 1'-0"



5 NURSE #109 - NORTH ELEVATION 1/4" = 1'-0"



9 PRE-OP #108 - WEST ELEV. 1/4" = 1'-0"

**INTERIOR GENERAL NOTES**

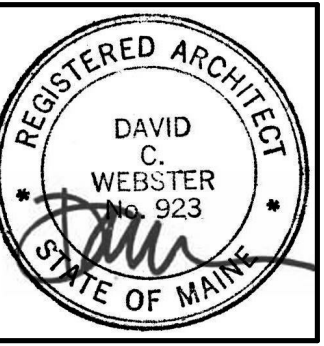
- ALL CABINETS IN CLINICAL AREAS SHALL HAVE LOCKS
- COUNTERTOPS AND WORK AREAS TO BE P-LAM TYPICAL, U.N.O SEE NOTE BELOW.
- COUNTERTOPS IN WET AREAS, OR CONTAINING SINKS WILL BE SOLID SURFACE.
- EQUIPMENT AND FURNITURE NOT INCLUDED IN PROJECT SCOPE SHOWN DASHED AND HALF TONE. FOR REFERENCE ONLY.
- EXTEND ALL FLOORING BENEATH ALL CABINET ASSEMBLIES.
- REFER TO ELECTRICAL PLANS FOR UNDERCOUNTER LIGHTING.
- INSTALL BLOCKING BEHIND ALL SURFACE-APPLIED FIXTURES, TRIM, GRAB BARS, TP/TISSUE DISPENSERS, SHELVES, CRASH RAILS, BASE MOLDINGS, TACK OR MARKER BOARDS, WINDOW TREATMENT, WALL OR BASE CABINETS OR COUNTERS, AND MISCELLANEOUS ACCESSORIES MOUNT ON STUD WALLS.
- SEE ADD FOR TYPICAL MOUNTING HEIGHTS AND PLANS OF TOILET ROOMS, FIXTURES, AND ACCESSORIES.
- CONTRACTOR SHALL INSTALL OWNER SUPPLIED ITEMS INCLUDING, BUT NOT LIMITED TO:
 

BATHROOM ACCESSORIES:	APPLIANCES:
• SOAP DISPENSERS	• REFRIGERATORS
• PAPER TOWEL DISPENSERS	• DISHWASHERS
• TOILET PAPER DISPENSERS	• TACK BOARDS
• HAND SANITIZER DISPENSERS	• WHITE BOARDS
• SHARPS CONTAINERS	• TELEVISION
• GLOVE BOX HOLDERS / DISPENSERS	• MONITORS & SUPPORT BRACKETS
- OTHER WALL MTD. ACCESSORIES:
  - HAND SANITIZER DISPENSERS
  - SHARPS CONTAINERS
  - GLOVE BOX HOLDERS / DISPENSERS

NOTE: VERIFY QUANTITY AND LOCATIONS IN FIELD WITH OWNER.

14" CASEWORK DEPTH TAG APPLIES TO COUNTERS WHERE THERE IS NO CASEWORK

#	Date	Description
1		Revision Schedule



JOB NO. 15088

DRWN: CHK: SMD RSC

SCALE:

ISSUE PERMIT SET - 95% CONSTRUCTION DOCUMENTS  
 04.12.16

TITLE: INTERIOR ELEVATIONS

SHEET

**A210**