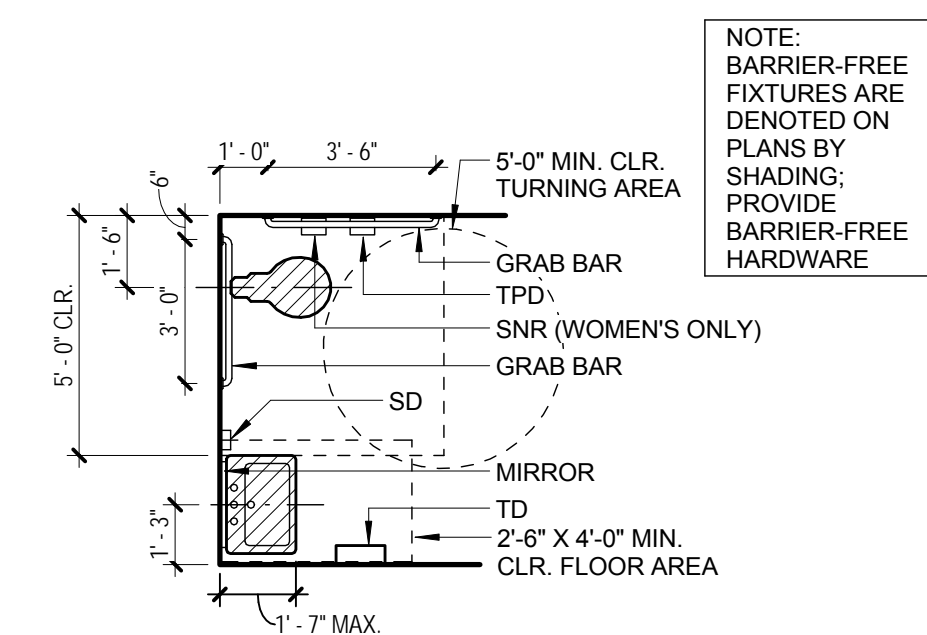
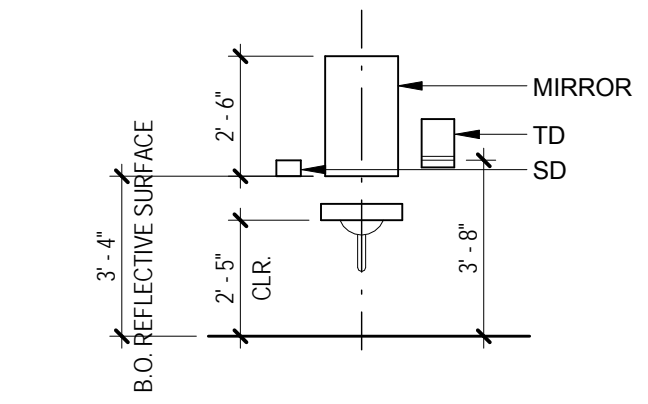


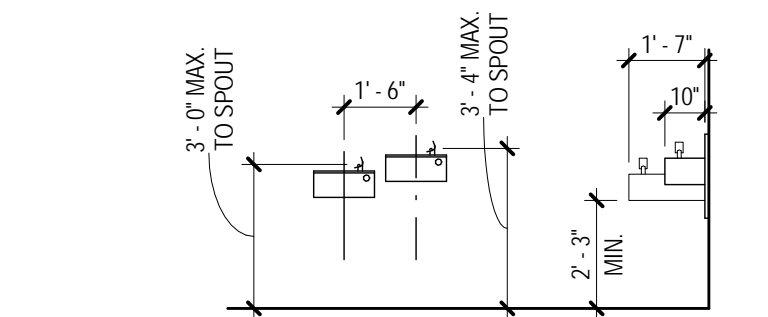
TYPICAL BARRIER FREE WATER CLOSET ASSEMBLY ELEVATION  
**3 TYP. BARRIER FREE WATER CLOSET ASSEMBLY ELEV.**  
 1/4" = 1'-0"



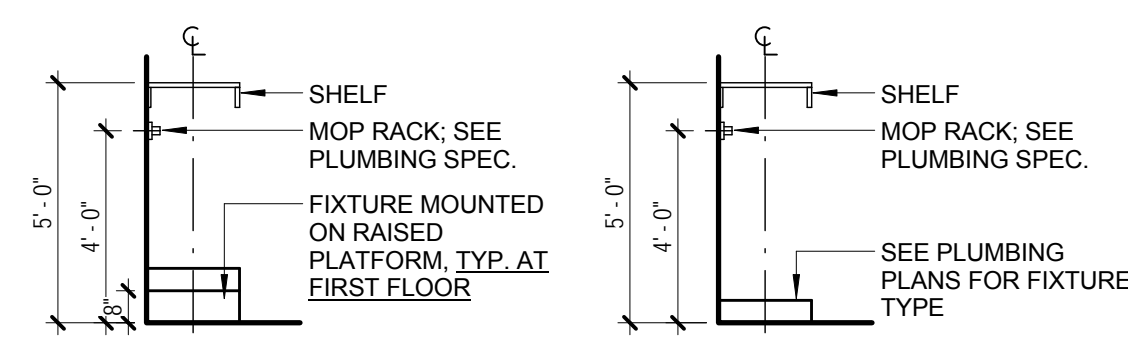
**E1 TYPICAL BARRIER FREE SINGLE TOILET PLAN**  
 1/4" = 1'-0"



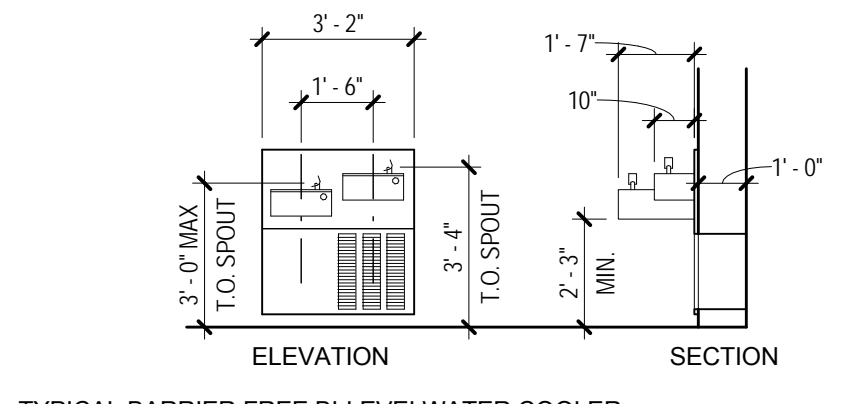
**2 TYP. BARRIER FREE LAVATORY ASSEMBLY ELEV.**  
 1/4" = 1'-0"



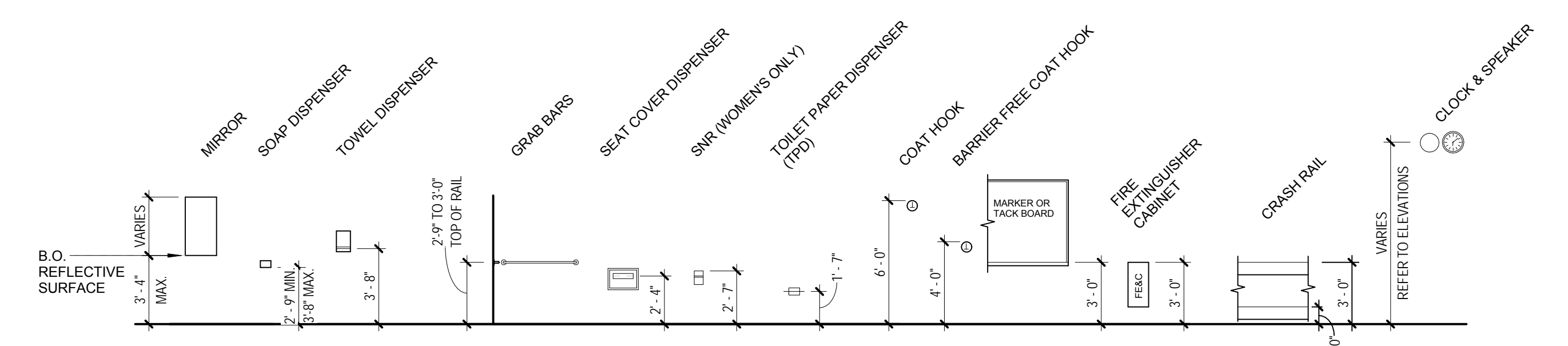
TYPICAL BARRIER FREE BI-LEVEL DRINKING FOUNTAIN



**B2 JANITOR'S CLOSET ASSEMBLY ELEVATIONS**  
 1/4" = 1'-0"



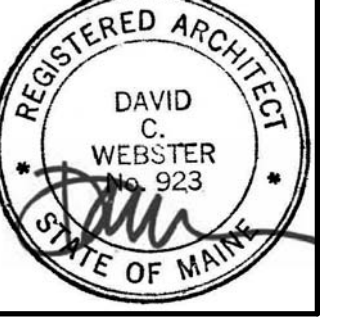
**1 TYPICAL BARRIER FREE FOUNTAINS**  
 1/4" = 1'-0"



**A1 TYPICAL MOUNTING HEIGHTS**  
 3/16" = 1'-0"

- MOUNTING HEIGHT GENERAL NOTES:**
- SEE MECHANICAL, ELECTRICAL, AND TECHNOLOGY DRAWINGS FOR SPECIFIC FIXTURE OR DEVICE LOCATION AND DESIGNATION AND ADDITIONAL MOUNTING REQUIREMENTS.
  - COORDINATE LOCATION OF ALL RECEPTACLES, FIXTURES OR DEVICES WITH INTERIOR ELEVATIONS AND CASEWORK LOCATIONS.
  - REFER TO MANUFACTURER'S INSTRUCTIONS FOR SPECIFIC ADA REQUIRED MOUNTING HEIGHTS AS APPLICABLE.

#	Date	Description
Revision Schedule		



JOB NO.  
15088

DRWN: CHK:  
SMD RSC

SCALE:

ISSUE  
PERMIT SET - 95%  
CONSTRUCTION  
DOCUMENTS  
04.12.16

TITLE:  
TYPICAL  
MOUNTING  
HEIGHTS

SHEET  
**A002**