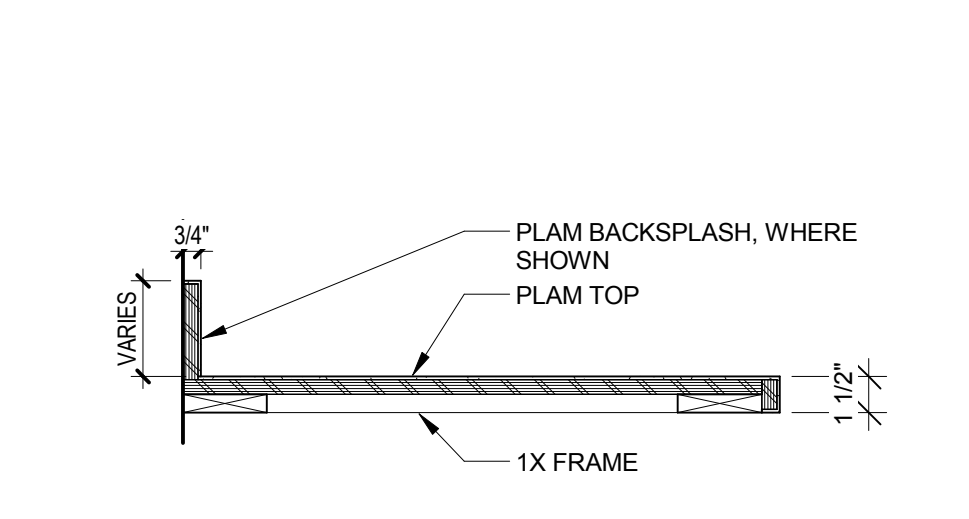
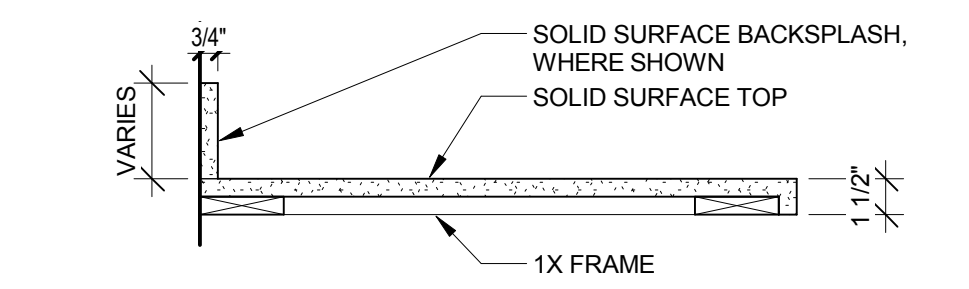


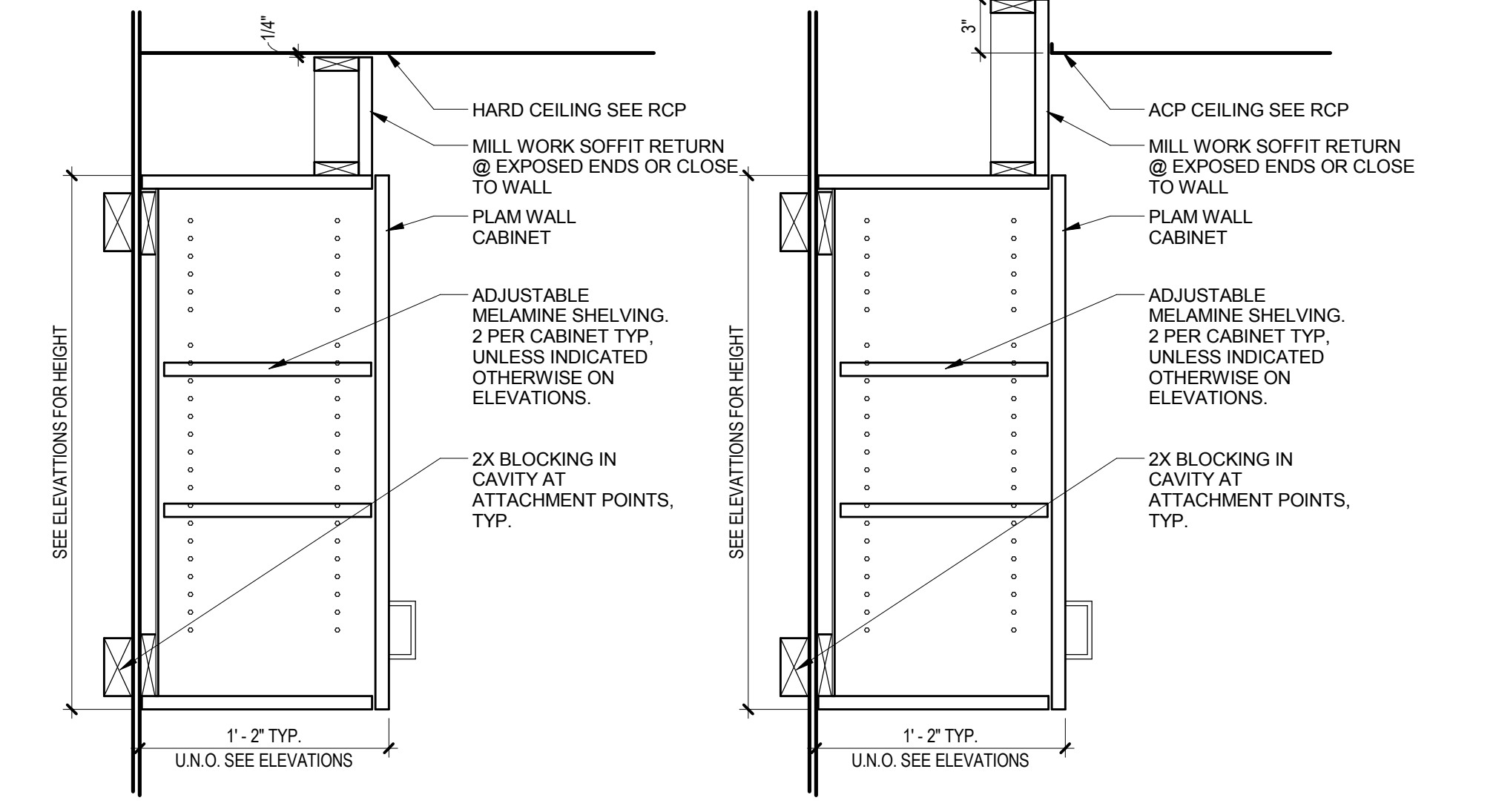
12 TYP. COAT ROD AND SHELVE
 1 1/2" = 1'-0"



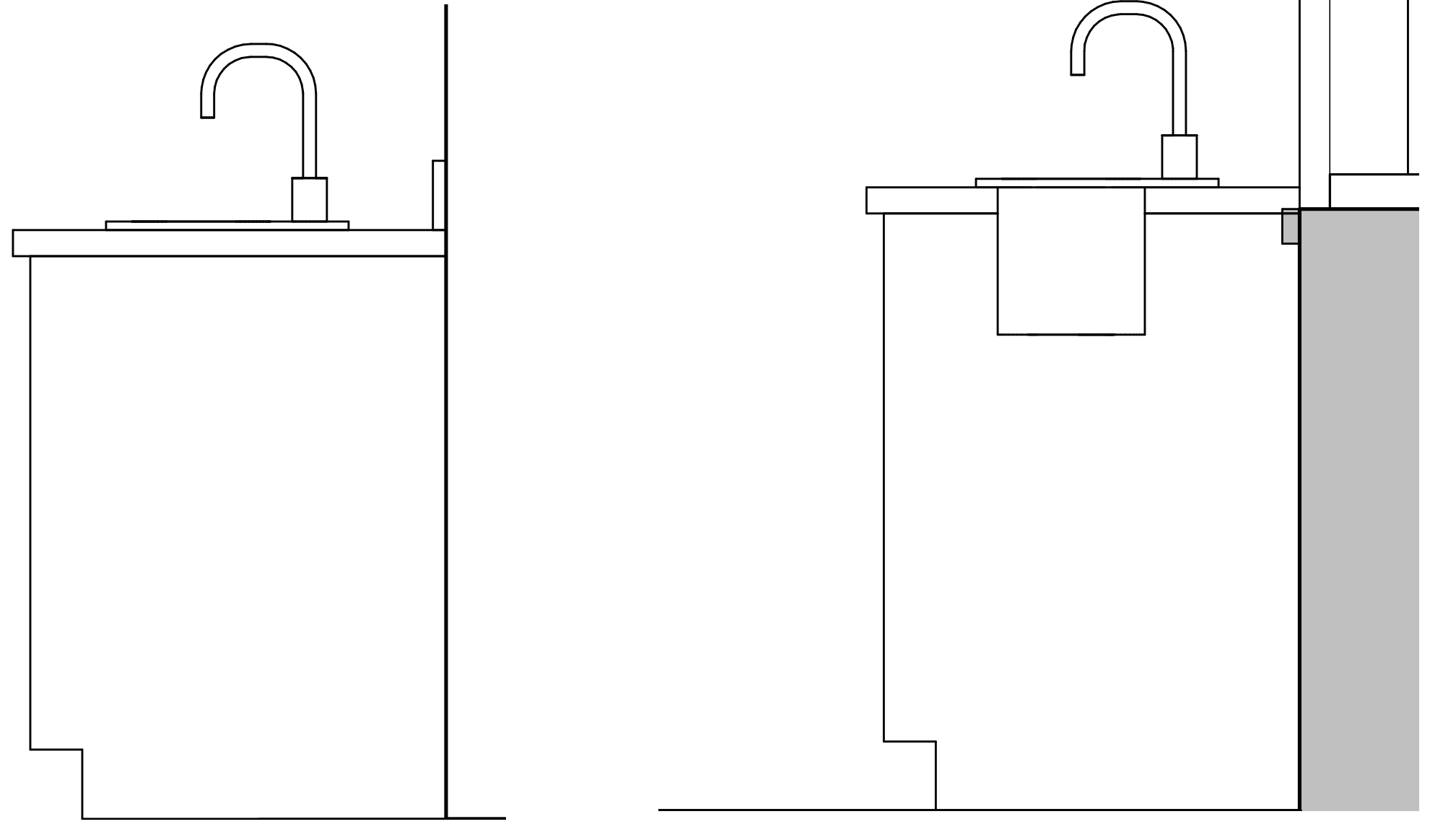
9 TYPICAL PLAM COUNTER
 1 1/2" = 1'-0"



8 TYPICAL SOLID SURFACE COUNTERTOP
 1 1/2" = 1'-0"

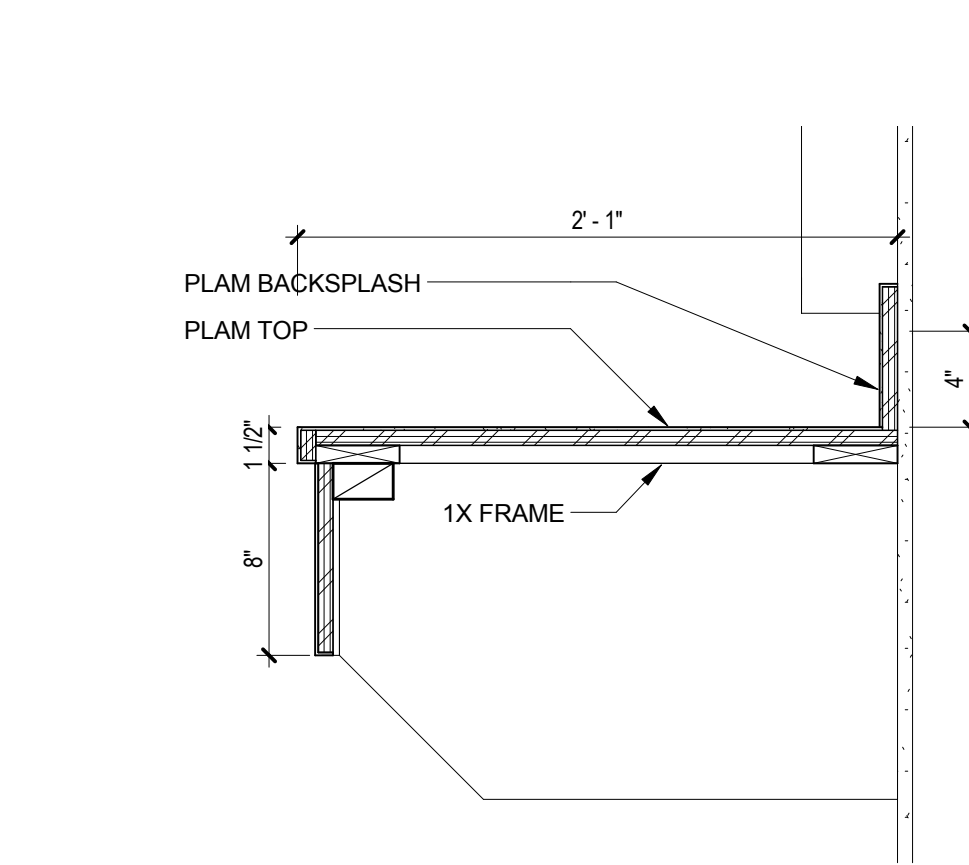


10 UPPER CABINET
 1 1/2" = 1'-0"

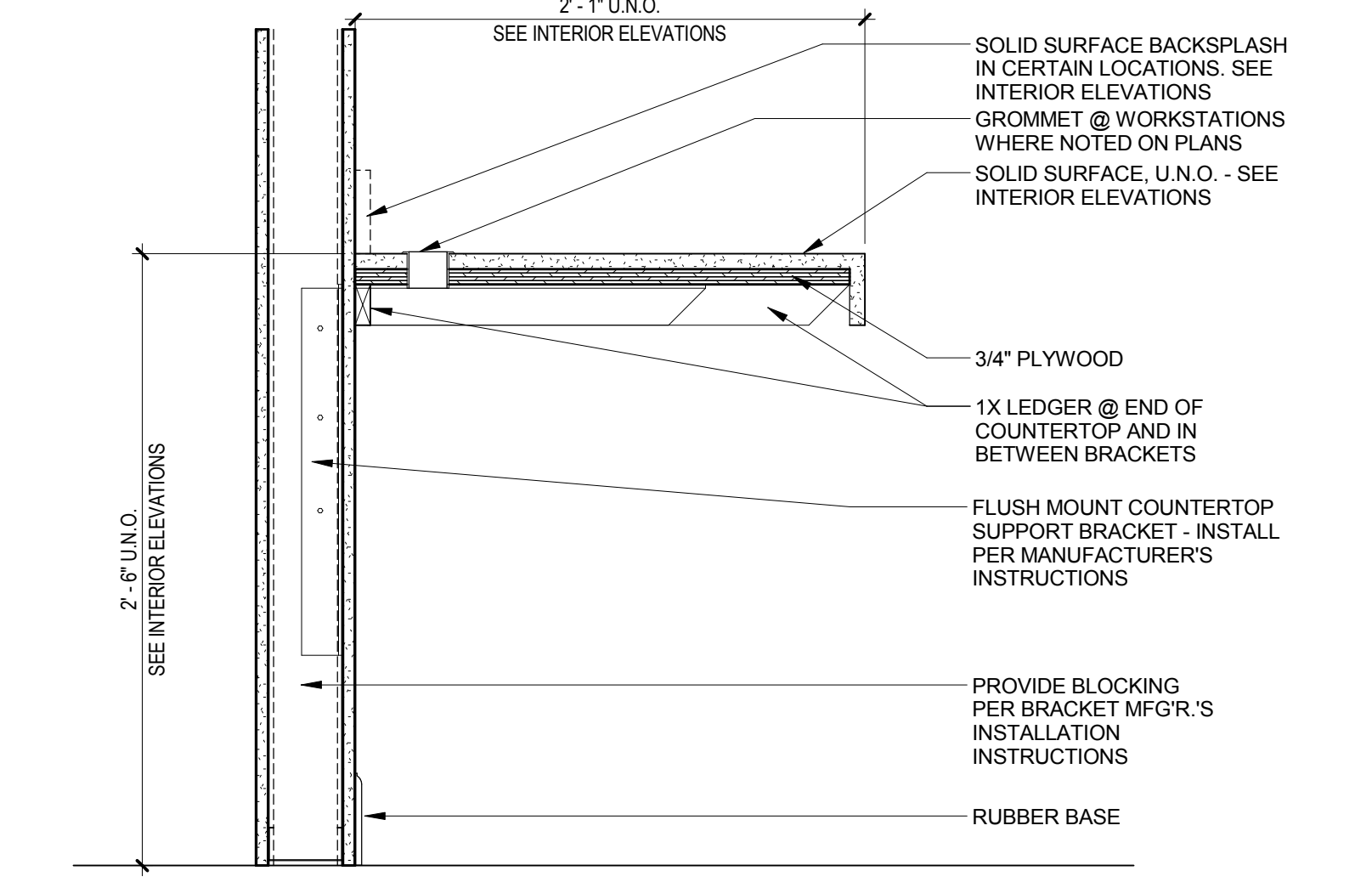


15 ADA CABINET DOORS
 1 1/2" = 1'-0"

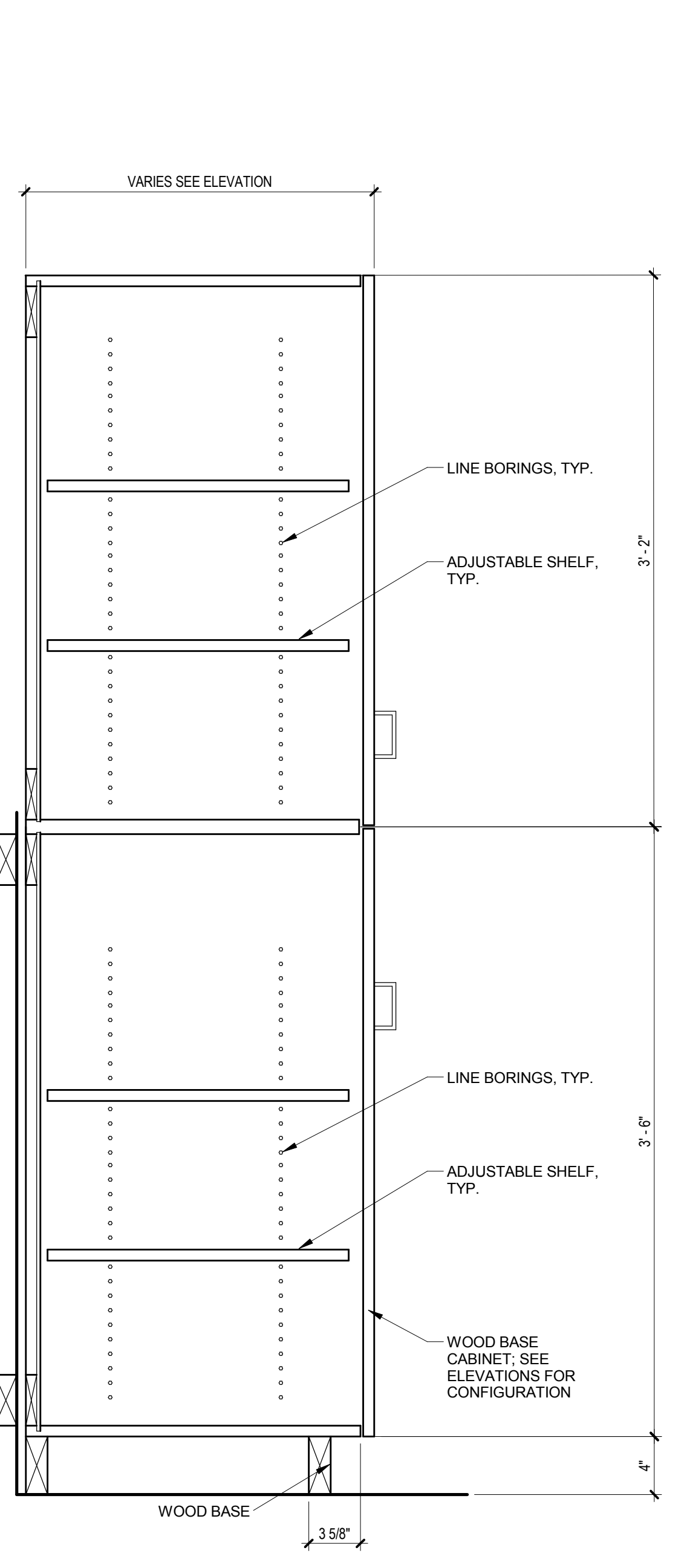
Detail 3
 1 1/2" = 1'-0"



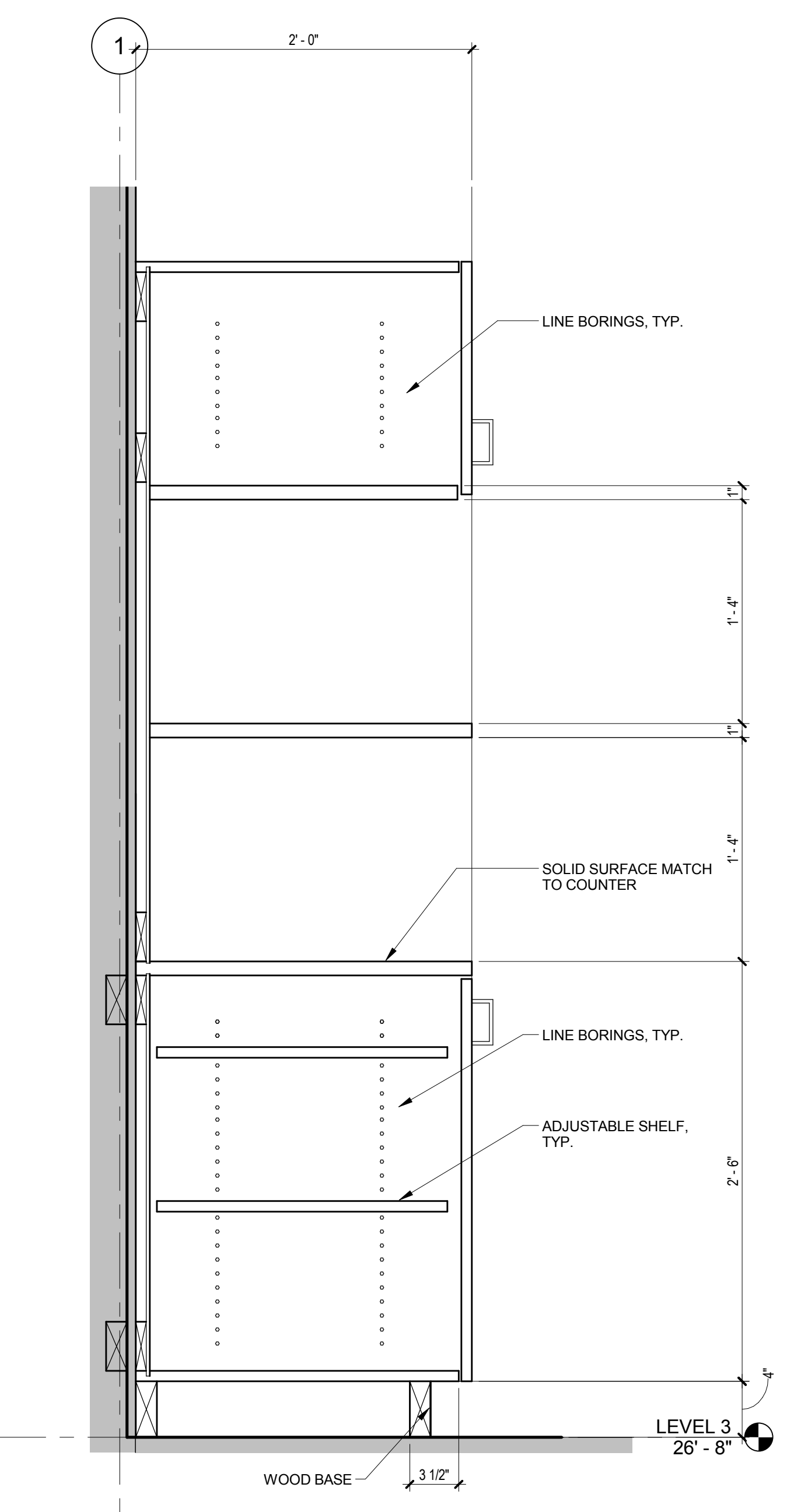
13 TYPICAL EXAM ROOM COUNTER
 1 1/2" = 1'-0"



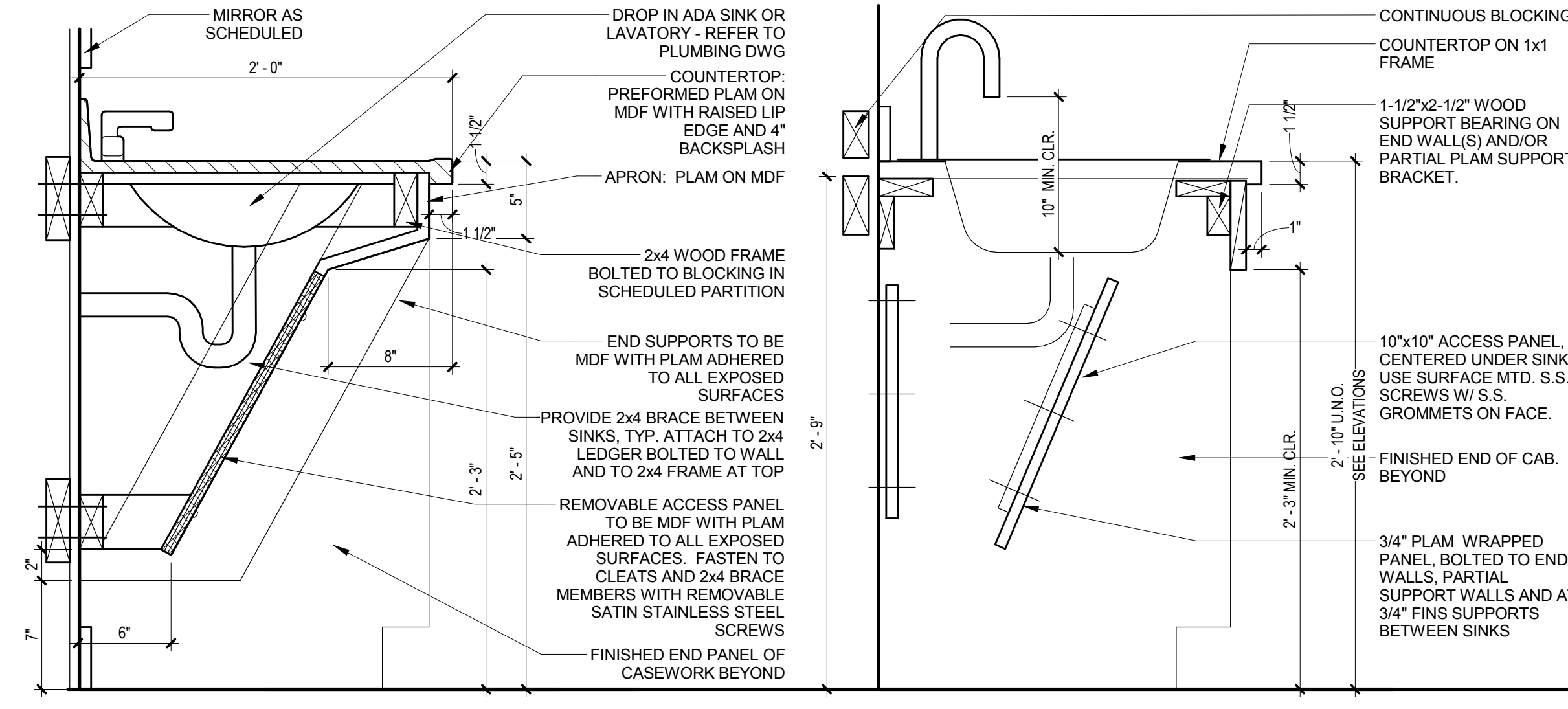
7 TYPICAL COUNTER
 1 1/2" = 1'-0"



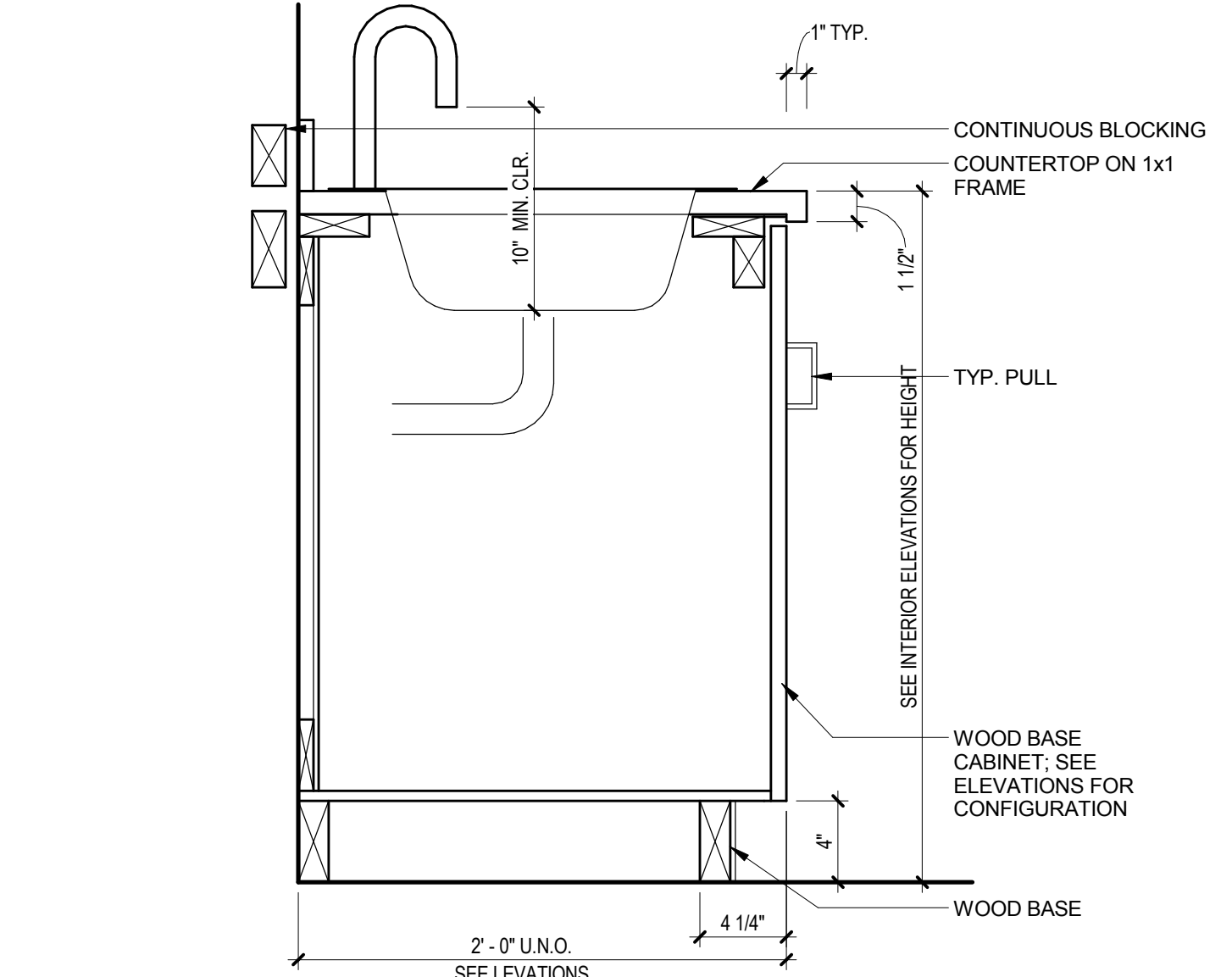
2 FULL HEIGHT CABINET
 1 1/2" = 1'-0"



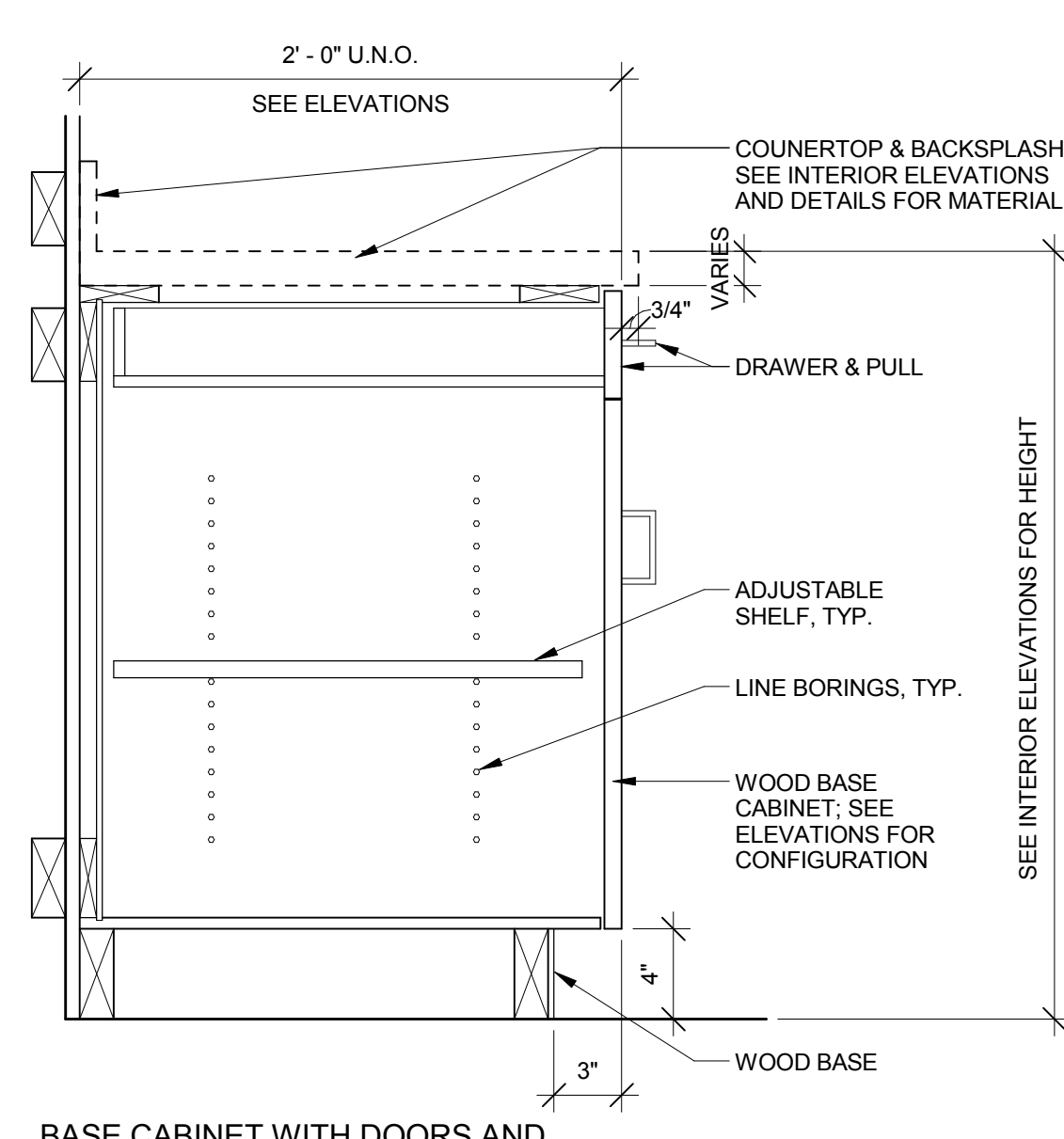
11 TALL CASEWORK W/ MICROWAVES
 1 1/2" = 1'-0"



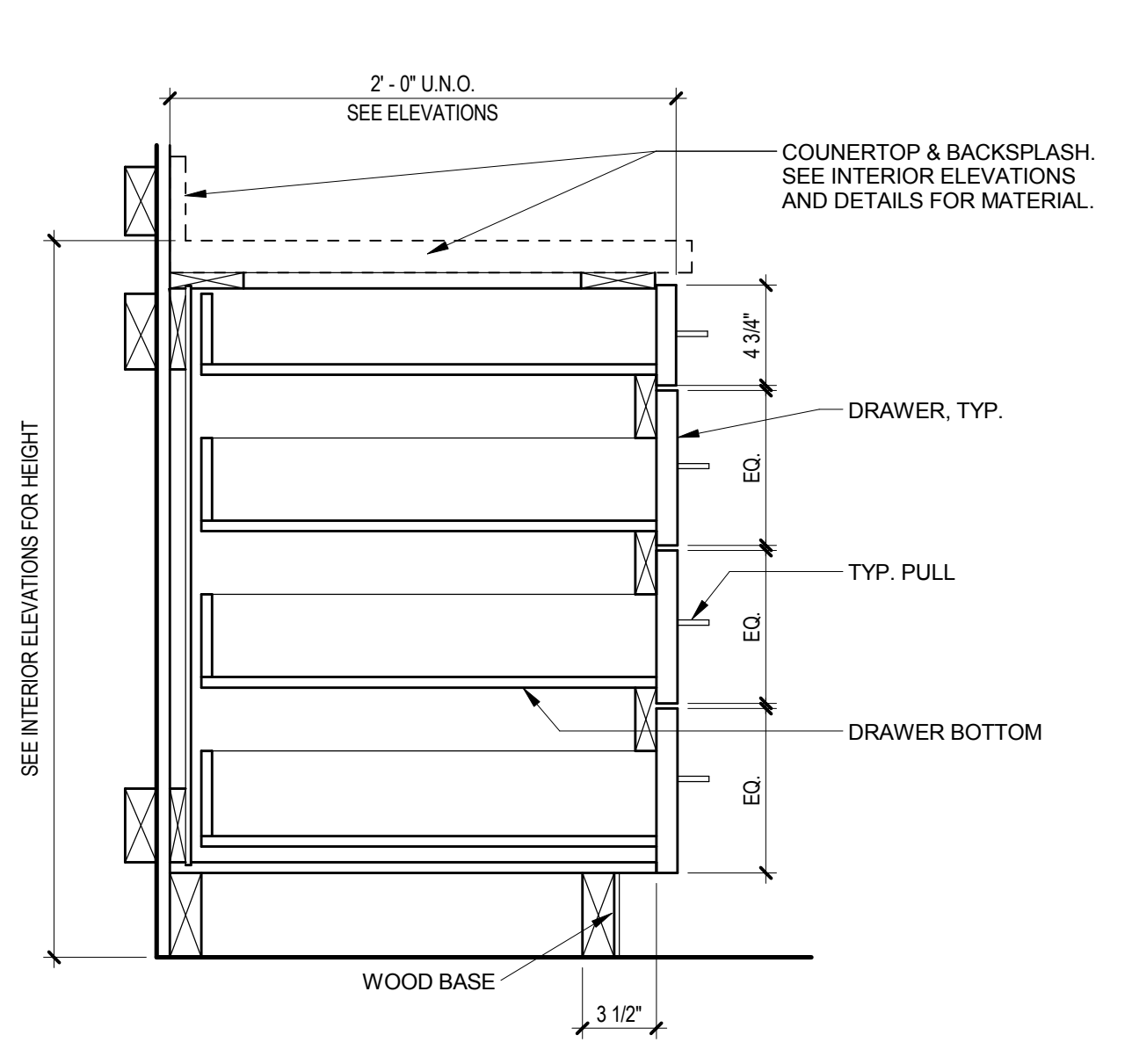
5 ACCESSIBLE SINK DETAIL
 1 1/2" = 1'-0"



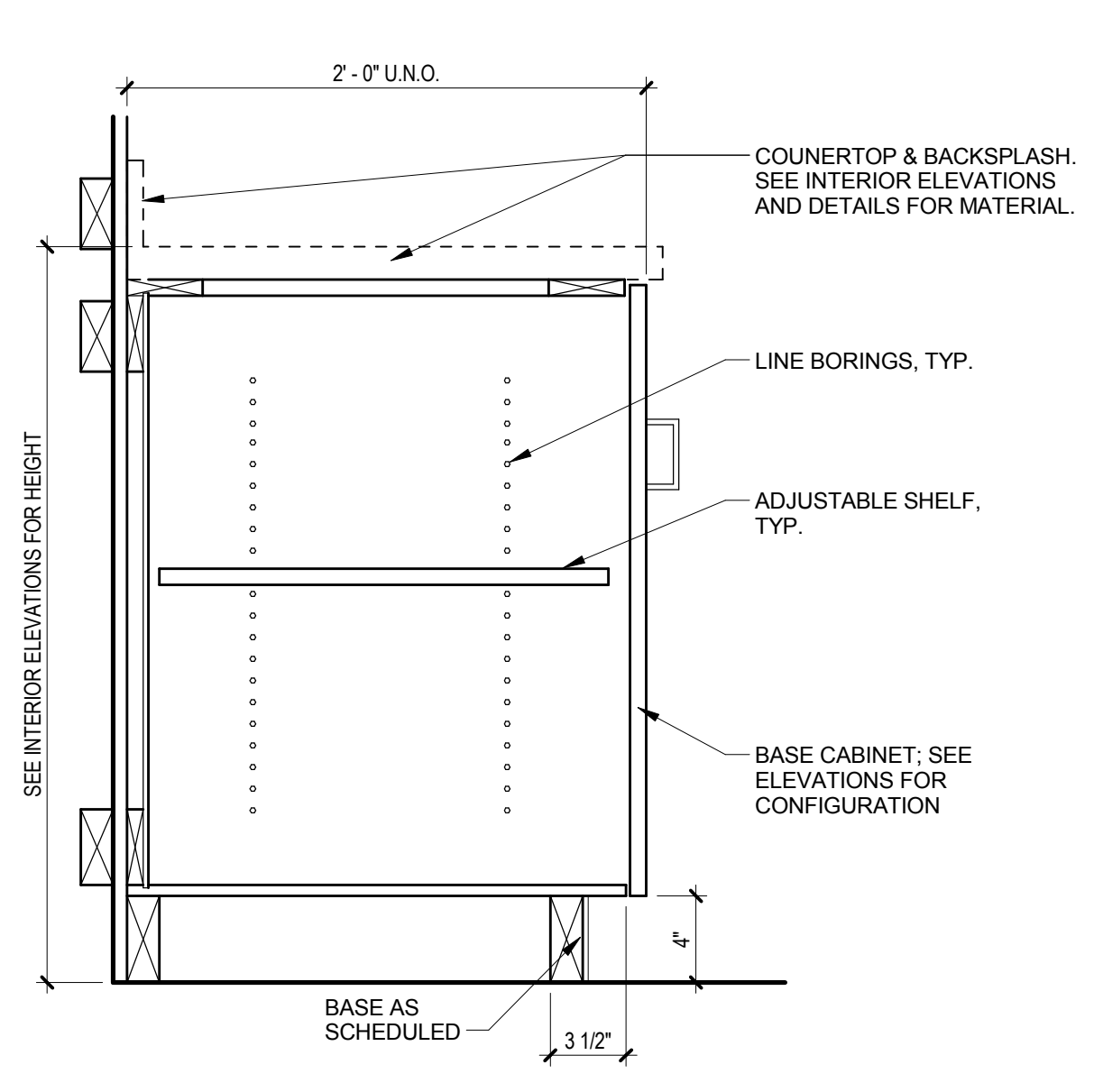
6 SINK BASE
 1 1/2" = 1'-0"



4 BASE CABINET WITH DOORS AND DRAWER
 1 1/2" = 1'-0"



3 BASE CABINET WITH DRAWERS
 1 1/2" = 1'-0"



1 BASE CABINET
 1 1/2" = 1'-0"