

E

D

C

B

A

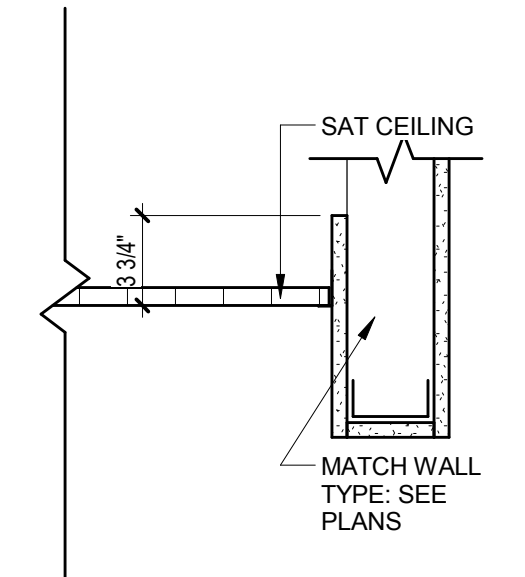
3/18/2016 5:17:31 PM



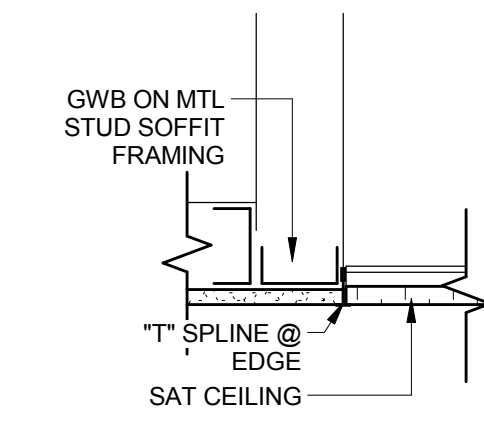
48 DARTMOUTH STREET
PORTLAND, MAINE 04101
207-775-1059
www.pdtarchts.com

COPYRIGHT 2016
PDT Architects
Reuse or reproduction of the
contents of this document is not
permitted without written
permission of PDT Architects.

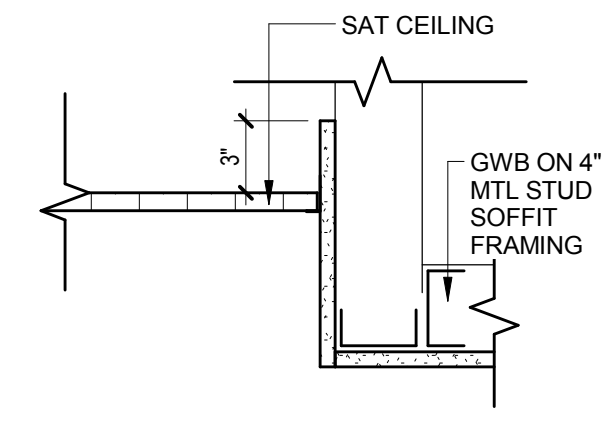
PORTLAND GASTROENTEROLOGY CENTER
161 Marginal Way Portland, Maine



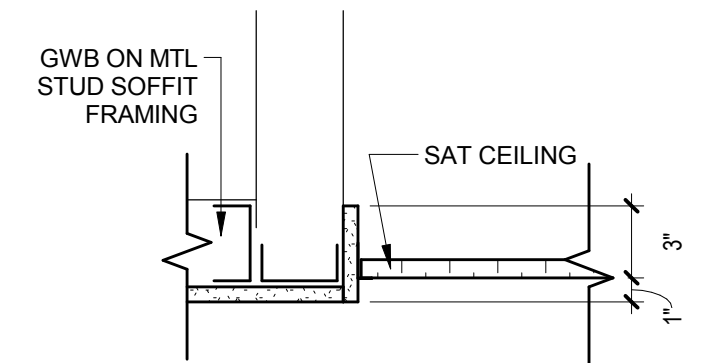
5 CEILING DETAIL - SAT TO GWB SOFFIT
1 1/2" = 1'-0"



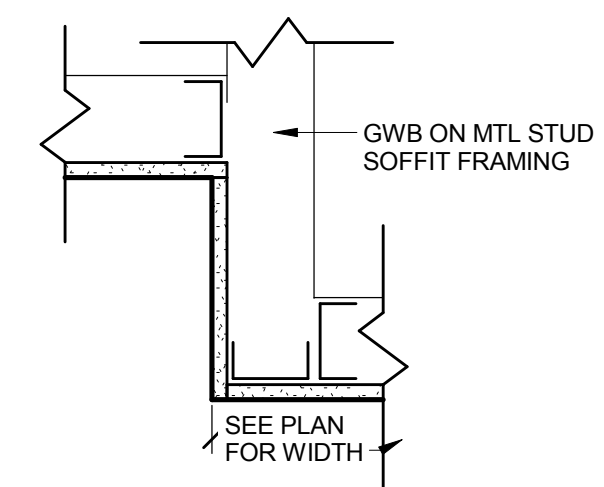
4 CEILING DETAIL - SAT TO GWB ALIGNED
1 1/2" = 1'-0"



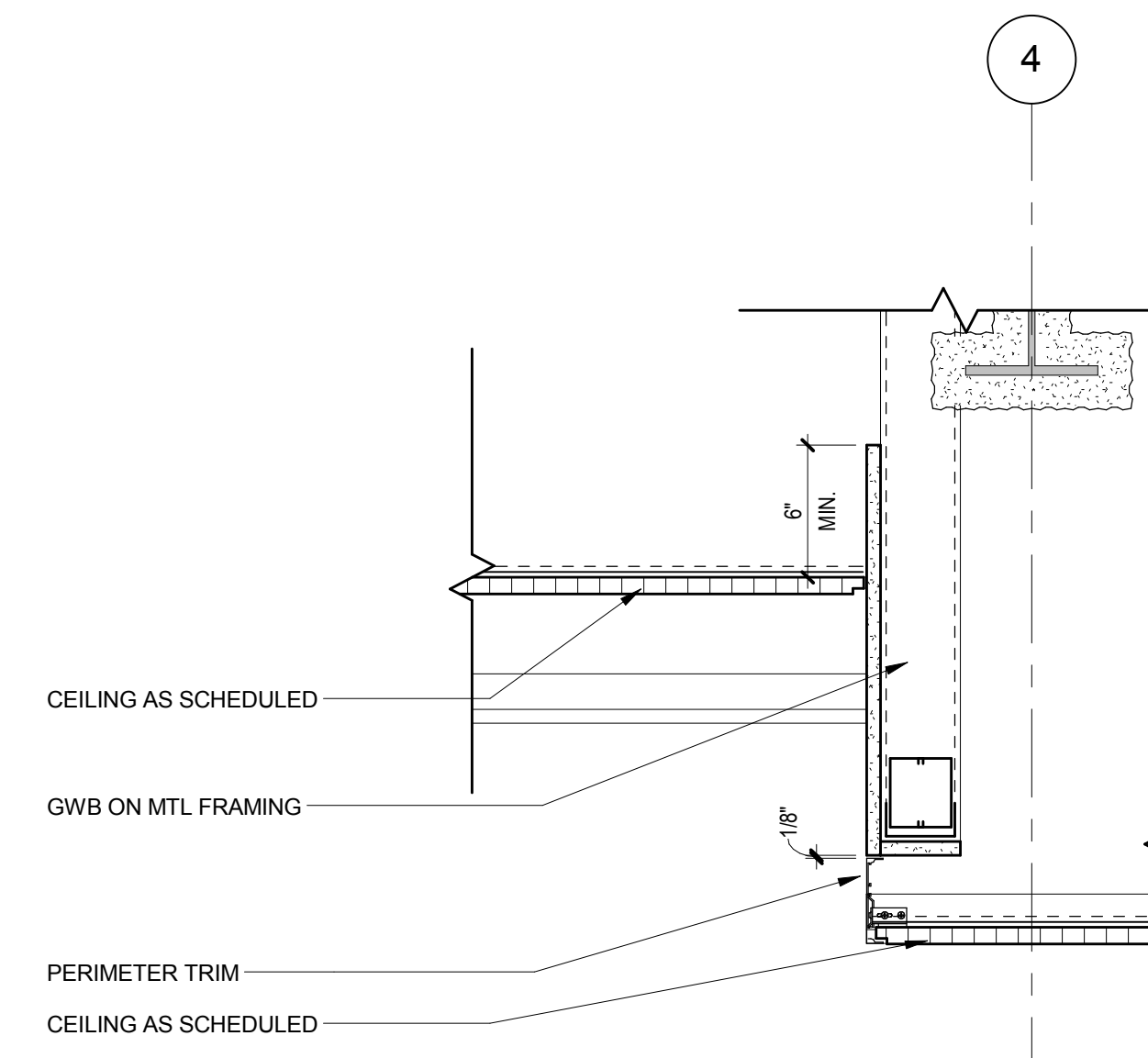
3 CEILING DETAIL - SAT TO GWB
1 1/2" = 1'-0"



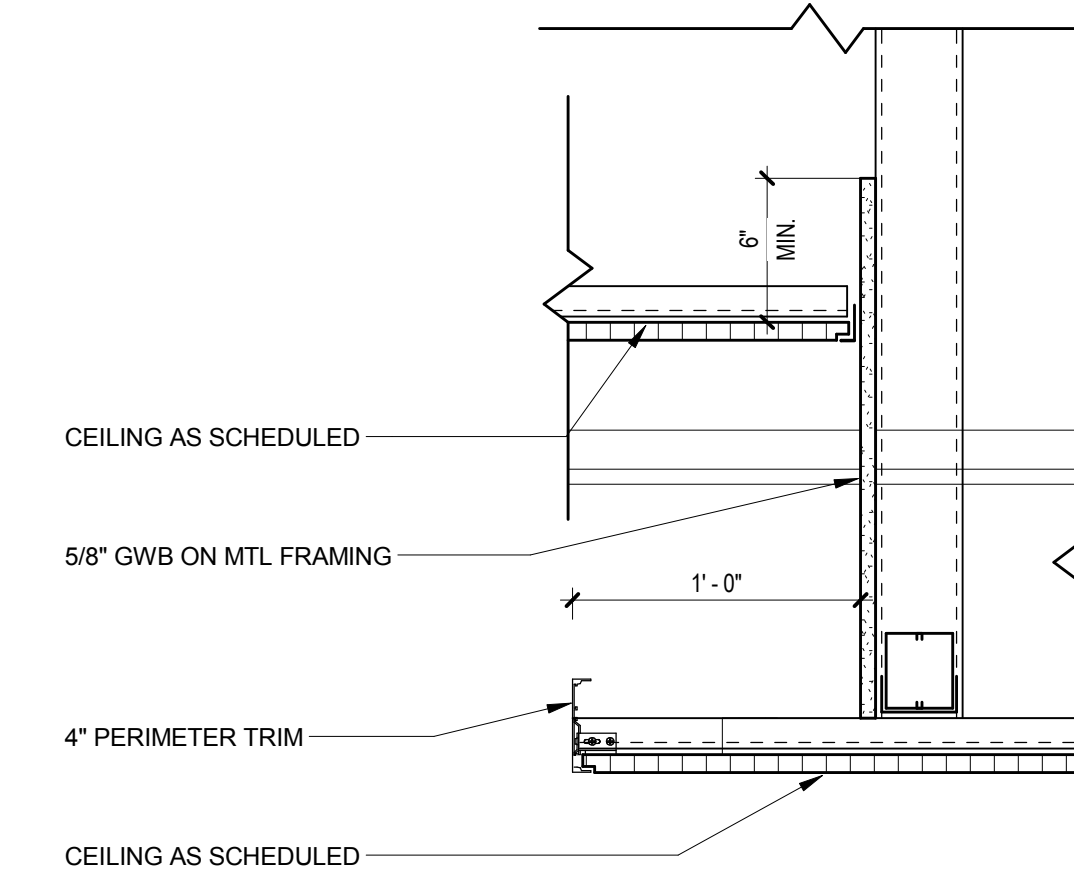
2 CEILING DETAIL - LOW SAT TO GWB
1 1/2" = 1'-0"



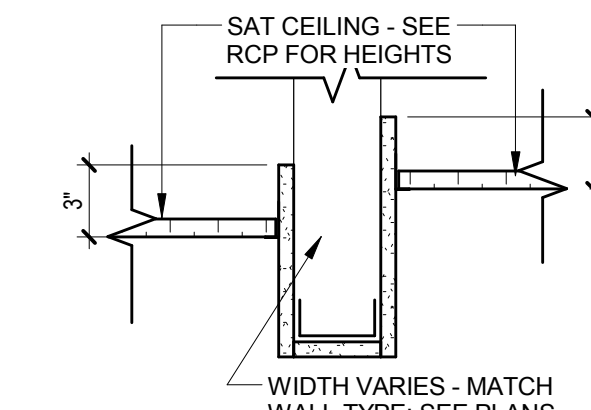
1 CEILING DETAIL - GWB TRANSITION
1 1/2" = 1'-0"



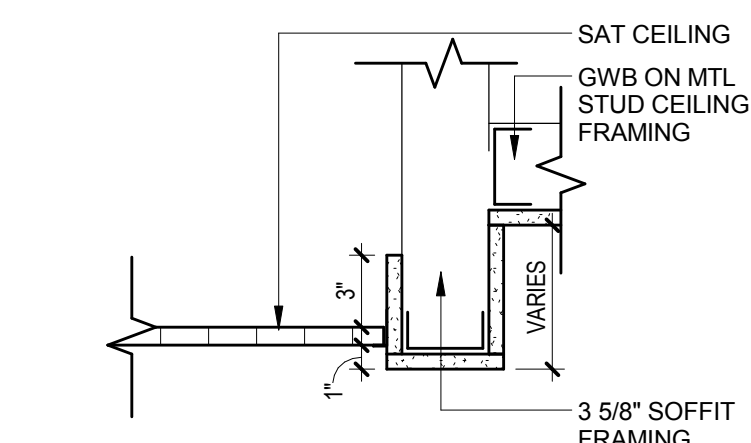
0 Detail 0
1 1/2" = 1'-0"



8 CLOUD EDGE DETAIL
1 1/2" = 1'-0"



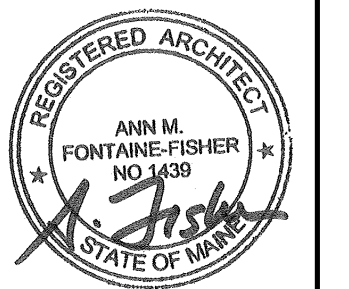
7 CEILING DETAIL - SAT W/ GWB SOFFIT
1 1/2" = 1'-0"



6 CEILING DETAIL - SAT TO GWB W/ SOFFIT
1 1/2" = 1'-0"

No.	Date	Description
-----	------	-------------

Revision Schedule



JOB NO.
14054

DRWN. CHK
Checker

SCALE:

ISSUE
PERMIT SET
03/18/16

TITLE
CEILING DETAILS

SHEET
A503