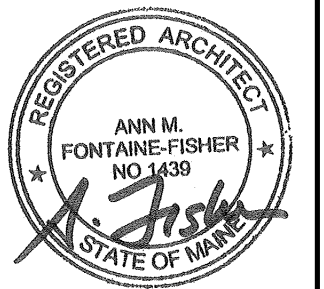


No.	Date	Description
		Revision Schedule



JOB NO.
14054

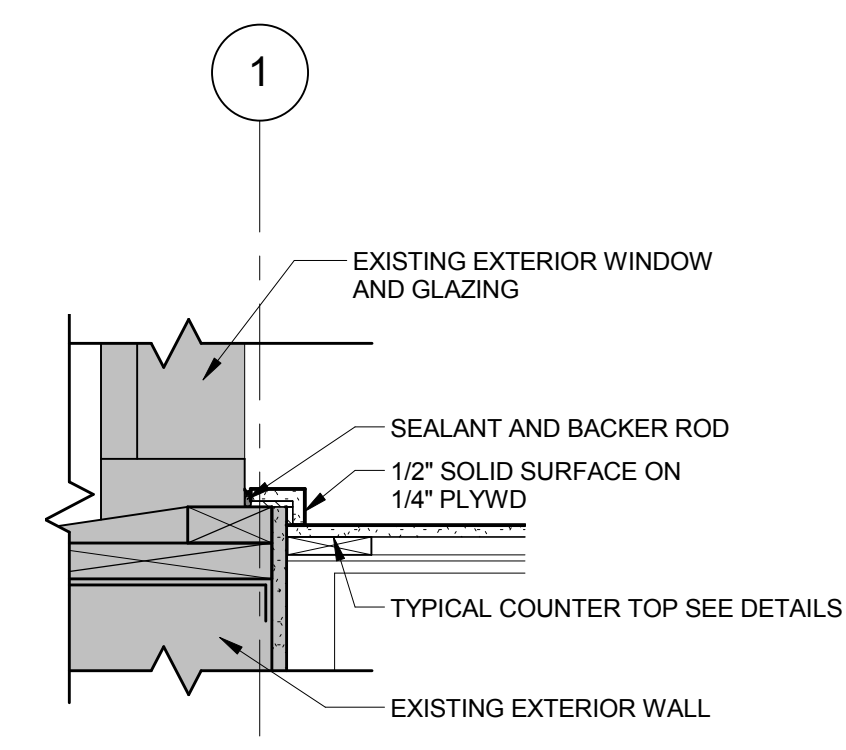
DRWN. CHK
Checker

SCALE:

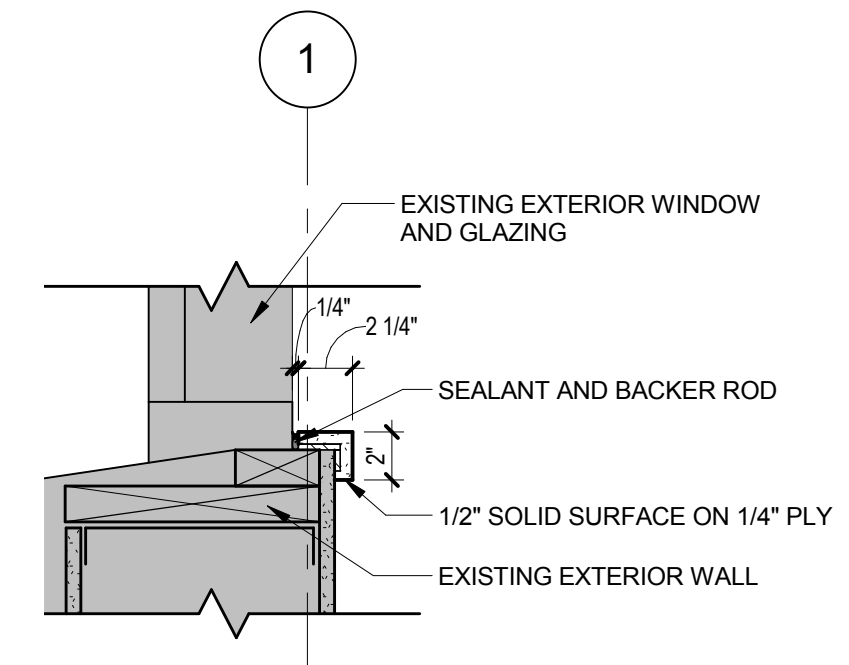
ISSUE
PERMIT SET
03/18/16

TITLE
INTERIOR
DETAILS

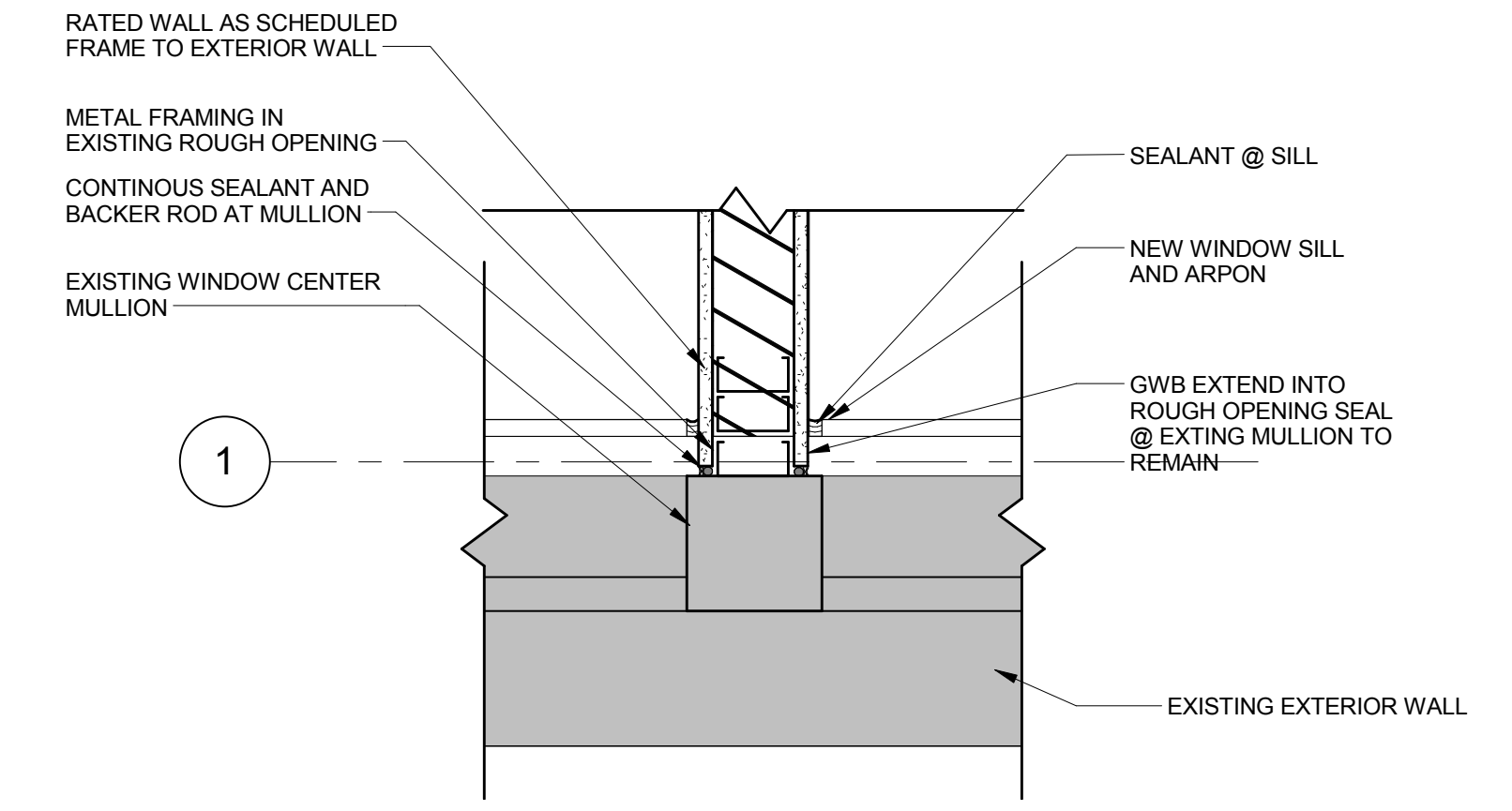
SHEET
A502



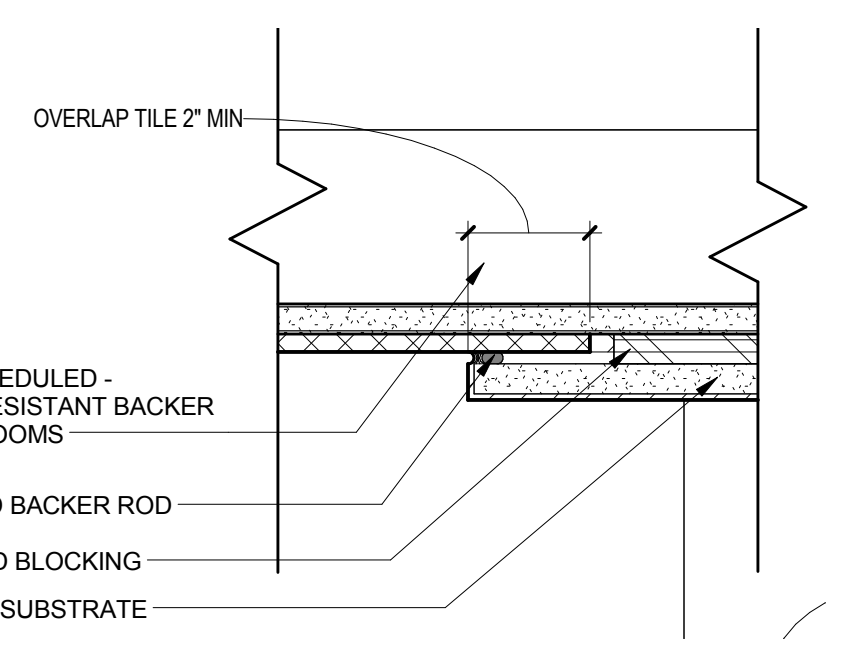
3E NEW SILL @ COUNTER
1 1/2" = 1'-0"



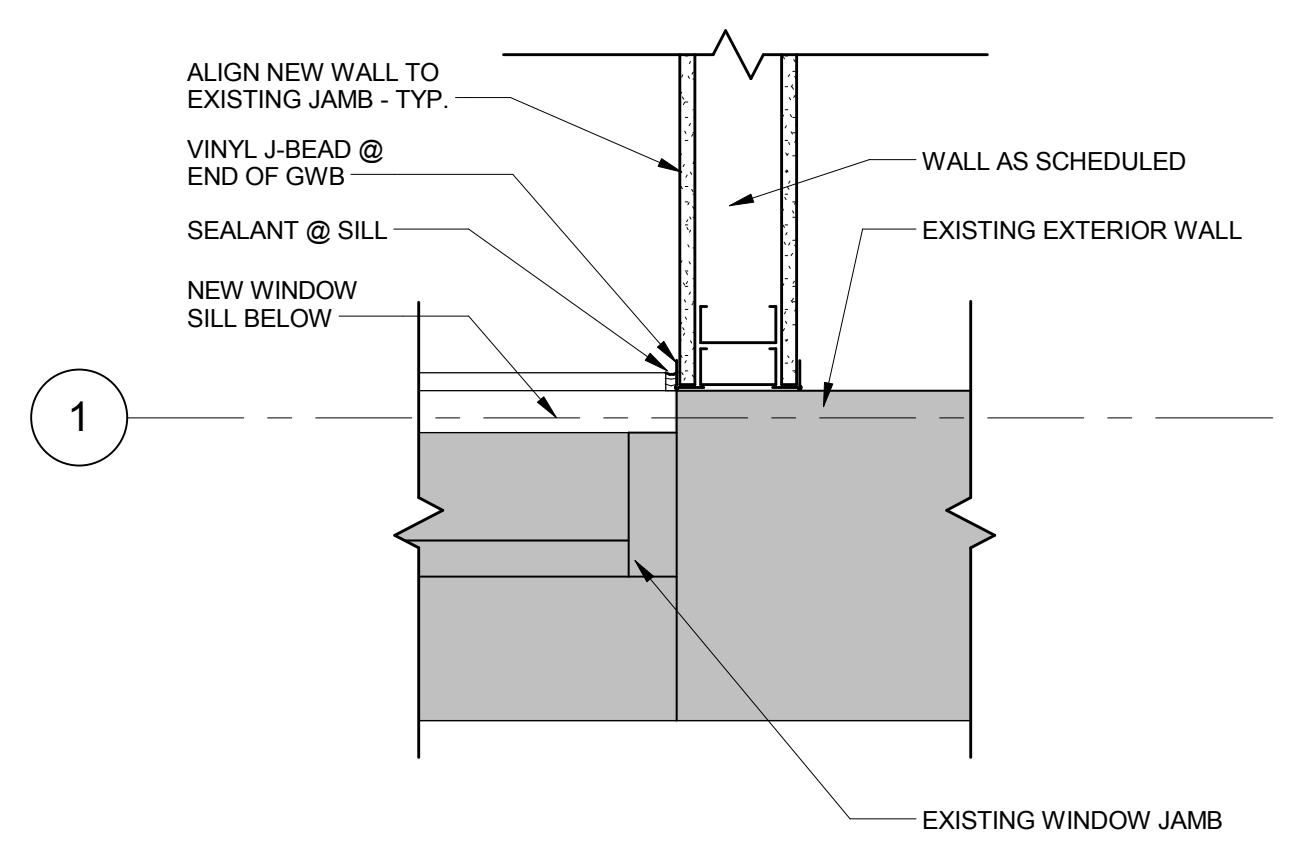
2E TYPICAL SILL AND APRON
1 1/2" = 1'-0"



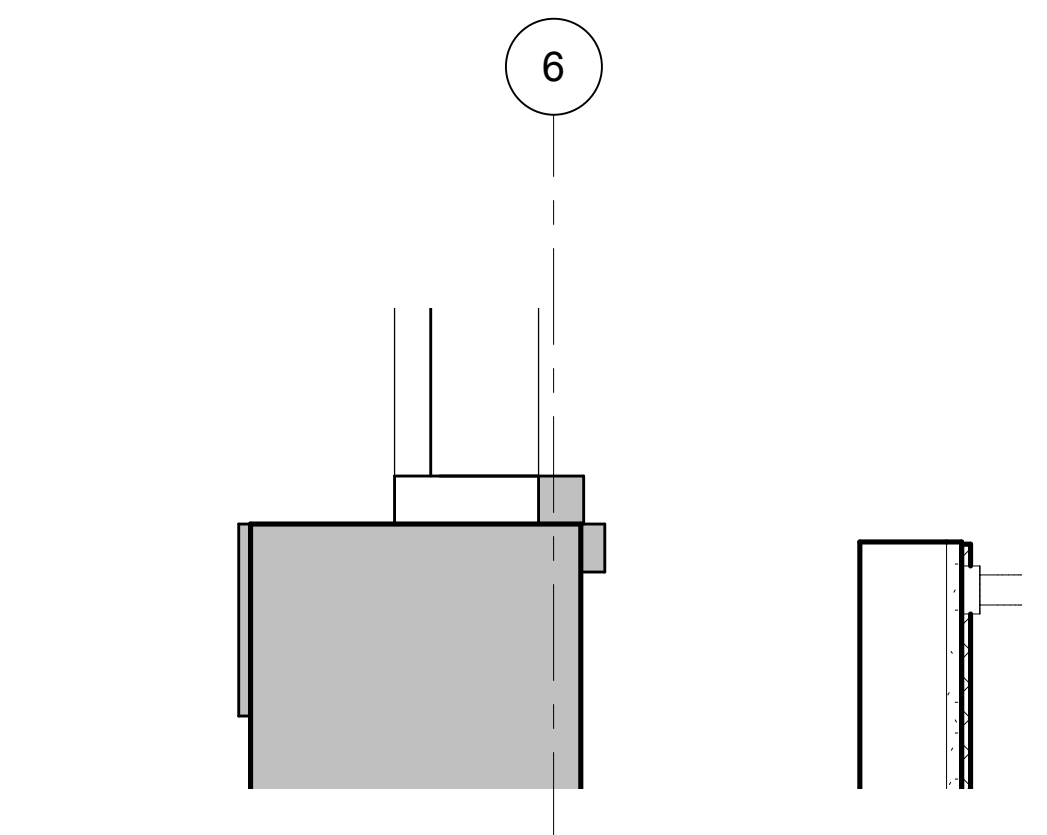
1E RATED WALL @ CENTER MULLION
1 1/2" = 1'-0"



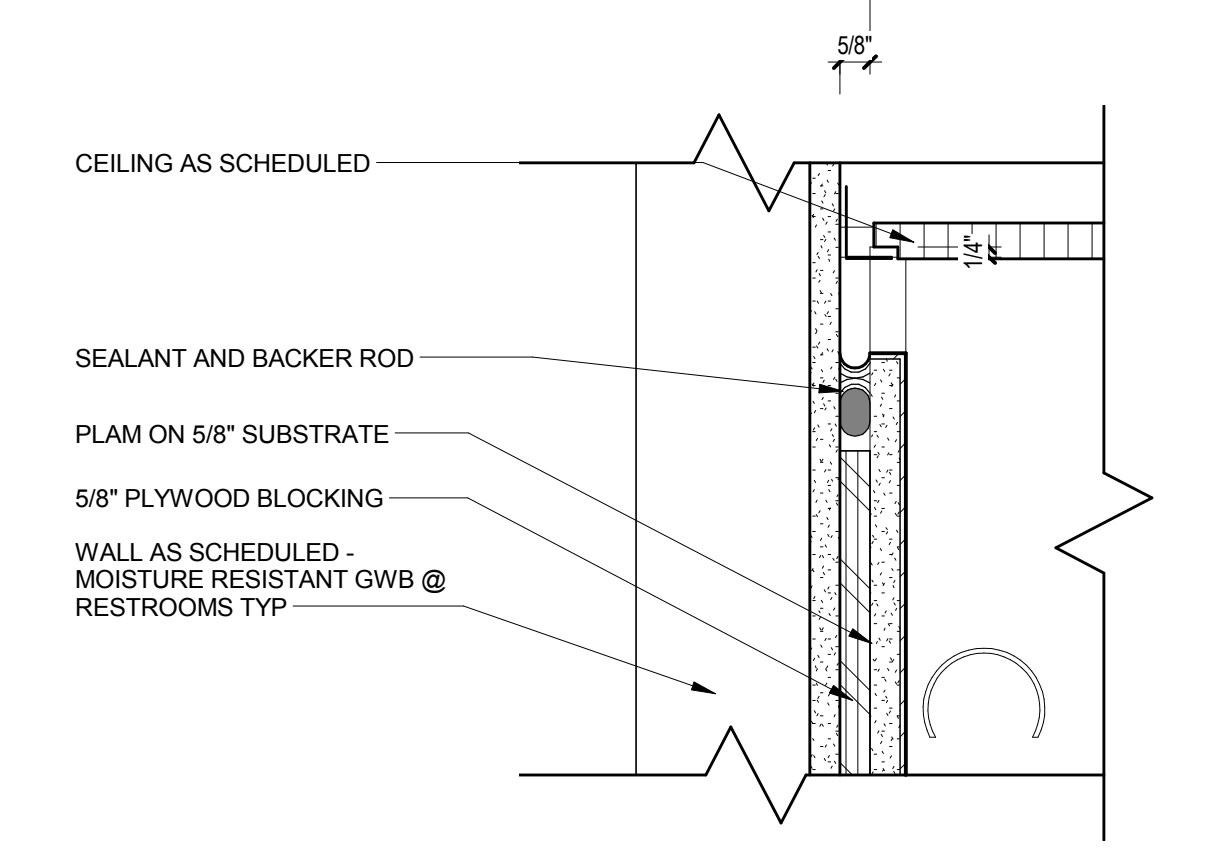
2 SINK WALL JAMB DETAIL - SIM @ BASE
3" = 1'-0"



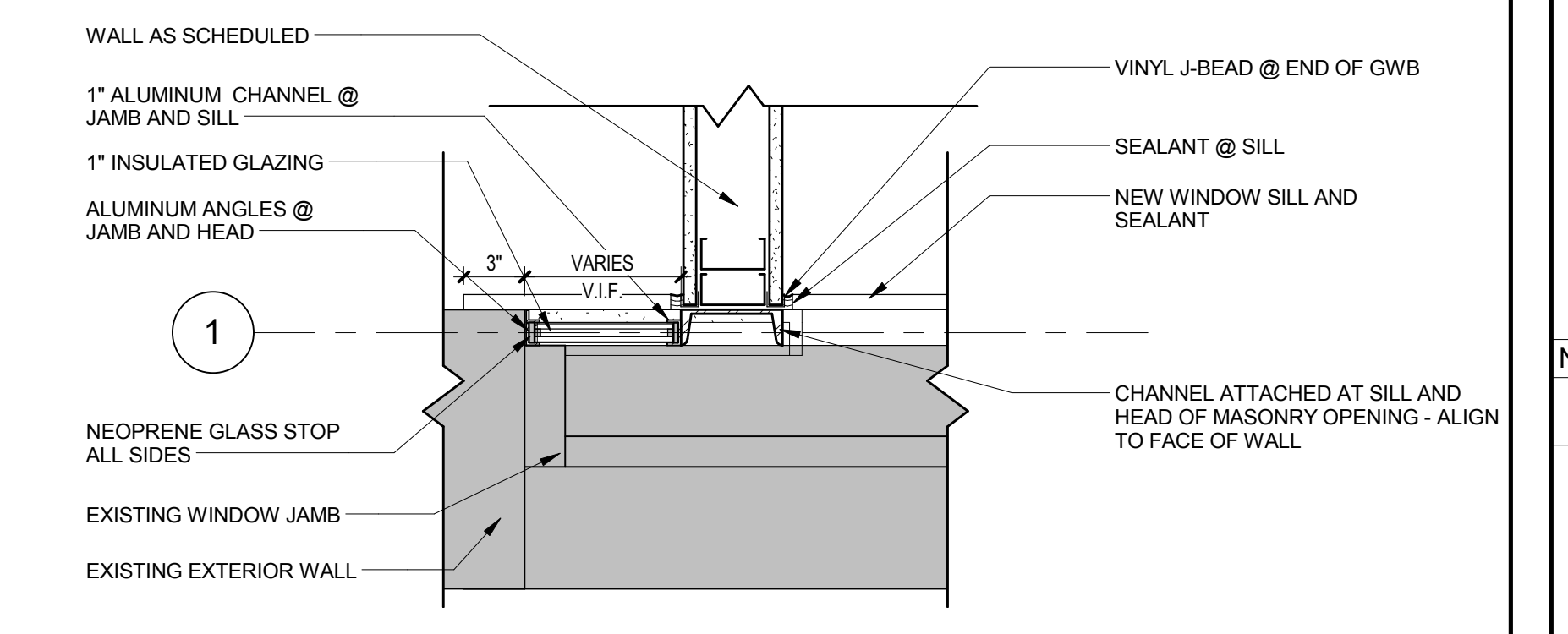
1C WALL @ WINDOW JAMB
1 1/2" = 1'-0"



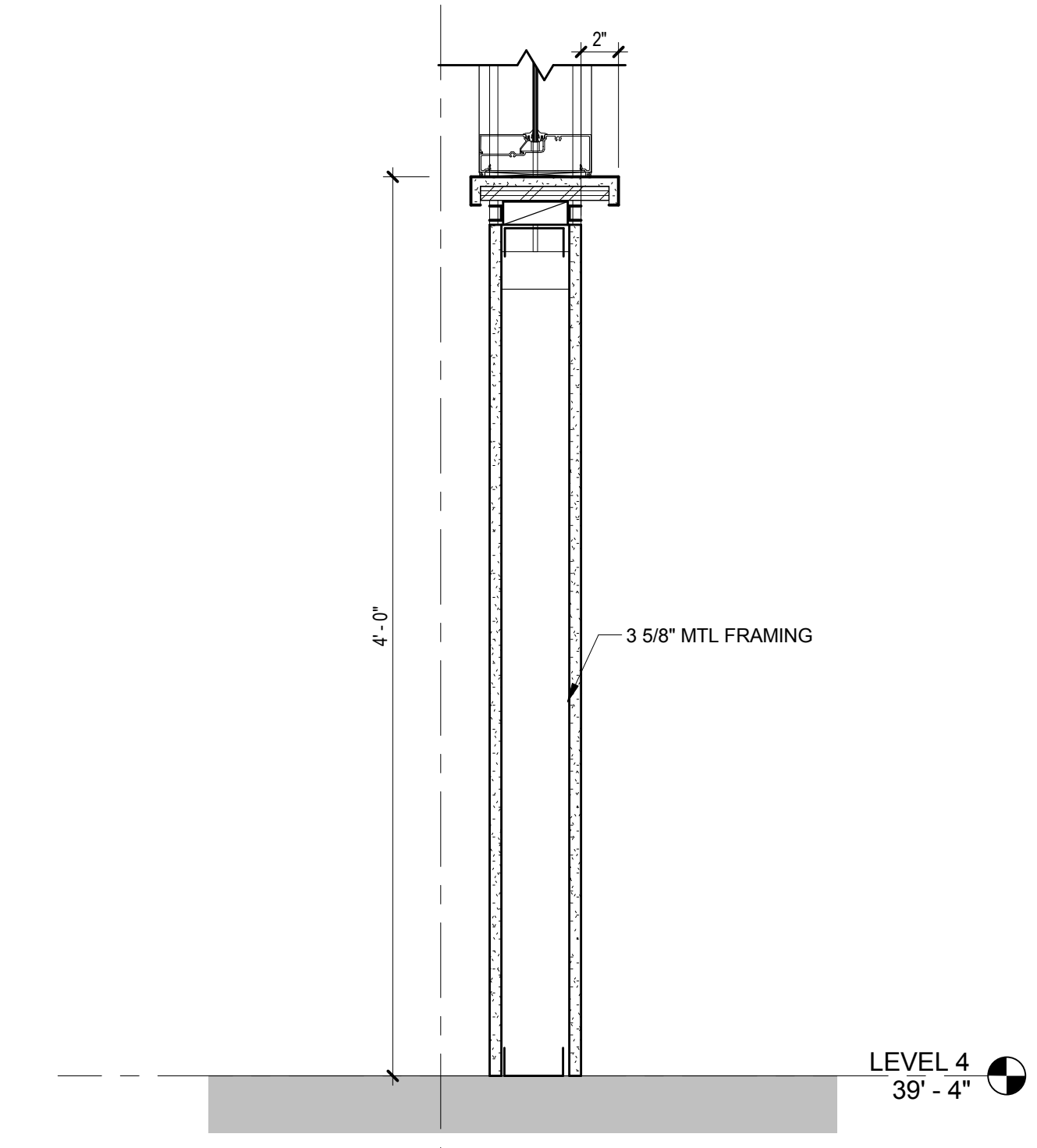
3 Detail 16
1 1/2" = 1'-0"



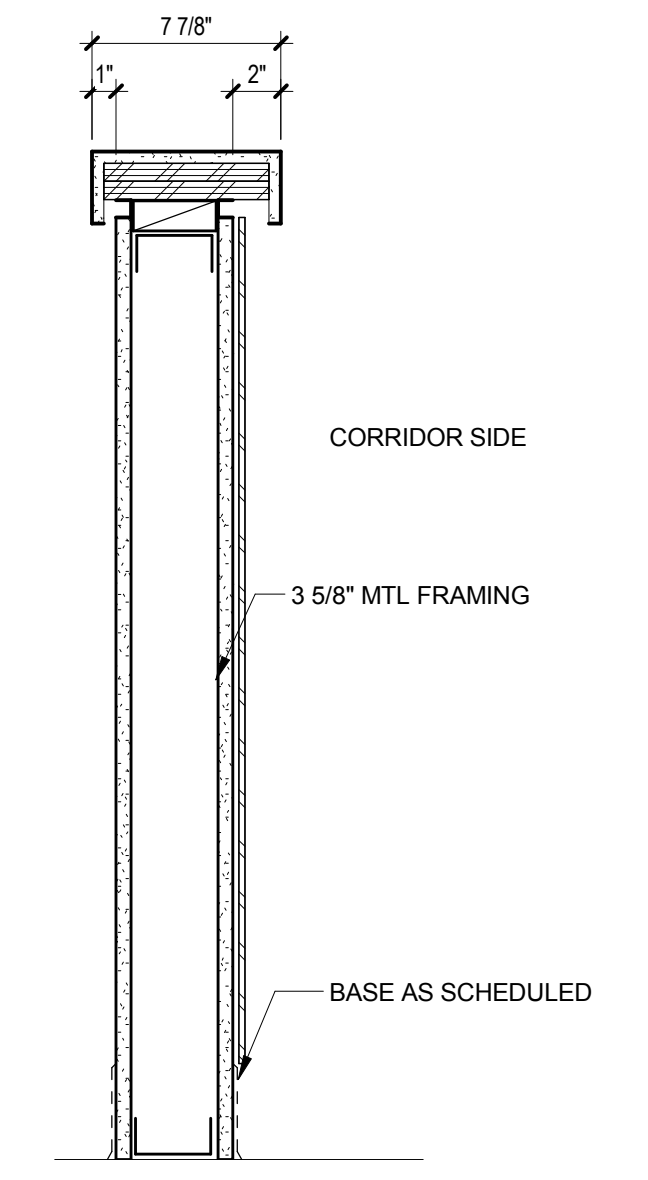
1 SINK WALL HEAD DETAIL
3" = 1'-0"



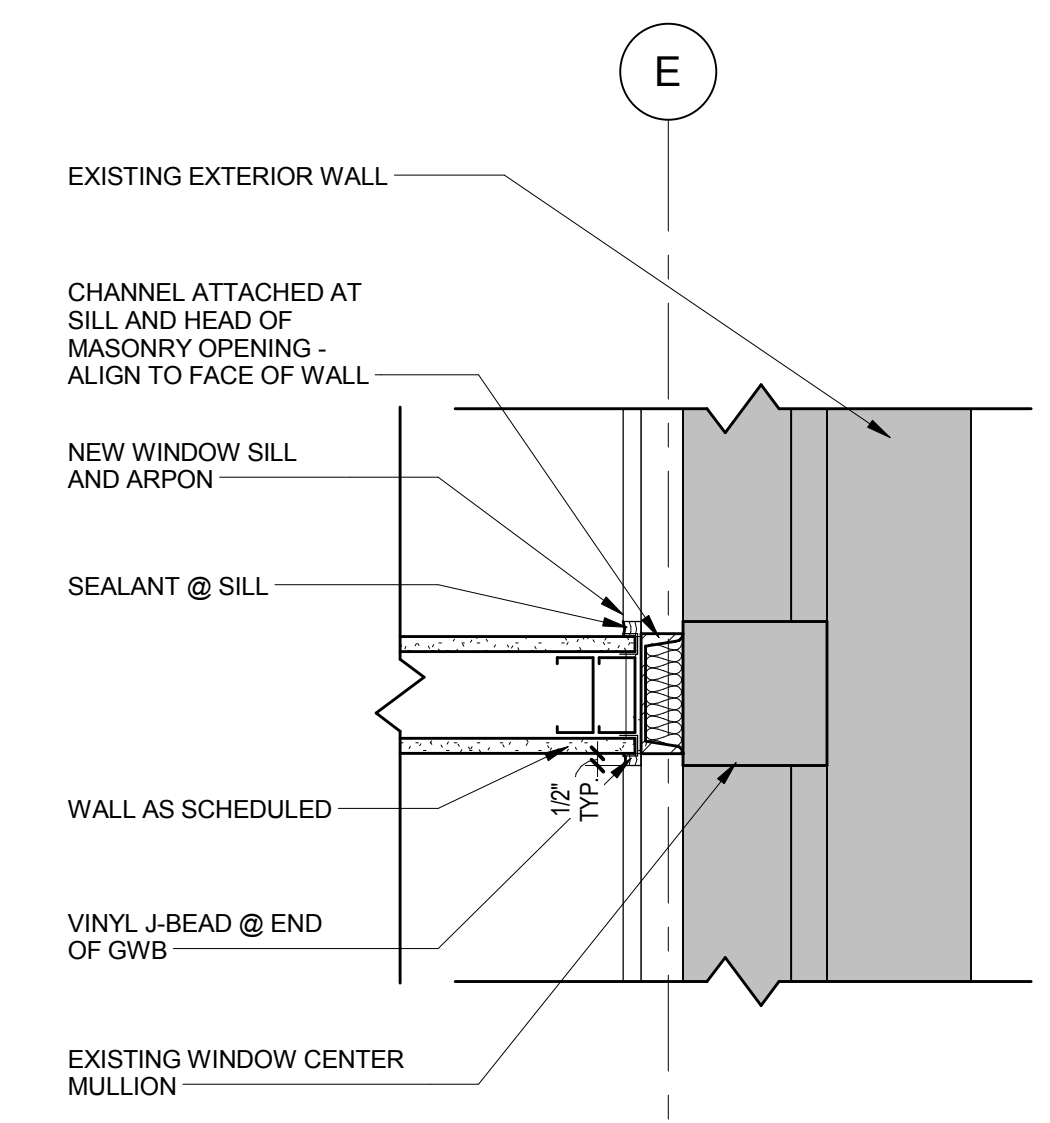
1B WALL INTO WINDOW - NOT AT MULLION
1 1/2" = 1'-0"



3A NURSE STATION DESK
1 1/2" = 1'-0"



2A PARTIAL HT WALL @ OPEN WORK
1 1/2" = 1'-0"



1A WALL TO CENTER MULLION
1 1/2" = 1'-0"