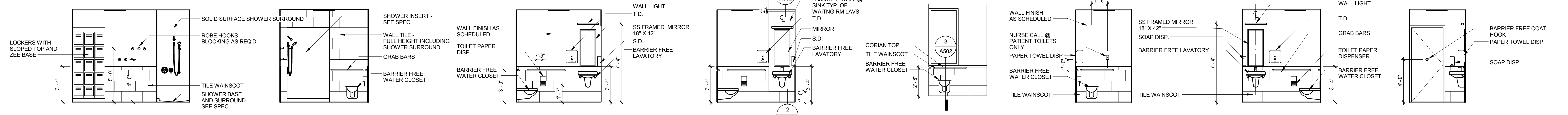
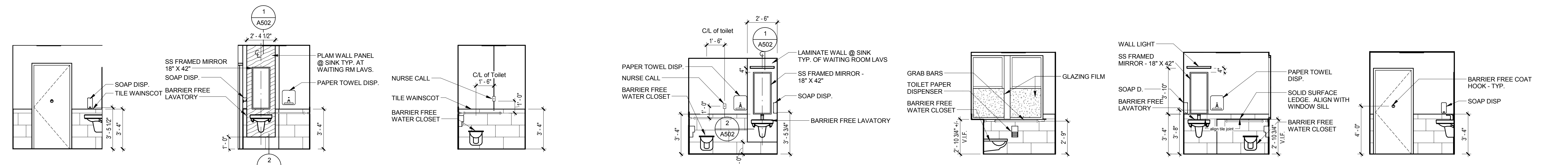


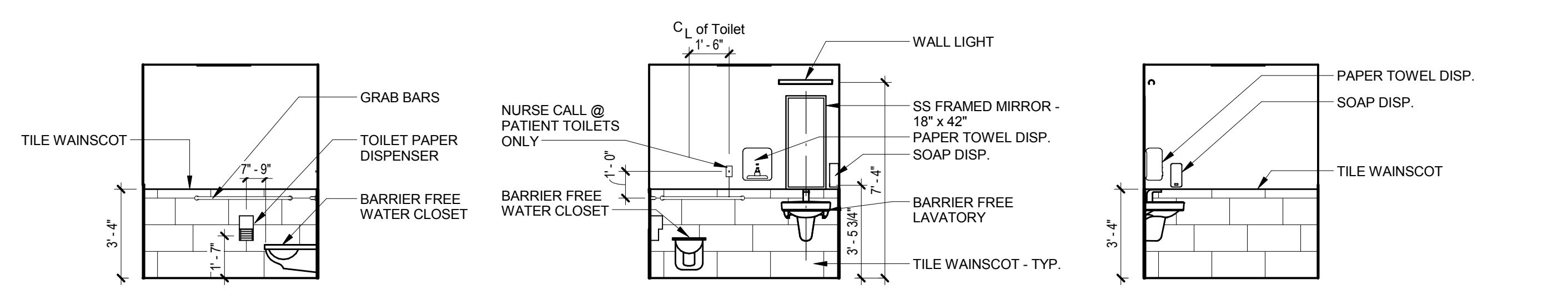
NOTE: SEE A002 FOR TYPICAL MOUNTING HEIGHTS AND PLANS OF TOILET ROOMS, FIXTURES, AND ACCESSORIES



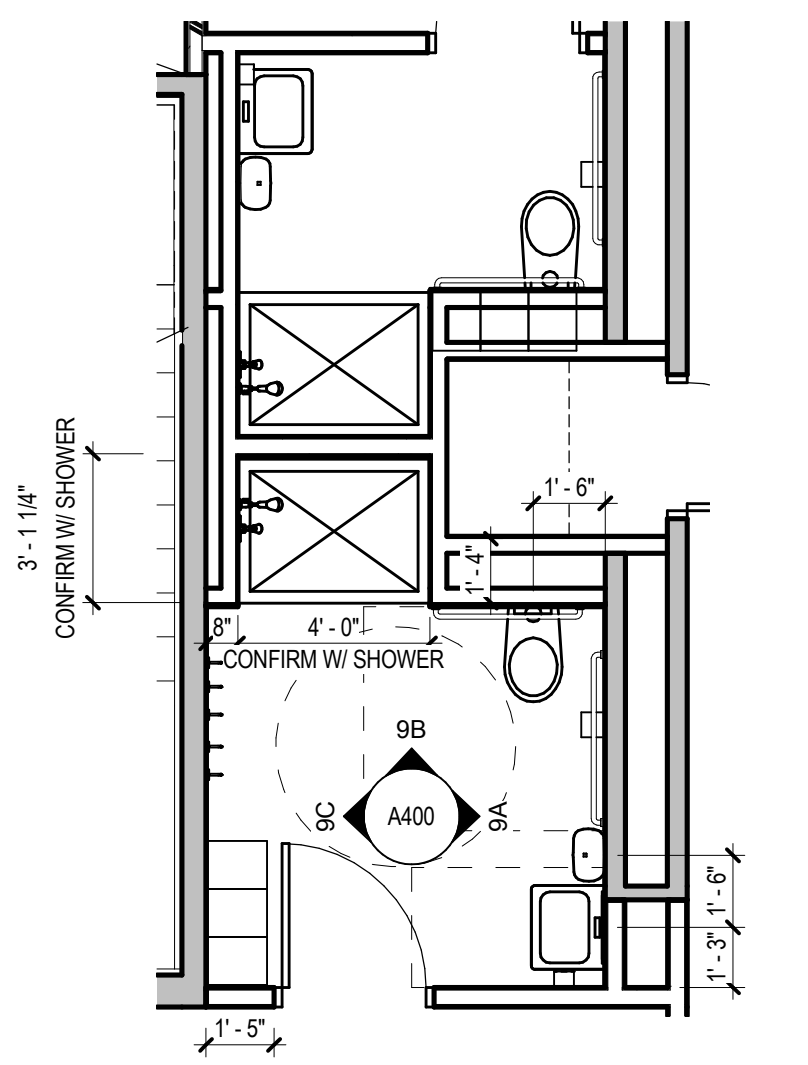
9C TOILET SHWR 456/452 WEST 1/4" = 1'-0" 9B TOILET SHWR 456 NORTH 1/4" = 1'-0" 9A TOILET SHWR 456 EAST 1/4" = 1'-0" 8D TYP. WAITING ROOM SINK WALL - ENDO 1/4" = 1'-0" 8C2 Elevation 4 - a 1/4" = 1'-0" 8C1 TYP. TOILET WALL ENDO 1/4" = 1'-0" 8B TYP. SINK WALL ENDO 1/4" = 1'-0" 8A TYP. SINK SIDEWALL ENDO 1/4" = 1'-0"



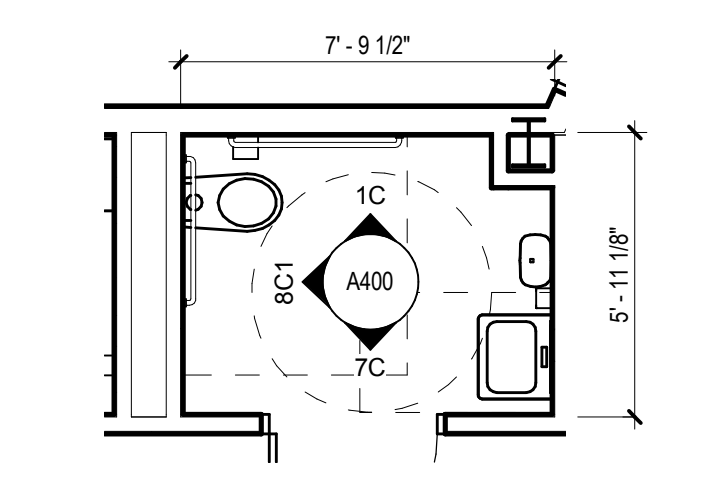
7C TLT - WT - 406 SIDEWALL 1/4" = 1'-0" 7B TLT - WT - 406 SINK 1/4" = 1'-0" 7A TLT 406 - HEAD WALL 1/4" = 1'-0" 6A TYP. WAITING ROOM TOILET - PRACTICE 1/4" = 1'-0" 6C TLT S 316 SOUTH 1/4" = 1'-0" 6B TLT S 316 EAST 1/4" = 1'-0" 6A TLT S 316 NORTH 1/4" = 1'-0"



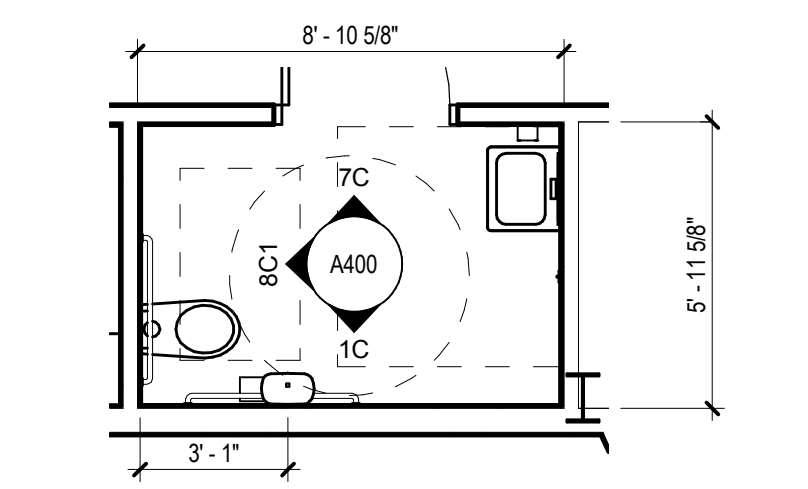
1C TYP. TOILET SIDE WALL 1/4" = 1'-0" 1B TYP. TOILET AND SINK HEAD WALL 1/4" = 1'-0" 1A TYP. SINK SIDE WALL 1/4" = 1'-0"



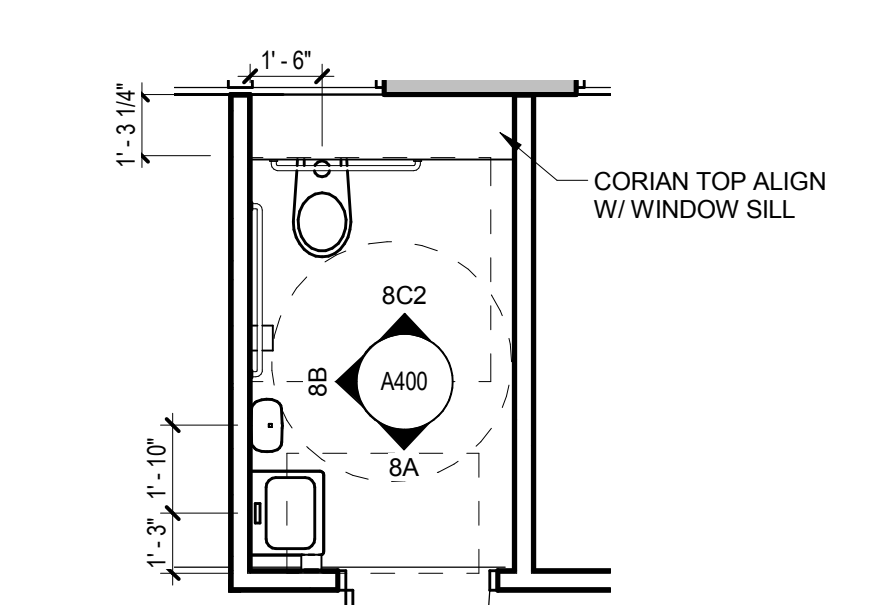
14 TOILET SHWR 456/ 452 O.H. 1/4" = 1'-0"



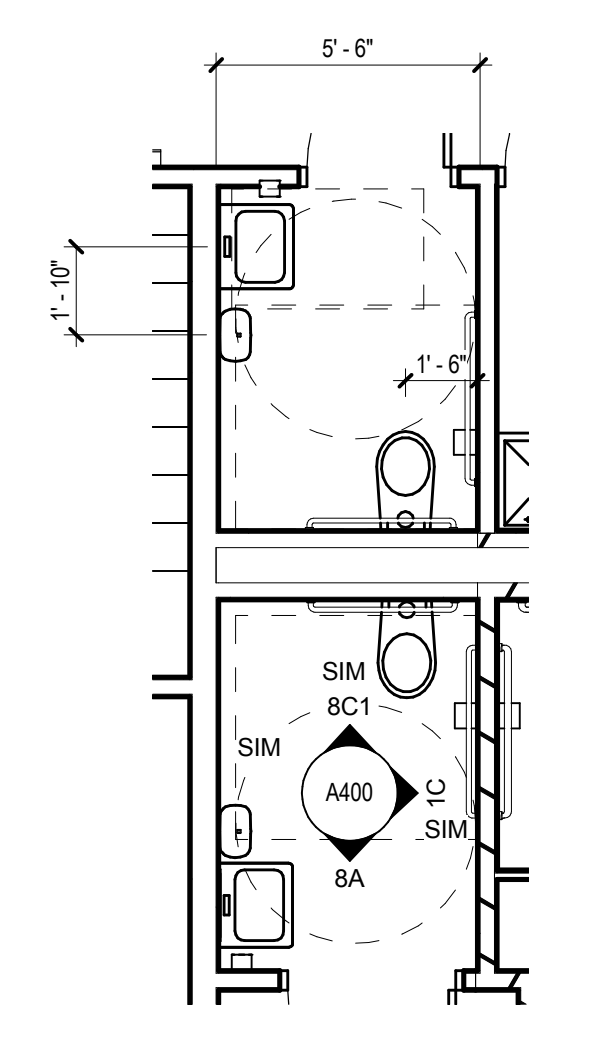
13 TLT - PATIENT - 493 1/4" = 1'-0"



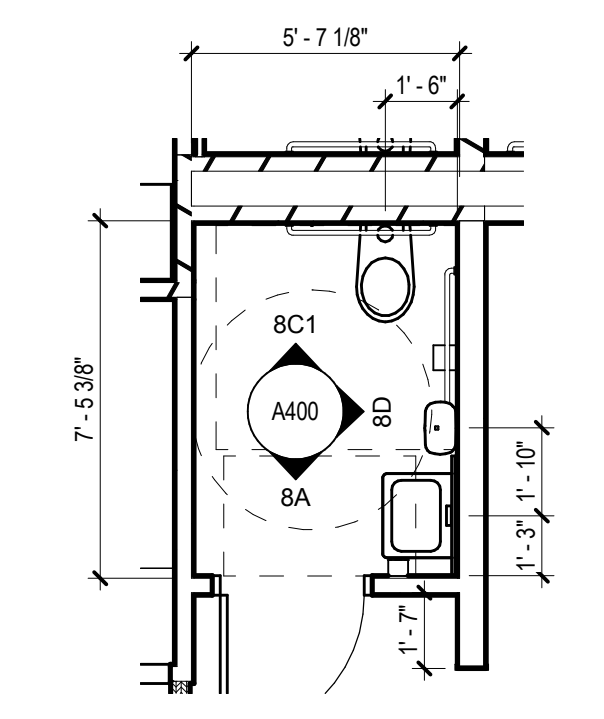
12 TLT PATIENT - 454 1/4" = 1'-0"



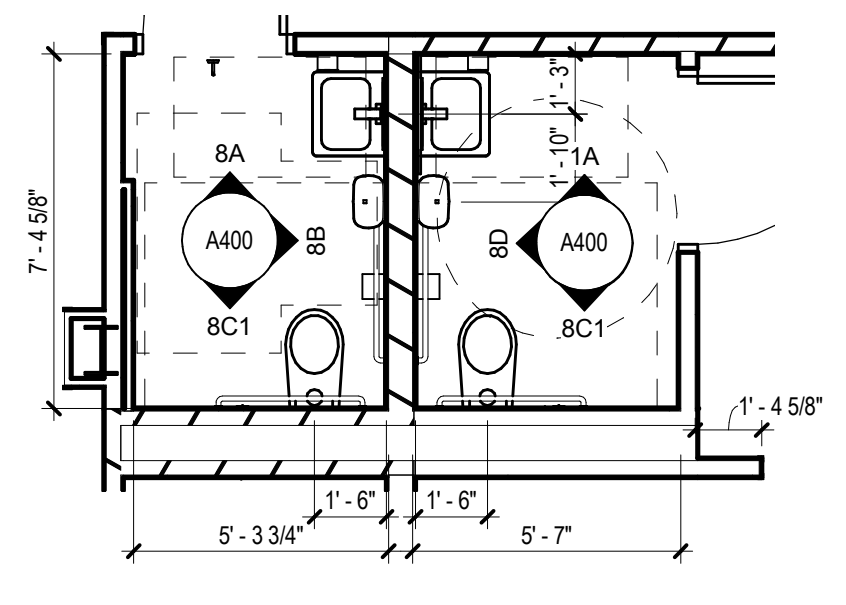
11 TLT - 421 1/4" = 1'-0"



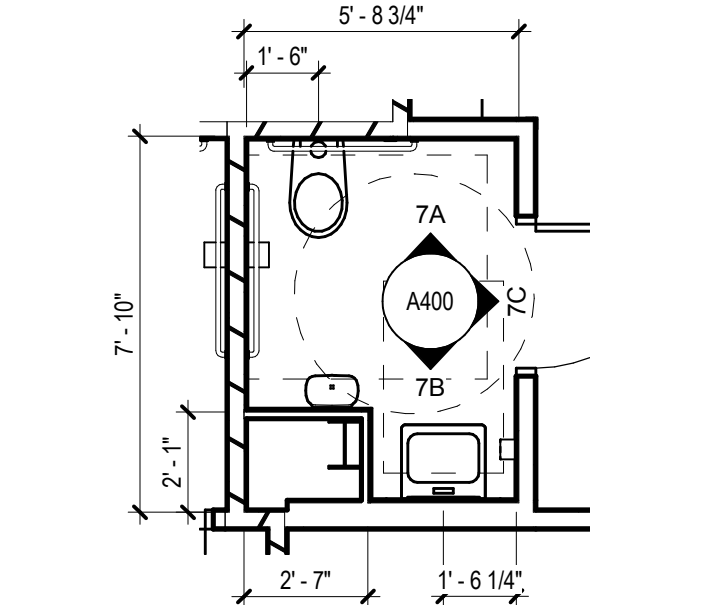
10 TLT - 408, 483 1/4" = 1'-0"



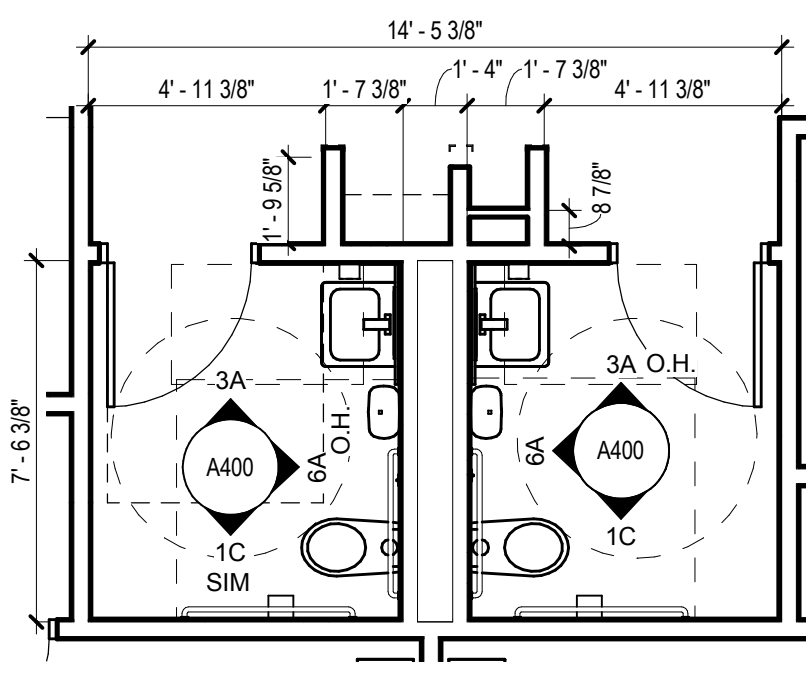
9 TLT - 413 1/4" = 1'-0"



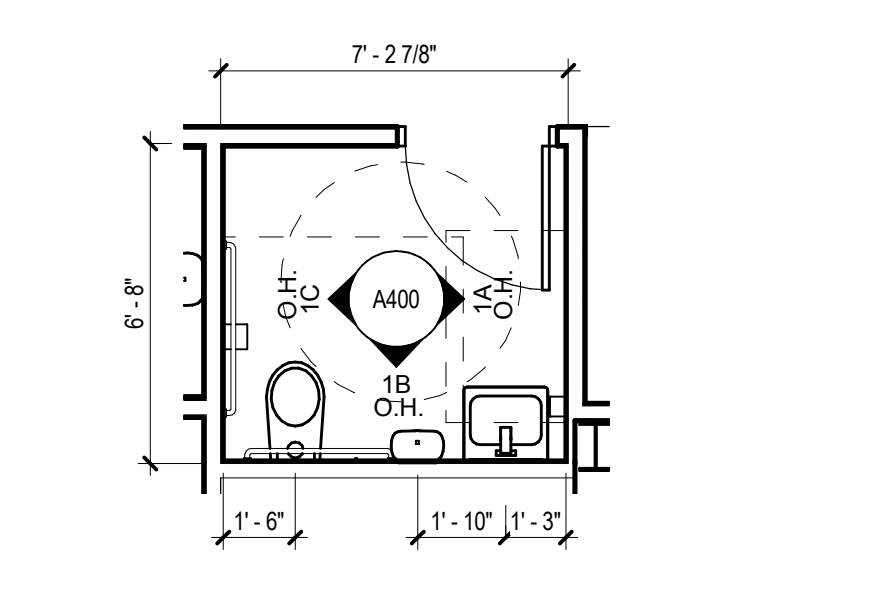
8 TLT WT 414, 424 1/4" = 1'-0"



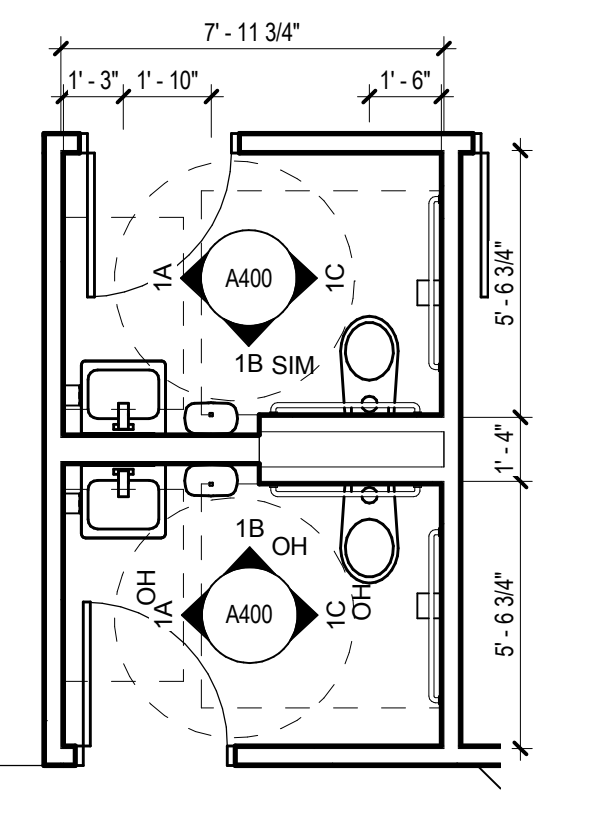
7 TLT - 406 1/4" = 1'-0"



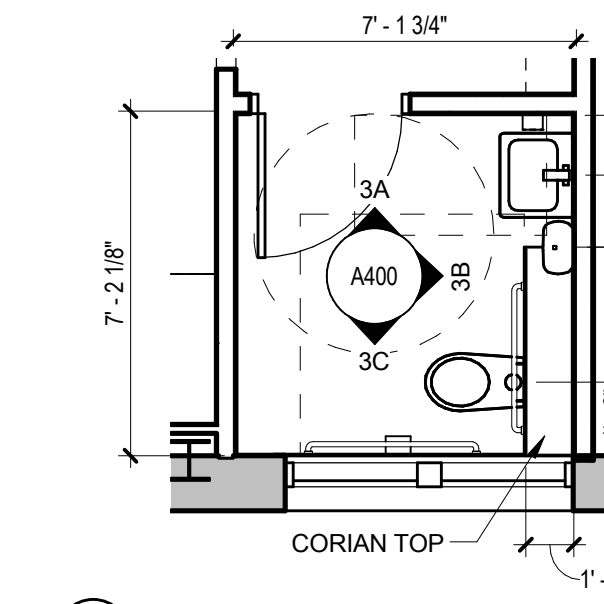
6 TLT - 358, 359 1/4" = 1'-0"



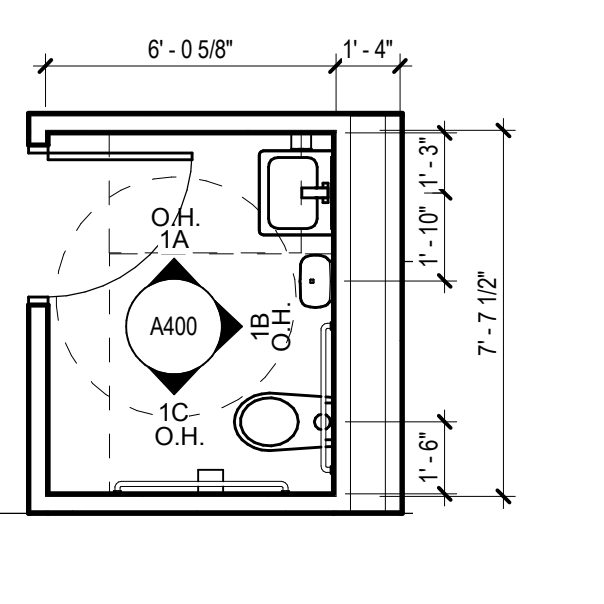
5 TLT - 370 1/4" = 1'-0"



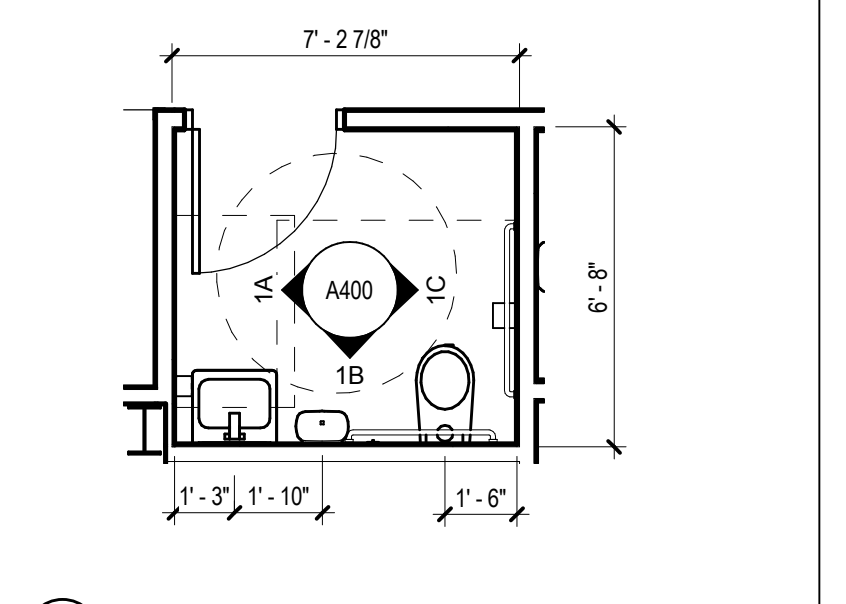
4 TLT 305, 318 1/4" = 1'-0"



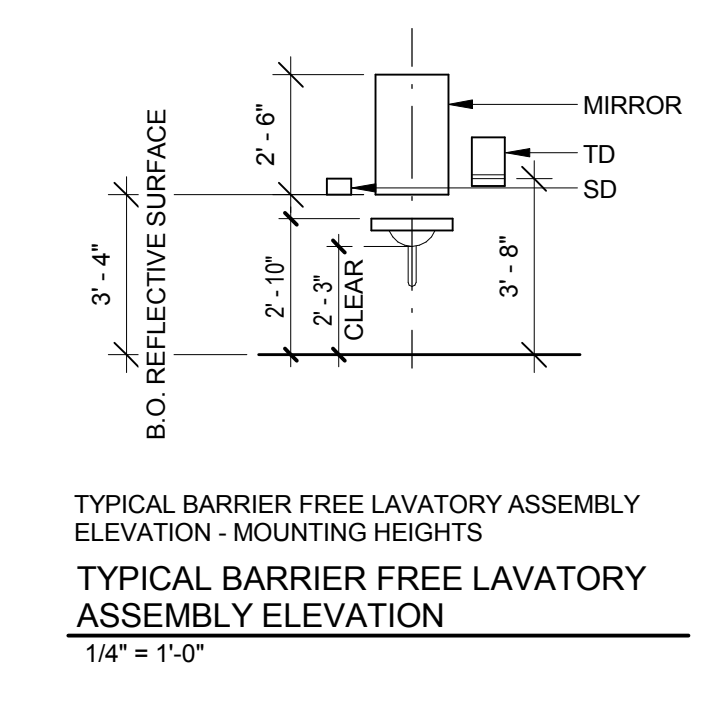
3 TLT 316A 1/4" = 1'-0"



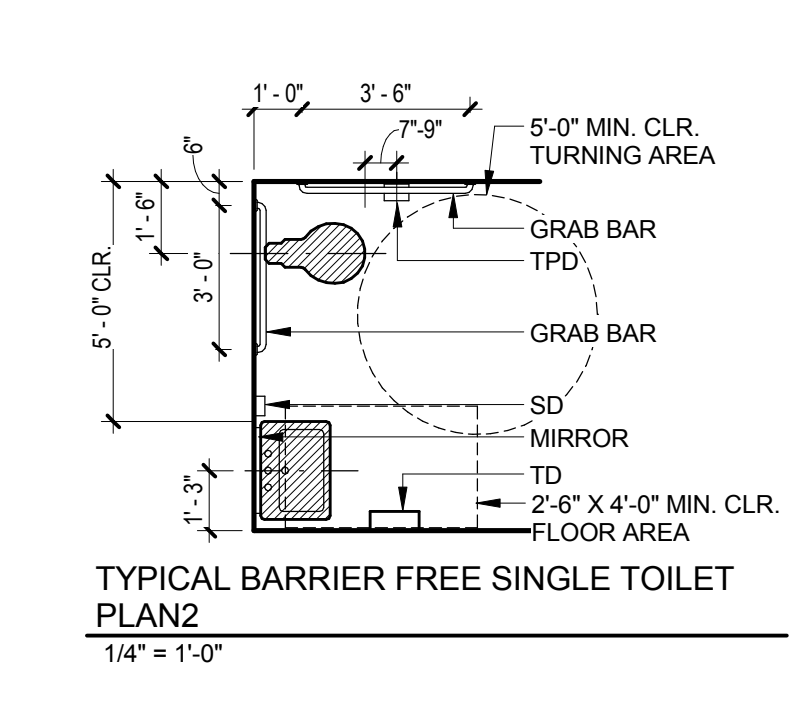
2 TLT 303 1/4" = 1'-0"



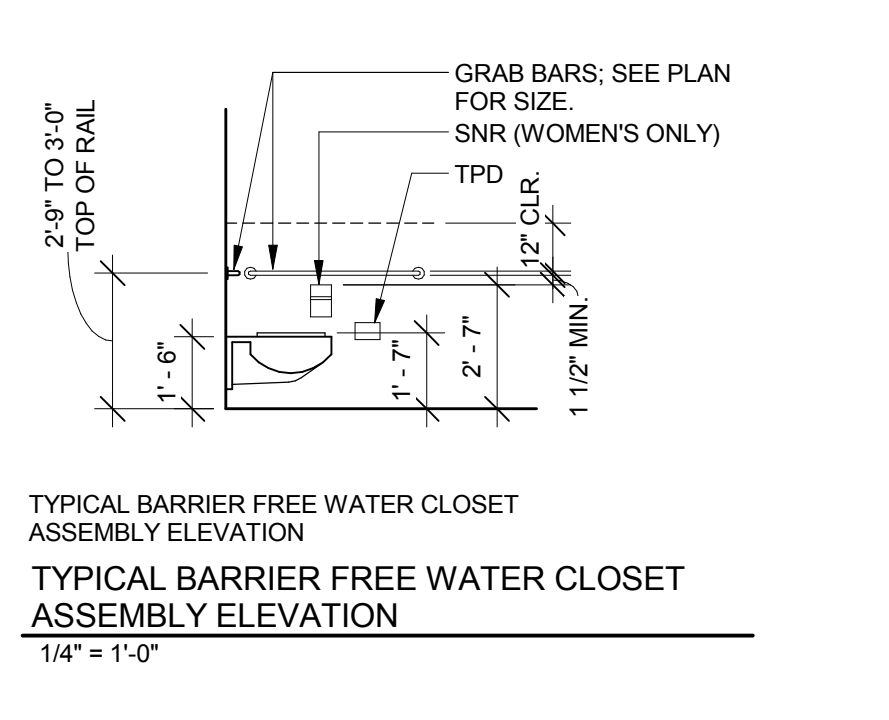
1 TLT 335 1/4" = 1'-0"



TYPICAL BARRIER FREE LAVATORY ASSEMBLY ELEVATION 1/4" = 1'-0"



TYPICAL BARRIER FREE SINGLE TOILET PLAN 1/4" = 1'-0"



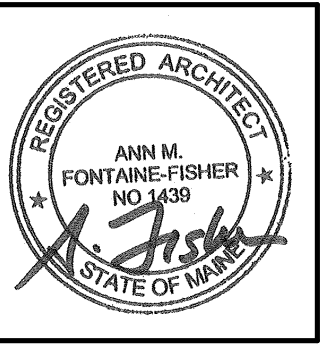
TYPICAL BARRIER FREE WATER CLOSET ASSEMBLY ELEVATION 1/4" = 1'-0"



COPYRIGHT 2016 PDT Architects. No reproduction or distribution of this document is permitted without written permission of PDT Architects.

PORTLAND GASTROENTEROLOGY CENTER 161 Marginal Way Portland, Maine

Table with 3 columns: No., Date, Description. Row 1: Revision Schedule.



JOB NO. 14054

DRWN, CHK Checker

SCALE:

ISSUE PERMIT SET 03/18/16

TITLE ENLARGED TOILET ROOM PLANS

SHEET A400