

INTERIOR GENERAL NOTES

1. ALL CABINETS IN CLINICAL AREAS SHALL HAVE LOCKS
2. COUNTERTOPS AND WORK AREAS TO BE PLAM TYPICAL, U.N.O SEE NOTE BELOW.
3. COUNTERTOPS IN WET AREAS, OR CONTAINING SINKS WILL BE SOLID SURFACE.

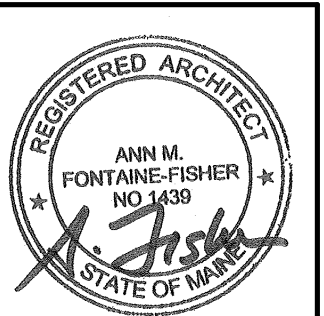


COPYRIGHT 2016
PDT Architects
Reuse or reproduction of the contents of this document is not permitted without written permission of PDT Architects.

PORTLAND GASTROENTEROLOGY CENTER
161 Marginal Way Portland, Maine

1	2/3/16	Permit Set
---	--------	------------

No. | Date | Description
Revision Schedule



JOB NO. 14054

DRWN. CHK Checker

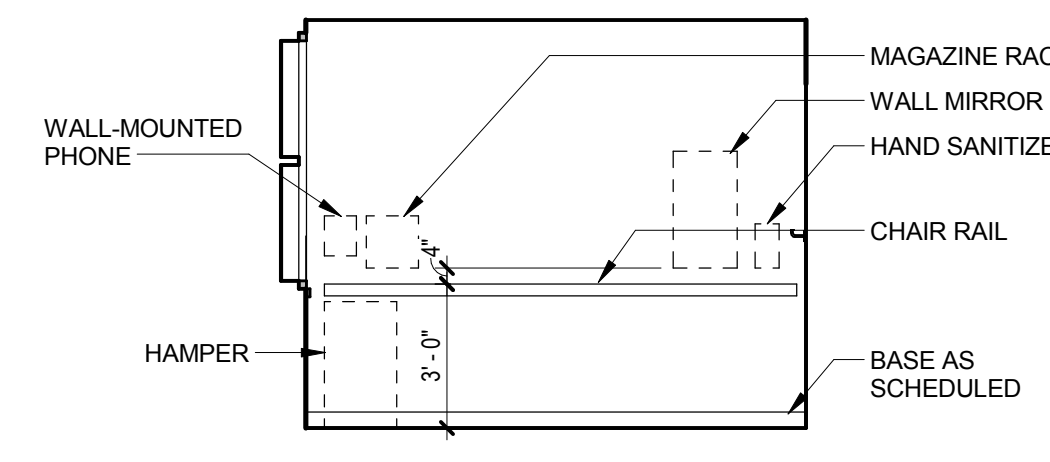
SCALE:

ISSUE PERMIT SET 03/18/16

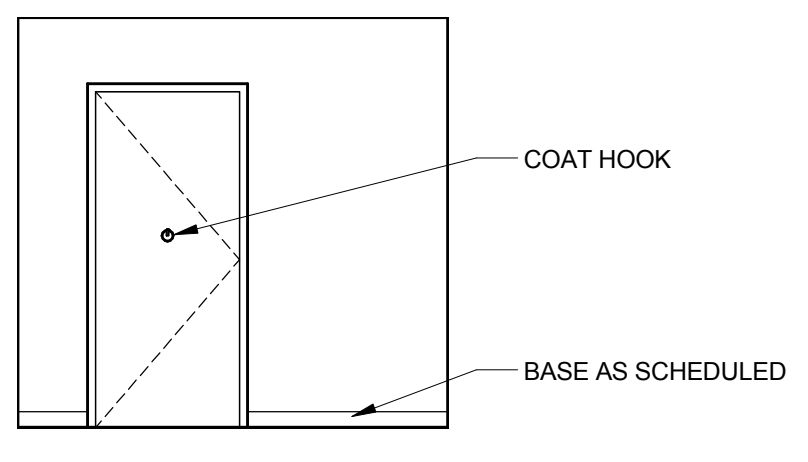
TITLE INTERIOR ELEVATIONS

SHEET

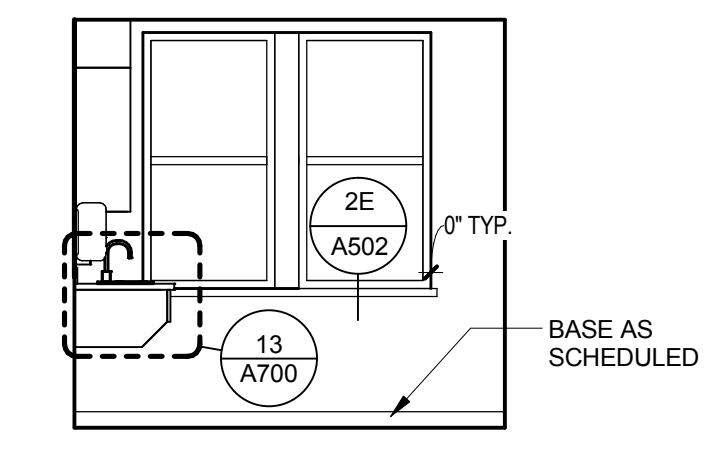
A211



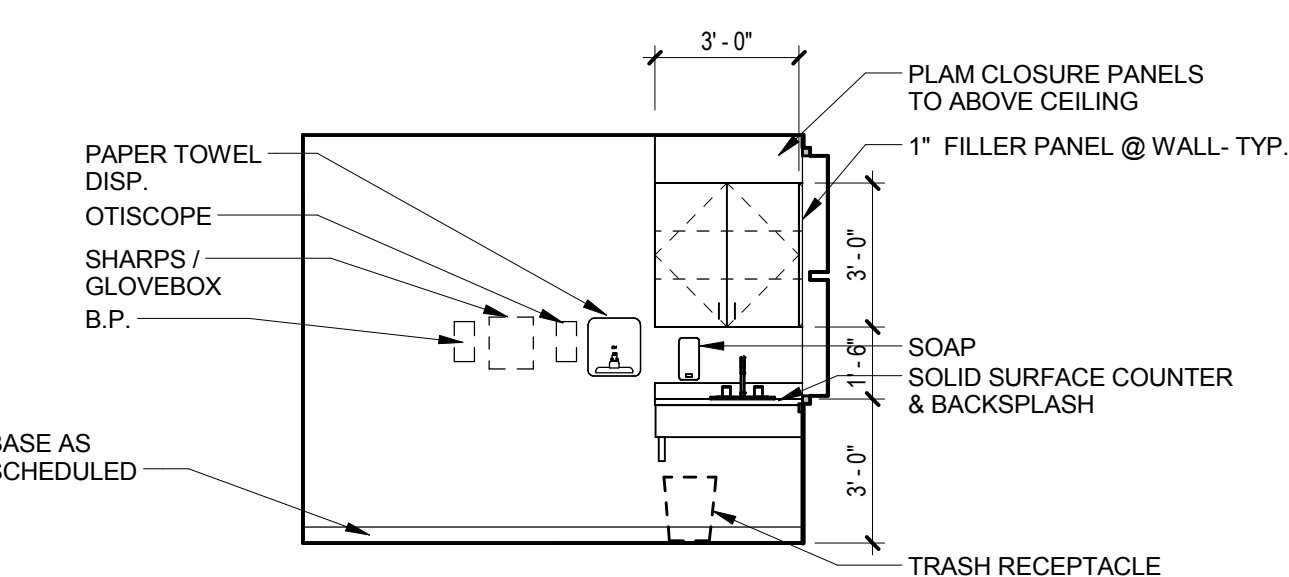
5 TYPICAL EXAM ROOM - VIEW 4
1/4" = 1'-0"



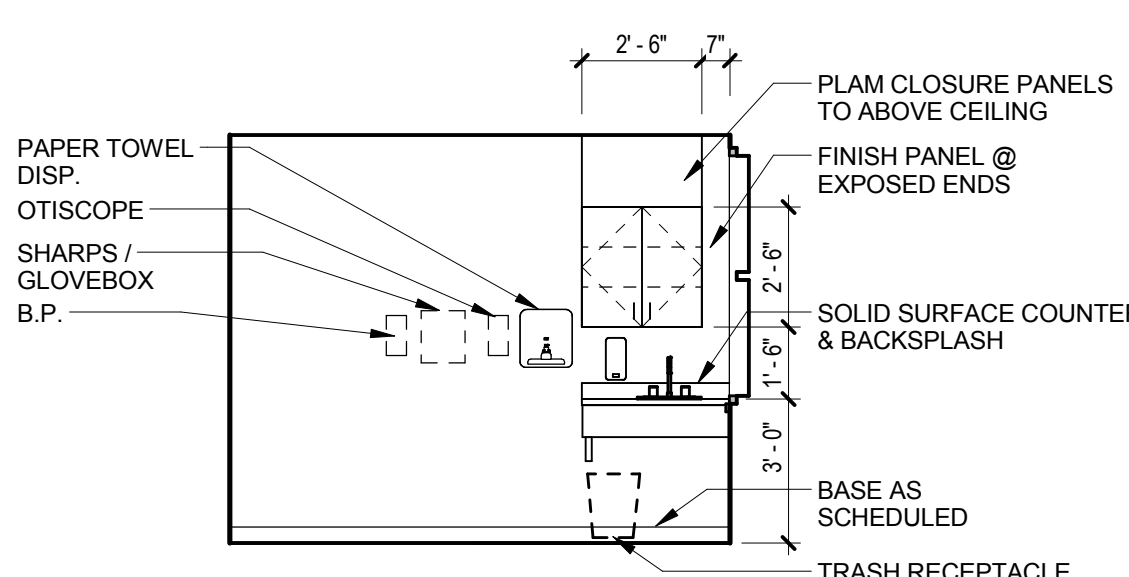
4 TYPICAL EXAM ROOM - VIEW 3
1/4" = 1'-0"



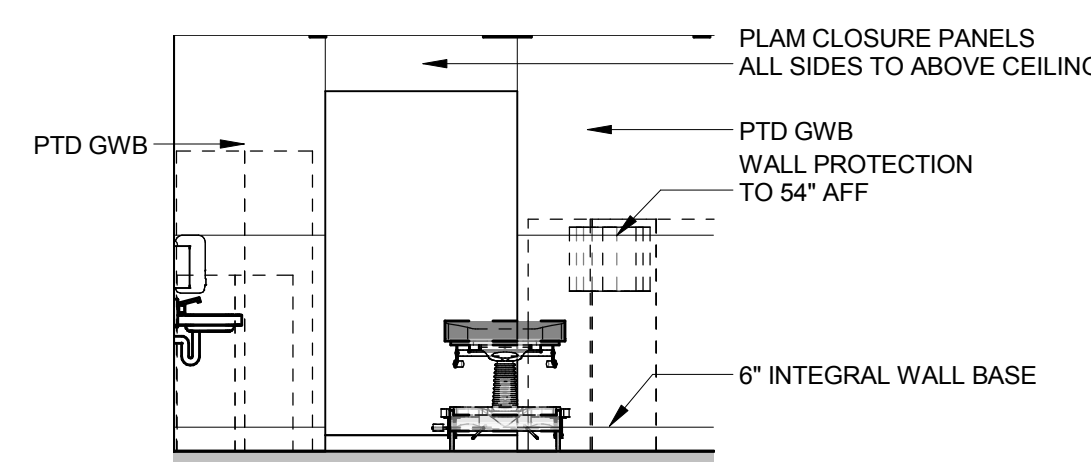
3 TYPICAL EXAM ROOM - VIEW 2
1/4" = 1'-0"



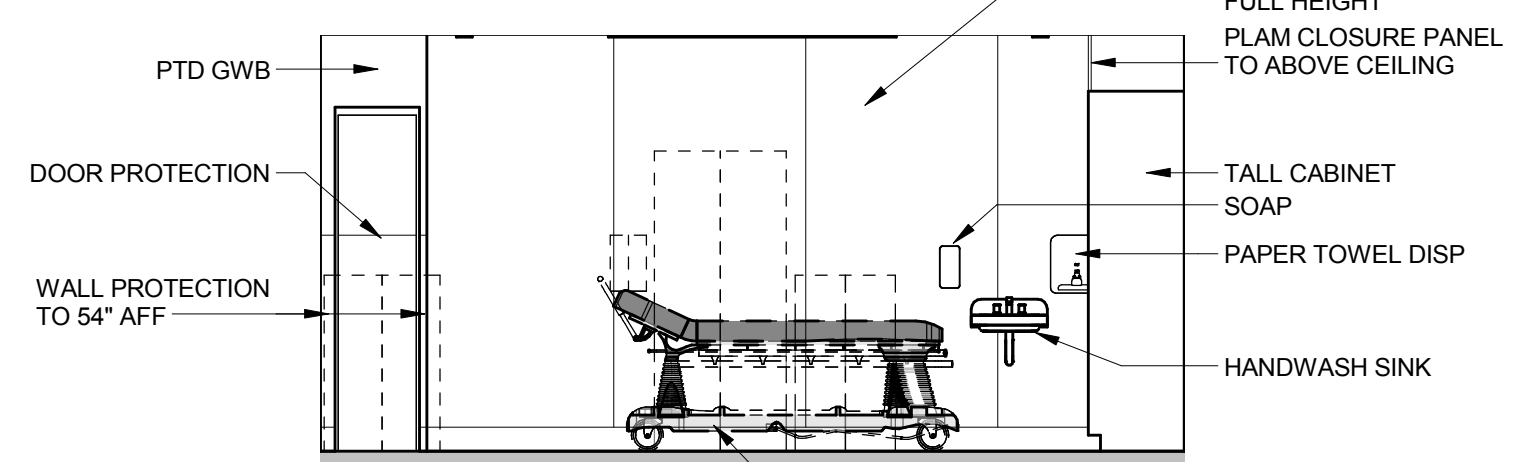
2 TYPICAL EXAM ROOM - VIEW 1
1/4" = 1'-0"



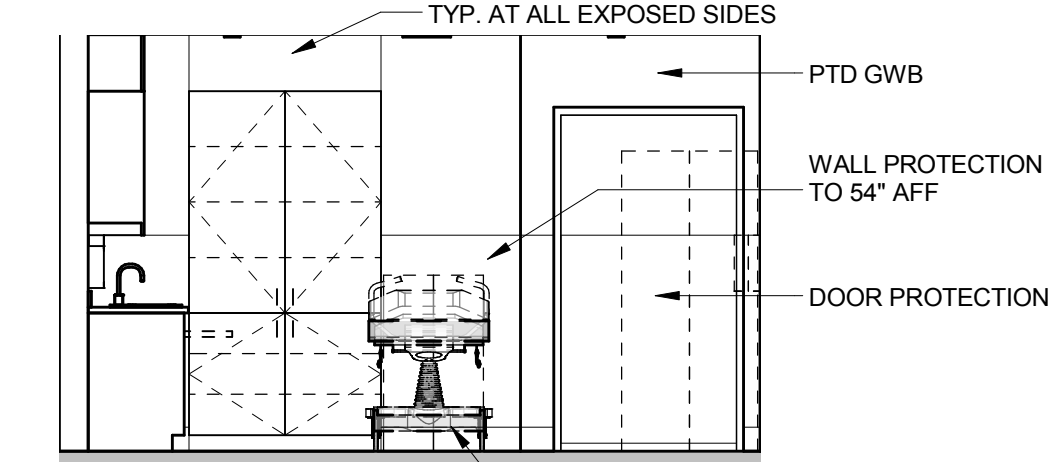
1 EXAM ROOM ALT. ELEVATION
1/4" = 1'-0"



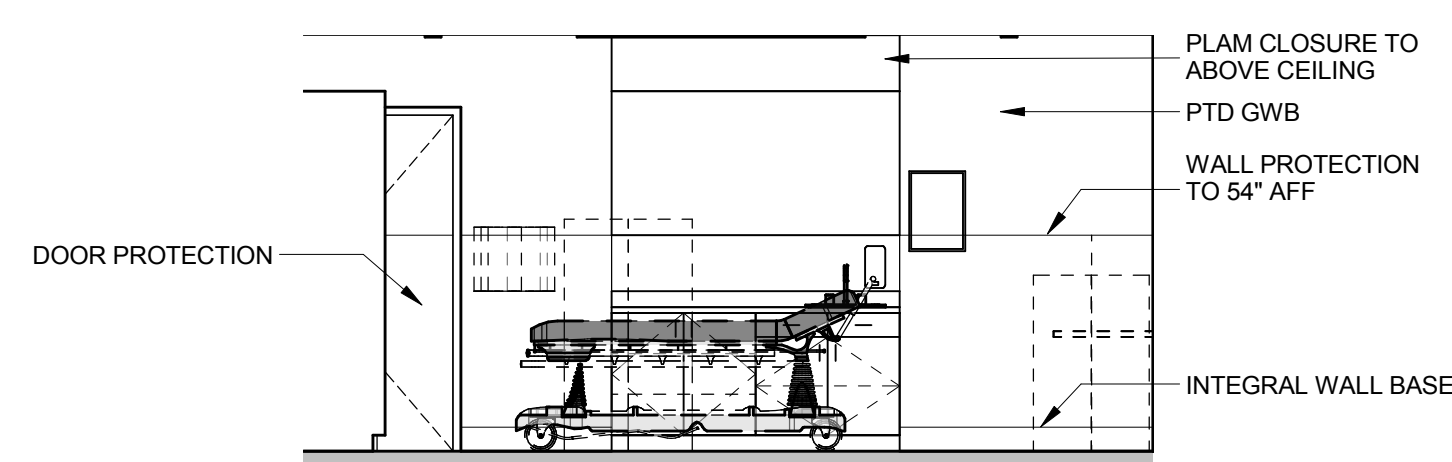
10 PROCEDURE 4
1/4" = 1'-0"



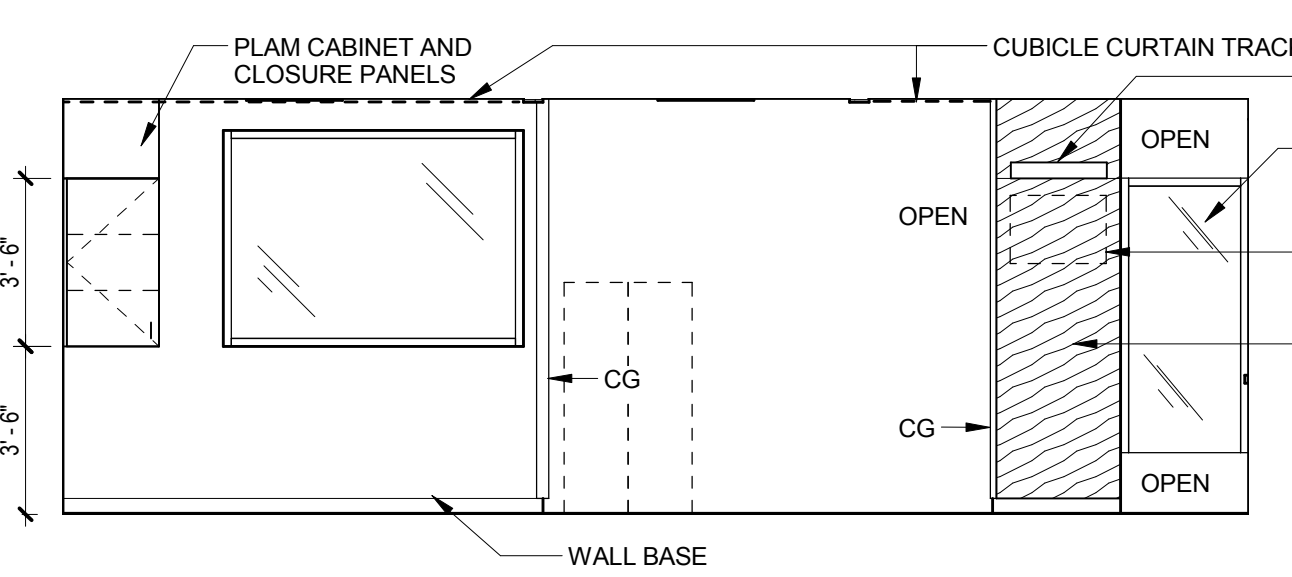
9 PROCEDURE 3
1/4" = 1'-0"



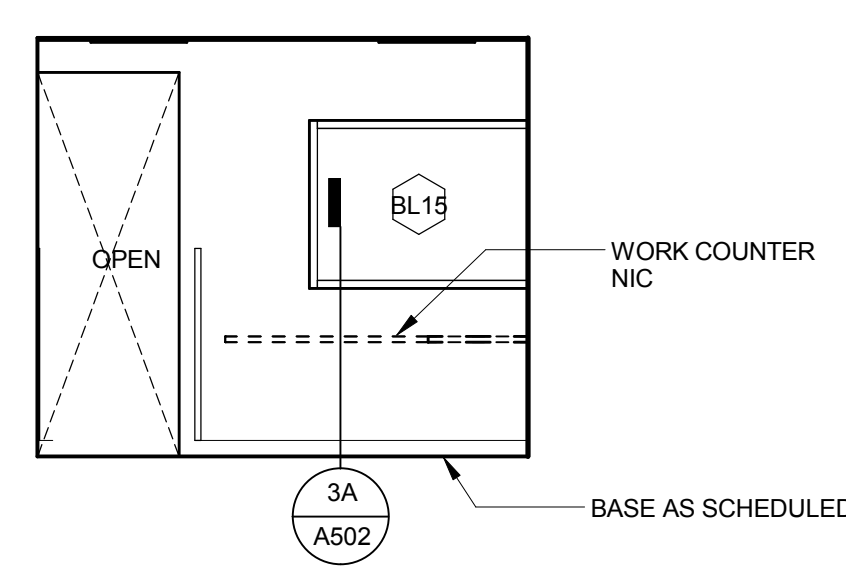
8 PROCEDURE 2
1/4" = 1'-0"



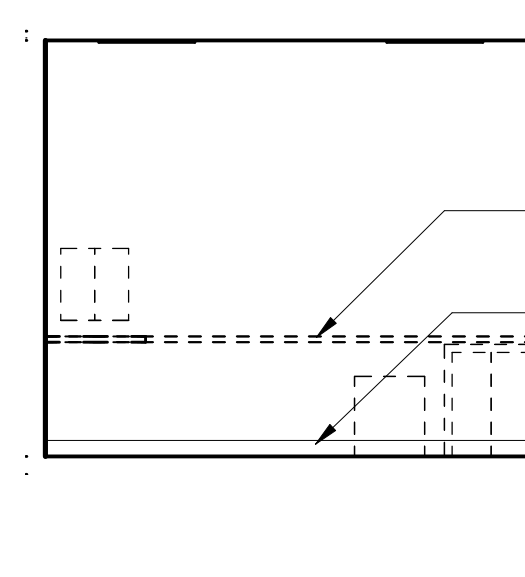
7 PROCEDURE 1
1/4" = 1'-0"



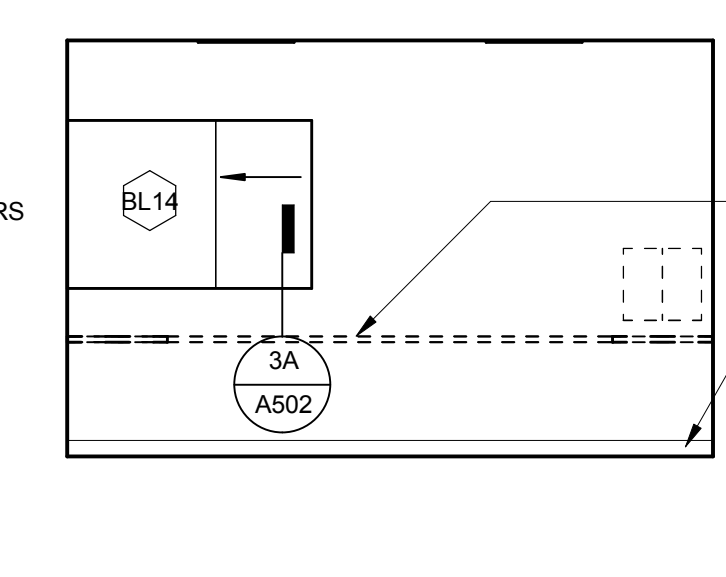
13 INFUSION BAY
1/4" = 1'-0"



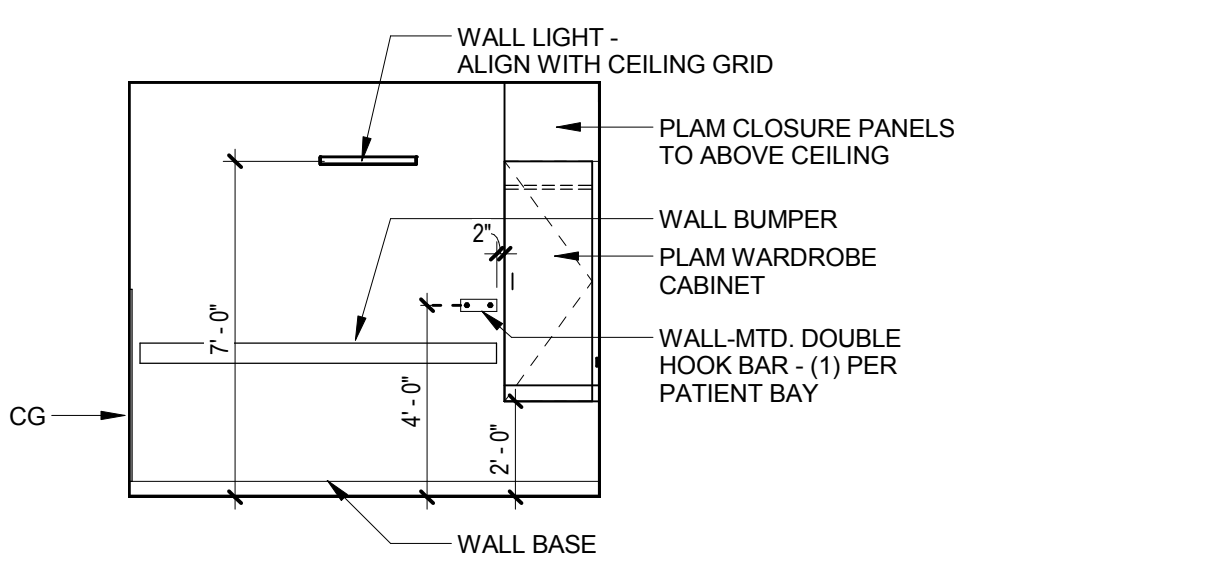
5D NURSE 445 - WEST
1/4" = 1'-0"



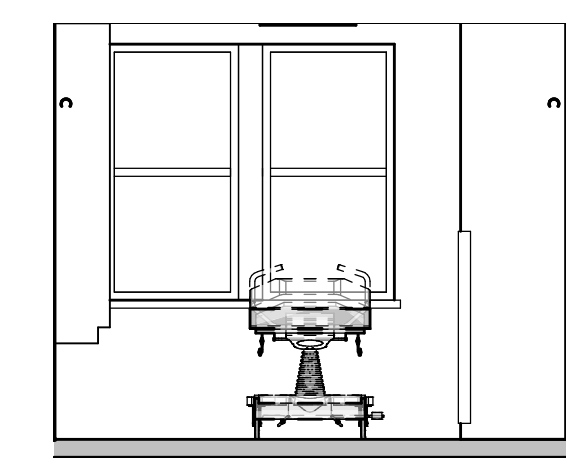
4D NURSE 445 - EAST
1/4" = 1'-0"



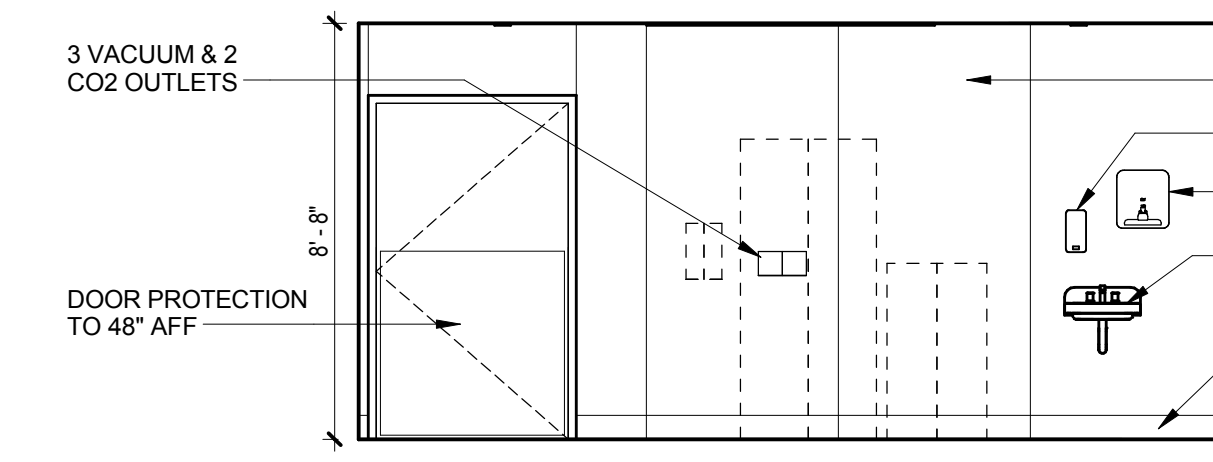
3D NURSE 445 - NORTH
1/4" = 1'-0"



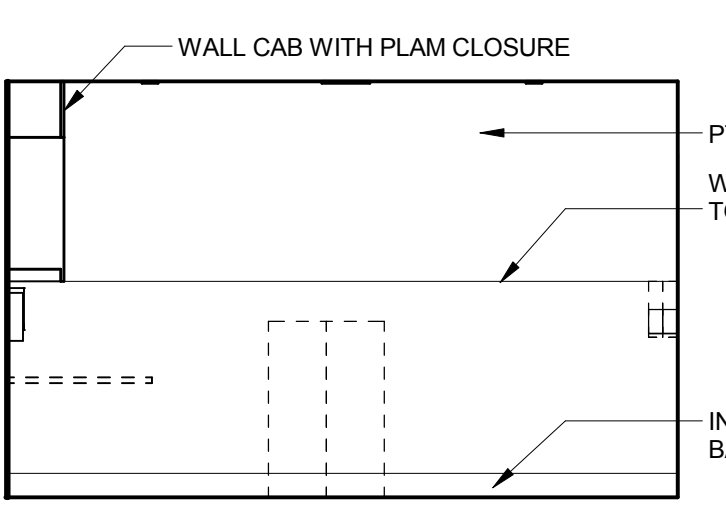
14 RECOVERY 1
1/4" = 1'-0"



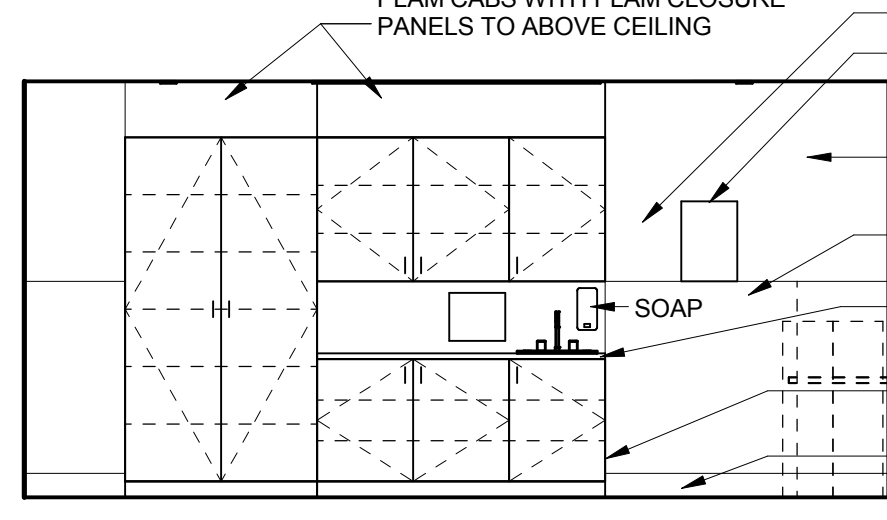
11 RECOVERY 2
1/4" = 1'-0"



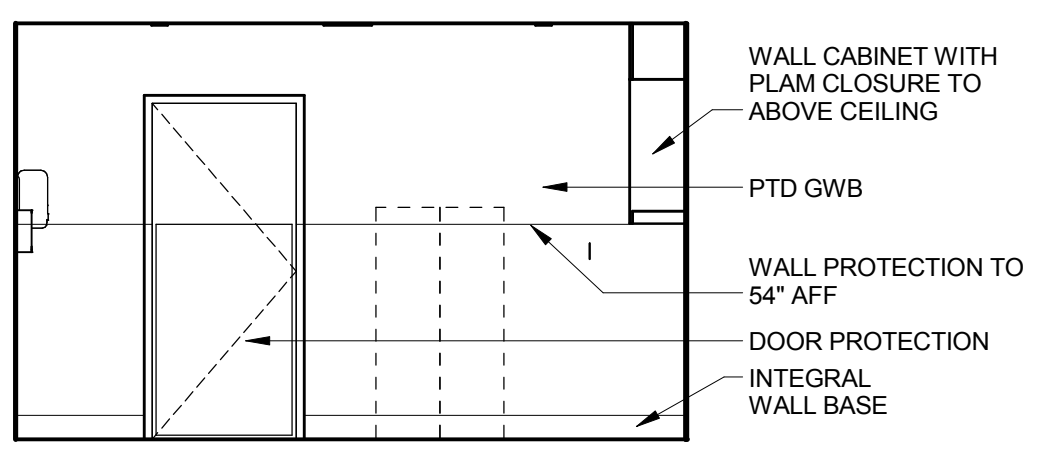
4C TYP. PROCEDURE WEST
1/4" = 1'-0"



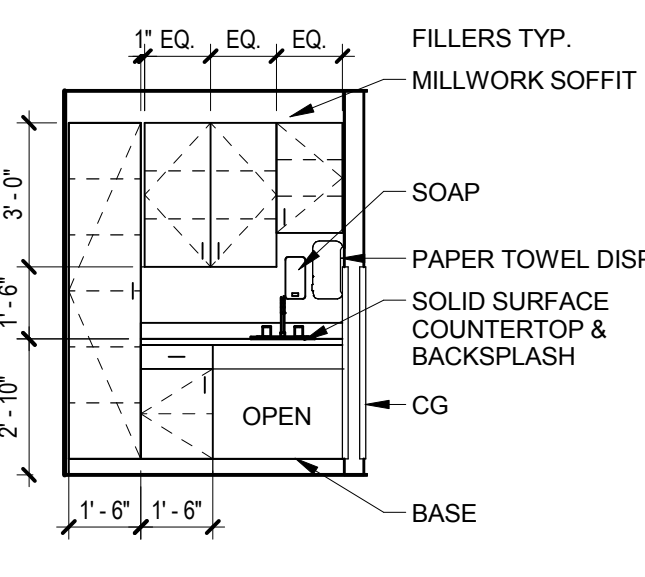
3C TYP. PROCEDURE SOUTH
1/4" = 1'-0"



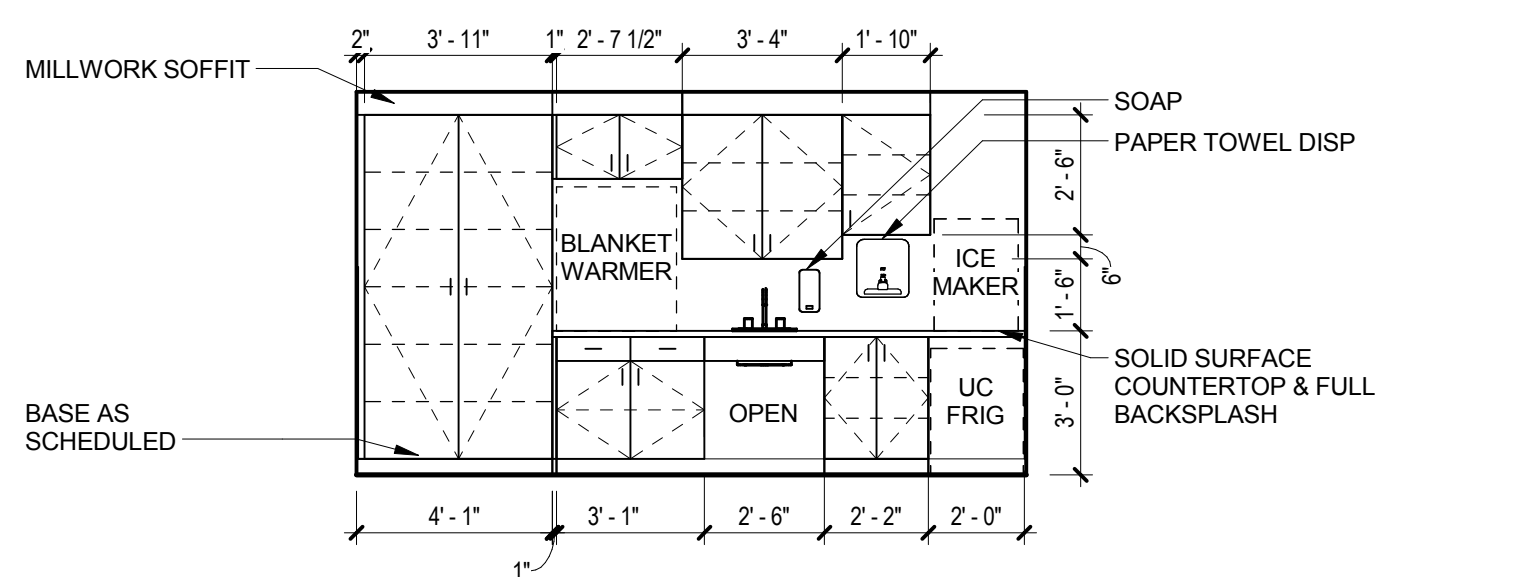
2C TYP. PROCEDURE EAST
1/4" = 1'-0"



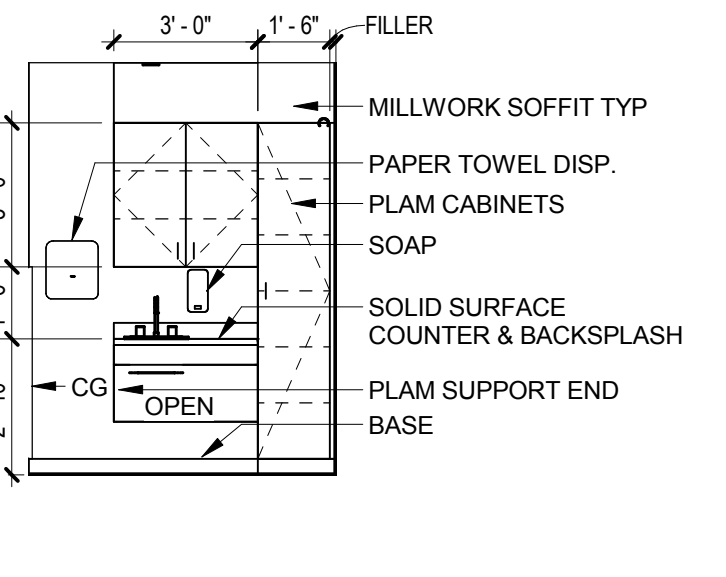
1C TYP. PROCEDURE NORTH
1/4" = 1'-0"



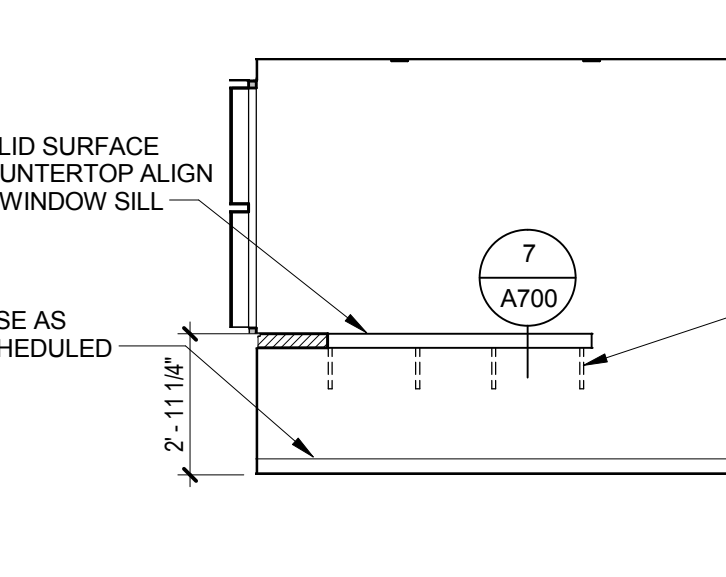
6B NURSE 480E
1/4" = 1'-0"



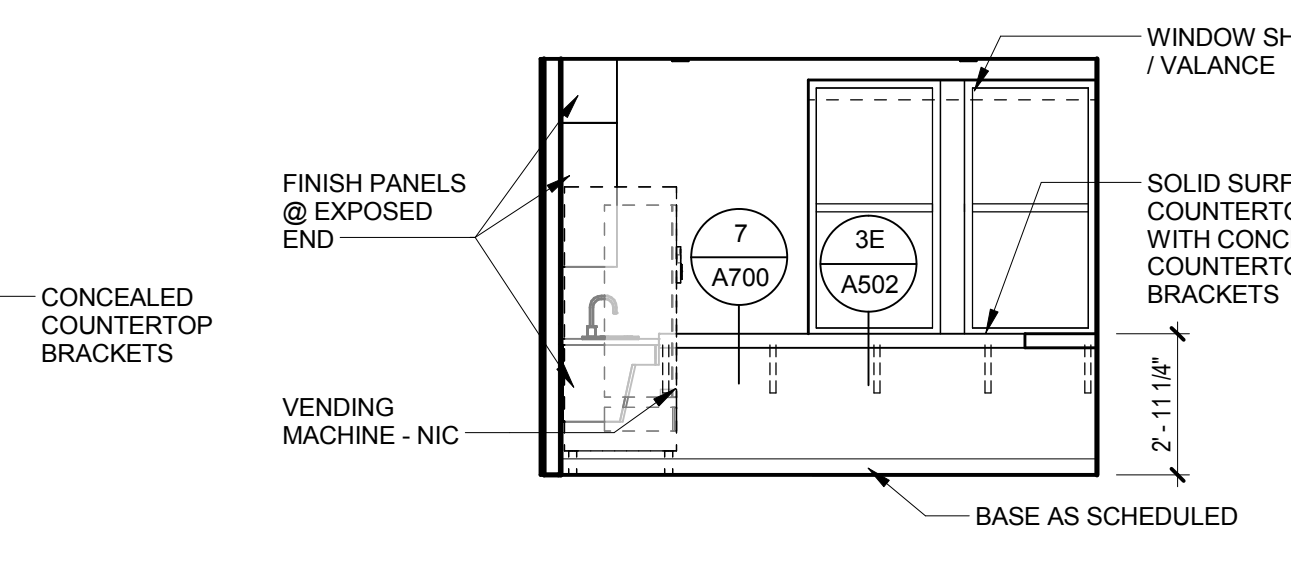
5B NURSE STATION 480A
1/4" = 1'-0"



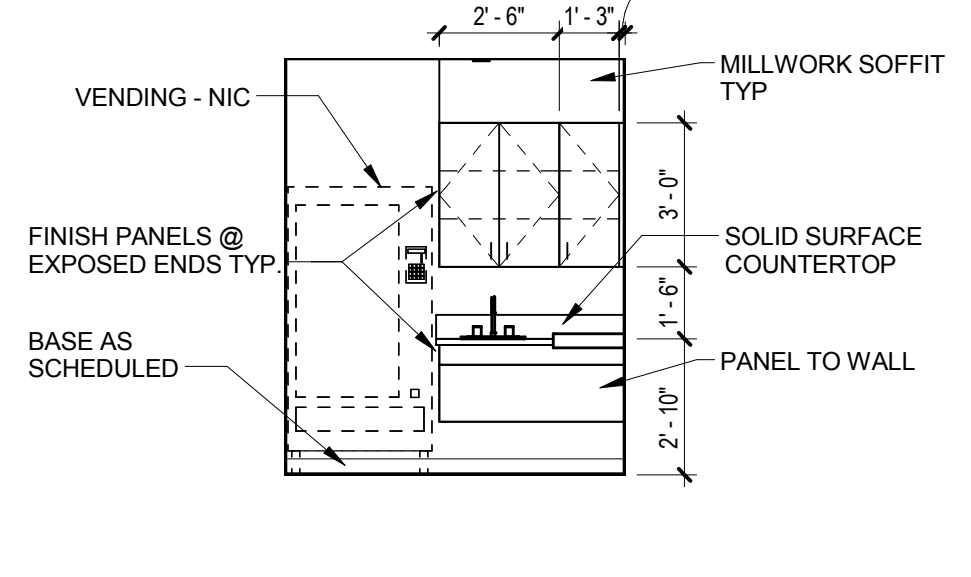
4B NURSE 480B
1/4" = 1'-0"



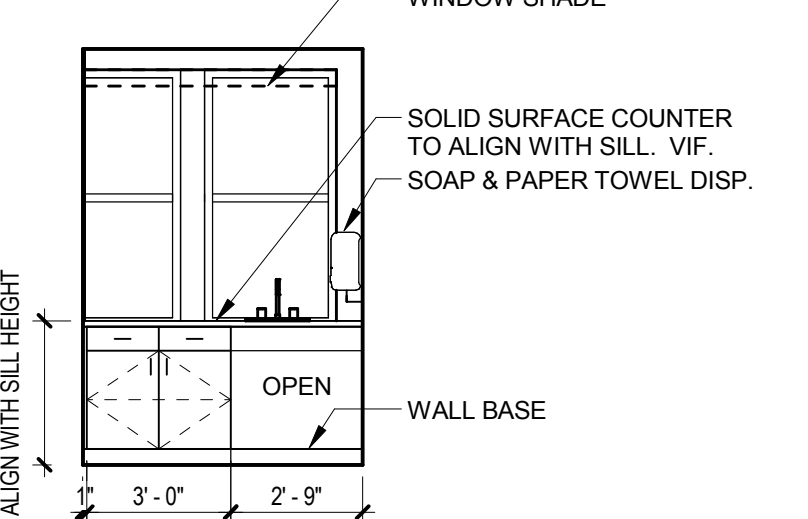
3B KITCHEN 415 - SOUTH
1/4" = 1'-0"



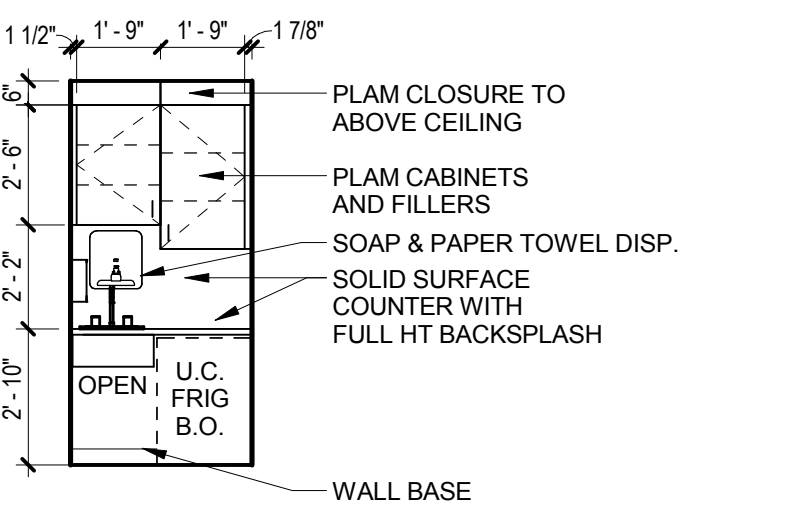
2B KITCHEN 415 EAST
1/4" = 1'-0"



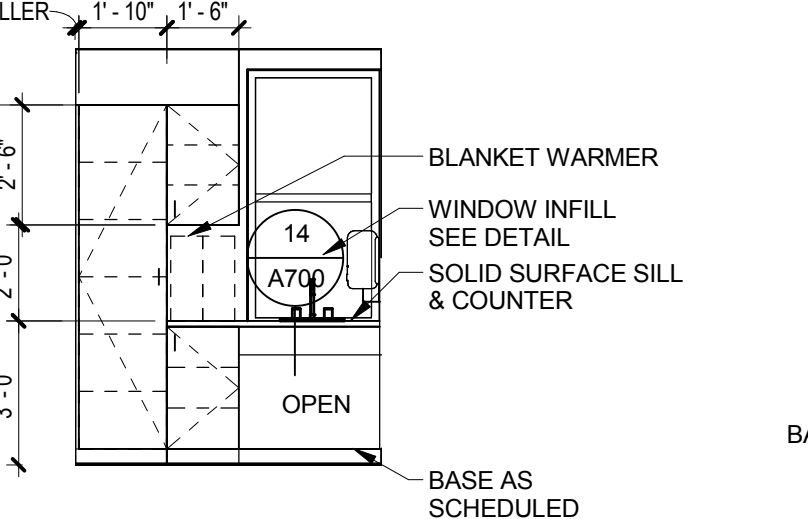
1B KITCHEN 415 - NORTH
1/4" = 1'-0"



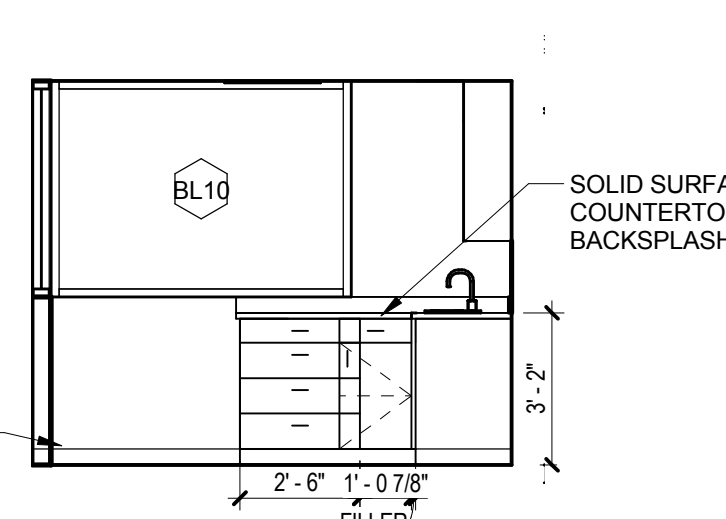
6A PREP STATION 480C
1/4" = 1'-0"



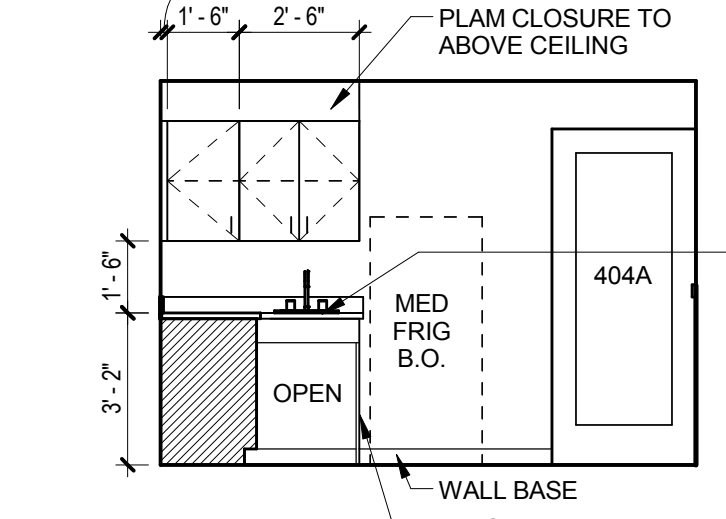
5A INFUSION CENTER 404
1/4" = 1'-0"



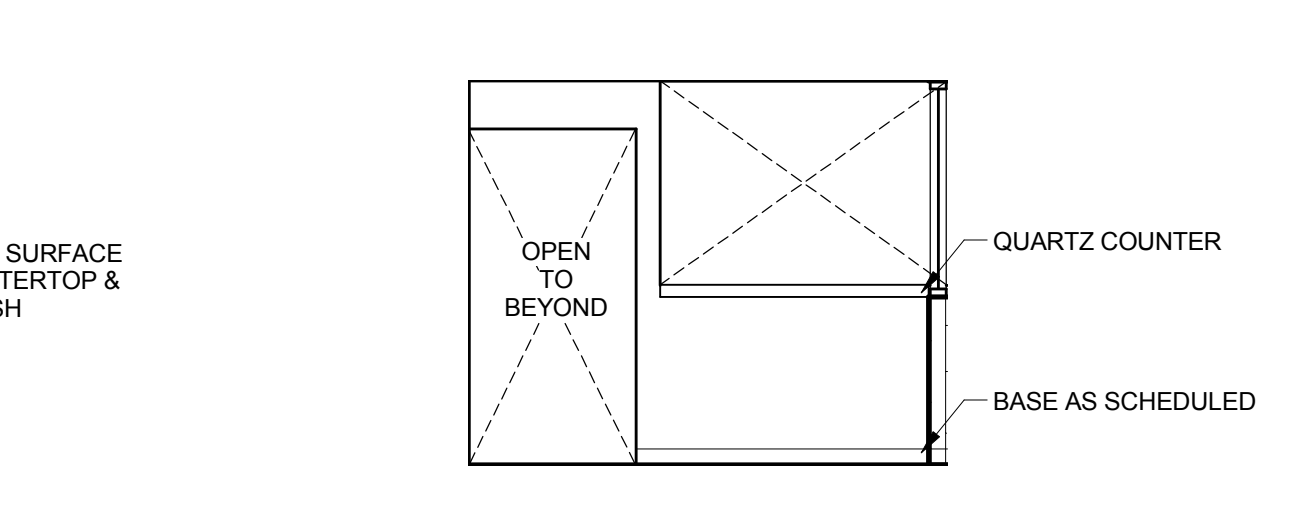
4A INFUSION CENTER 403 - SOUTH
1/4" = 1'-0"



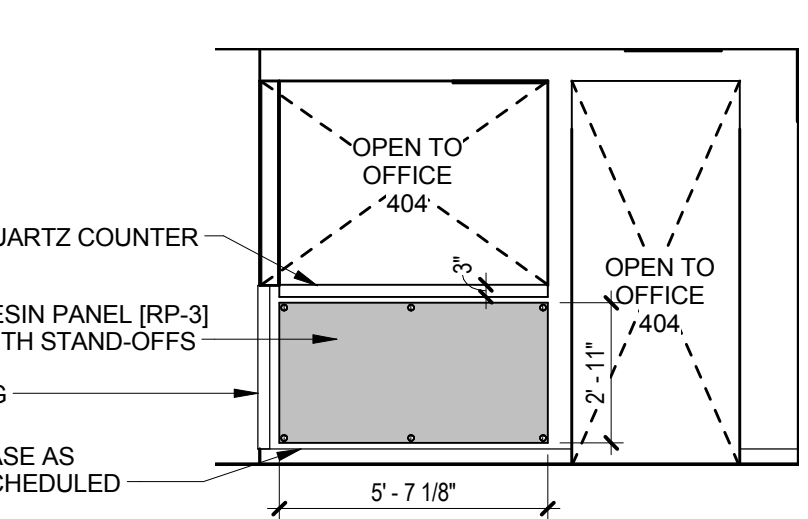
3A INFUSION CENTER OFFICE 404 - SOUTH
1/4" = 1'-0"



2A INFUSION CENTER OFFICE 404 - WEST
1/4" = 1'-0"



1A INFUSION CENTER OFFICE 404 - NORTH
1/4" = 1'-0"



6 Elevation 5 - a
1/4" = 1'-0"

3/18/2016 5:17:12 PM