

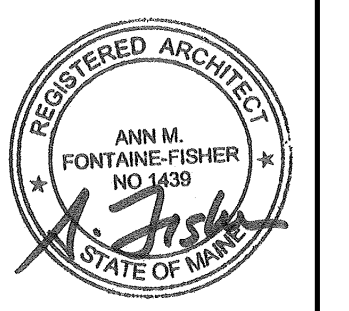
GENERAL NOTE:
ALL FULL HEIGHT PARTITIONS TO UNDERSIDE OF DECK



COPYRIGHT 2016
PDT Architects
Reuse or reproduction of the
contents of this document is not
permitted without written
permission of PDT Architects.

PORTLAND GASTROENTEROLOGY CENTER
161 Marginal Way Portland, Maine

No.	Date	Description
		Revision Schedule



JOB NO.
14054

DRWN. CHK
Checker

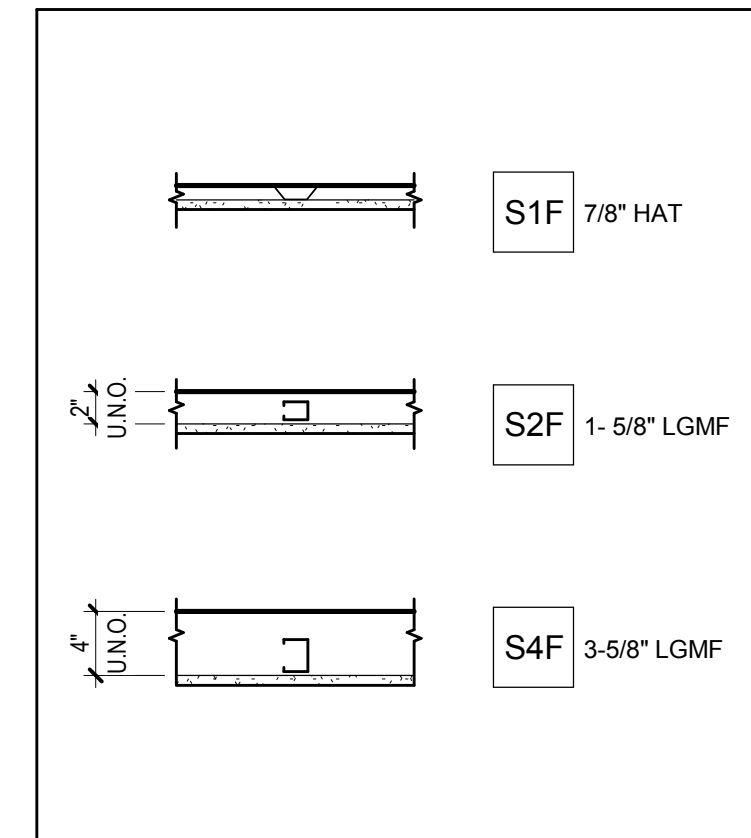
SCALE:

ISSUE
PERMIT SET
03/18/16

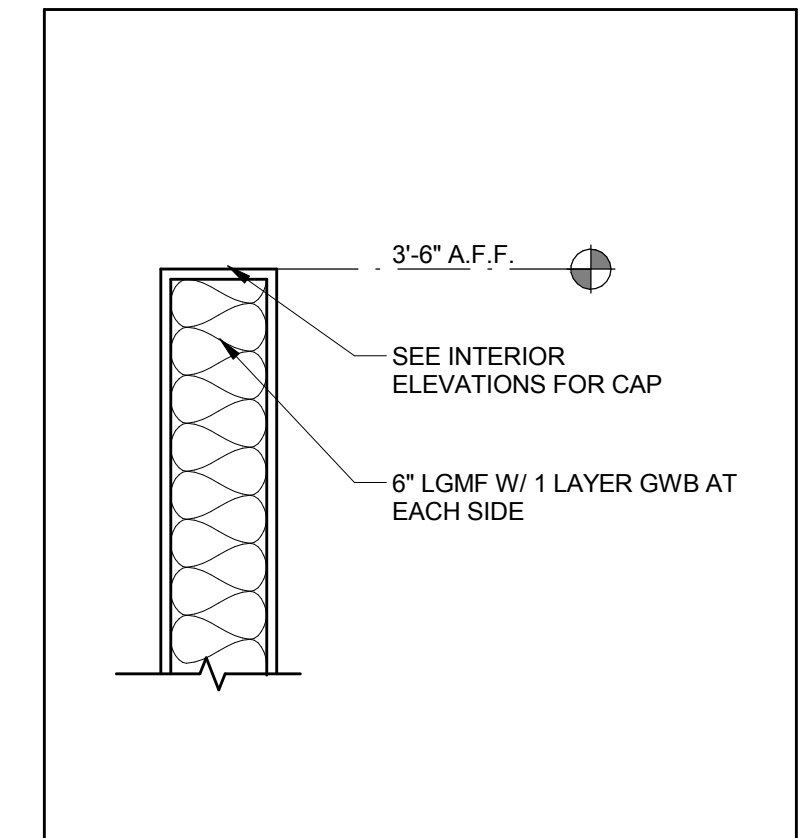
TITLE
TYPICAL ASSEMBLIES &
MOUNTING HEIGHTS

SHEET

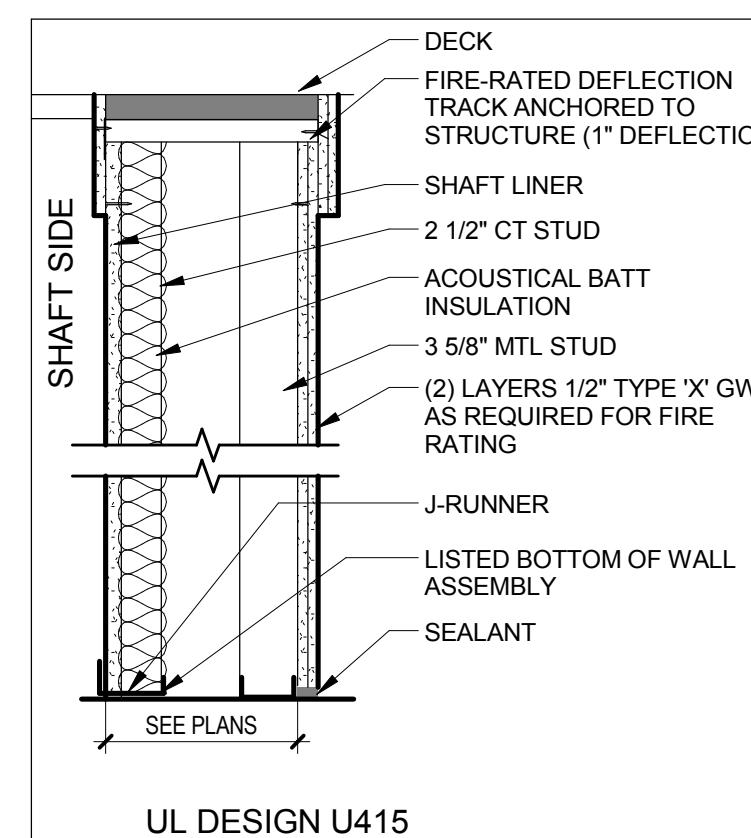
A003



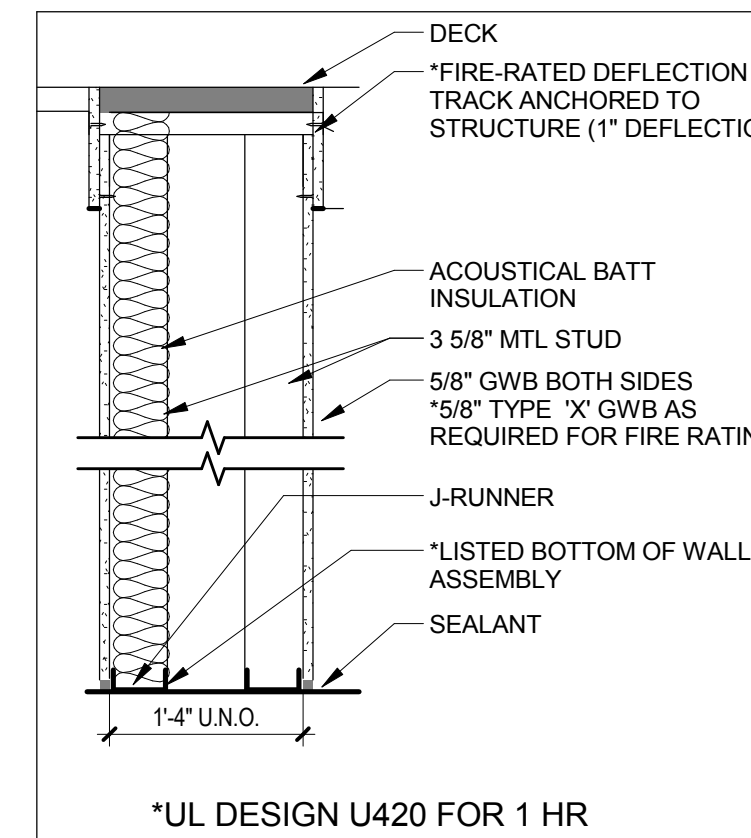
METAL STUD FURRING
EXTEND GWB 3" ABOVE
FIN. CLG. U.N.O.



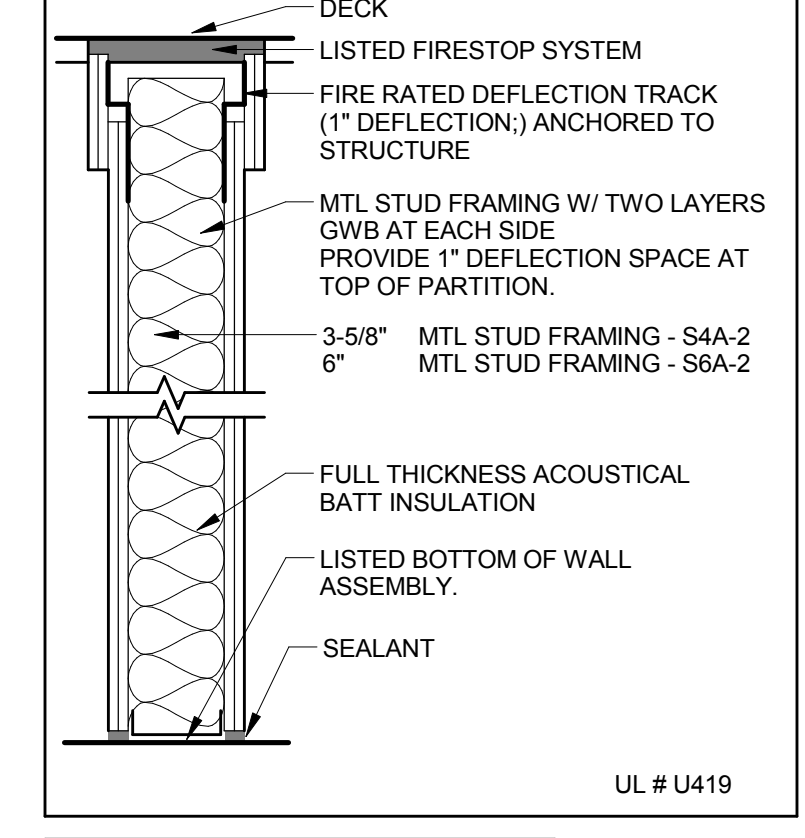
METAL STUD PARTITION
PARTIAL HEIGHT



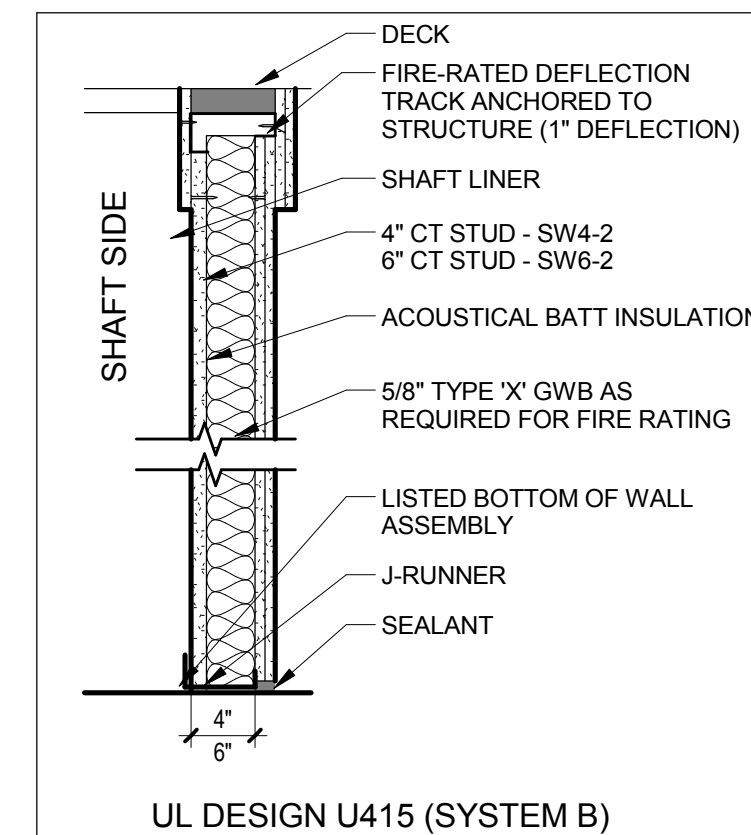
CHASE SHAFT WALL
2-HOUR FIRE RATED



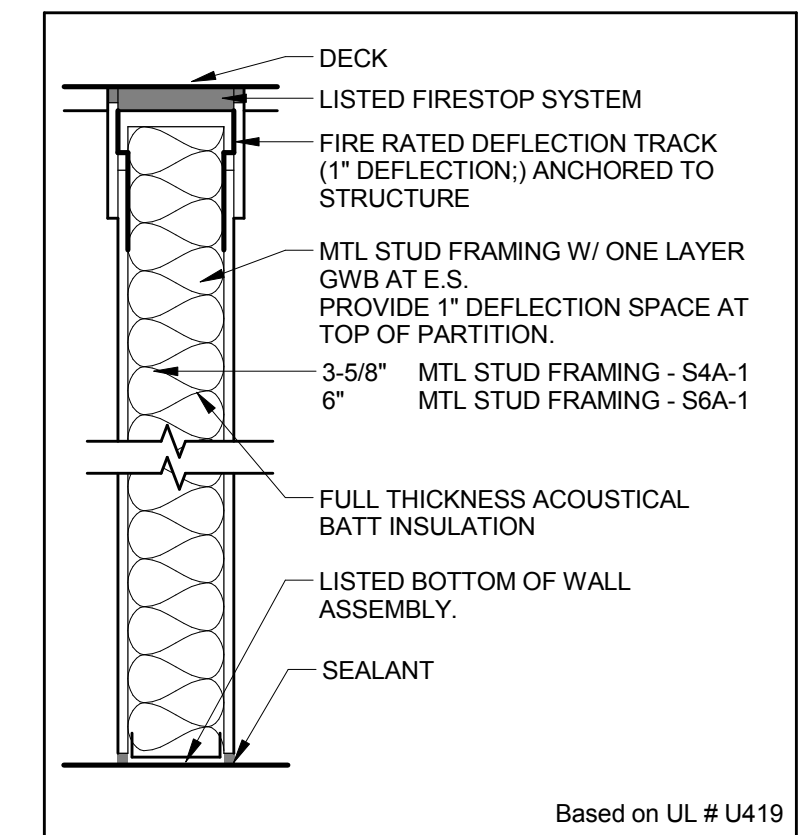
CHASE WALL



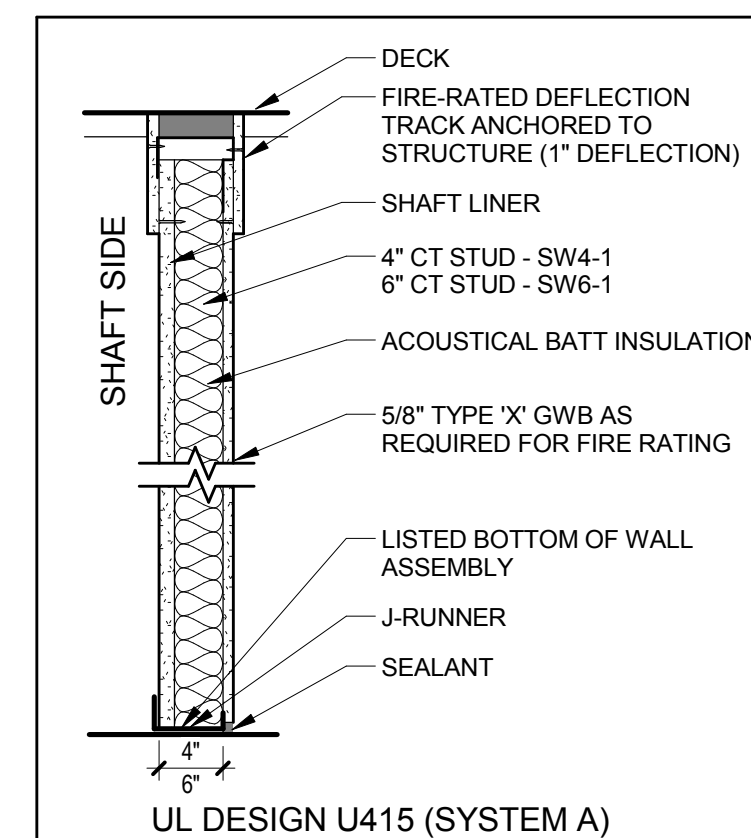
METAL STUD
FULL HEIGHT
2-HOUR FIRE-RATED



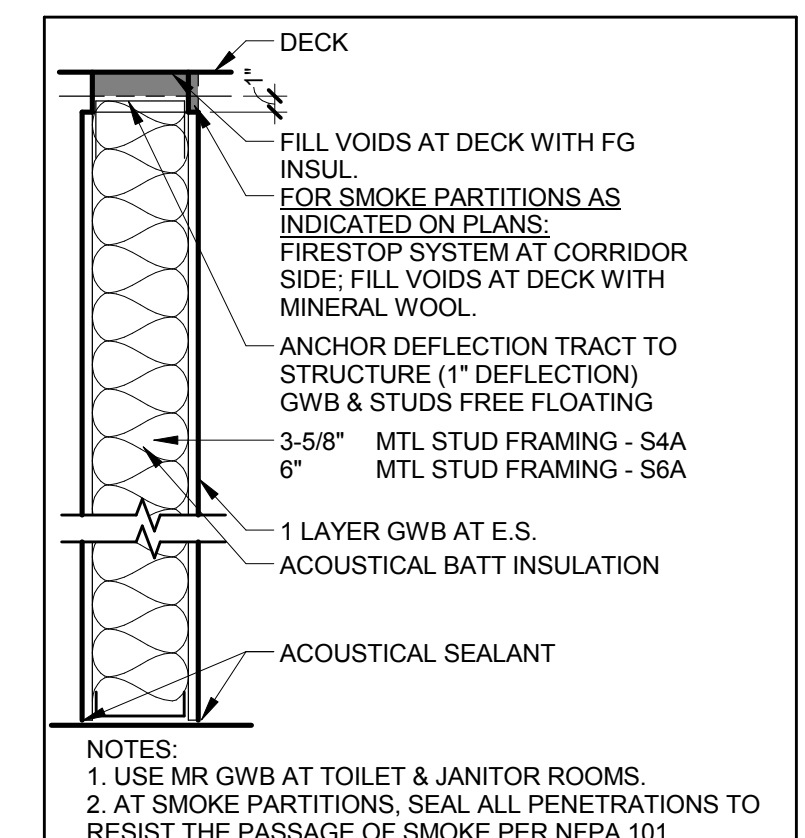
SHAFT WALL SYSTEM
2-HOUR FIRE RATED



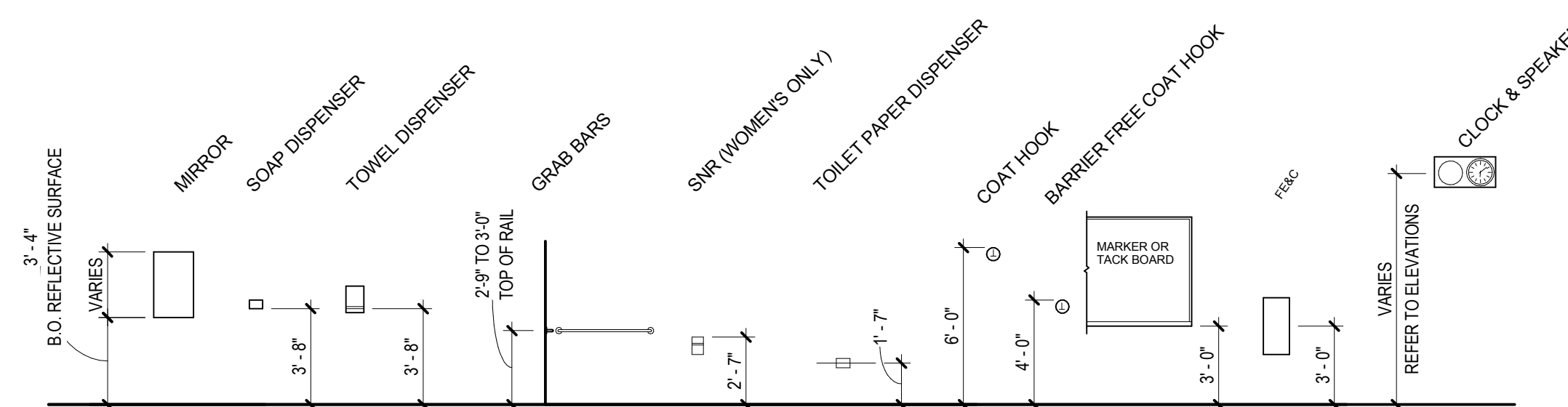
METAL STUD
FULL HEIGHT
1-HOUR FIRE-RATED



SHAFT WALL SYSTEM
1-HOUR FIRE RATED



METAL STUD PARTITION
FULL HEIGHT



- MOUNTING HEIGHT GENERAL NOTES:**
- SEE MECHANICAL, ELECTRICAL, AND TECHNOLOGY DRAWINGS FOR SPECIFIC FIXTURE OR DEVICE LOCATION AND DESIGNATION AND ADDITIONAL MOUNTING REQUIREMENTS.
 - COORDINATE LOCATION OF ALL RECEPTACLES, FIXTURES OR DEVICES WITH INTERIOR ELEVATIONS AND CASEWORK LOCATIONS.
 - REFER TO MANUFACTURER'S INSTRUCTIONS FOR SPECIFIC ADA REQUIRED MOUNTING HEIGHTS AS APPLICABLE.