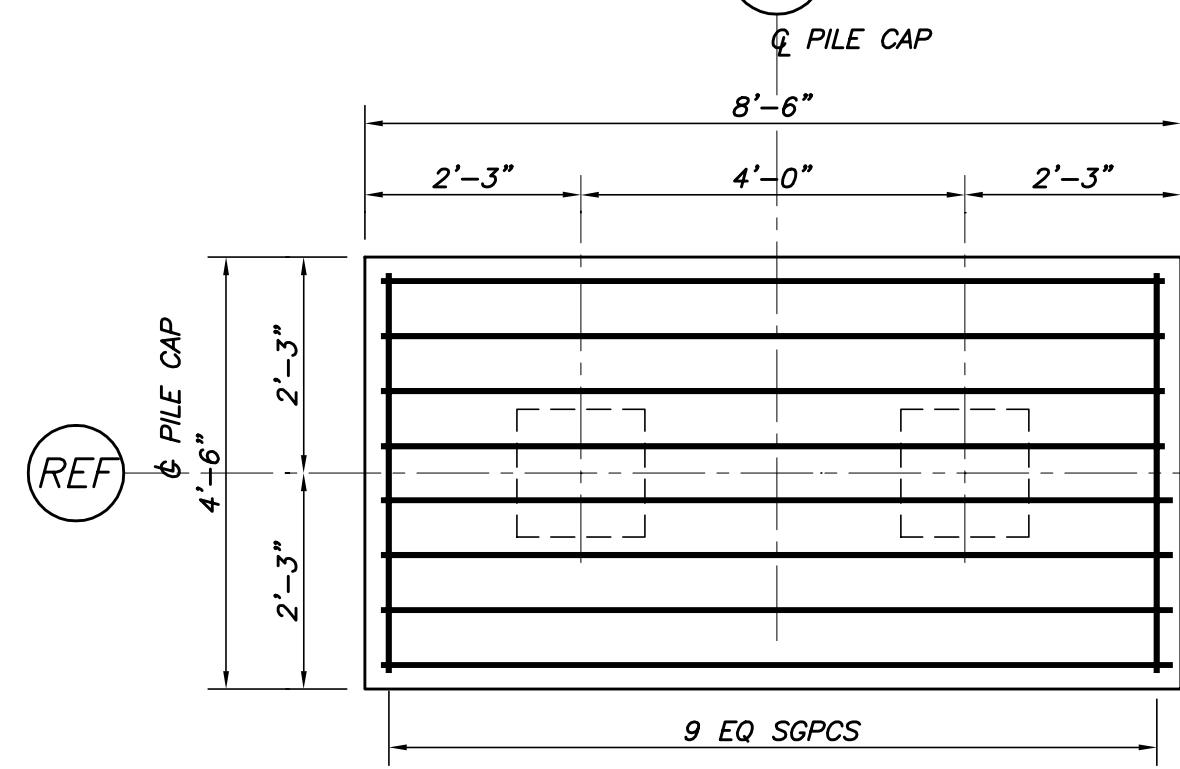
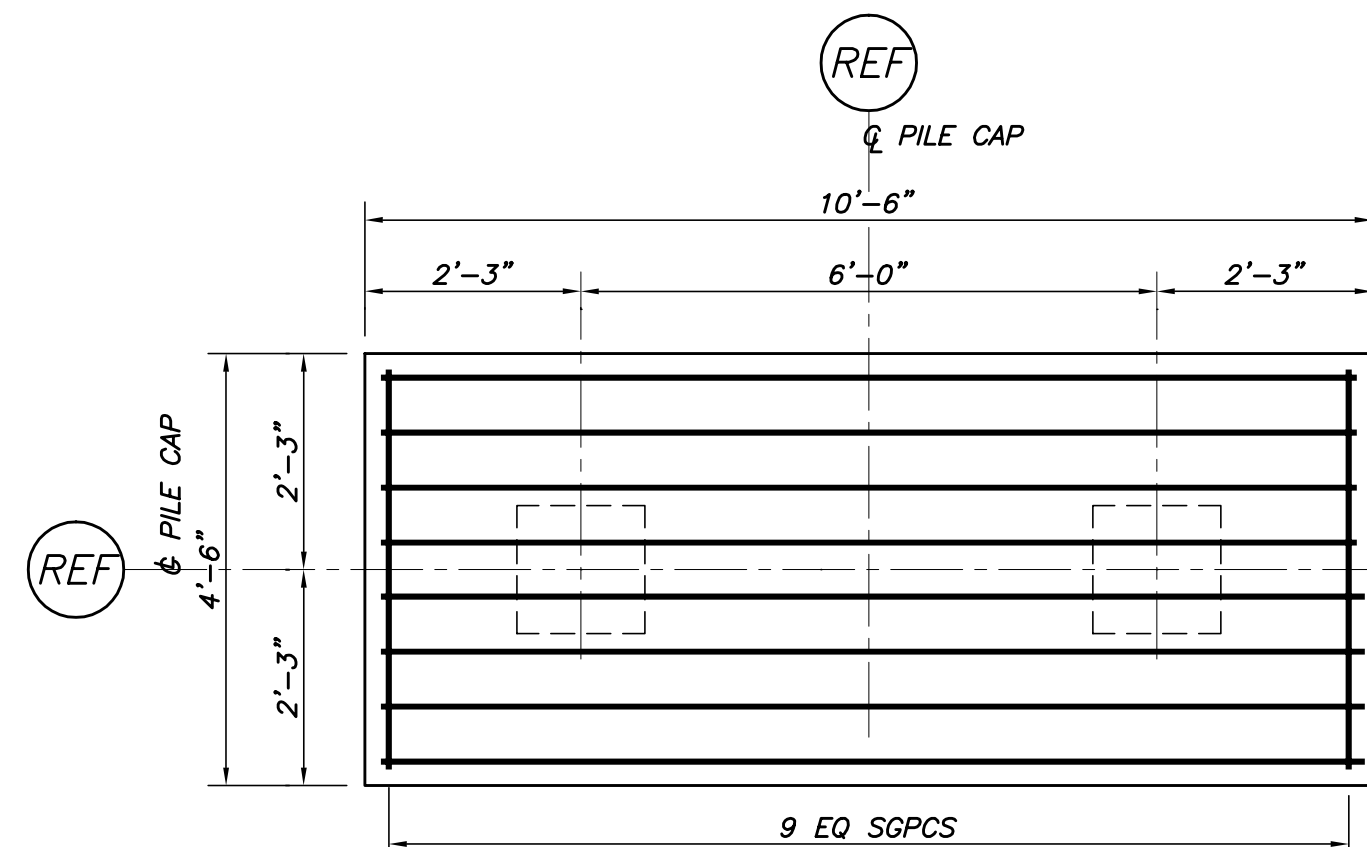


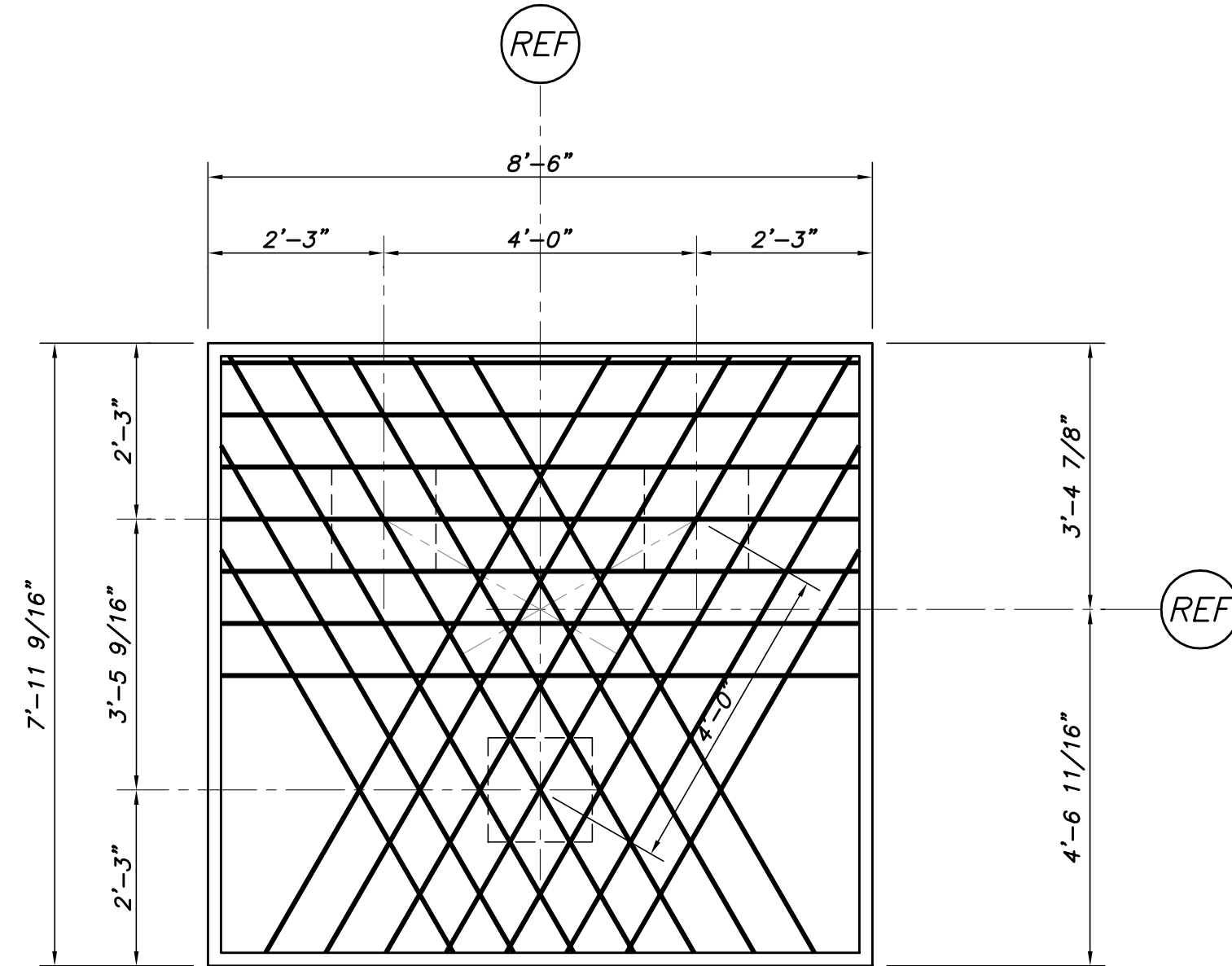
ADDL REINF AT GPC2



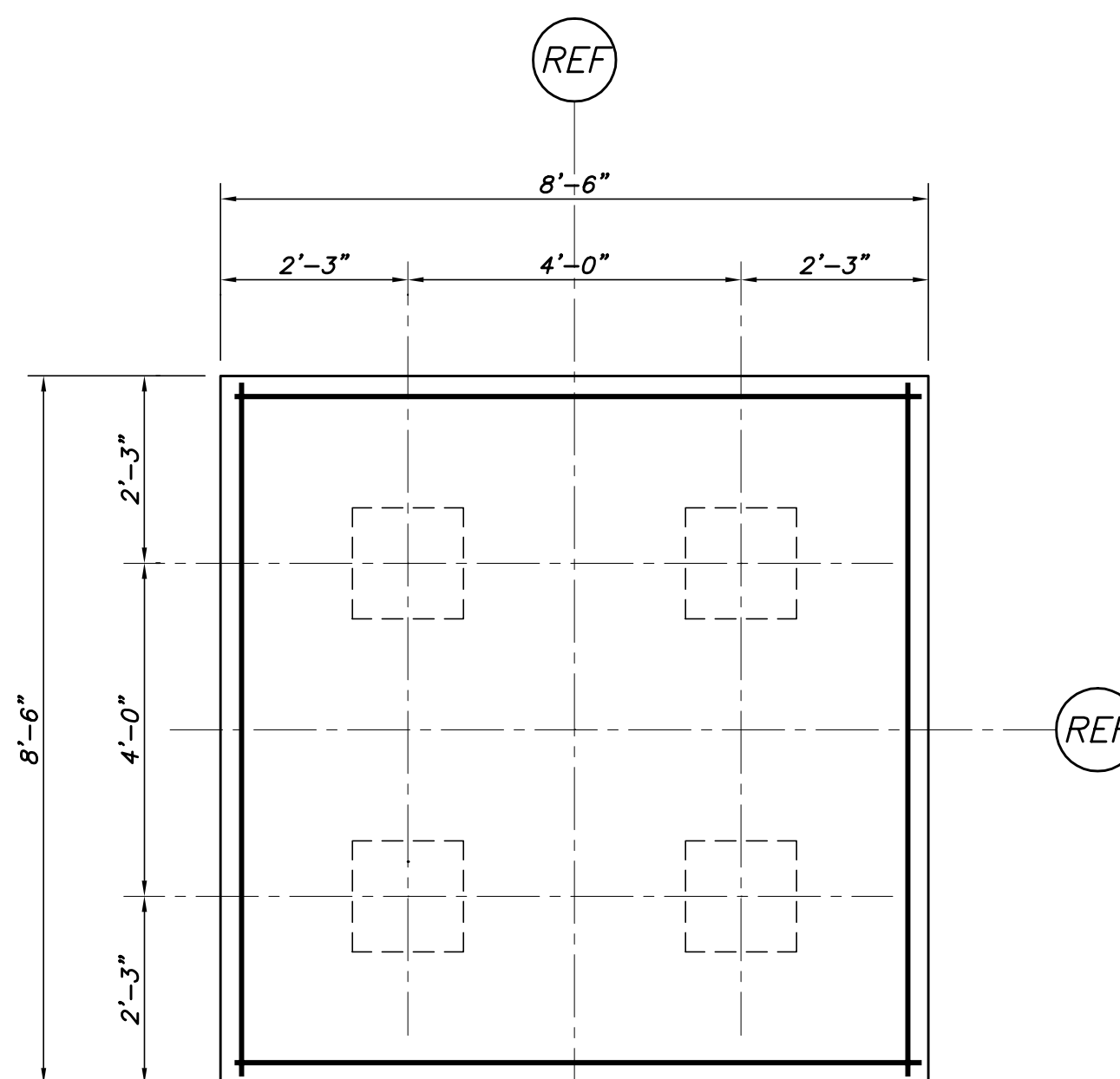
DEPTH = 4'-0"
BOTTOM REINF: 8#6 L.W. W/STD 180° HOOKS (SHOWN)
TOP REINF: 5#6 L.W.



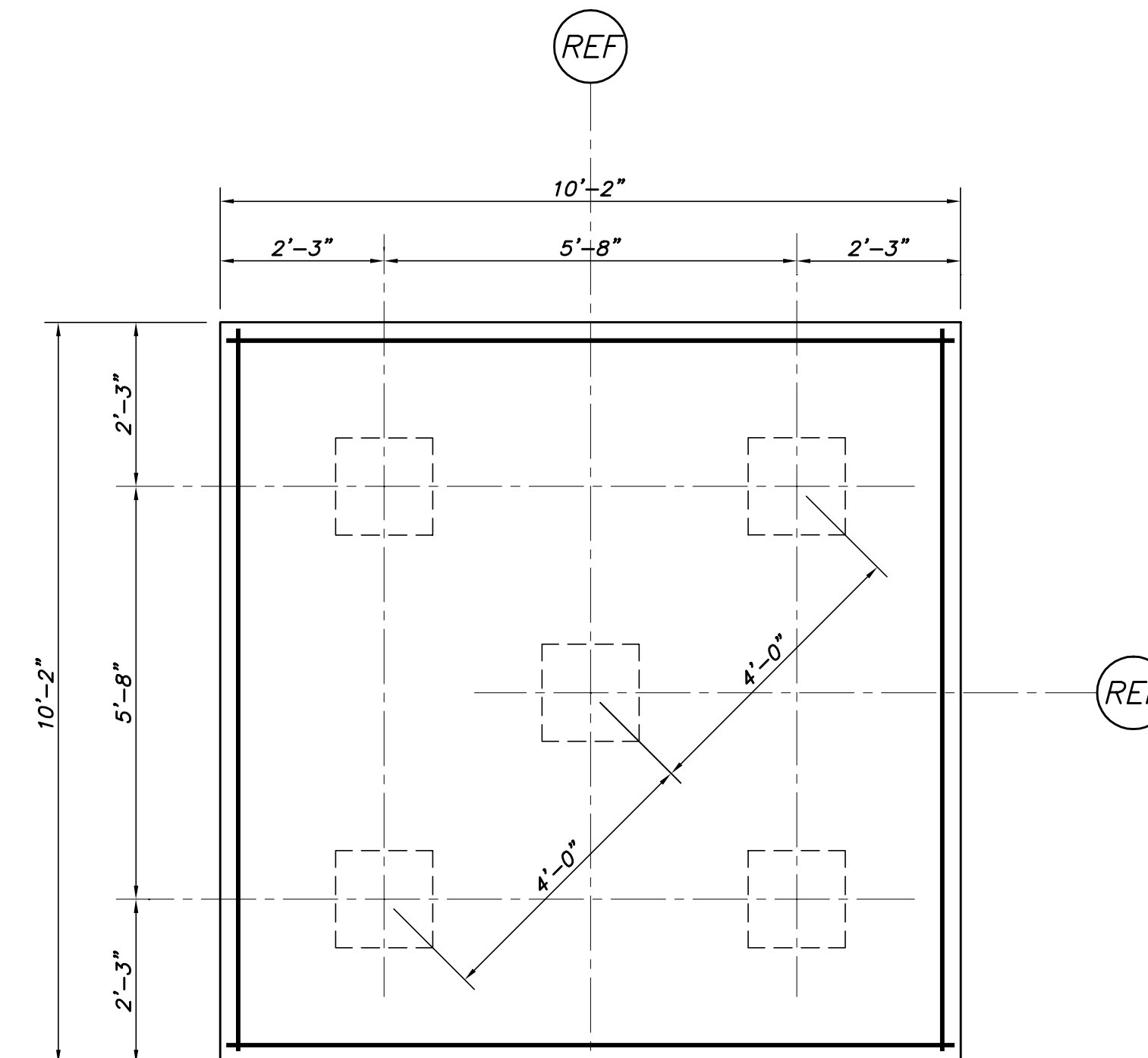
DEPTH = 4'-0"
BOTTOM REINF: 8#6 L.W. W/STD 180° HOOKS (SHOWN)
TOP REINF: 5#6 L.W.



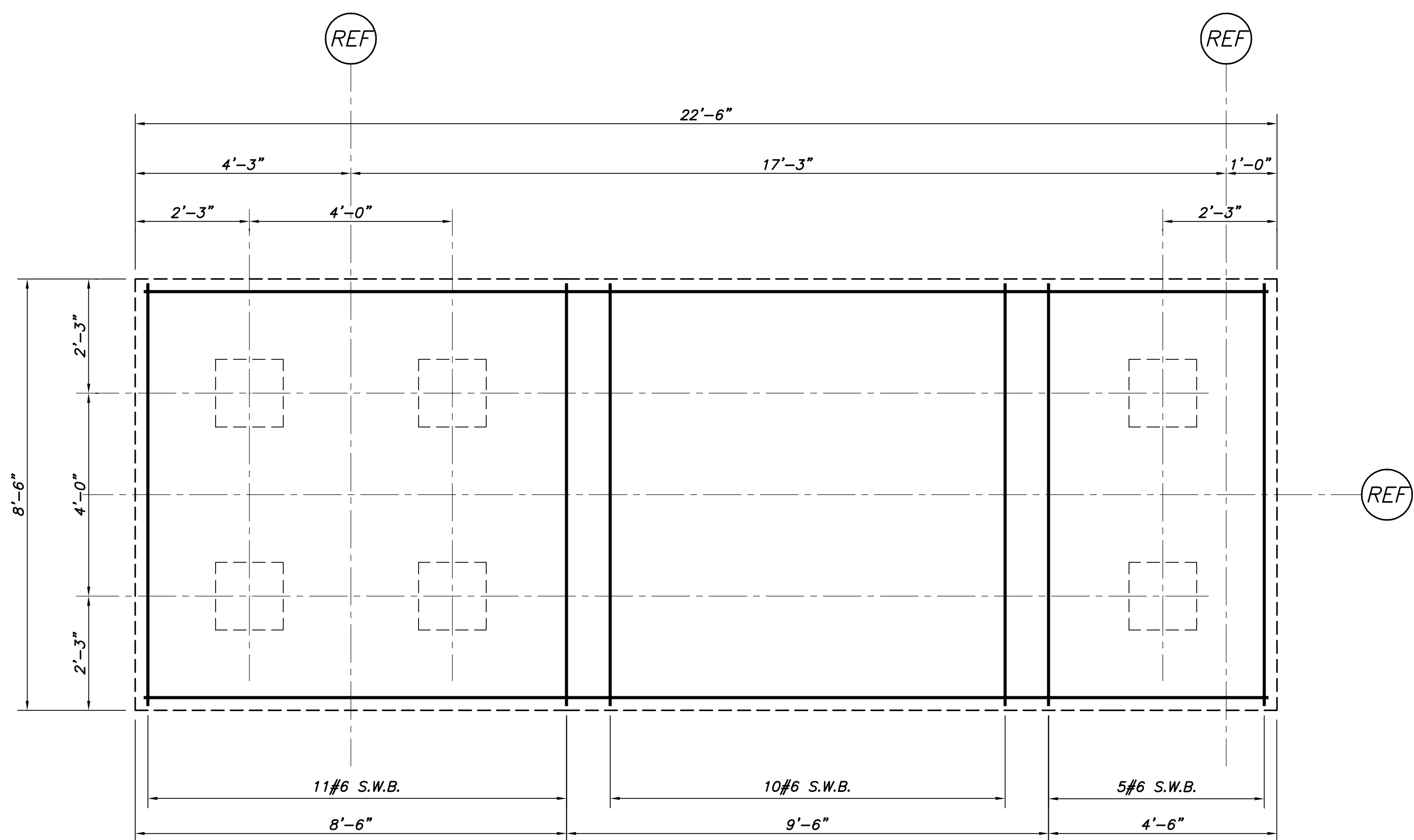
DEPTH = 4'-0"
BOTTOM REINF: 7#8 (3) WAYS W/STD 180° HOOKS



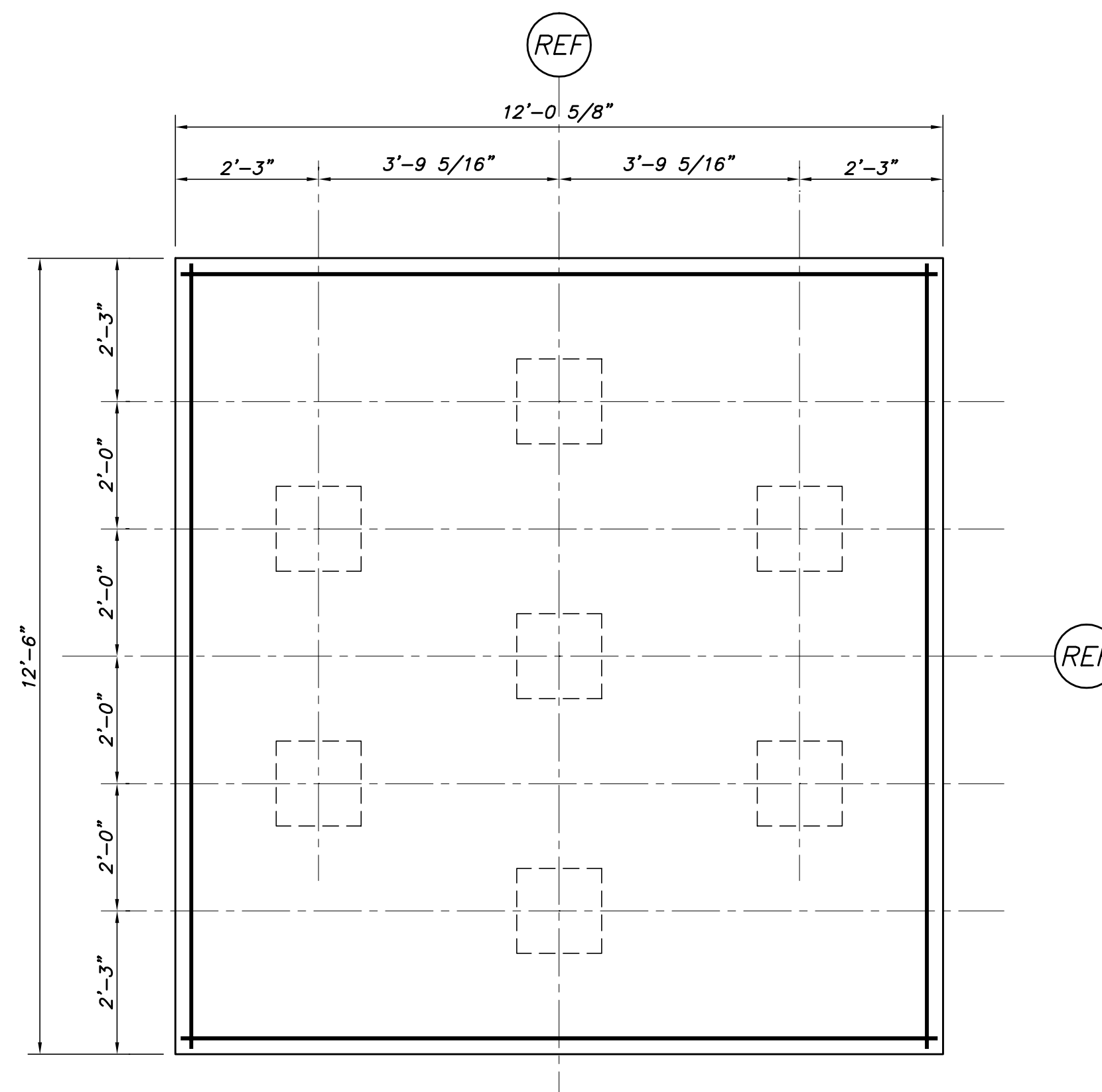
DEPTH = 4'-0"
BOTTOM REINF: 11#9 E.W. W/STD 180° HOOKS



DEPTH = 4'-2"
BOTTOM REINF: 15#9 E.W. W/STD 180° HOOKS



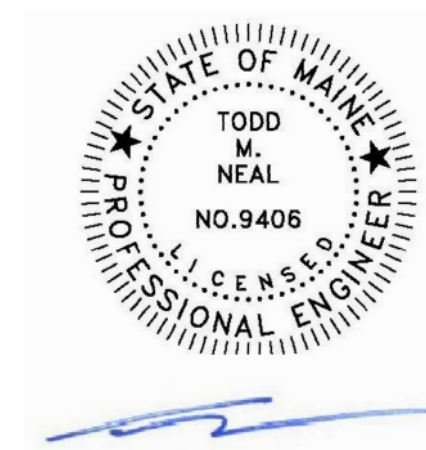
DEPTH = 4'-0"
TOP REINF: 12#6 L.W. W/STD 180° HOOKS
24#6 S.W. W/STD 180° HOOKS
BOTTOM REINF: SEE PLAN



DEPTH = 5'-2"
BOTTOM REINF: 14#10 L.W. W/STD 180° HOOKS
14#10 S.W. W/STD 180° HOOKS

TYP PILE CAP DETAILS

- NOTES:
1. PILES SHALL BE 320 KIP (160 TON) NET CAPACITY PILES.
2. ALL PILE REINF SHALL BE BOT U.N.O.



CONSTRUCTION MANAGER
CONSGLI
75 Van Street
Portland, Maine 04101
Phone 207-775-3000
Fax 207-775-3000

PARKING GARAGE ARCHITECT:
SSM
75 Van Street
Portland, Maine 04101
Phone 207-775-4800
Fax 207-620-4050

PARKING GARAGE STRUCTURAL ENGINEER:
BECKER
75 Van Street
Portland, Maine 04101
Phone 207-679-1000
Fax 207-679-1002

STEELWORK ENGINEER:
CROSSBOND
45 Harbor Drive
Portland, Maine 04102
Phone 855-624-6262
Fax 207-774-9625

85 Cedar Street Suite 103
Providence, Rhode Island 02903
Phone 866-666-7897
Fax 401-251-0507

HARRIMAN
Architects + Engineers
Auburn Business Park
86 Harriman Drive
Auburn, Maine 04210
207-784-5100 Ext.
207-782-3017 fax

123 Middle Street
Portland, Maine 04101
207-775-0653 ext.
207-775-0460 fax

www.harriman.com
© 2008

Project Title
BAYCO LLC
BAYSIDE
DEVELOPMENT
PORTLAND, MAINE
PARKING GARAGE

Project No. 2008-0040

Key Plan
Future Building Parking Garage Office Building

General Notes or Legends Here

Mark	Date	Description
1-7-08	100% SITE ENABLING PACKAGE	
12-19-08	50% CONSTRUCTION DOCUMENTS	
11-26-08	100% DESIGN DEVELOPMENT	
10-29-08	50% DESIGN DEVELOPMENT	

100% SITE ENABLING PACKAGE

TYP PILE CAP/
GRADE BEAM
SECTIONS & DETAILS

PA/PE: MJJM Drawn By: APP

GS20.2