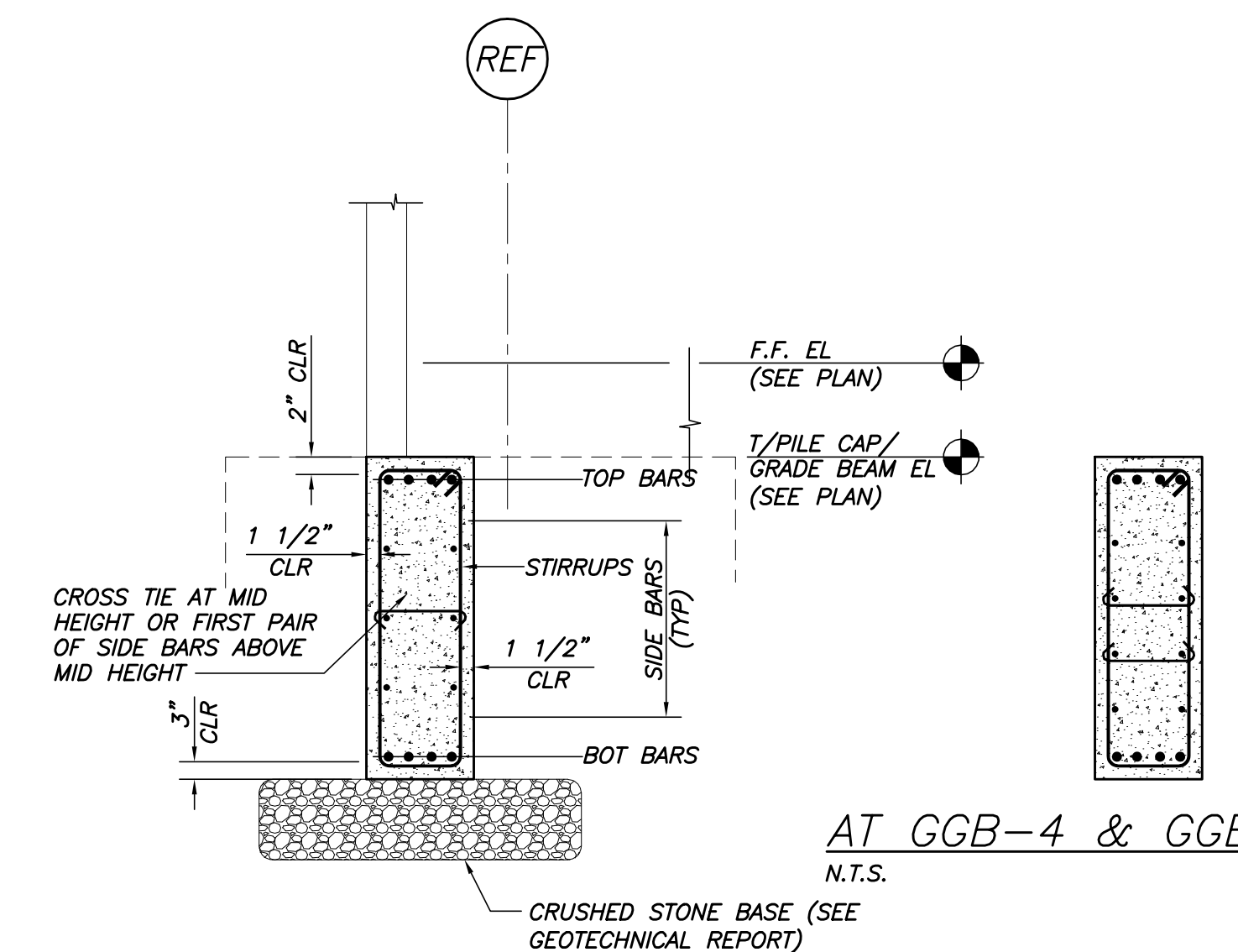
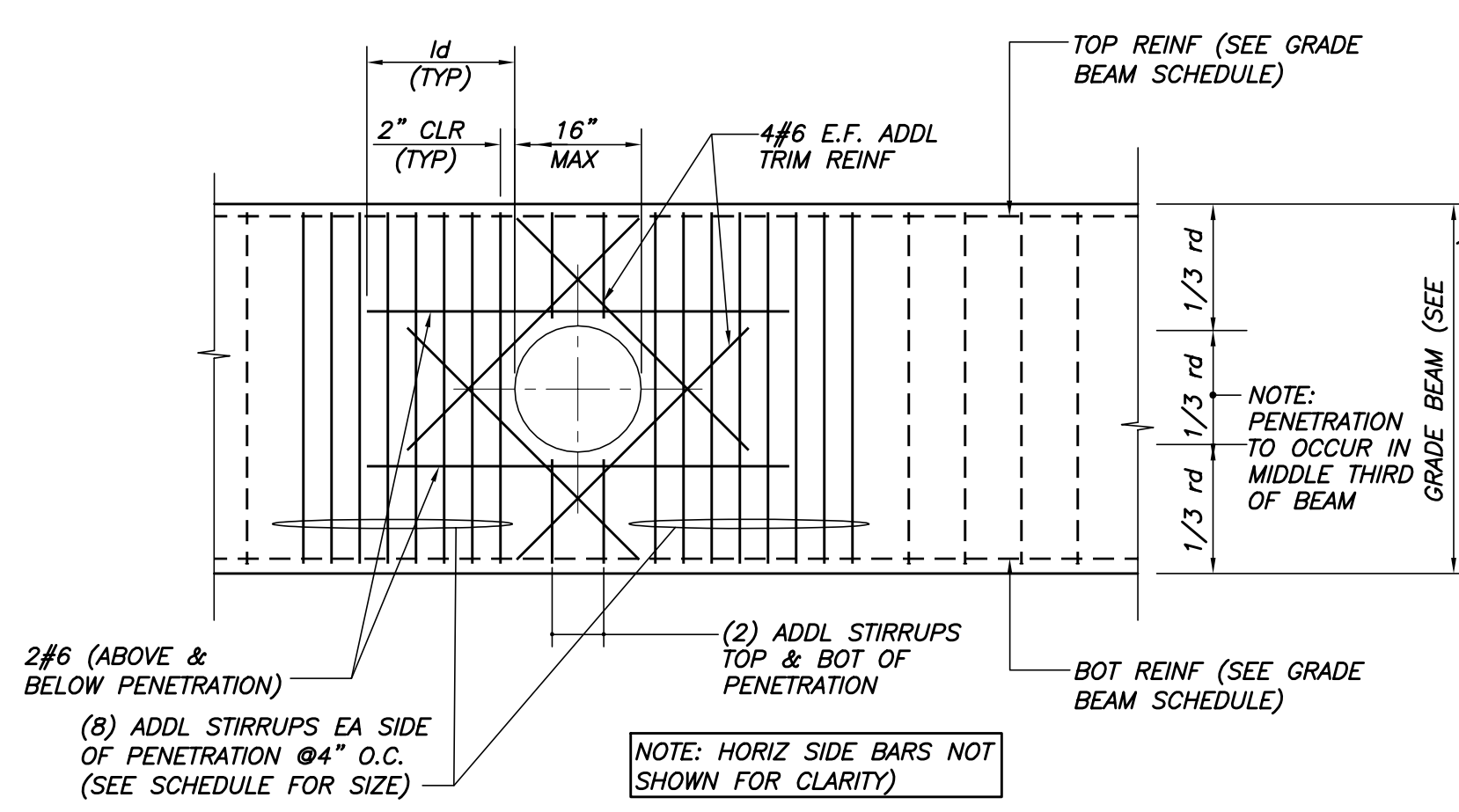


TYP GRADE BEAM ELEVATION
N.T.S.

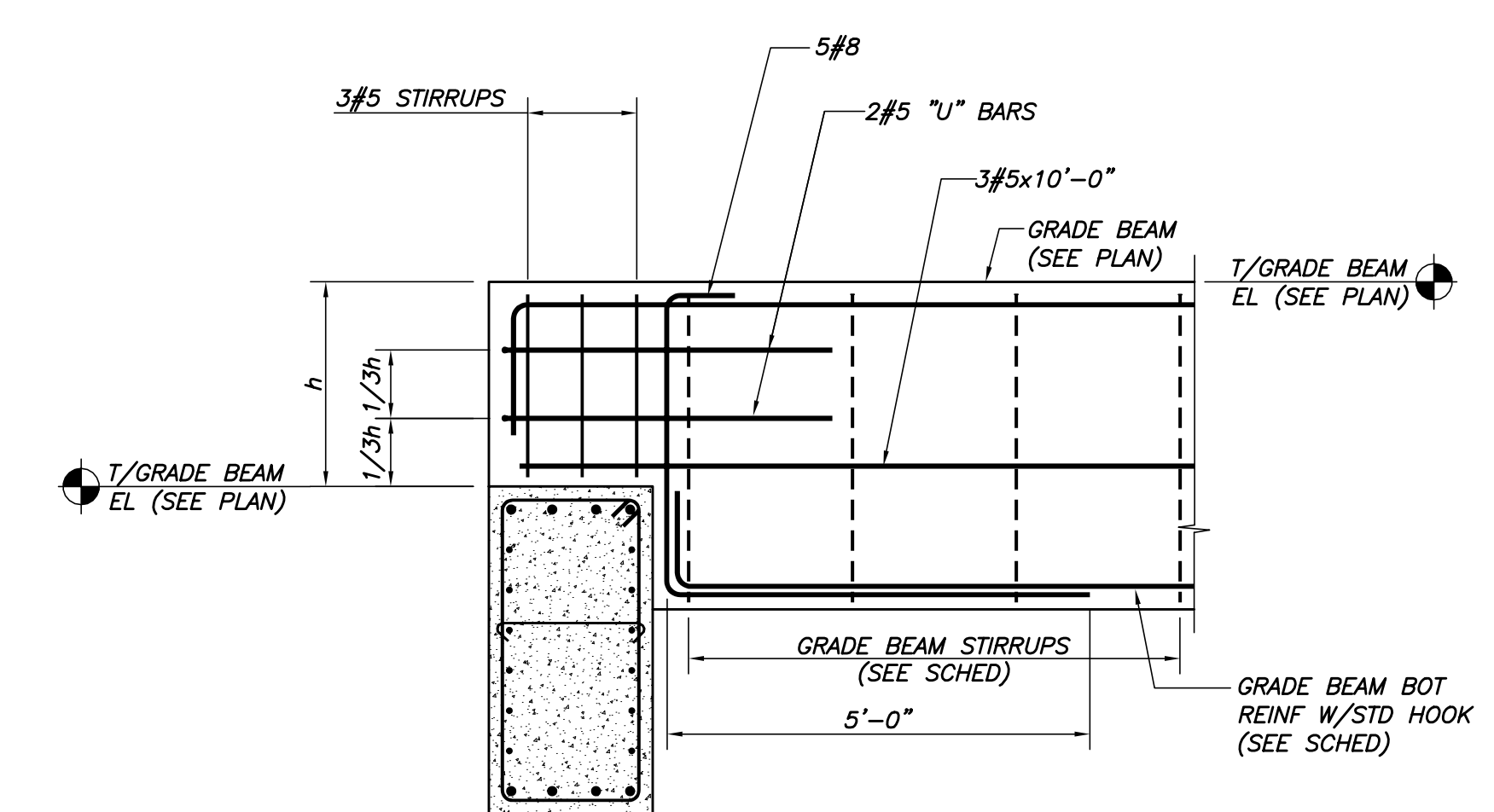


TYP GRADE BEAM DETAIL U.N.O.
N.T.S.

GRADE BEAM SCHEDULE (LAP LENGTH)							REMARKS
MARK	SIZE	TOP BARS (LAP LENGTH)	BOT BARS (LAP LENGTH)	STIRRUPS/VERT BARS	HORIZ SIDE BARS (E.F.) (LAP LENGTH)		
GGB-1	2'-0"	4'-0" 4#10 (102")	4#10 (79")	#4024" O.C.	3#6 (60")		
GGB-2	2'-0"	4'-0" 3#8 (80")	3#8 (62")	#4024" O.C.	3#6 (60")		
GGB-3	1'-0"	3'-6" 4#6 (48")	4#6 (38")	#4024" O.C.	3#6 (60")		
GGB-4	2'-0"	4'-0" 4#10 (102")	4#10 (79")	#4024" O.C.	4#7 (81")		
GGB-5	2'-0"	4'-0" 5#10 (102")	5#10 (79")	#4012" O.C.	4#7 (81")		
GGB-6	3'-6"	3'-6" 5#10 (102")	5#10 (79")	#4024" O.C.	3#6 (60")		
GGB-7	4'-6"	3'-6" 5#10 (102")	5#10 (79")	#4024" O.C.	3#6 (60")		

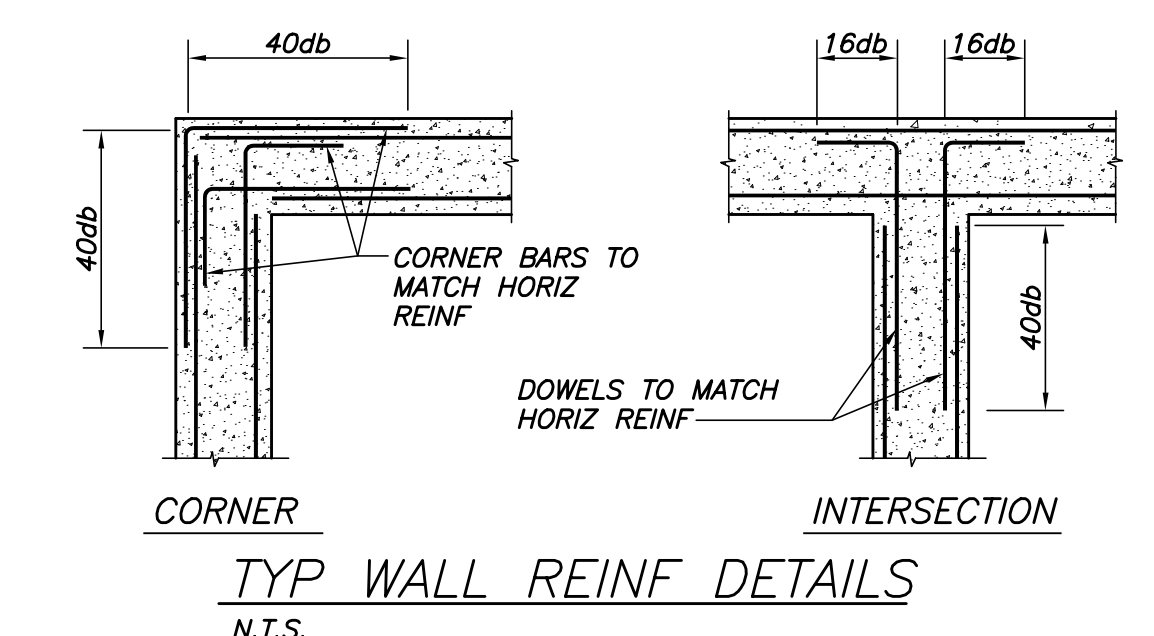


TYP GRADE BEAM PENETRATION DETAILS
N.T.S.

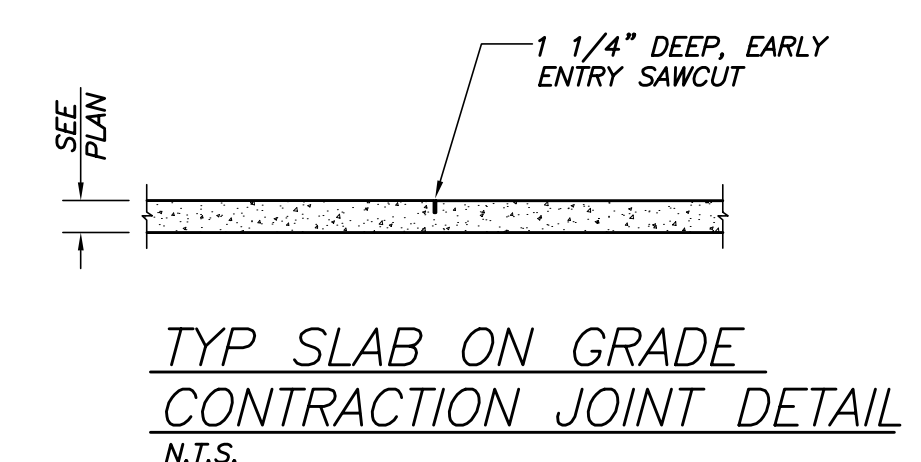


SECTION 1
1/2"=1'-0"

REBAR LAP SPLICE TABLE U.N.O.	
BAR SIZE	LAP LENGTH 3,000 PSI
#3	30"
#4	36"
#5	48"
#6	56"
#7	81"
#8	93"
#9	105"
#10	118"



TYP WALL REINF DETAILS
N.T.S.



TYP SLAB ON GRADE CONTRACTION JOINT DETAIL
N.T.S.

CONSTRUCTION MANAGER
CONSIGLI
 84 Middle Street
 Portland, Maine 04101
 Phone 207.775.3030
 Fax 207.775.3030

PARKING GARAGE ARCHITECT:
SSH
 75 York Street
 Portland, Maine 04101
 Phone 207.774.4888
 Fax 207.450.4858

PARKING GARAGE STRUCTURAL ENGINEER:
BECKER
 75 York Street
 Portland, Maine 04101
 Phone 207.450.4838
 Fax 207.450.4822

SPECIAL ENGINEER:
BECKER
 40 Haines Drive
 Portland, Maine 04102
 Phone 855.642.4282
 Fax 207.774.4825

84 Cedar Street Suite 103
 Portland, Maine 04103
 Phone 855.642.4282
 Fax 407.450.5057

HARRIMAN
 Architects + Engineers
 Auburn Business Park
 84 Harriman Drive
 Auburn, Maine 04210
 207.784.5100 tel
 207.782.3017 fax

123 Middle Street
 Portland, Maine 04101
 207.775.0653 tel
 207.775.0460 fax

www.harriman.com
 © 2008

Project Title
**BAYCO LLC
 BAYSIDE
 DEVELOPMENT**
 PORTLAND, MAINE

PARKING GARAGE

Project No. 2008-0040

Key Plan

General Notes or Legends Here

Mark	Date	Description
1-7-08		100% SITE ENABLING PACKAGE
12-19-08		50% CONSTRUCTION DOCUMENTS
11-26-08		100% DESIGN DEVELOPMENT
10-29-08		50% DESIGN DEVELOPMENT

Drawing Status
100% SITE ENABLING PACKAGE

Drawing Title
TYP GRADE BEAM SECTIONS & DETAILS

RA/PE: NJJM Drawn By: APP

Drawing Number
GS20.1

