

CONSULTANT SERVICES
CONSIGLI
 84 Main Street
 Portland, Maine 04101
 Phone: 207.775.2800
 Fax: 207.775.2800
 E-mail: info@consigli.com

PROJECT OWNER: BAYCO LLC
 75 Van Street
 Portland, Maine 04101
 Phone: 207.775.2800
 Fax: 207.775.2800
 E-mail: bayco@bayco.com

DESIGNED BY: **BECKER**
 75 Van Street
 Portland, Maine 04101
 Phone: 207.775.2800
 Fax: 207.775.2800
 E-mail: info@becker.com

DATE: 01/12/09
 DRAWN BY: RADIV
 CHECKED BY: BSS
 PROJECT NO: 09-26-08

HARRIMAN
 Architects + Engineers
 123 Middle Street
 Portland, Maine 04101
 Phone: 207.775.2800
 Fax: 207.775.2800
 E-mail: info@harriman.com

Project Title:
**BAYCO LLC.
 BAYSIDE
 DEVELOPMENT**
 PORTLAND, MAINE

Project No.:
 09-26-08

Key Plan:

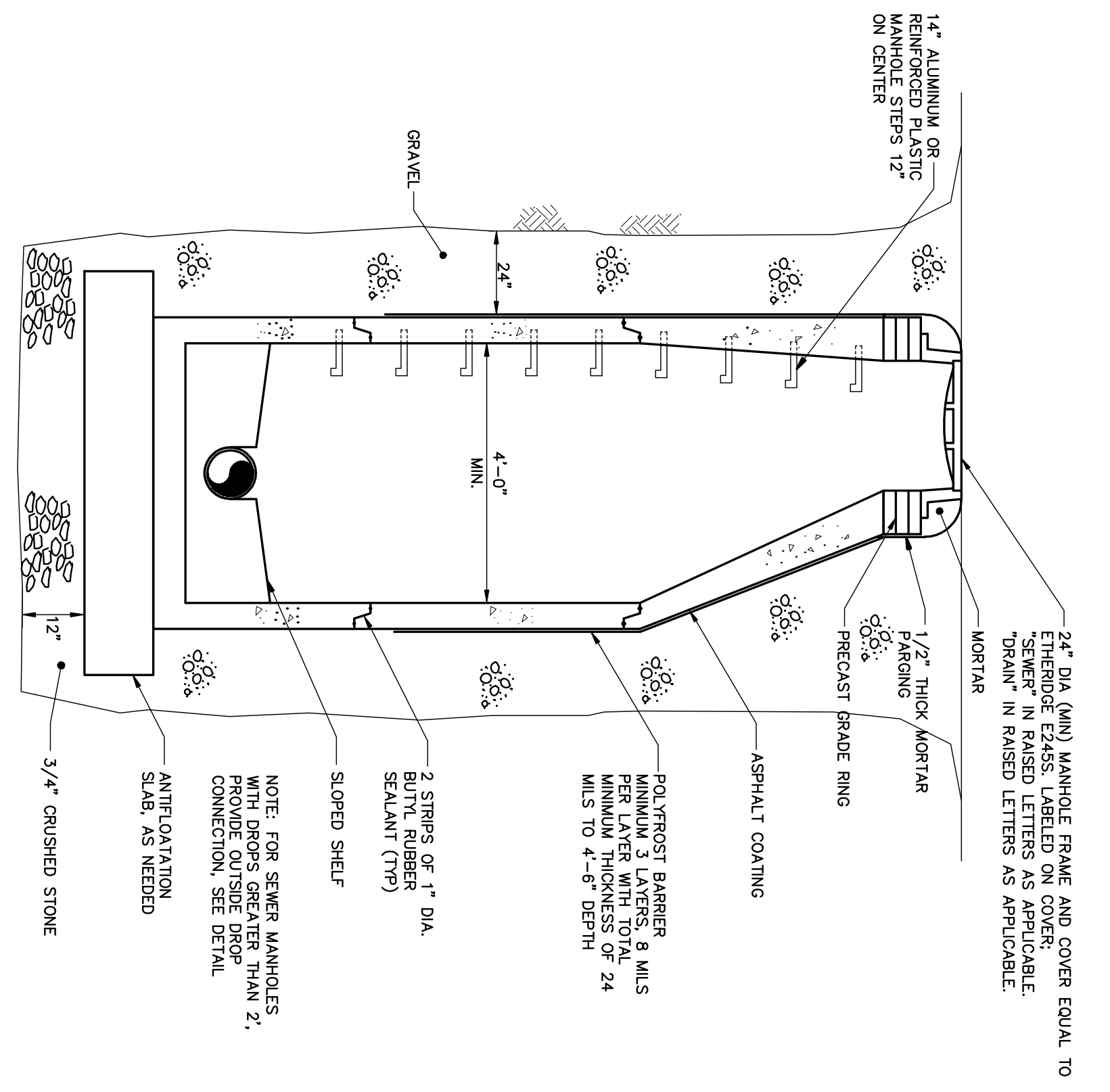
BAYCO LLC.
 123 Middle Street
 Portland, Maine 04101
 Phone: 207.775.2800
 Fax: 207.775.2800
 E-mail: info@bayco.com

Approved: *[Signature]*
 January 7, 2009

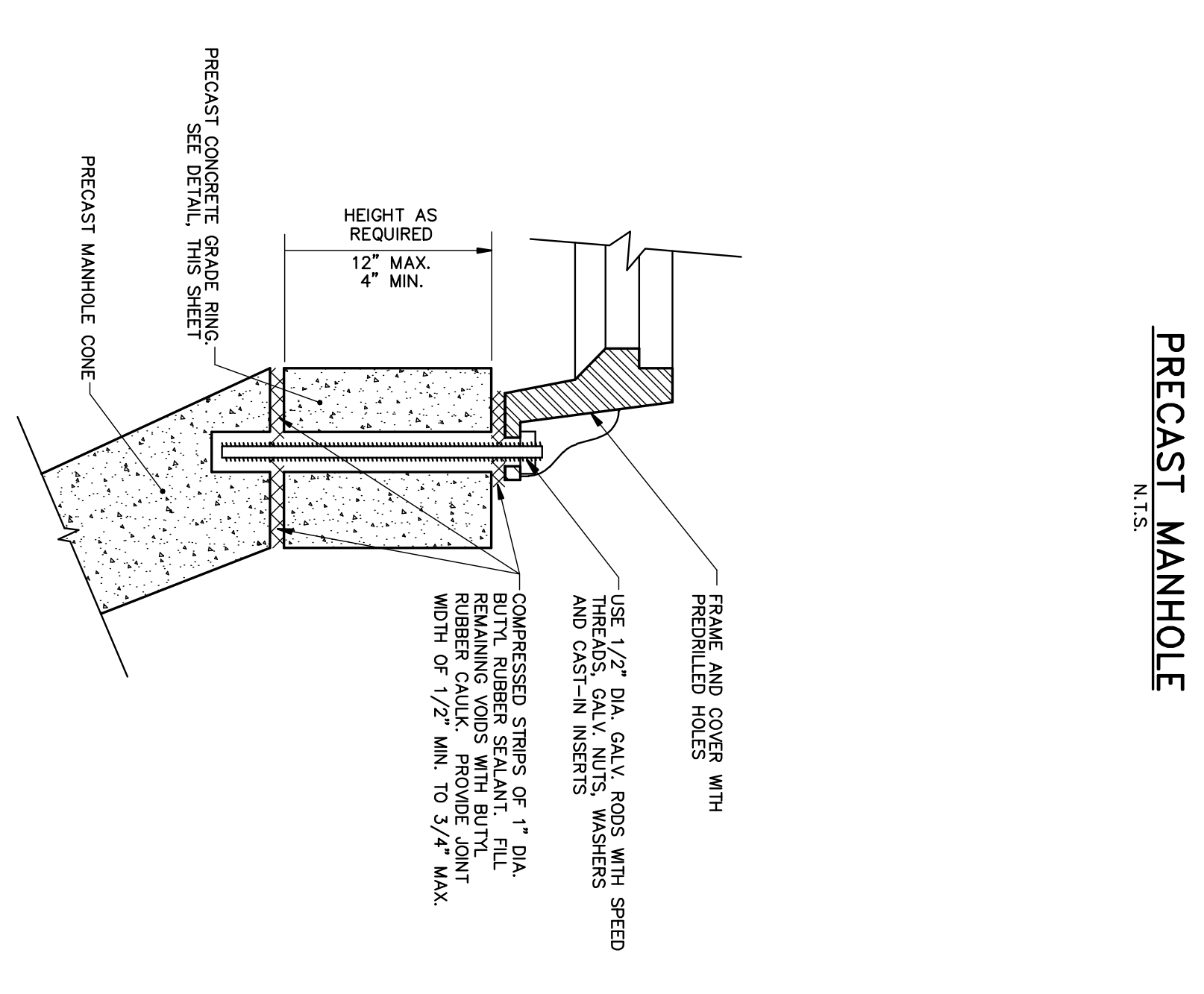
1-7-09	100% SITE ENABLING PLAN
12-19-08	90% SITE ENABLING PLAN
11-21-08	PERMIT SUBMITTAL
11-13-08	PERMIT SUBMITTAL
10-24-08	REVISED BLDG LAYOUT & ADD BUS DRIP
09-26-08	PERMIT SUBMITTAL

Drawing Title:
**CIVIL
 DETAILS**

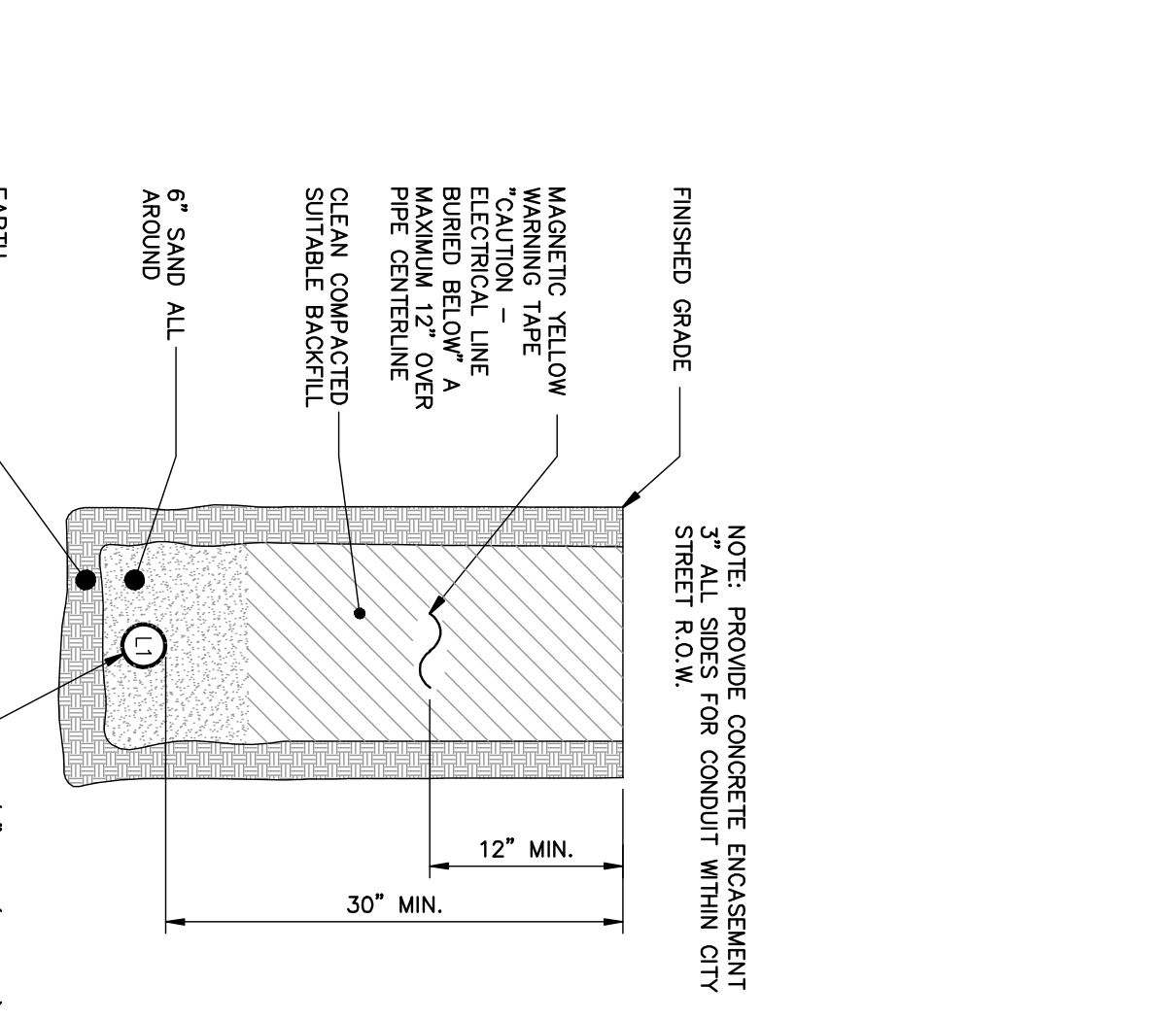
Drawing Number:
C302



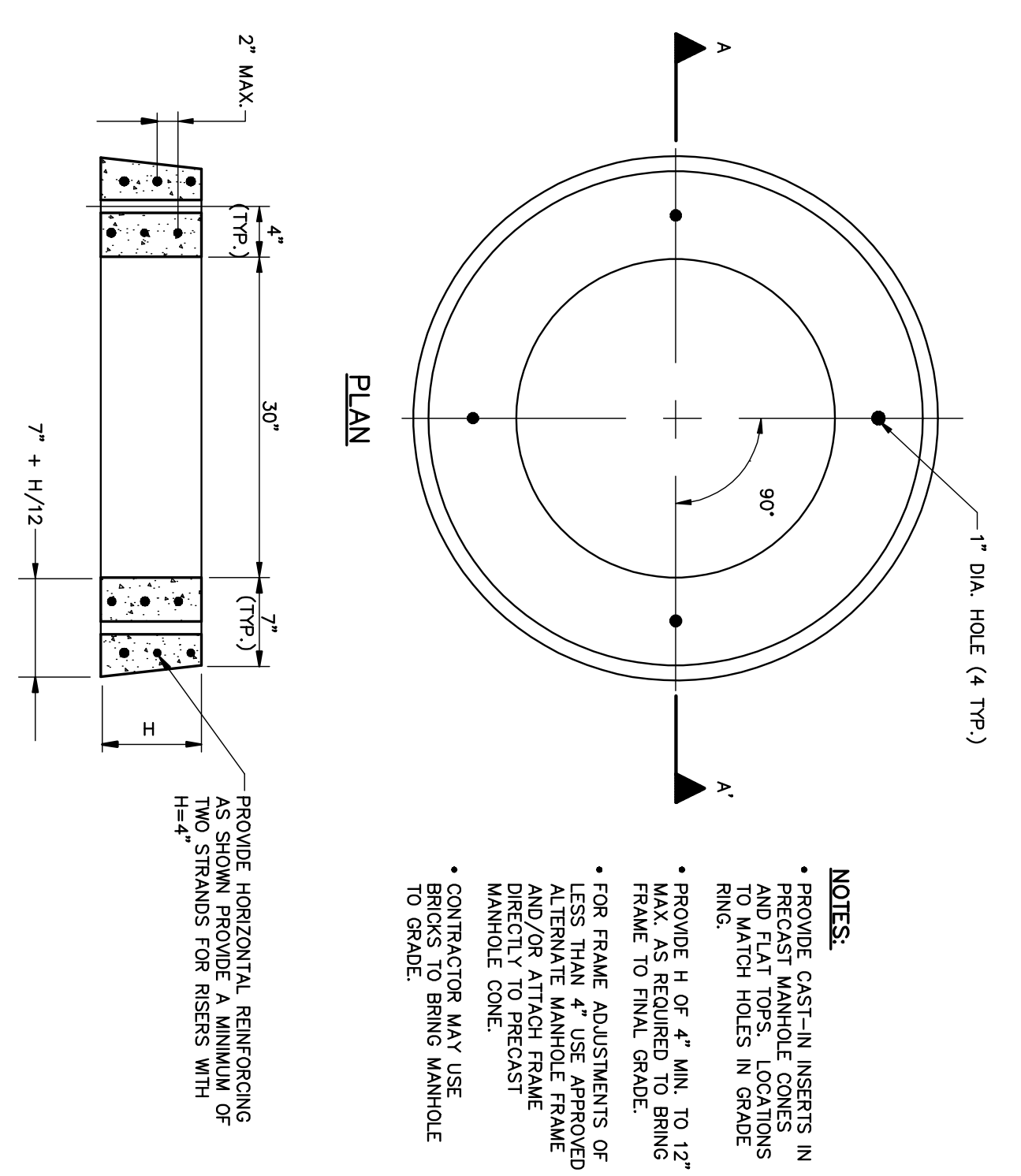
PRECAST MANHOLE
 N.T.S.



MANHOLE FRAME FASTENING DETAIL
 N.T.S.

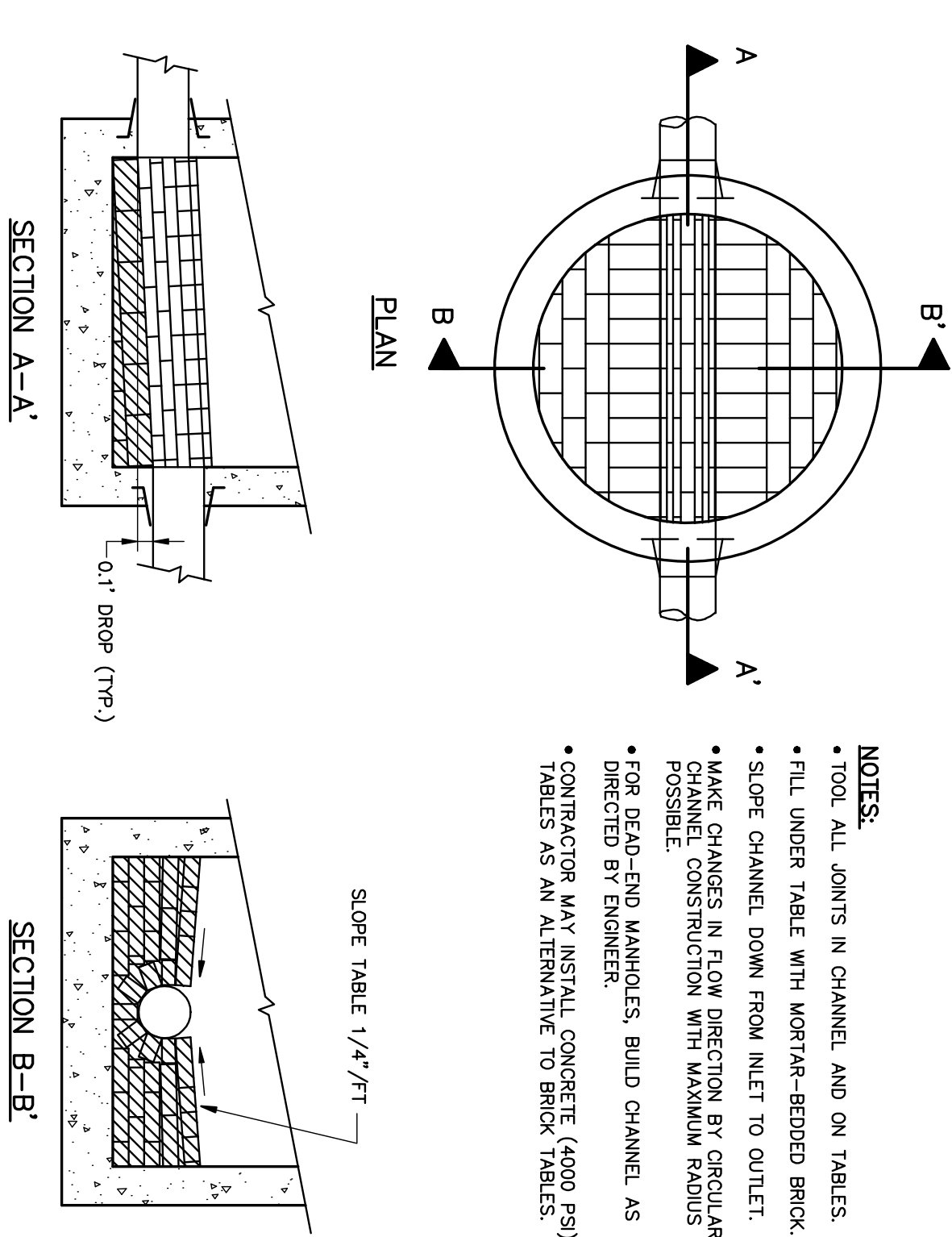


TYPICAL CONDUIT TRENCH
 N.T.S.

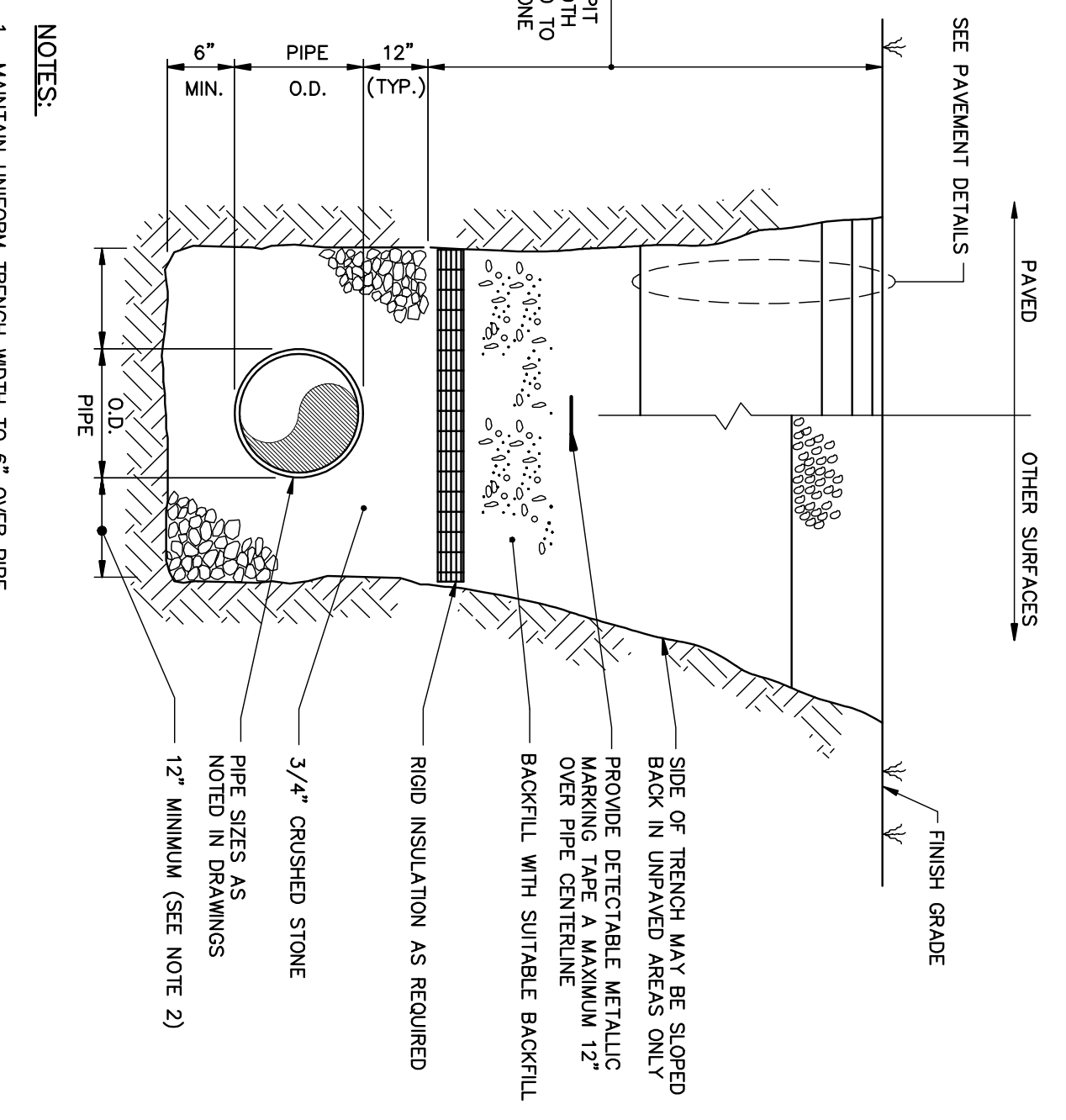


SECTION A-A'
 N.T.S.

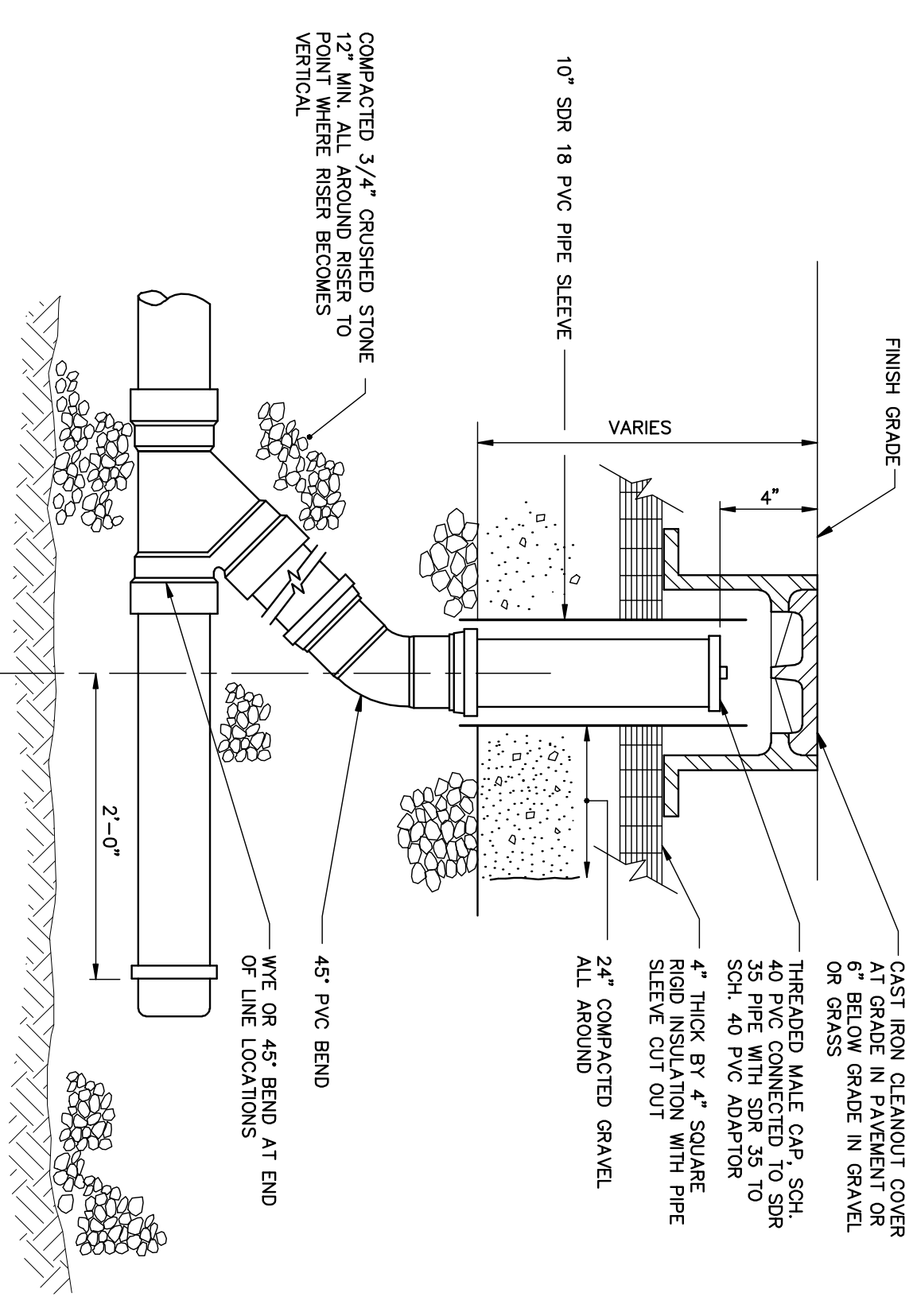
PRECAST CONCRETE GRADE RING
 N.T.S.



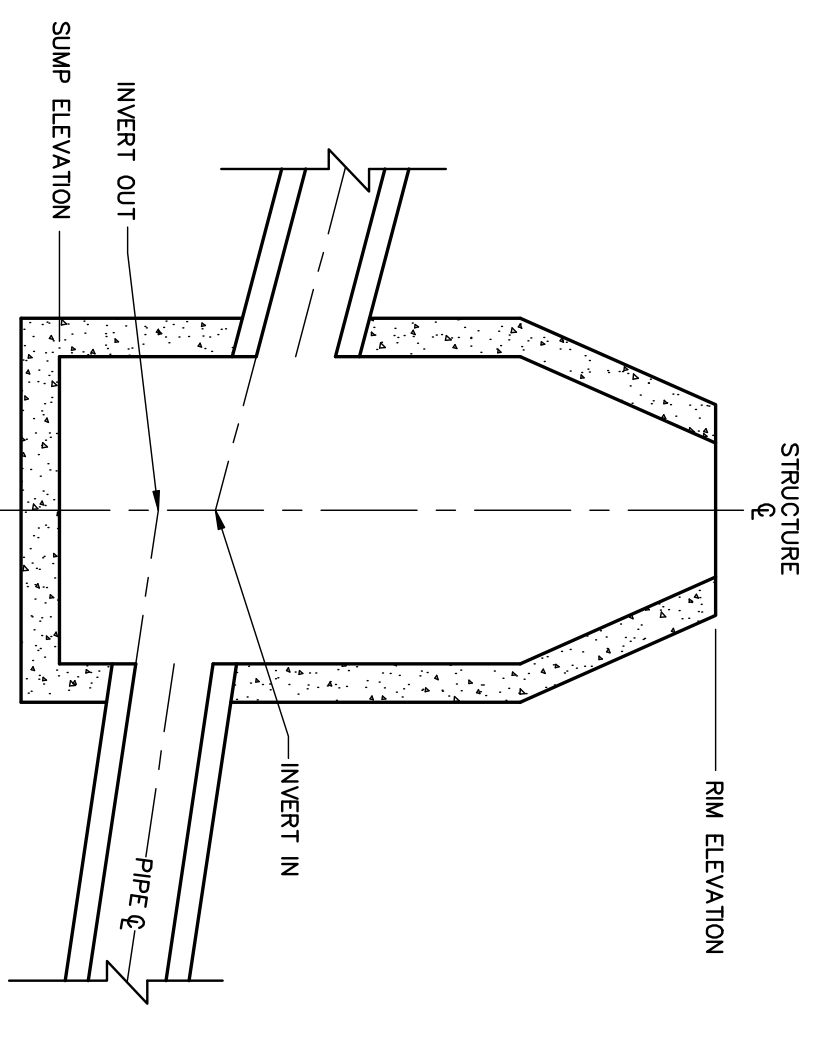
BRICK INVERT
 N.T.S.



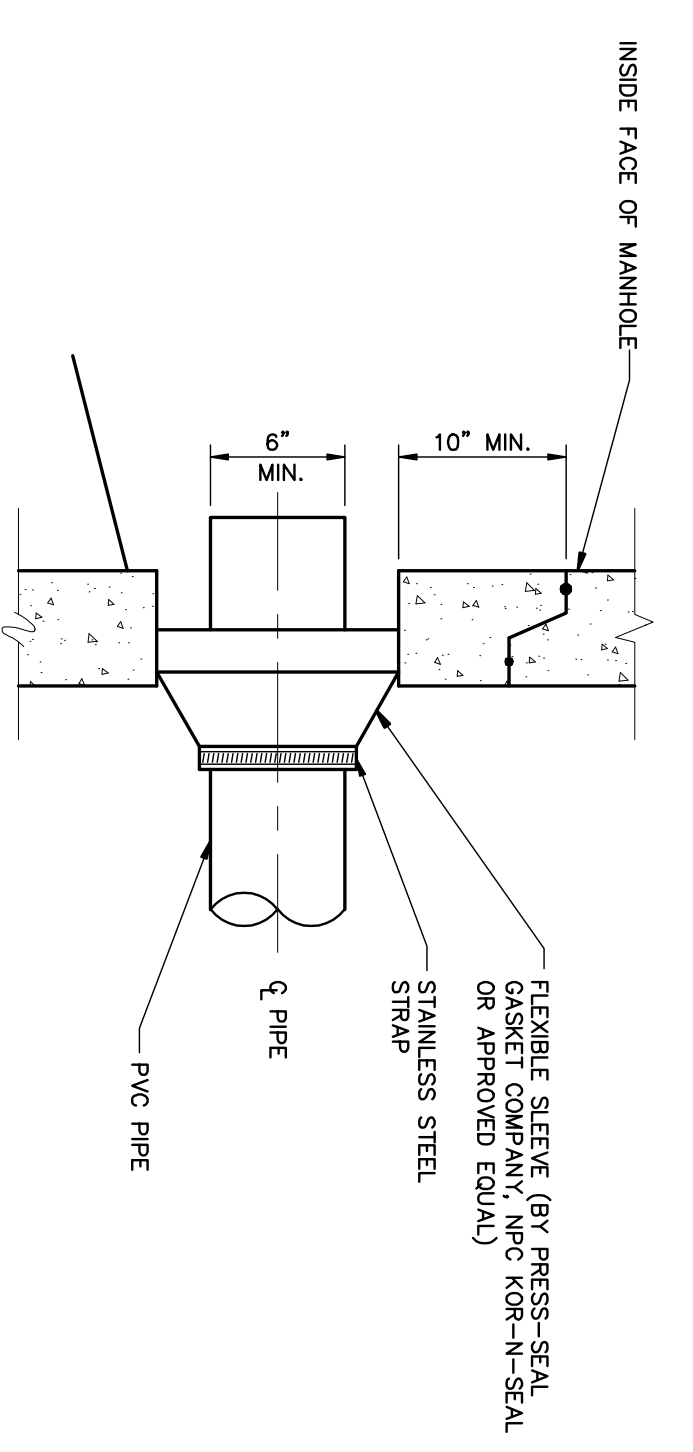
SINGLE PIPE TRENCH DETAIL
 N.T.S.



CLEANOUT DETAIL
 N.T.S.



MANHOLE INVERT MEASUREMENT PARAMETERS
 N.T.S.



**PVC PIPE TO MANHOLE/CATCH BASIN
 CONNECTION DETAIL**
 N.T.S.