

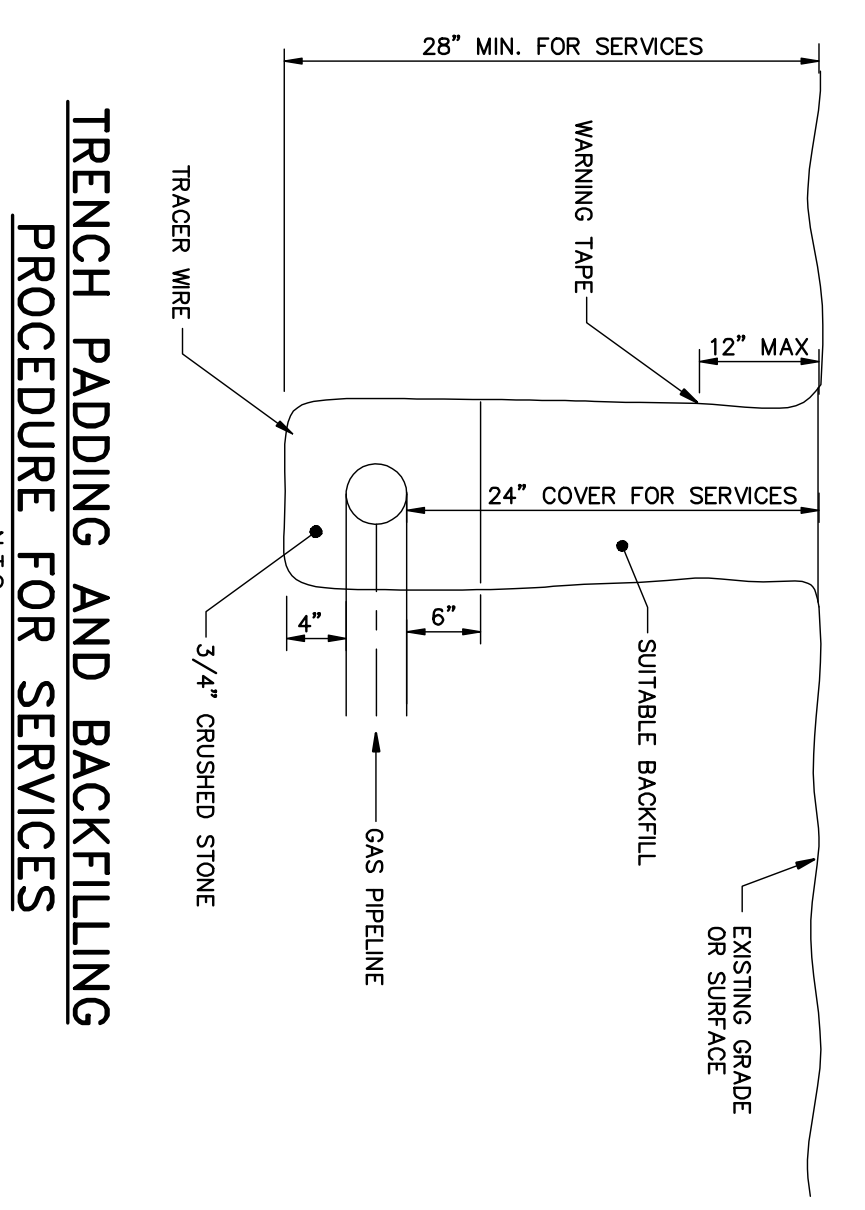
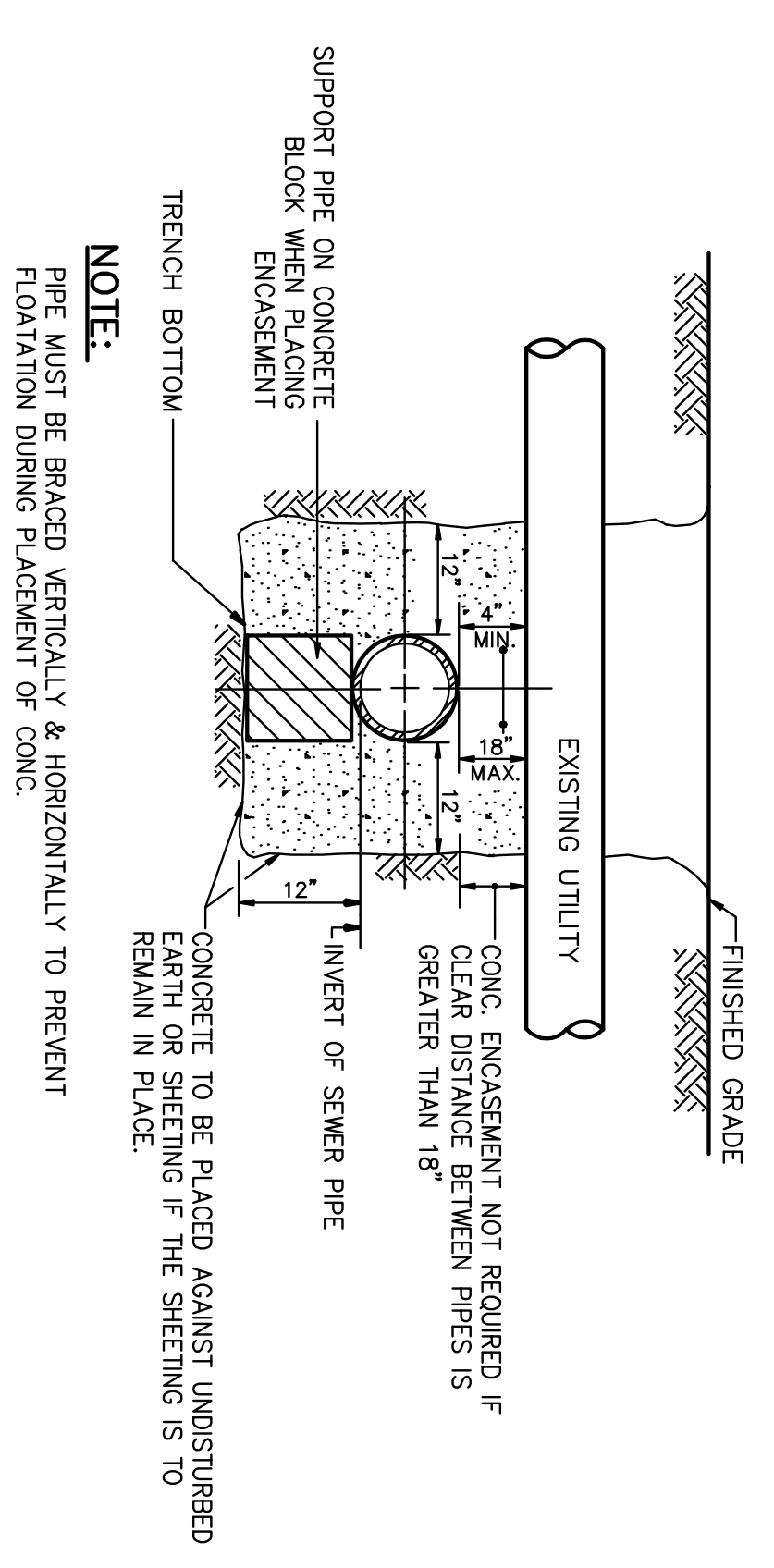
TABLE 1: 4" THRU 10" FITTINGS

SOIL TYPE	TESTS	BEANS	SOIL TYPE	TESTS	BEANS
SOFT CLAY	48"	24"	SOFT CLAY	60"	30"
SAND	24"	24"	SAND	30"	30"
GRAVEL	24"	18"	GRAVEL	30"	24"

TABLE 2: 12" THRU 18" FITTINGS

SOIL TYPE	TESTS	BEANS	SOIL TYPE	TESTS	BEANS
SOFT CLAY	48"	24"	SOFT CLAY	60"	30"
SAND	24"	24"	SAND	30"	30"
GRAVEL	24"	18"	GRAVEL	30"	24"

- NOTES:**
- CONCRETE FOR ALL THRUST BLOCKS TO BE MINIMUM 4000 PSI 28 DAY COMPRESSIVE STRENGTH, TYPE I GEMENT, 3/4" STONE.
 - WHERE POSSIBLE, CONSTRUCT THRUST BLOCKS POSSIBLE, PLACE FILL BETWEEN THE THRUST BLOCKS WITH SAND OR GRAVEL OF 150 PSI COMPACTED TO ONE STANDARD PROCTOR DENSITY.
 - IF FITTINGS WITH EXPANSION JOINTS TO EXISTING THURST BLOCKS ARE USED, JOINTS SHALL BE COVERED WITH CONCRETE.
 - THRUST BLOCK DIMENSIONS ARE BASED ON A 48" DIA. WATER MAIN PRESSURE OF 150 PSI.



POST SCHEDULE

TYPE	HEIGHT ABOVE FIN. GRADE	POST DIAMETER	POST MATERIAL
SNOW BAN SIGN	7'-0"	2 3/8" (I.D.)	CALV. STEEL
STREET SIGNAGE	7'-0"	2 3/8" (I.D.)	CALV. STEEL
STREET NAME	7'-0"	3 1/2" (O.D.)	CALV. STEEL

- NOTES:**
- ALL METAL FOR USE IN UTILITIES PAVING METERS, STREET SIGNS, AND FACILITY SIGNAGE NOT MOUNTED ON POLES MUST ASNE.
 - ANNULAR SPACE BETWEEN FOOTING AND SURROUNDING MATERIAL SHALL BE FILLED TO ELIMINATE Voids.
 - PAVING METERS POST EMBEDMENT SHALL BE BETWEEN 30" FOUNDATION. PAVING METERS POST (PROVIDED BY CITY) SHALL BE BRUSH WITH 18" LONG STEEL STRAND GUY WIRE THRU EACH POST AT 0' FROM BOTTOM.

CONSULTING SERVICES
CONSISTEL
44 Main Street
Portland, Maine 04101
Phone: 207.773.2800
Fax: 207.773.2800

PROJECT OWNER:
BAYCO LLC
123 Main Street
Portland, Maine 04101
Phone: 207.773.2800
Fax: 207.773.2800

ARCHITECT:
HARRIMAN
123 Main Street
Portland, Maine 04101
Phone: 207.773.2800
Fax: 207.773.2800

ENGINEER:
BECKER
123 Main Street
Portland, Maine 04101
Phone: 207.773.2800
Fax: 207.773.2800

HARRIMAN
Architects + Engineers
123 Main Street
Portland, Maine 04101
Phone: 207.773.2800
Fax: 207.773.2800

BAYCO LLC.
BAYSIDE DEVELOPMENT
PORTLAND, MAINE

10/ Project No. _____
Key Plan

BAKER ENGINEERING
Professional Engineer
123 Main Street
Portland, Maine 04101
Phone: 207.773.2800
Fax: 207.773.2800
www.bakereng.com

January 7, 2009

Mark	Date	Description
09-26-08		PERMIT SUBMITTAL
10-24-08		REVISED BLDG LAYOUT & ADD BIDS DRGP
11-13-08		PERMIT SUBMITTAL
12-19-08		90% SITE ENABLING PLAN
1-7-09		100% SITE ENABLING PLAN

Drawing Status

Drawing Title
CIVIL DETAILS

PA / RE: **BSS** Drawn By: **RAUV**
Drawing Number
C301