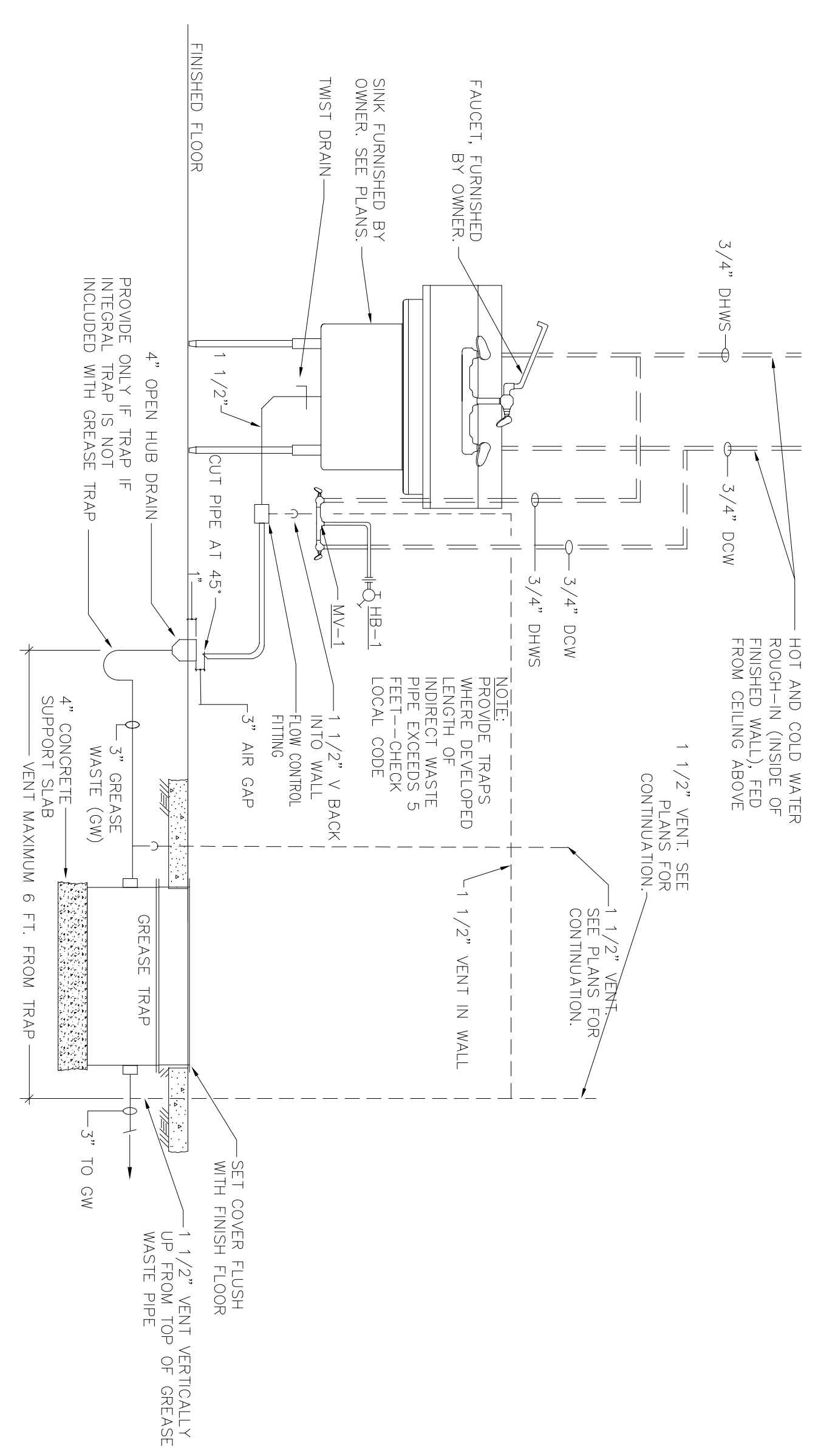
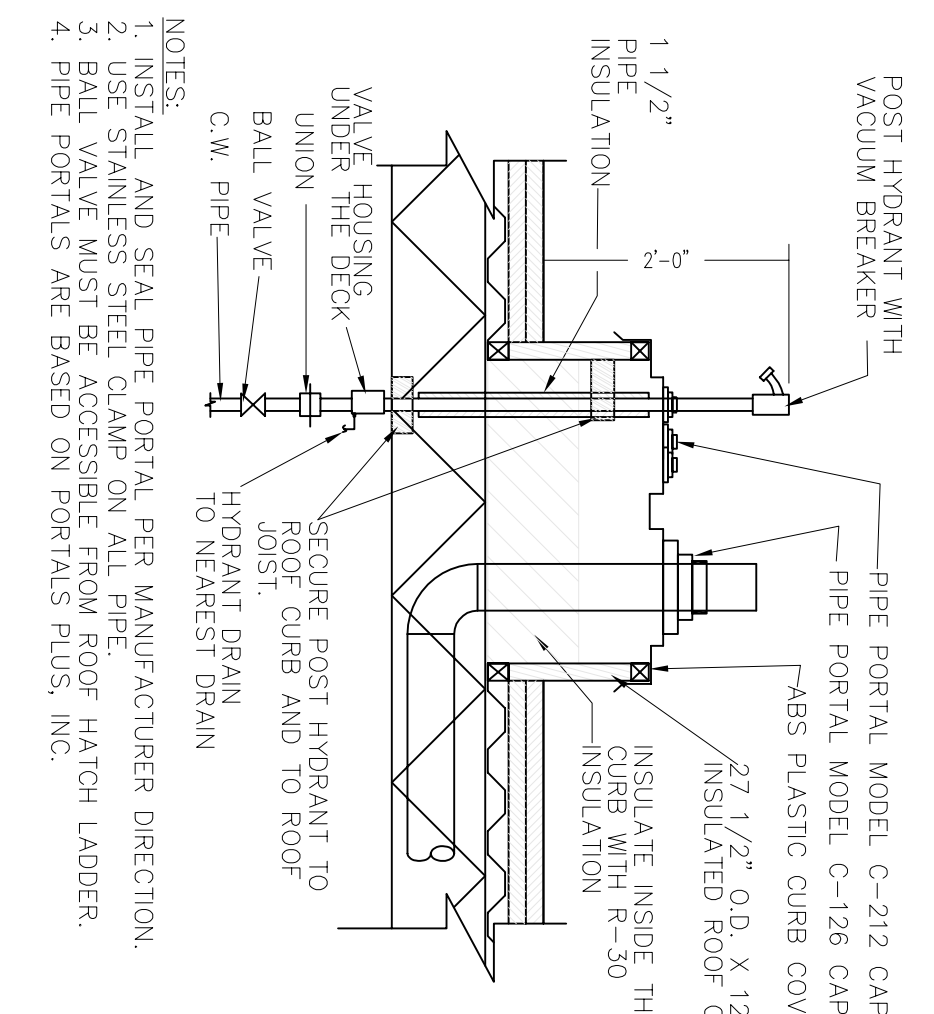


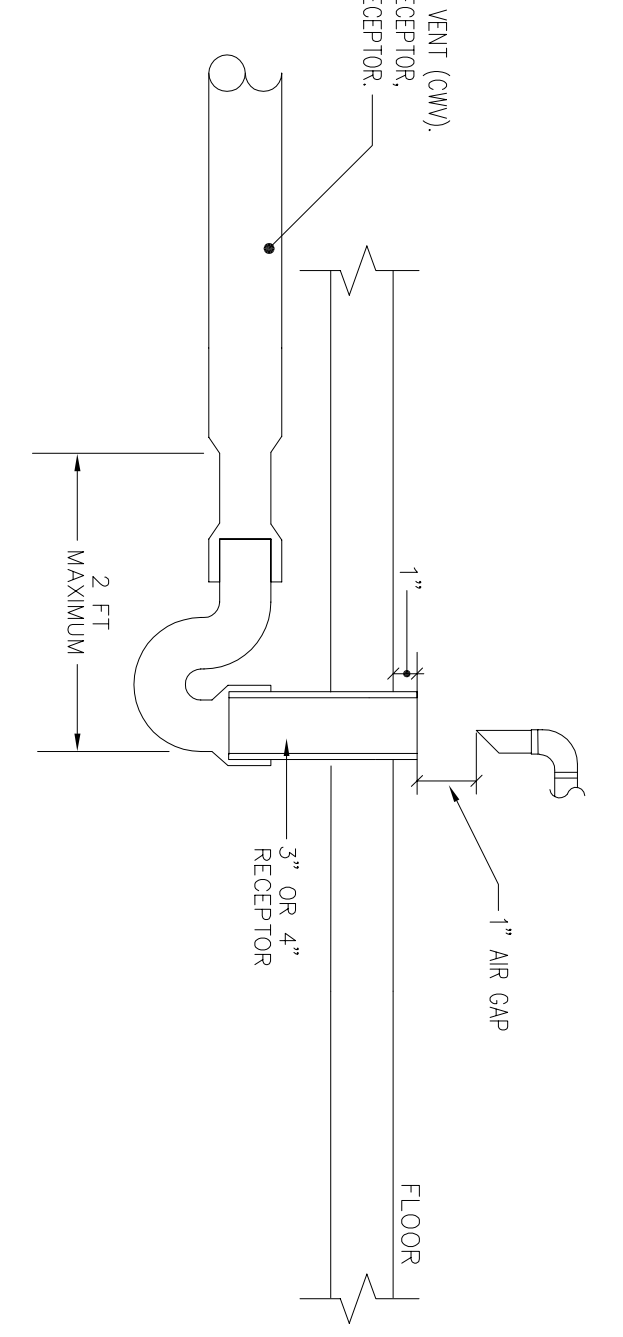
8 SCULLARY SINK DETAIL #559  
P7.02 N.T.S.



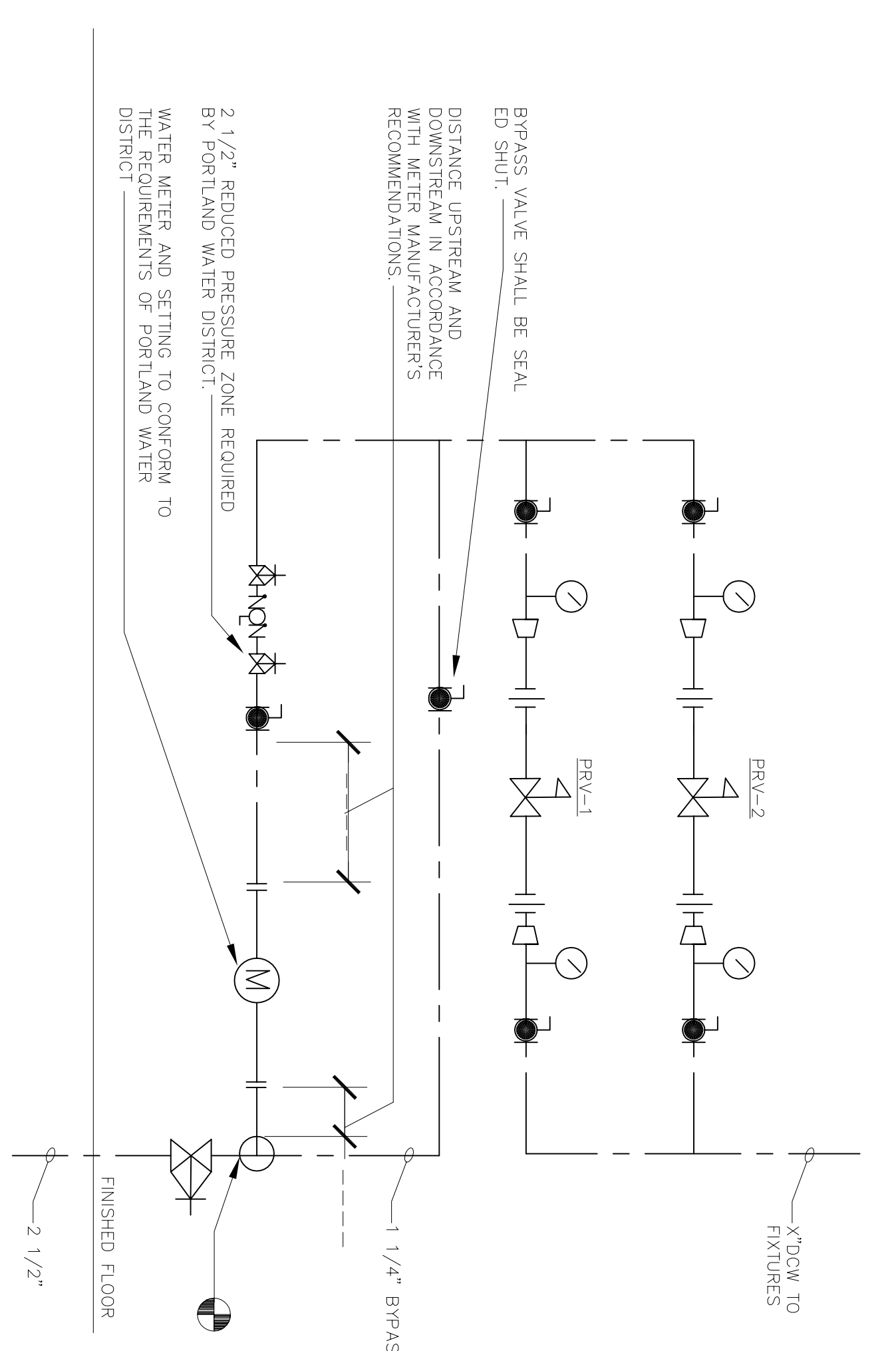
9 1 COMP SINK #343  
P7.02 N.T.S.



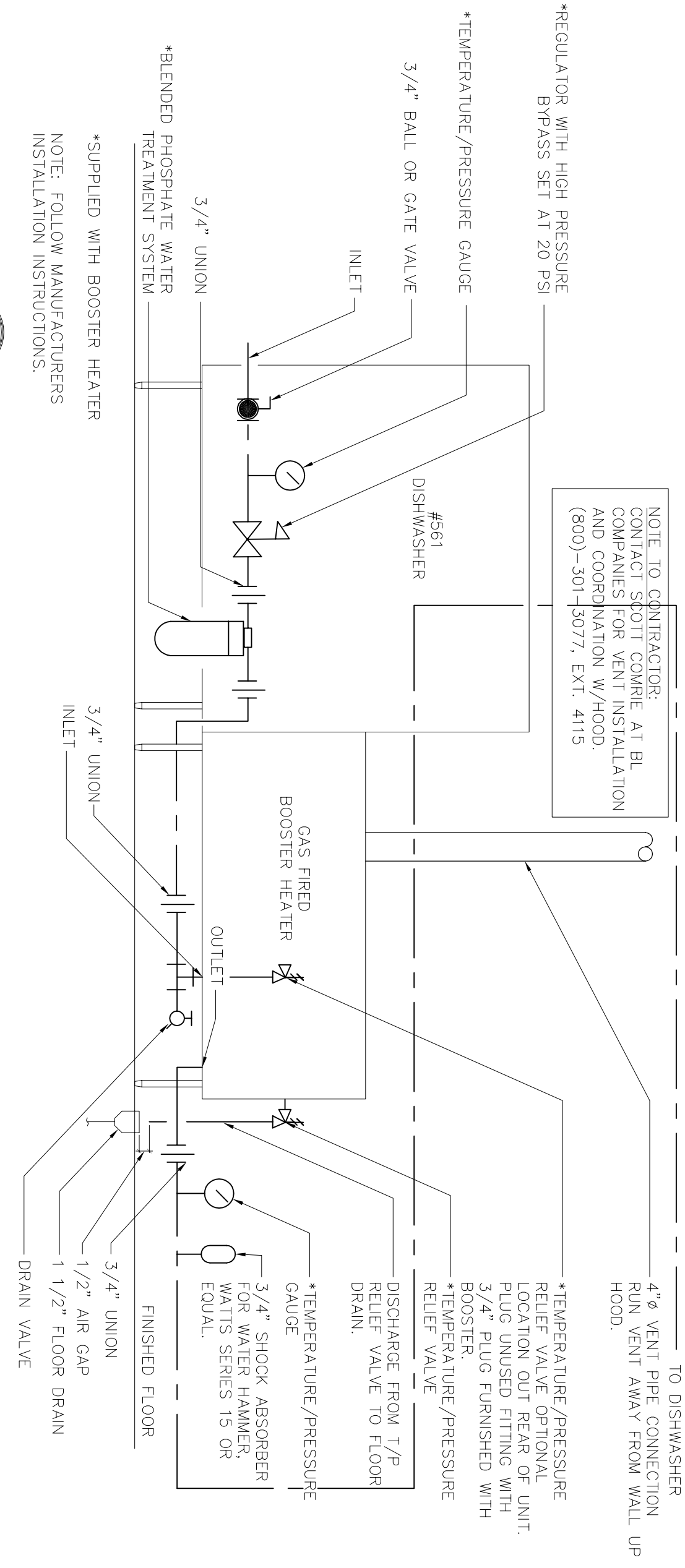
10 POST HYDRANT DETAIL  
P7.02 N.T.S.



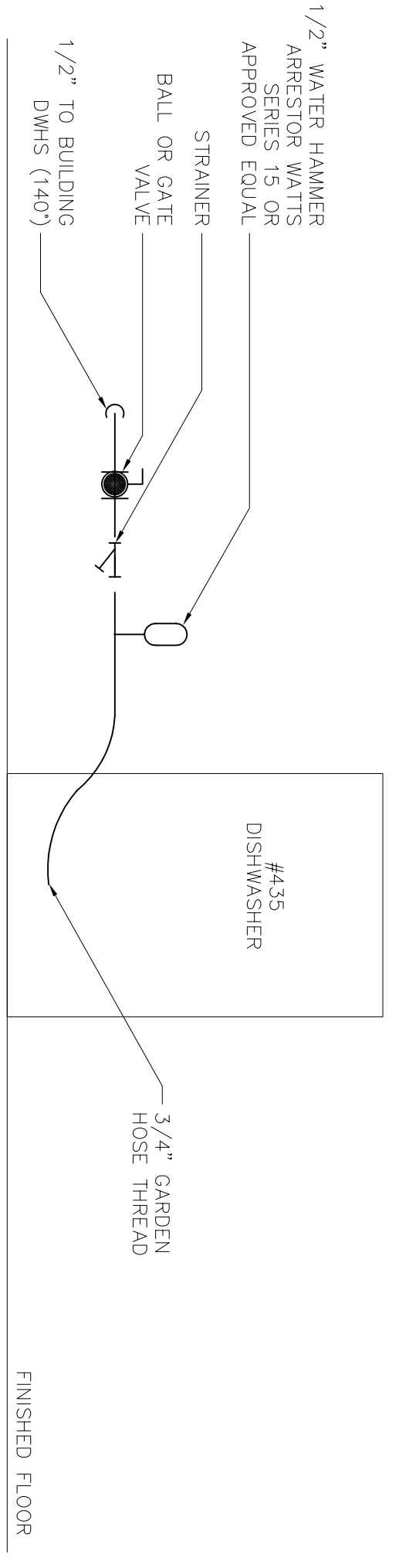
11 TYPICAL COMBINATION WASTE AND VENT DETAIL  
P7.02 N.T.S.



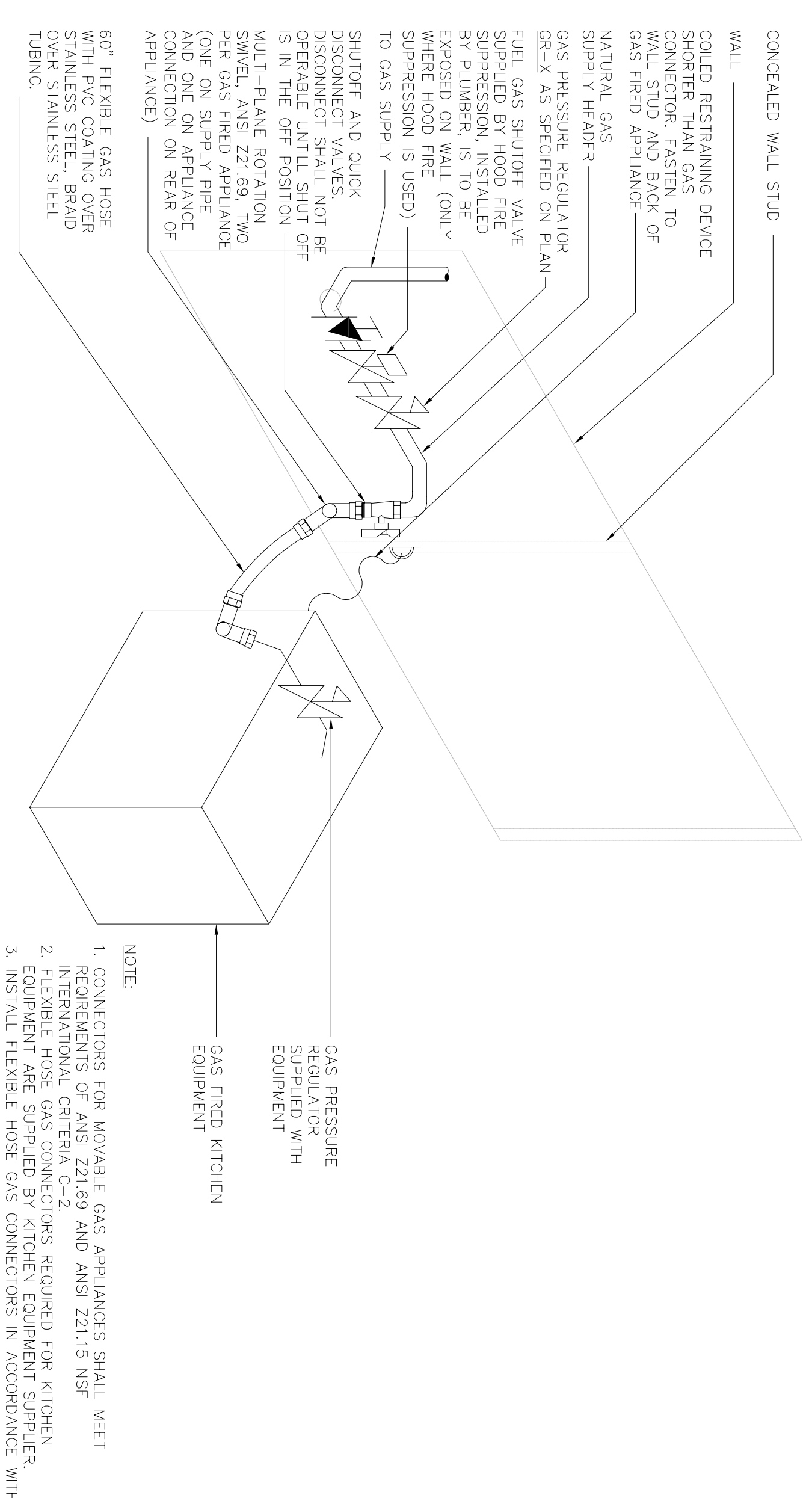
4 DOMESTIC WATER SERVICE SCHEMATIC  
P7.02 N.T.S.



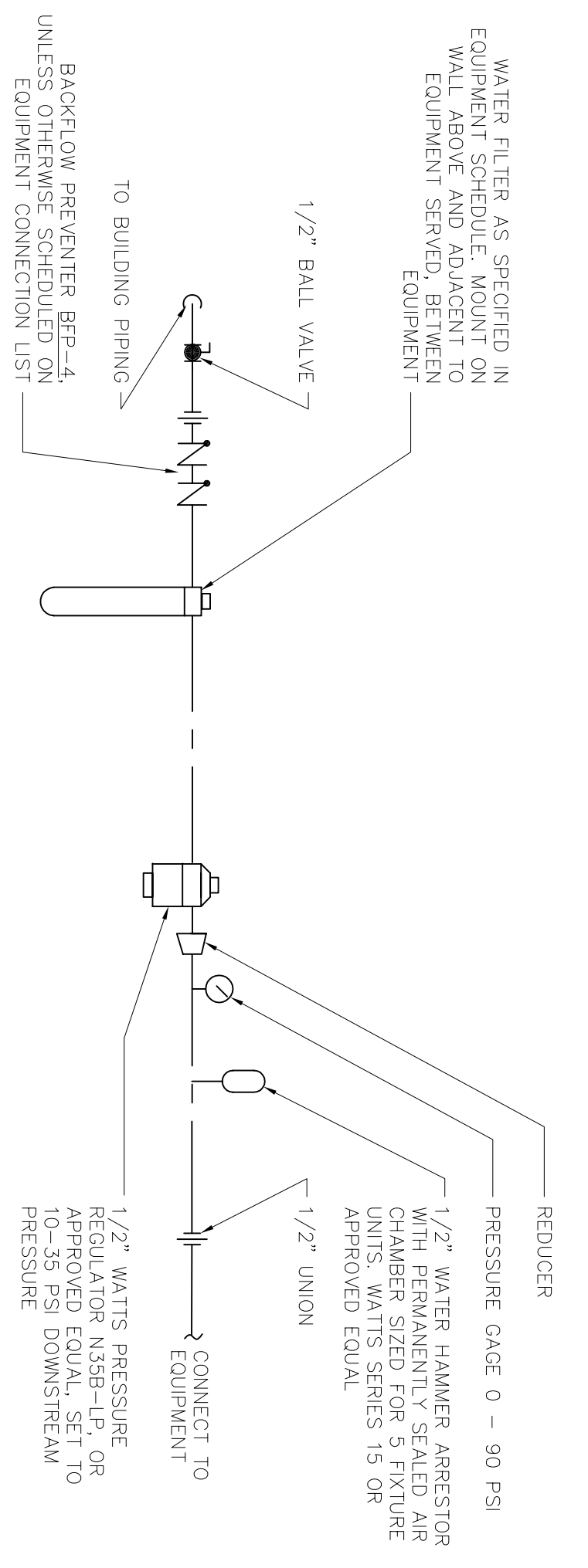
5 DISHWASHER #561 PIPING DOMESTIC WATER SERVICE SCHEMATIC  
P7.02 N.T.S.



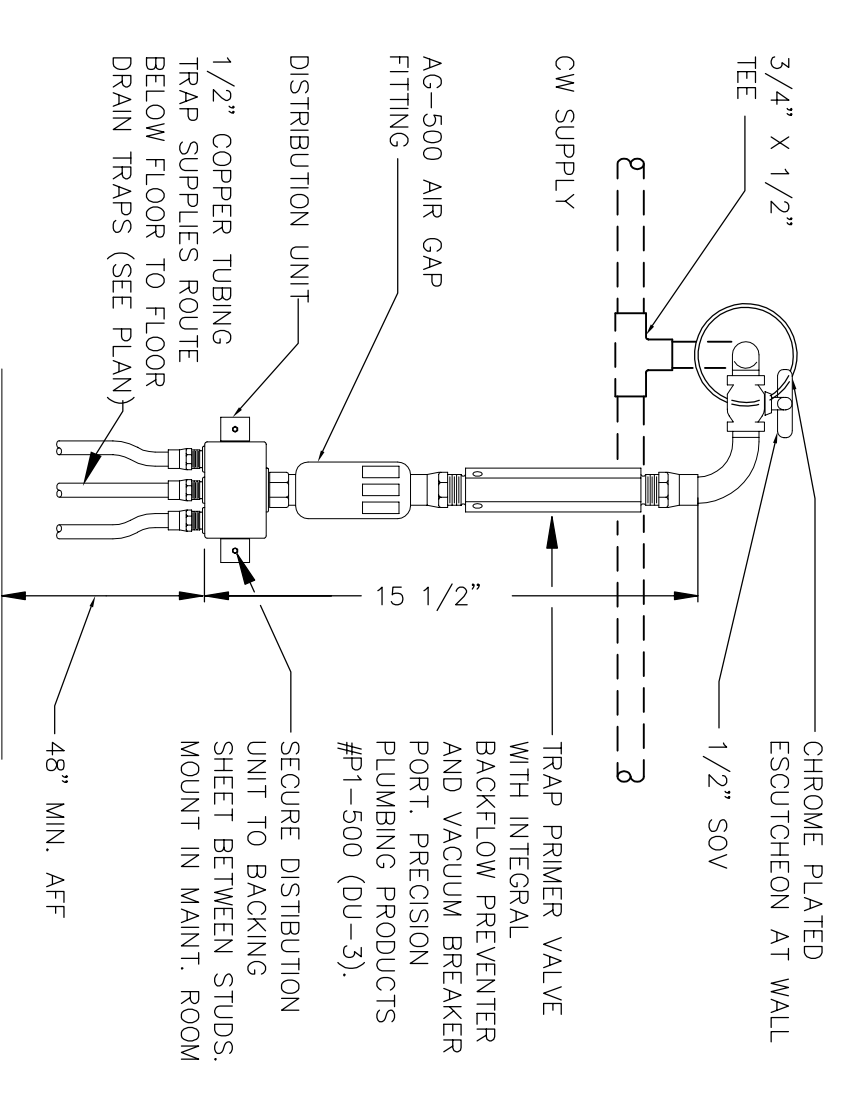
6 WATER SUPPLY TO DISHWASHER #435  
P7.02 N.T.S.



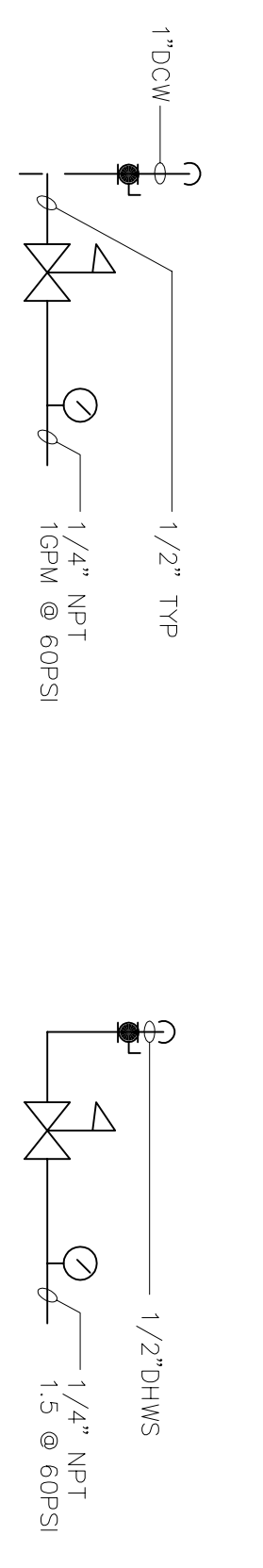
7 TYPICAL INDIVIDUAL KITCHEN EQUIPMENT NATURAL GAS CONNECTION DETAIL  
P7.02 N.T.S.



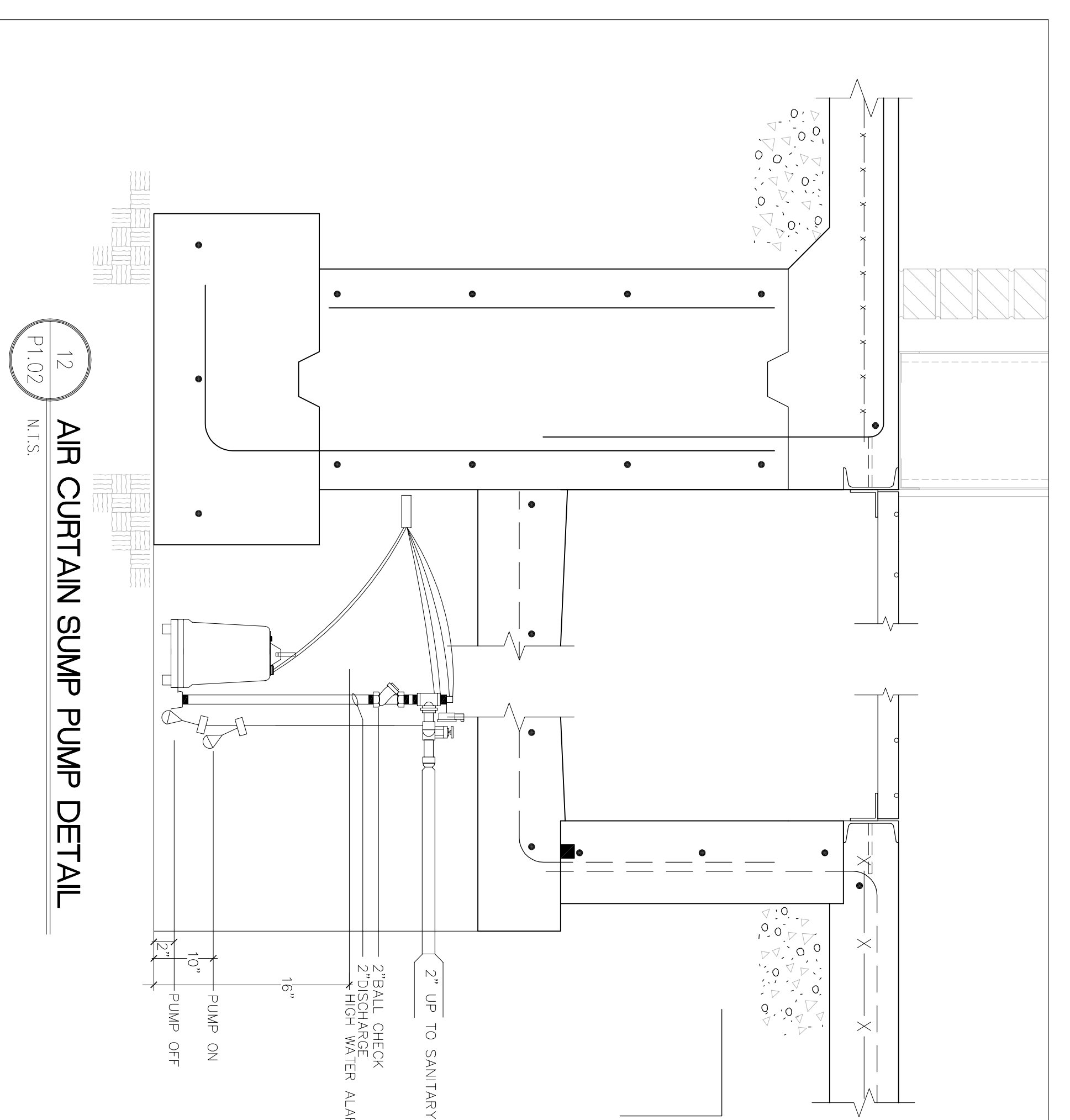
1 FILTERED DOW SUPPLY TO EQUIPMENT  
P7.02 N.T.S.



2 SCHEMATIC DETAIL - TRAP PRIMER  
P7.02 N.T.S.



3 SCOTT COMPRESSED AIR  
P7.02 N.T.S.



12 AIR CURTAIN SWAMP PUMP DETAIL  
P7.02 N.T.S.