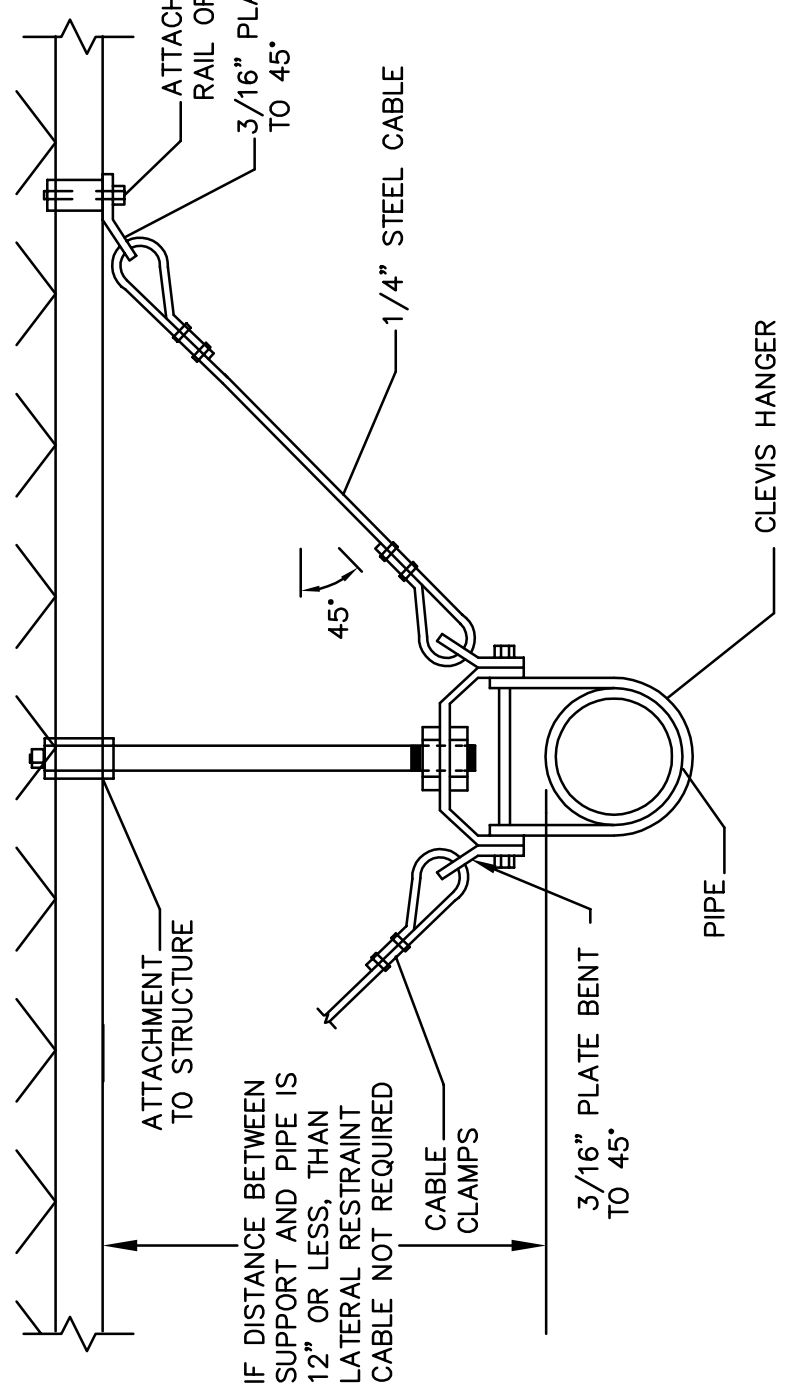
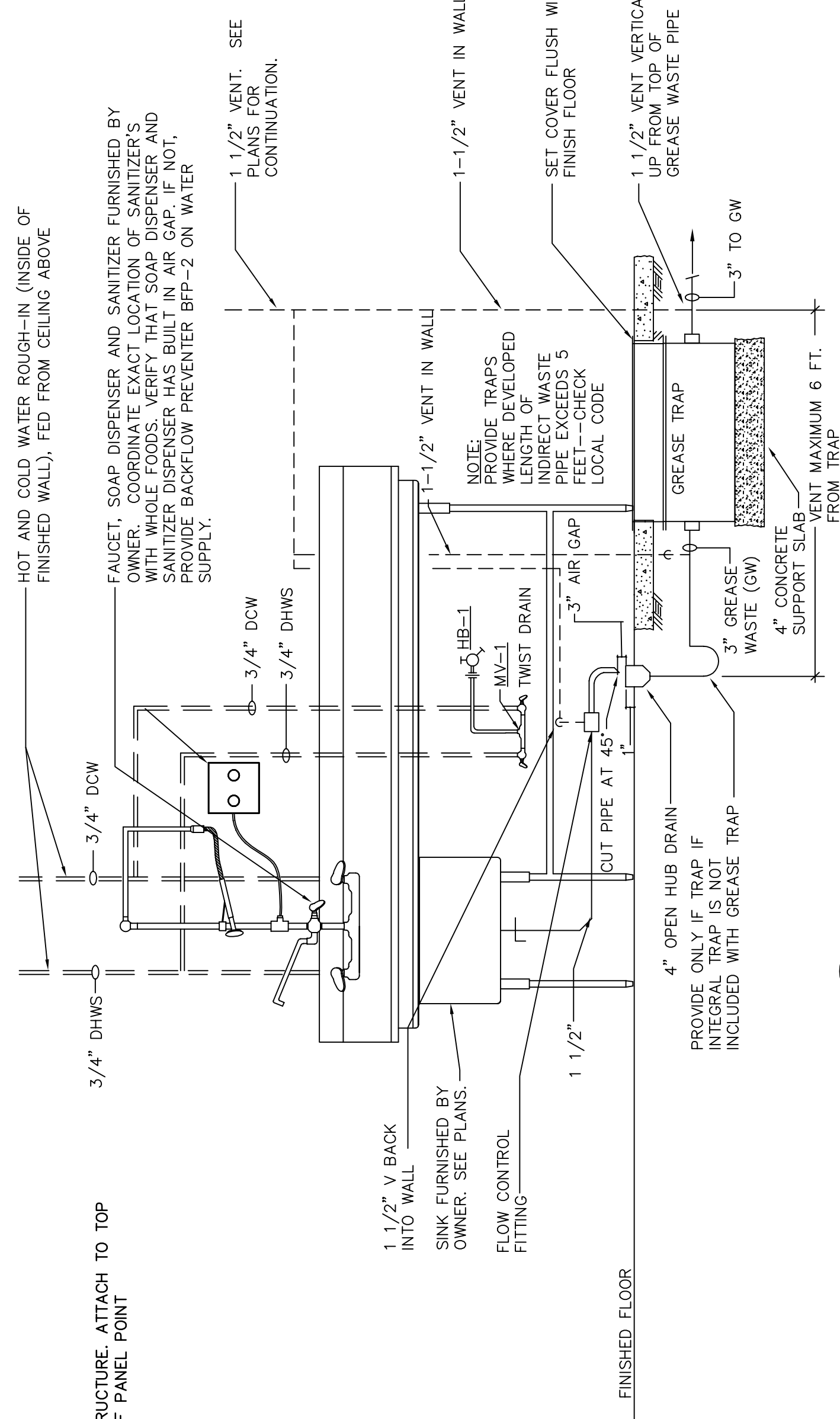


CABLE SPACING FOR SEISMIC RESTRAINTS

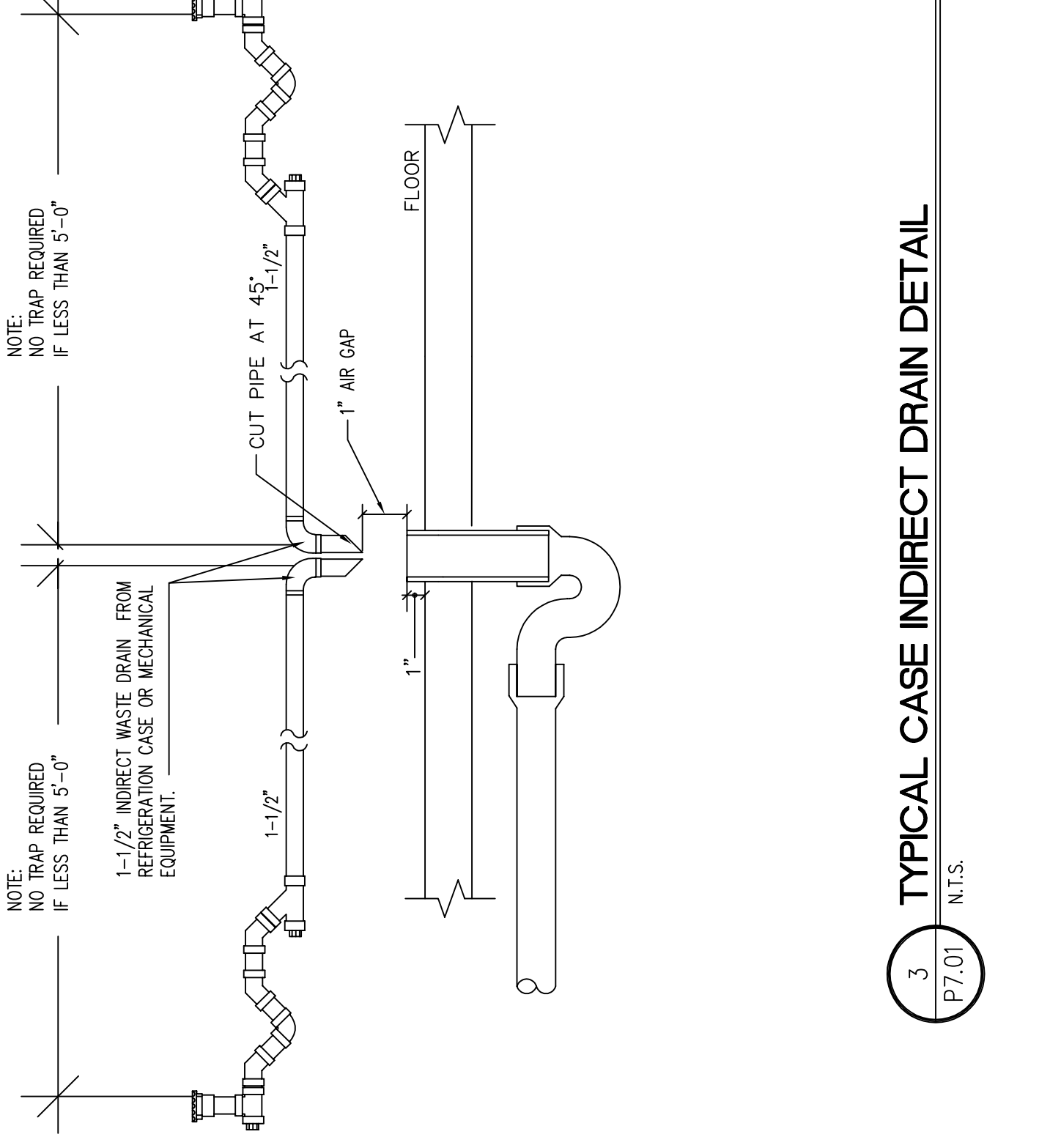
PIPE SIZE	CABLE SPACING
1" TO 1-1/2"	14"-0"
2"-1/2" TO 3"	17"-0"
4" TO 3"	17"-0"
1-1/2"	11"-0"
1-1/2"	11"-0"
2-1/2" TO 3"	18"-0"



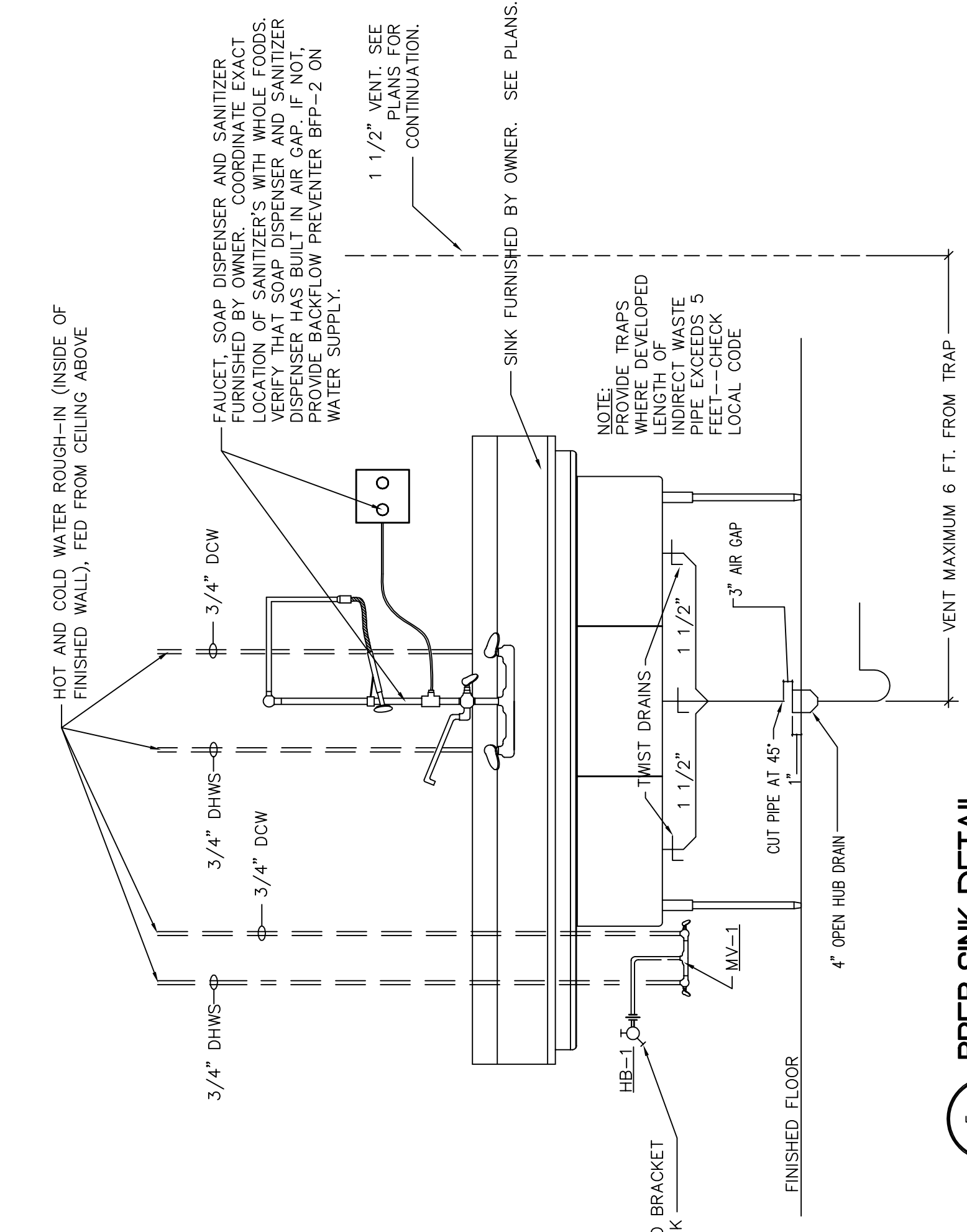
1 TYPICAL SEISMIC RESTRAINT PIPE HANGER
 P7.01 N.T.S.



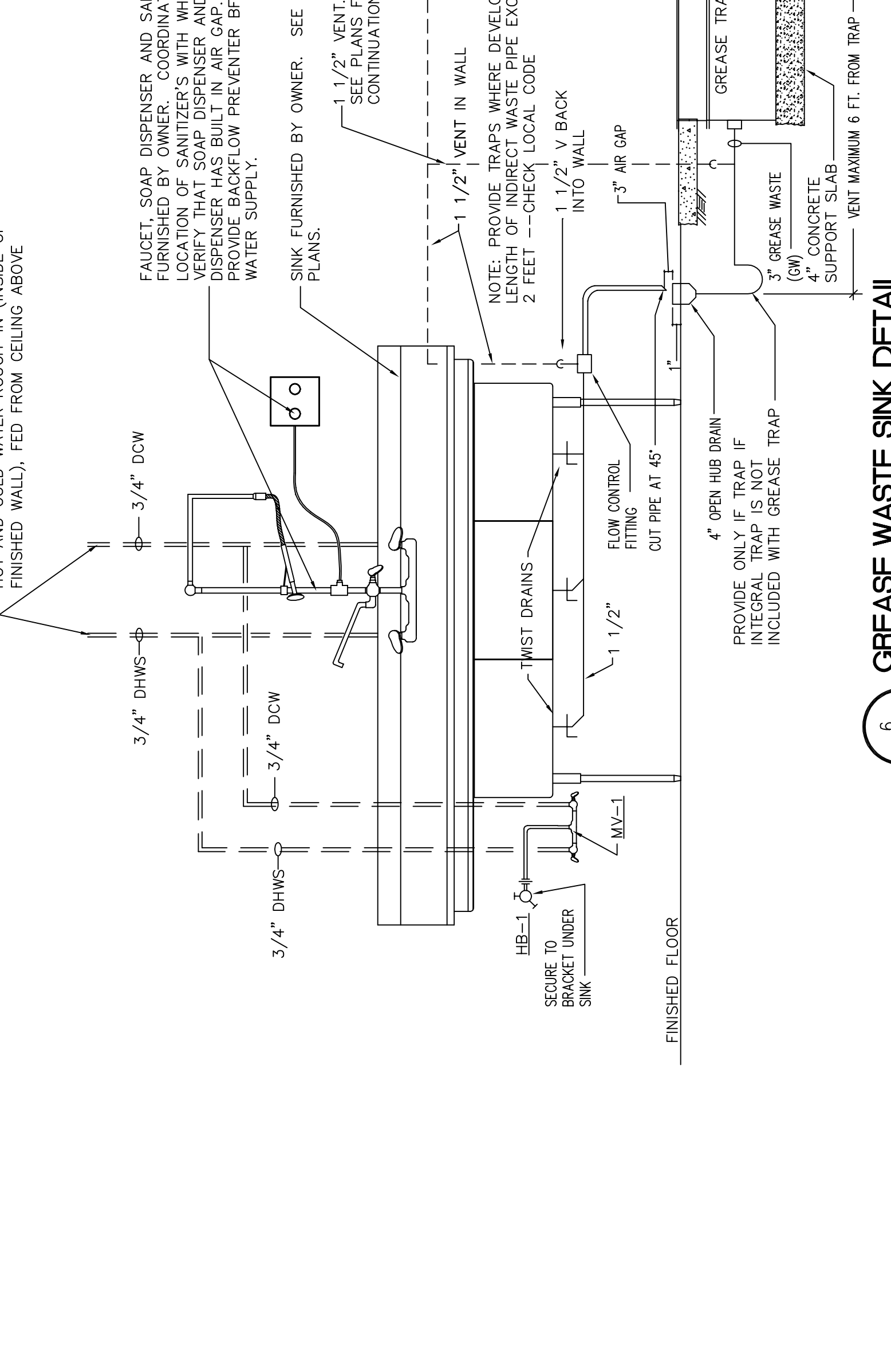
2 POULTRY SINK DETAIL #321, #529
 P7.01 N.T.S.



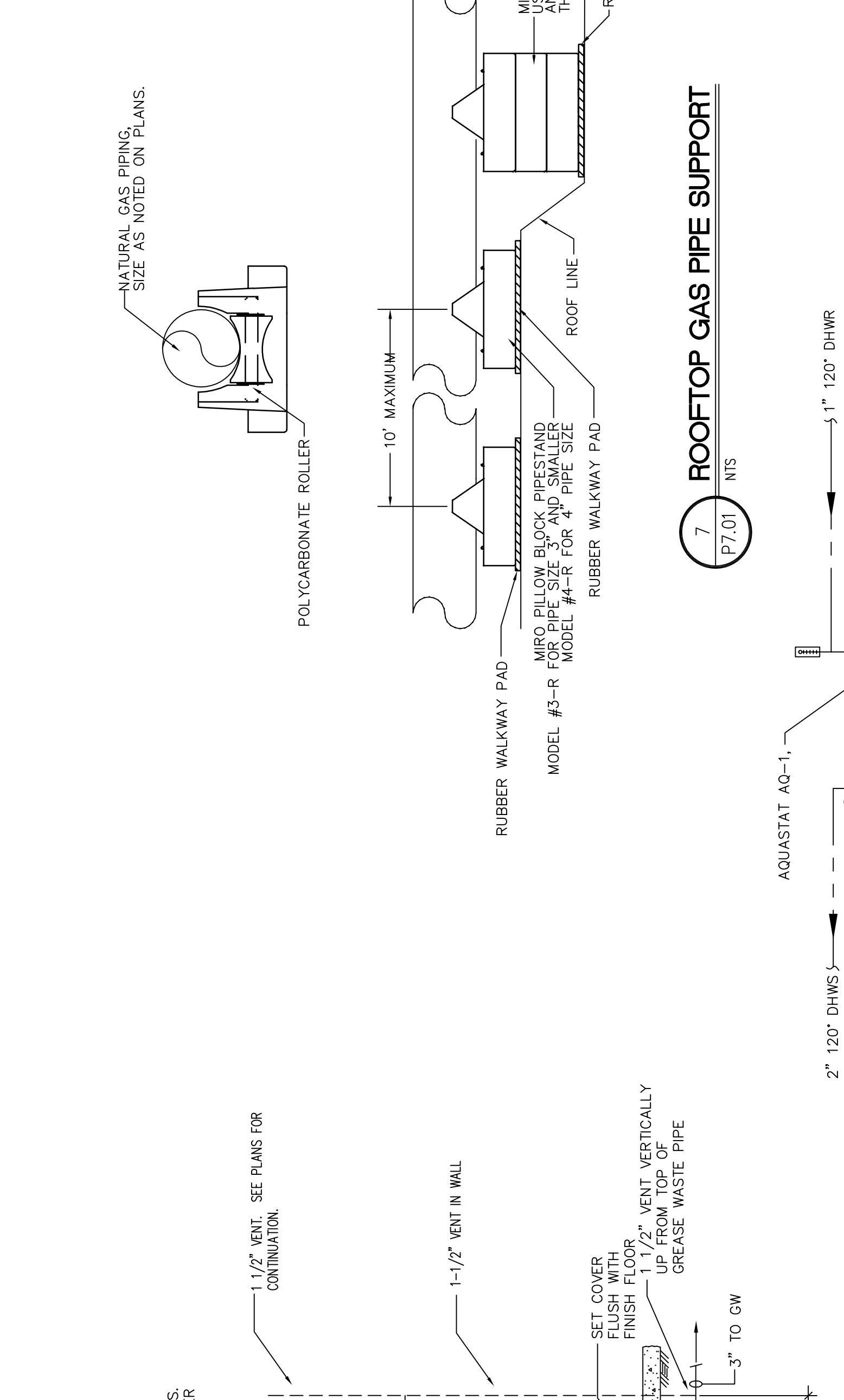
3 TYPICAL CASE INDIRECT DRAIN DETAIL
 P7.01 N.T.S.



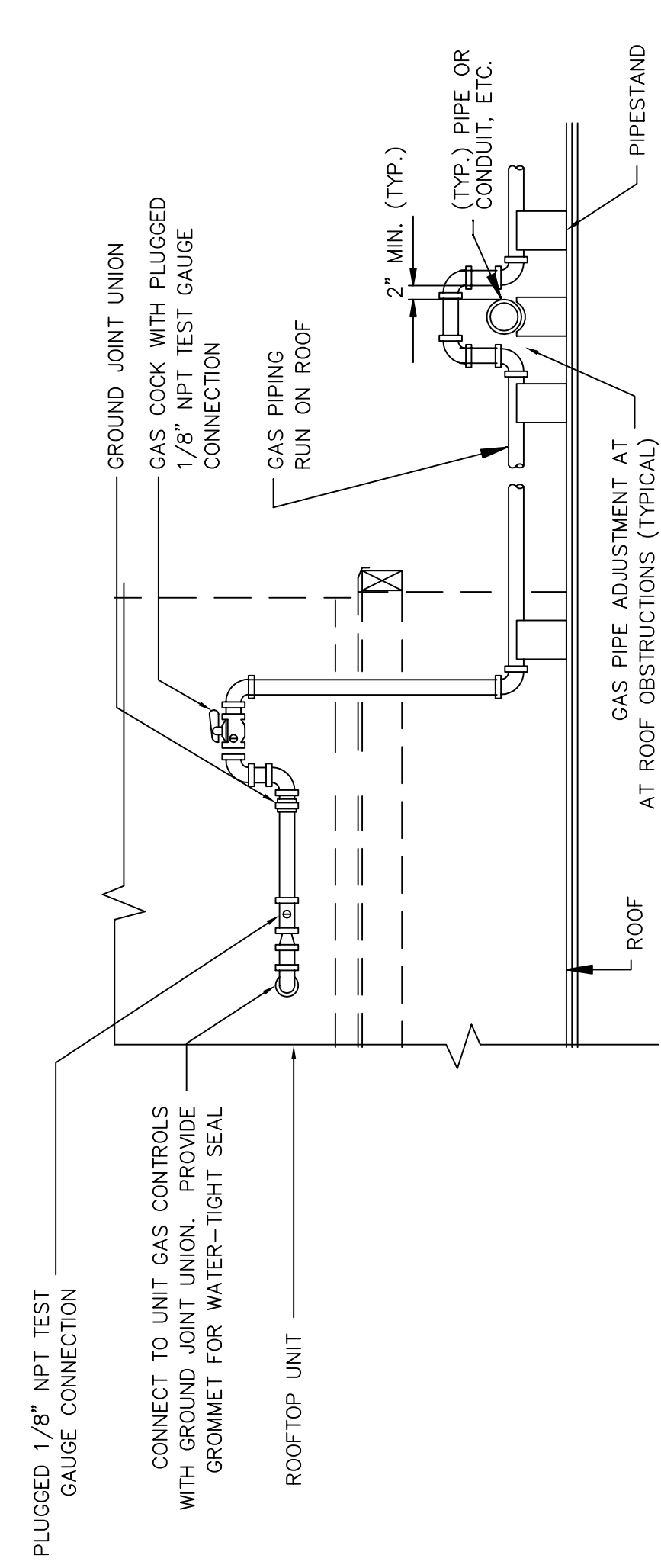
4 PREP SINK DETAIL
 P7.01 N.T.S.



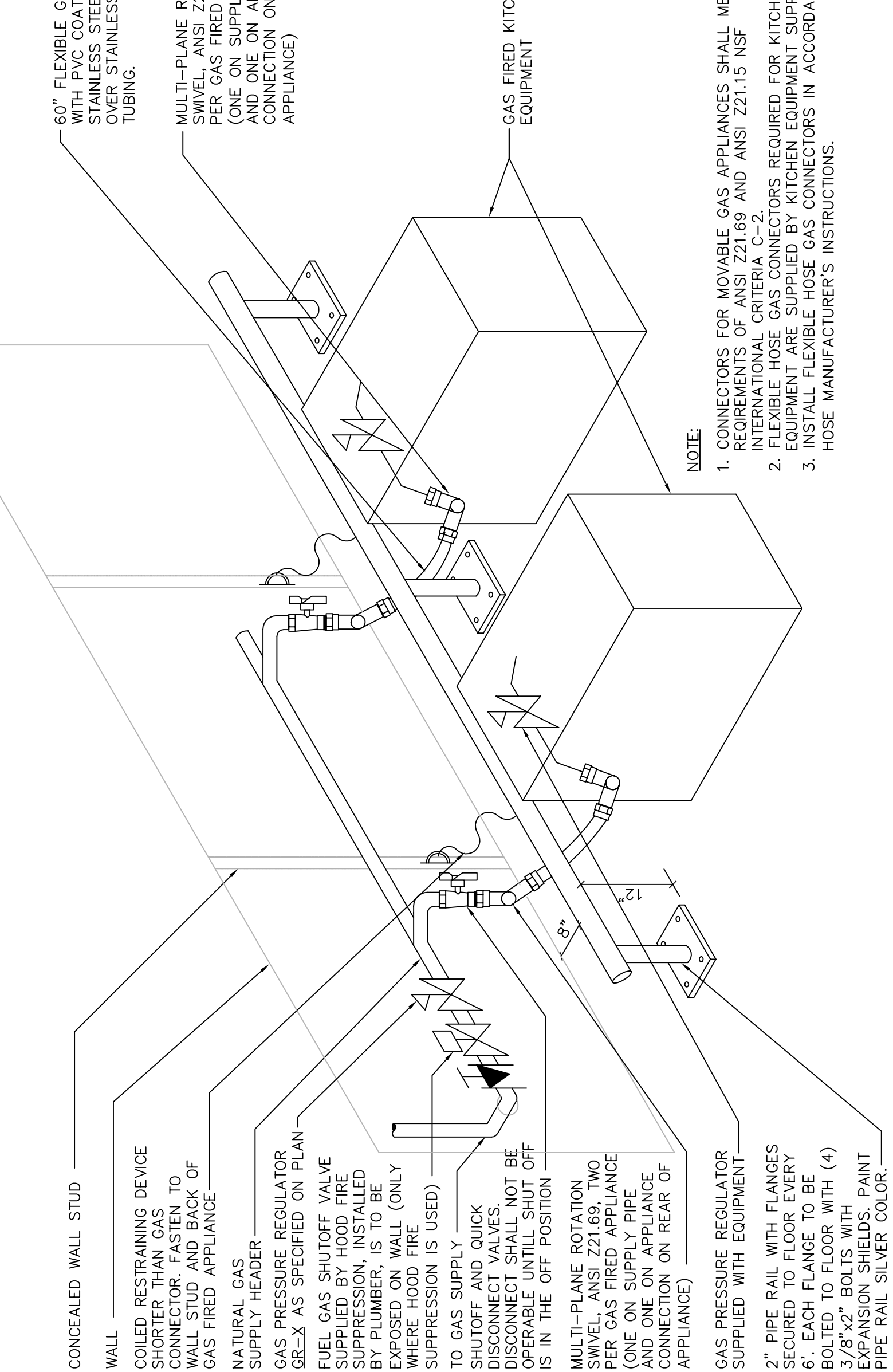
5 GREASE WASTE SINK DETAIL
 P7.01 N.T.S.



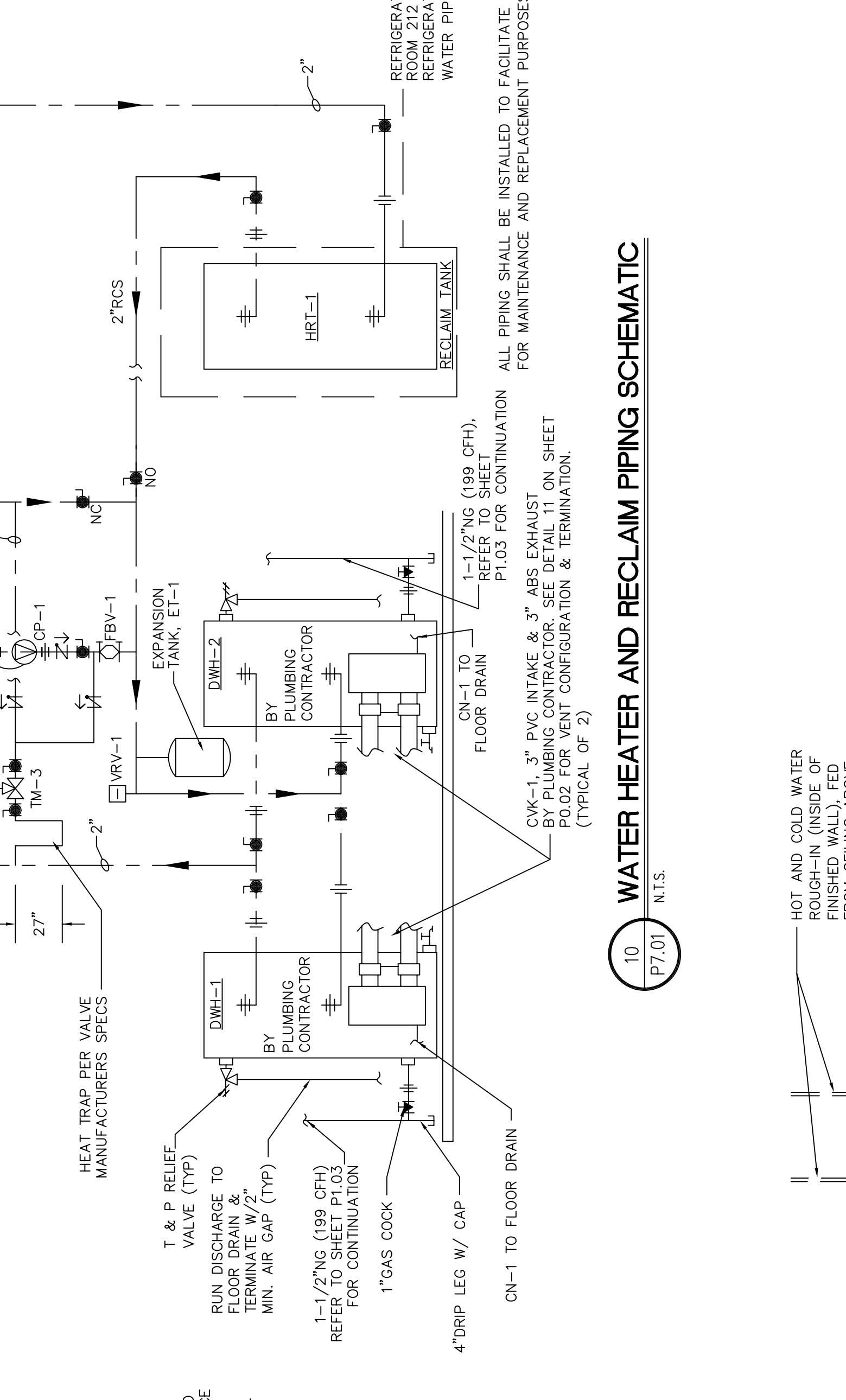
6 SINK #210 DETAIL
 P7.01 N.T.S.



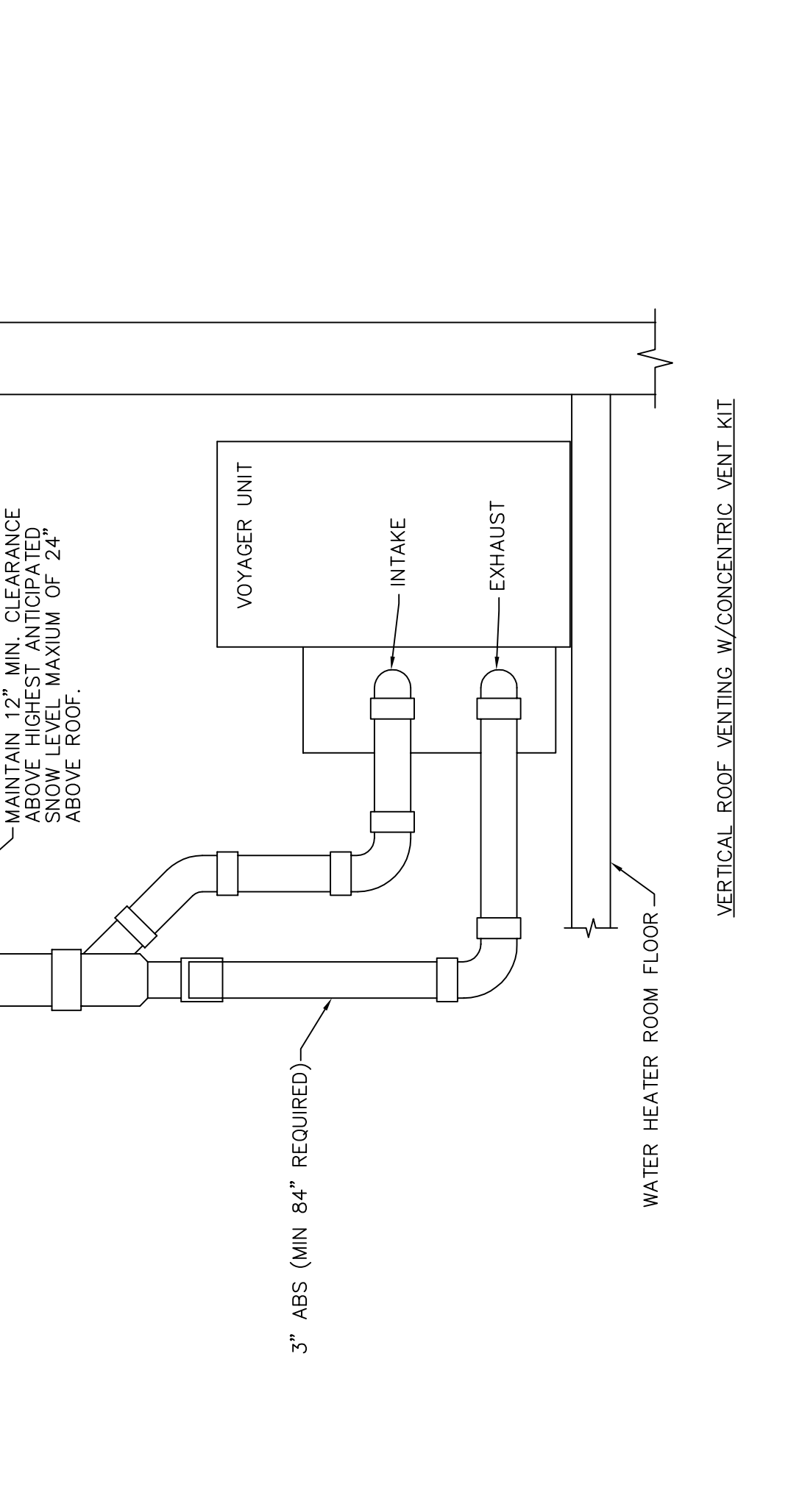
7 NATURAL GAS CONNECTION TO ROOF TOP EQUIPMENT DETAIL
 P7.01 N.T.S.



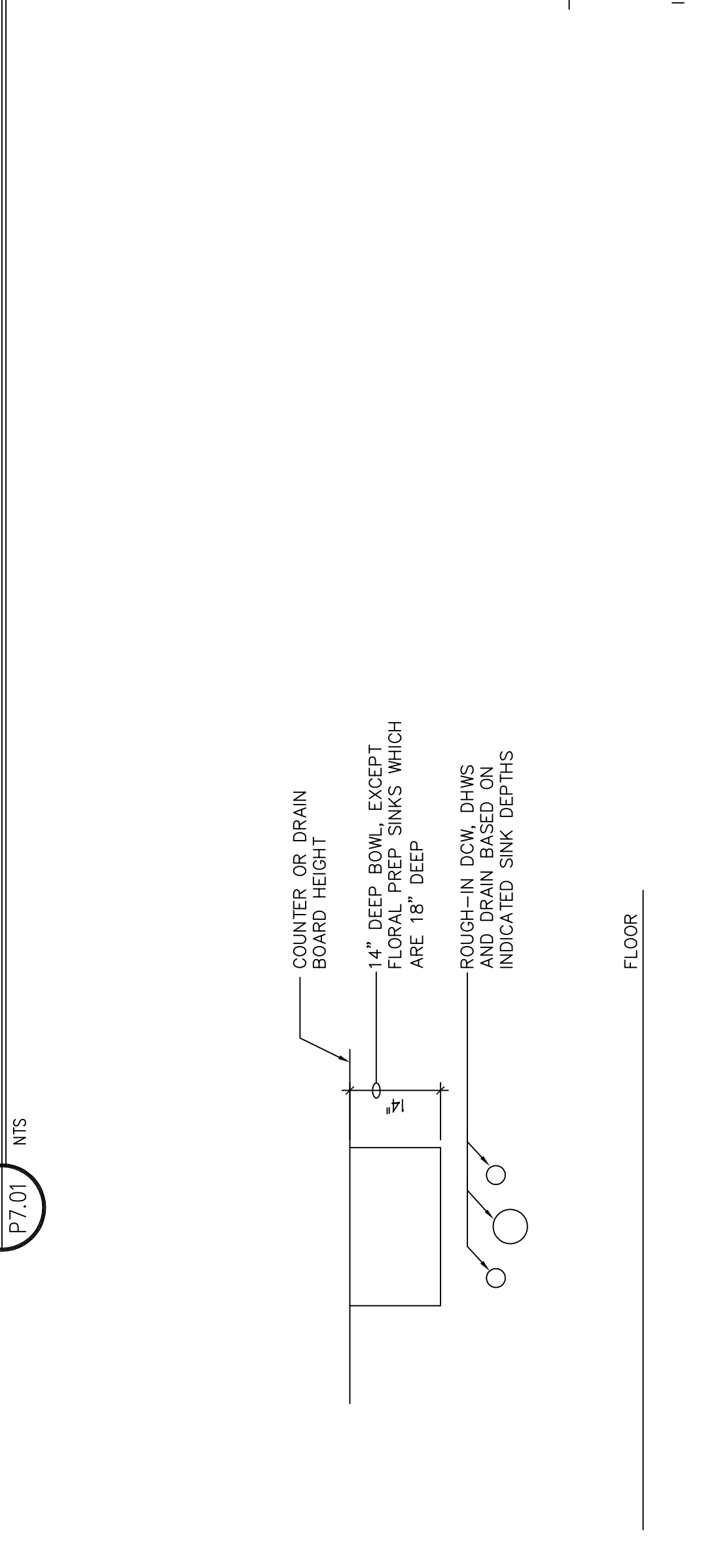
8 TYPICAL MANIFOLD KITCHEN EQUIPMENT NATURAL GAS CONNECTION DETAIL
 P7.01 N.T.S.



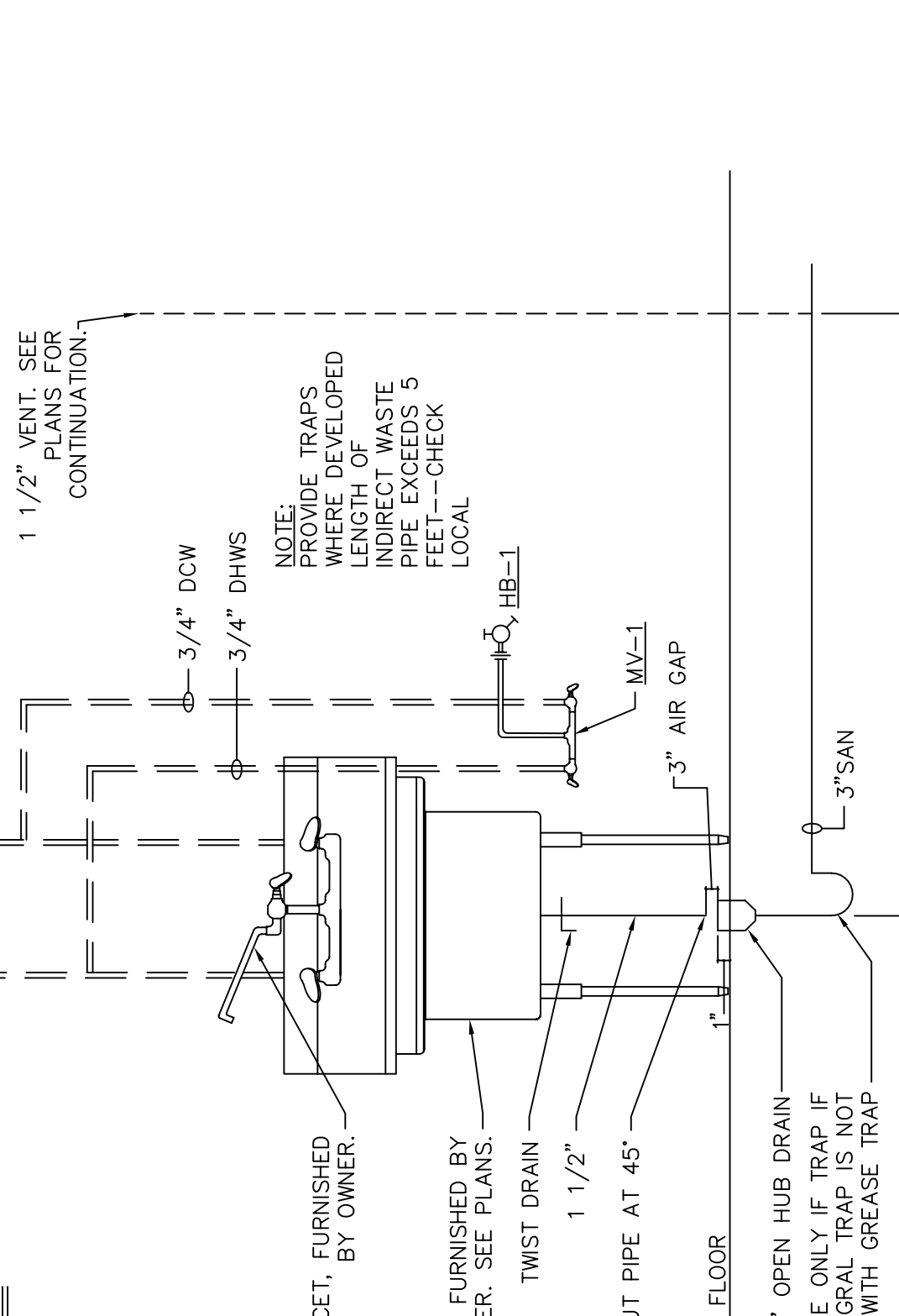
9 WATER HEATER AND RECLAIM PIPING SCHEMATIC
 P7.01 N.T.S.



10 WATER HEATER CONCENTRIC VENT PIPING SCHEMATIC
 P7.01 N.T.S.



11 TYPICAL SINK ROUGH-IN DETAIL
 P7.01 N.T.S.



12 1 COMP. PREP SINK DETAIL #130, #409, #528 AND #613
 P7.01 N.T.S.