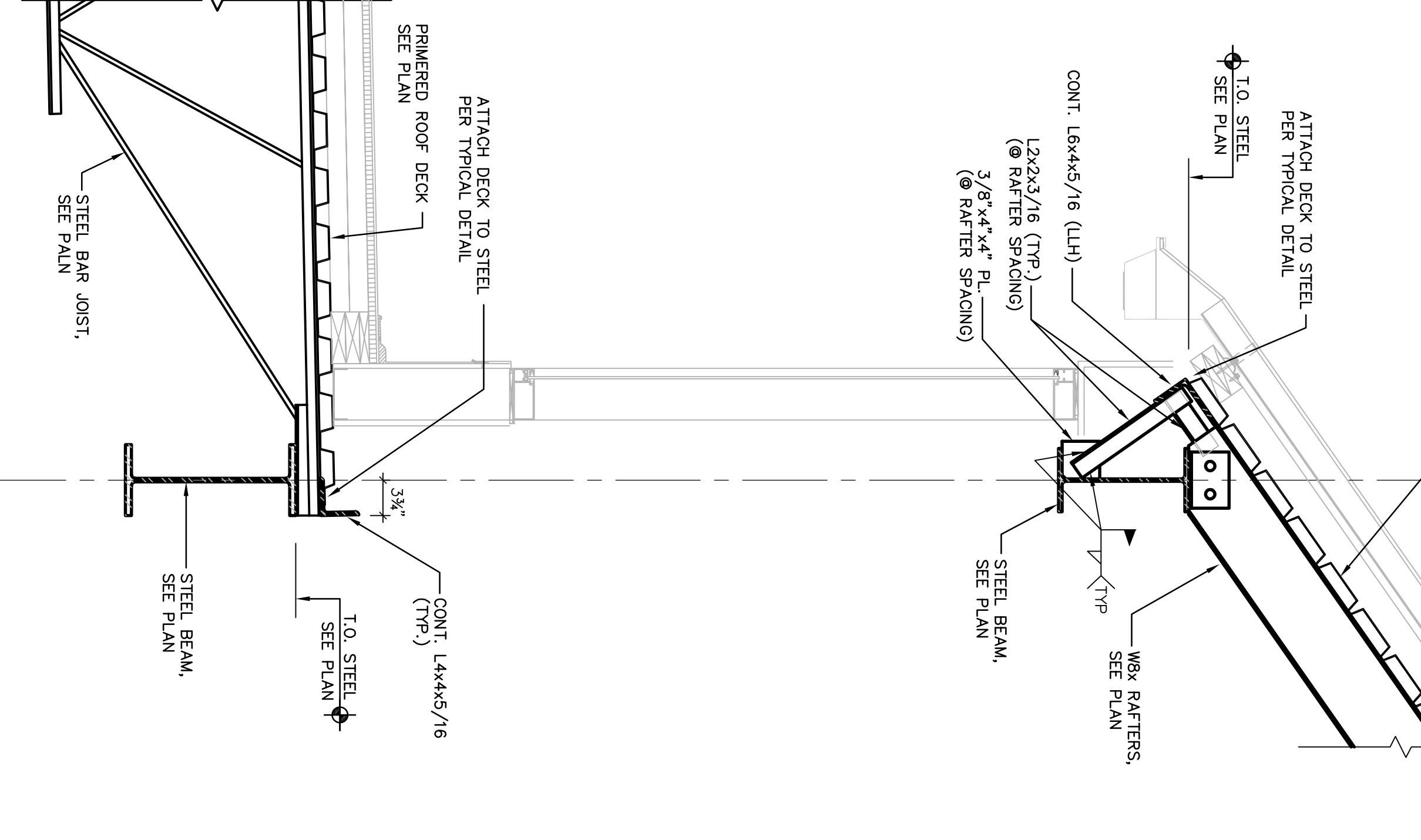
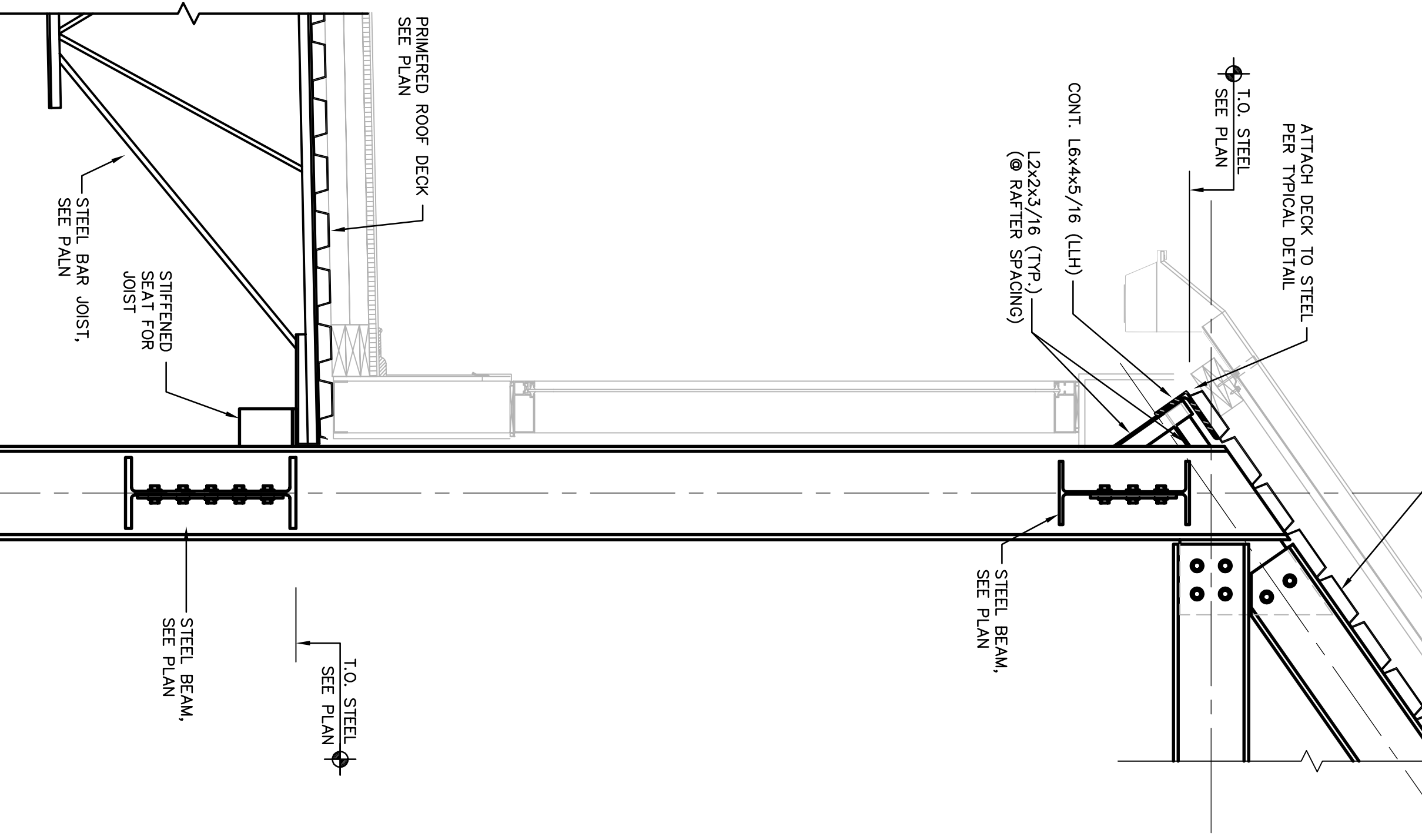


NOTE: MAINTAIN ALL ROOFING FLASHING, INSULATION, AND EXTERIOR WALL SYSTEMS WITH ARCH. DIMS.



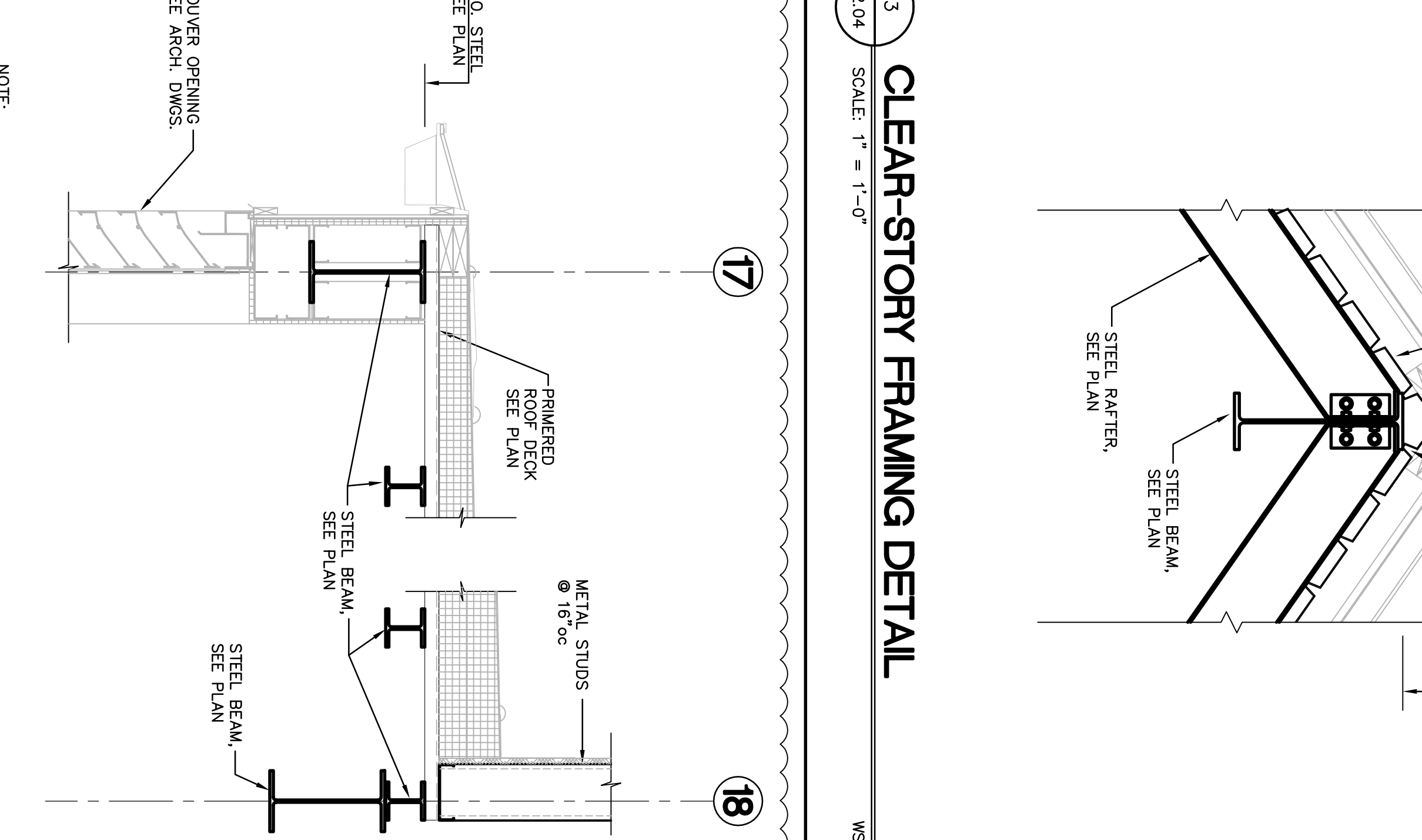
1 CLEAR-STORY FRAMING DETAIL

NOTE: MAINTAIN ALL ROOFING FLASHING, INSULATION, AND EXTERIOR WALL SYSTEMS WITH ARCH. DIMS.



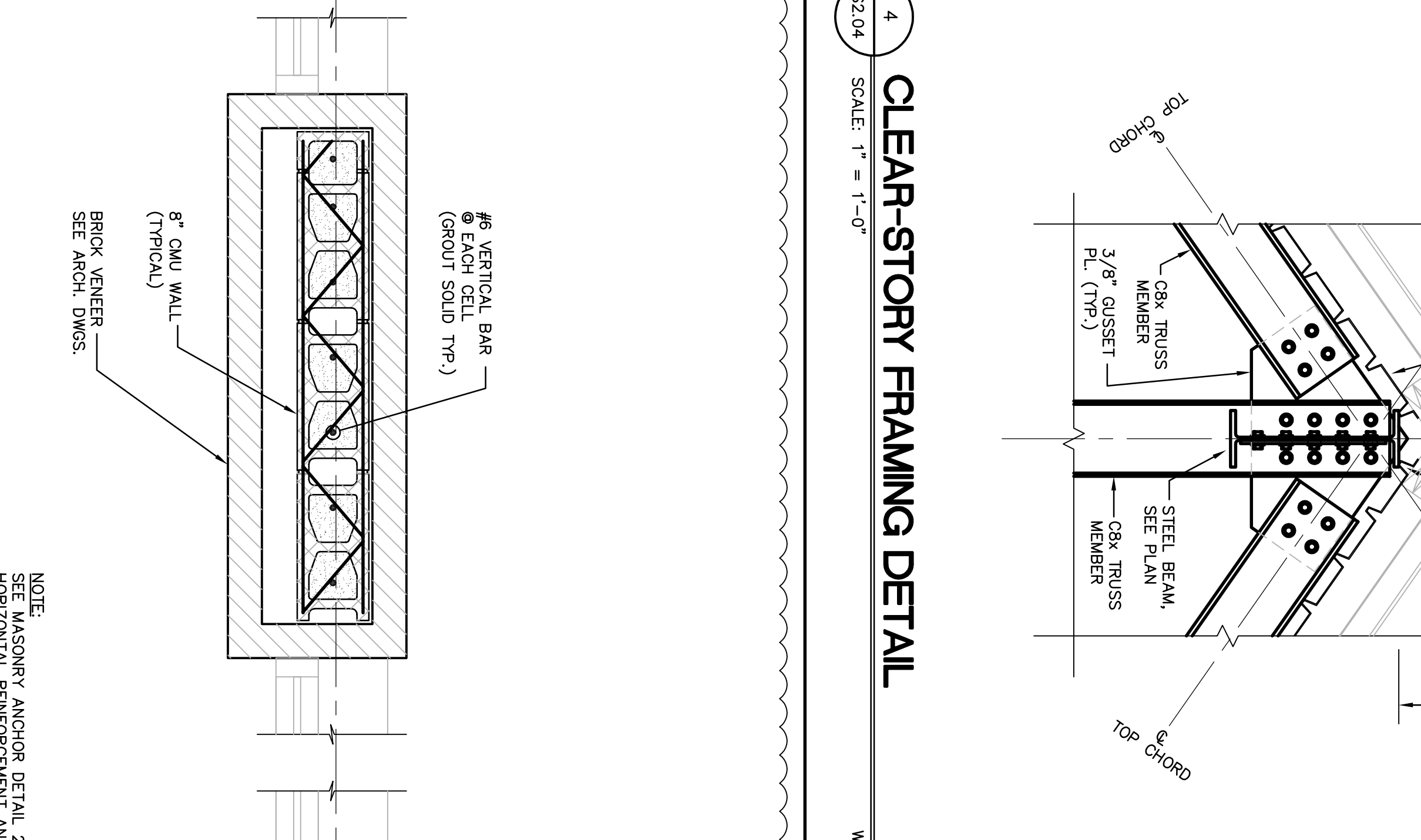
2 CLEAR-STORY FRAMING DETAIL

NOTE: MAINTAIN ALL ROOFING FLASHING, INSULATION, AND EXTERIOR WALL SYSTEMS WITH ARCH. DIMS.



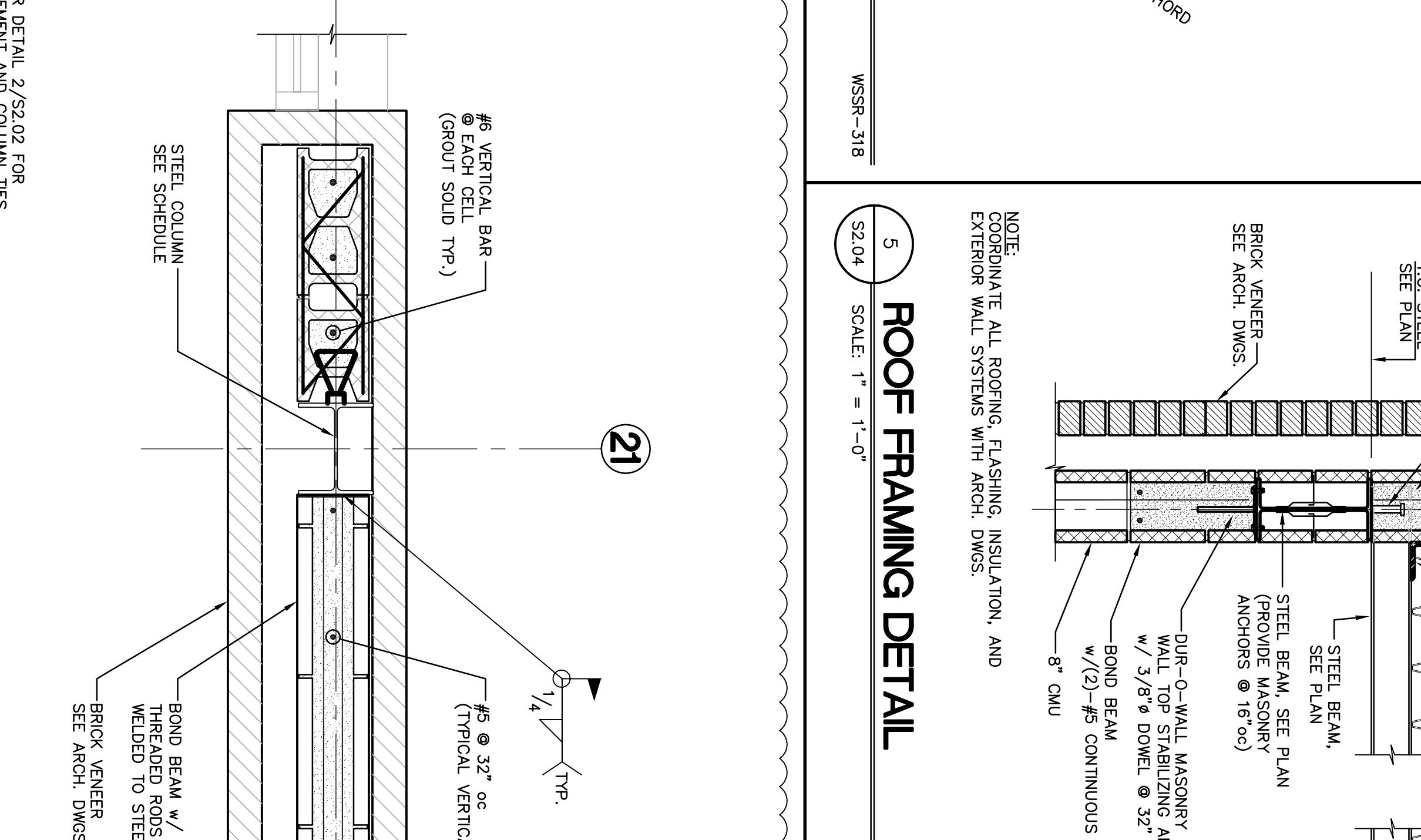
3 CLEAR-STORY FRAMING DETAIL

NOTE: MAINTAIN ALL ROOFING FLASHING, INSULATION, AND EXTERIOR WALL SYSTEMS WITH ARCH. DIMS.



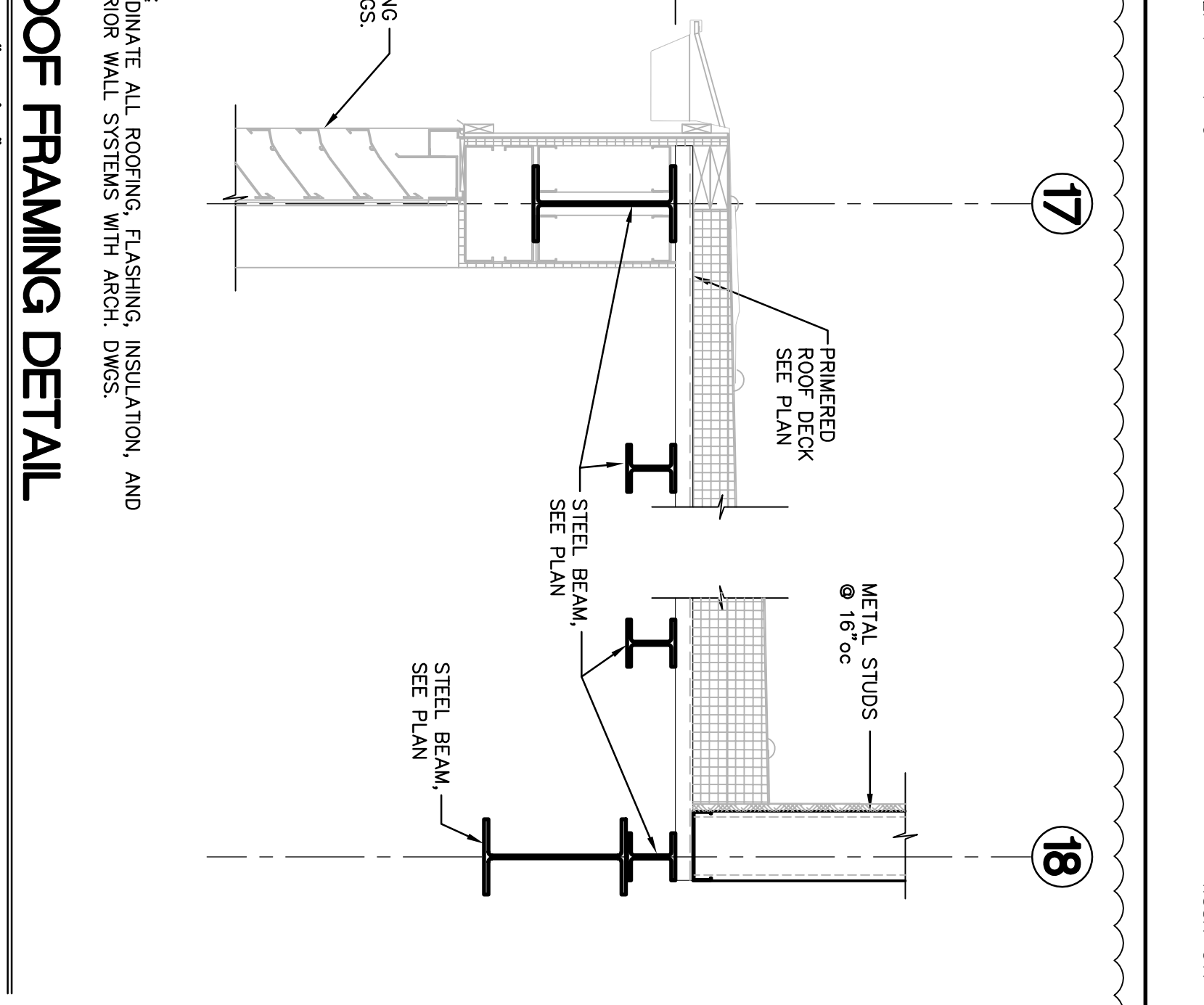
4 CLEAR-STORY FRAMING DETAIL

NOTE: MAINTAIN ALL ROOFING FLASHING, INSULATION, AND EXTERIOR WALL SYSTEMS WITH ARCH. DIMS.

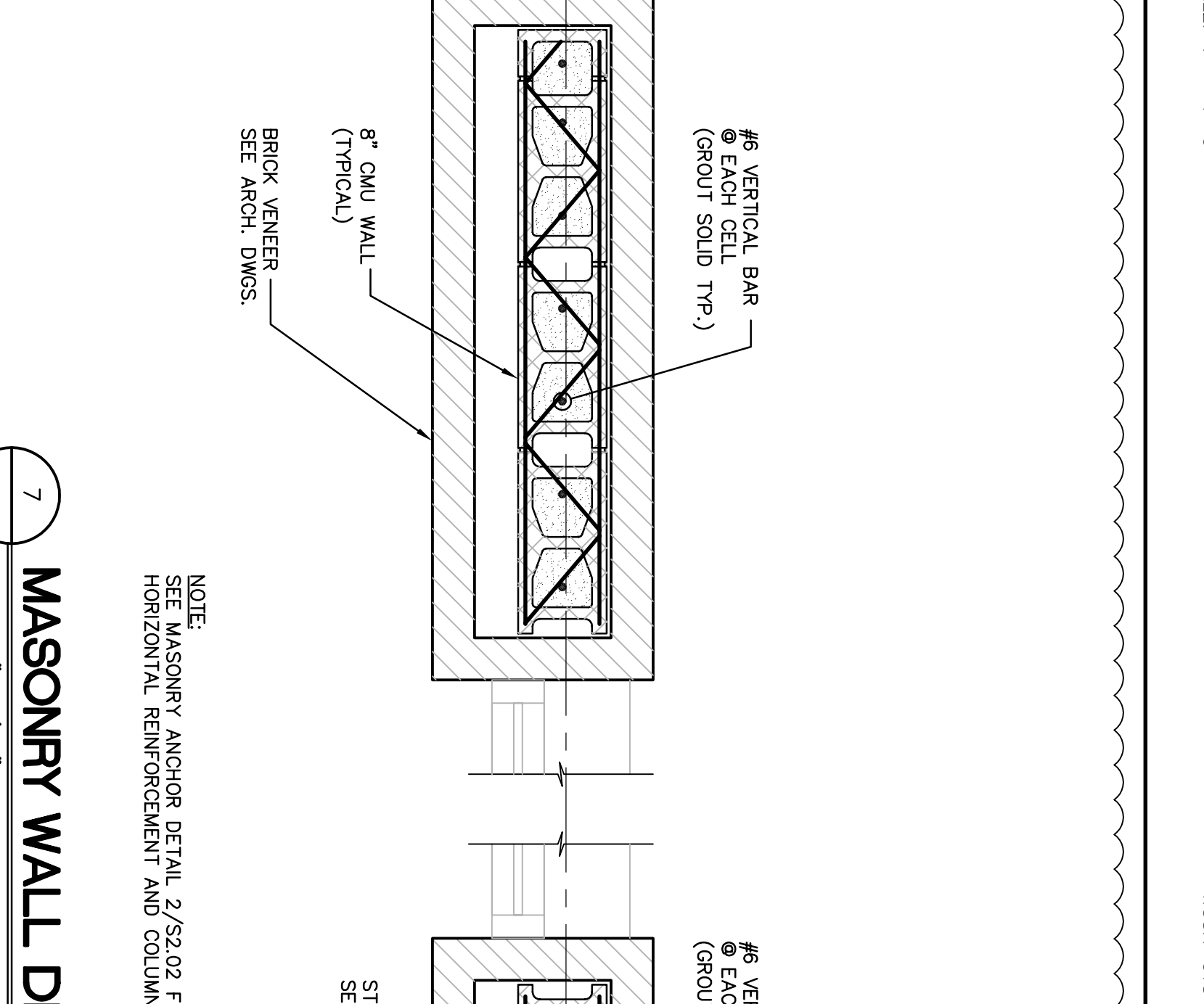


5 ROOF FRAMING DETAIL

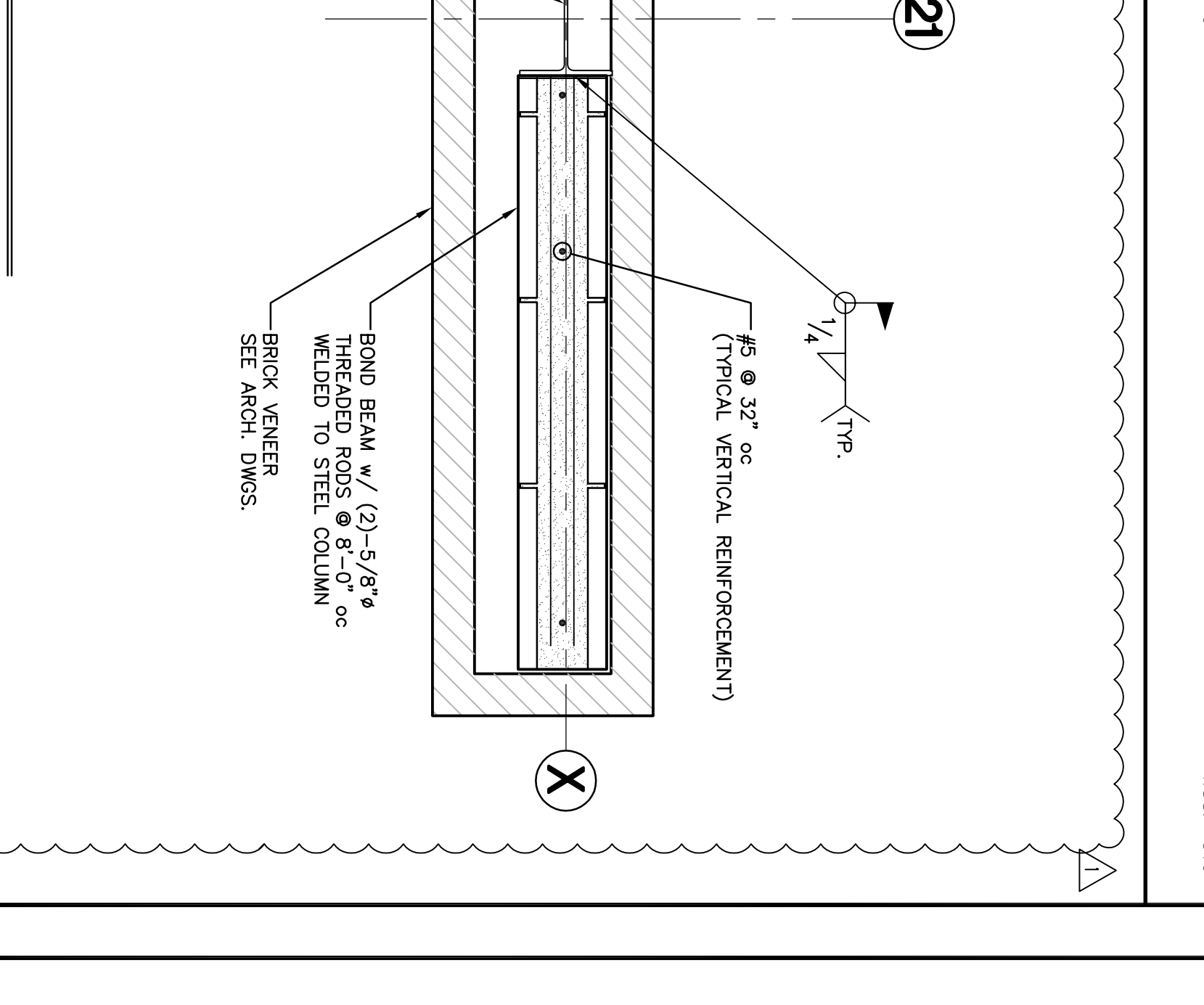
8 ROOF FRAMING DETAIL



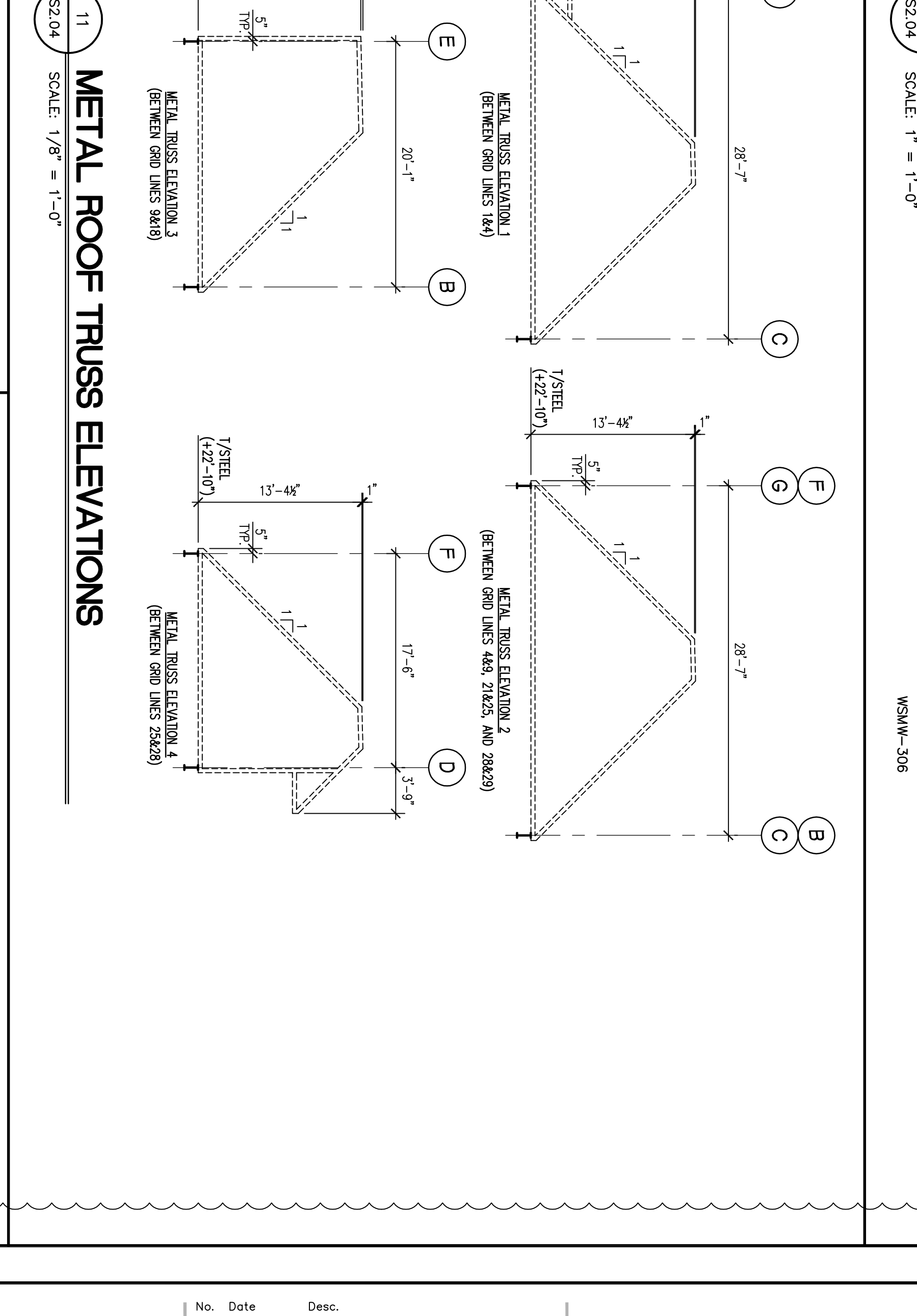
9 ROOF FRAMING DETAIL



10 ROOF FRAMING DETAIL

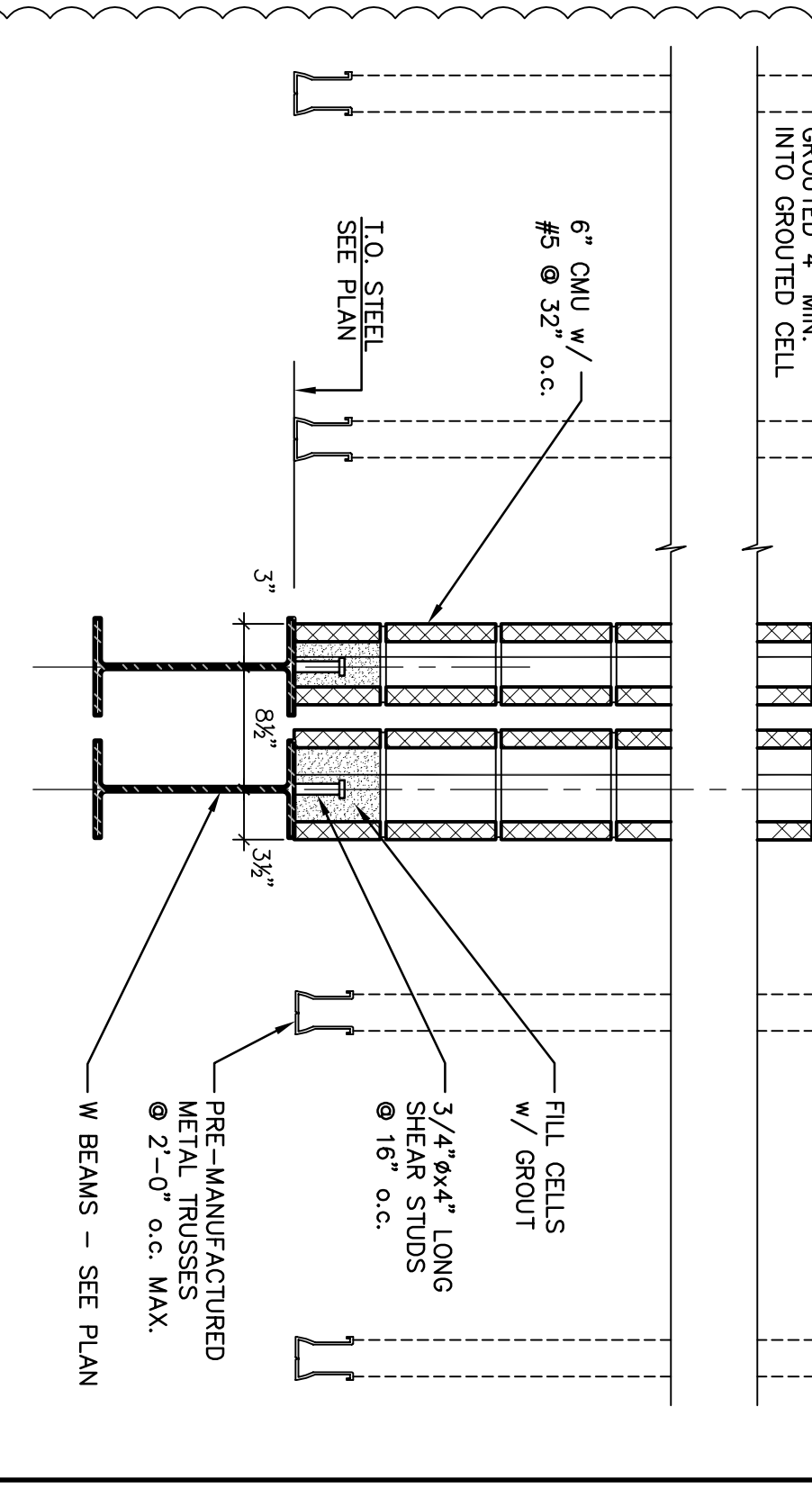


11 METAL ROOF TRUSS ELEVATIONS



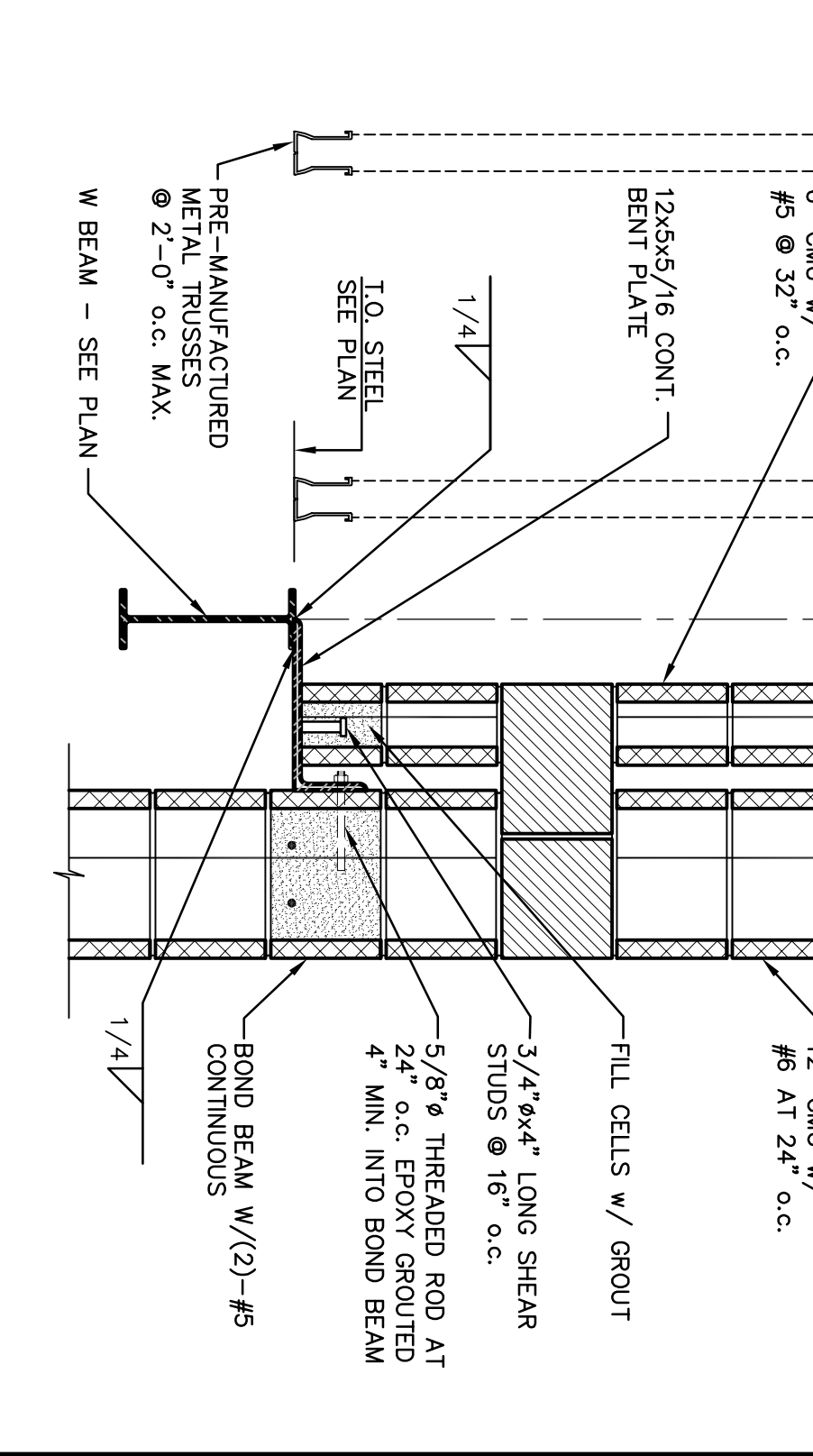
8 ROOF FRAMING DETAIL

NOTE: MAINTAIN ALL ROOFING FLASHING, INSULATION, AND EXTERIOR WALL SYSTEMS WITH ARCH. DIMS.



9 ROOF FRAMING DETAIL

NOTE: MAINTAIN ALL ROOFING FLASHING, INSULATION, AND EXTERIOR WALL SYSTEMS WITH ARCH. DIMS.



10 ROOF FRAMING DETAIL

NOTE: MAINTAIN ALL ROOFING FLASHING, INSULATION, AND EXTERIOR WALL SYSTEMS WITH ARCH. DIMS.

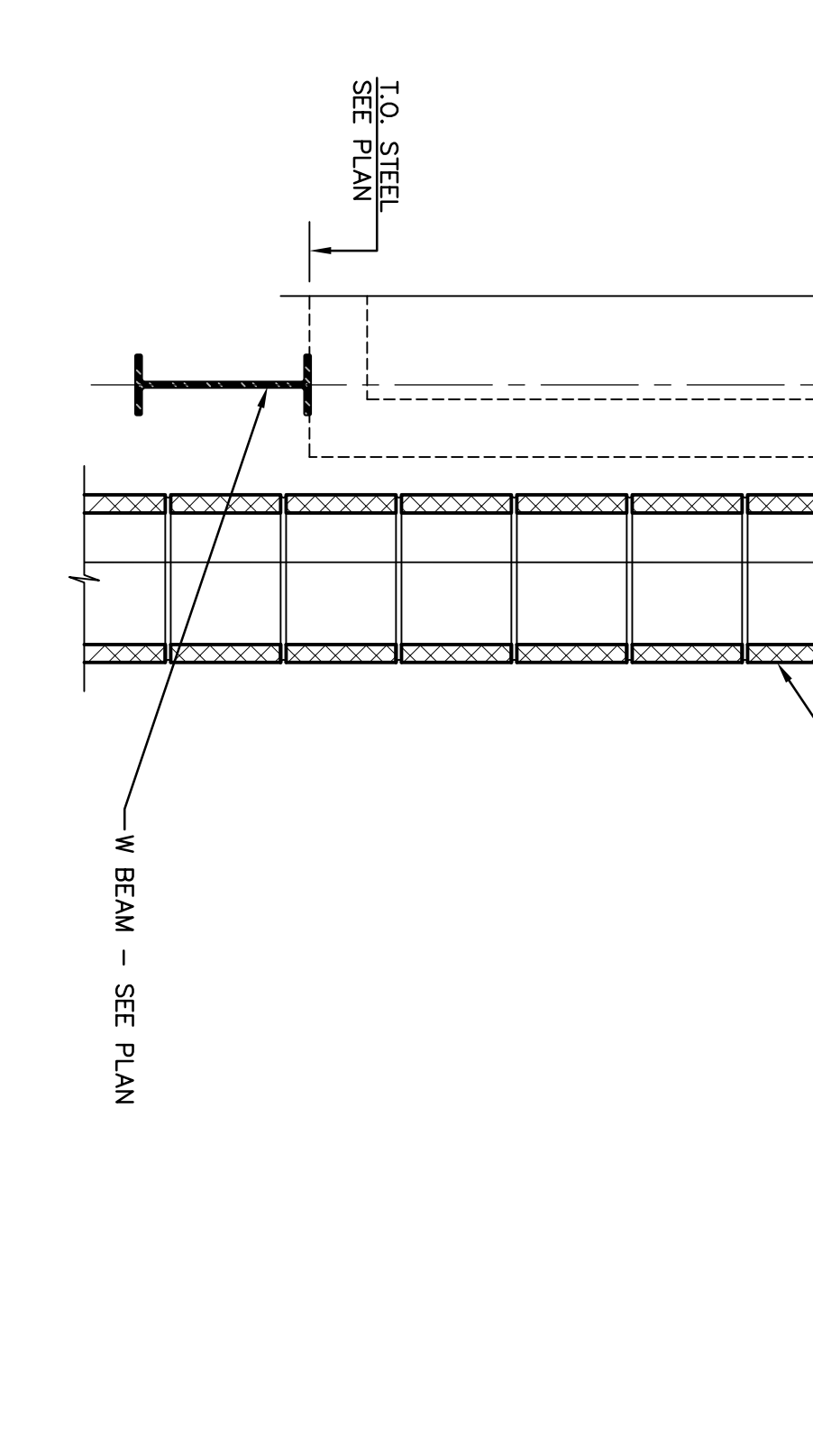


Table with 3 columns: No., Date, Desc. Includes revision history and project information.

PROPOSED GROCERY STORE
FRANKLIN ST. ARTERIAL, FOX/SOMERSET ST., PEARL ST.
PORTLAND, CUMBERLAND COUNTY, MAINE

