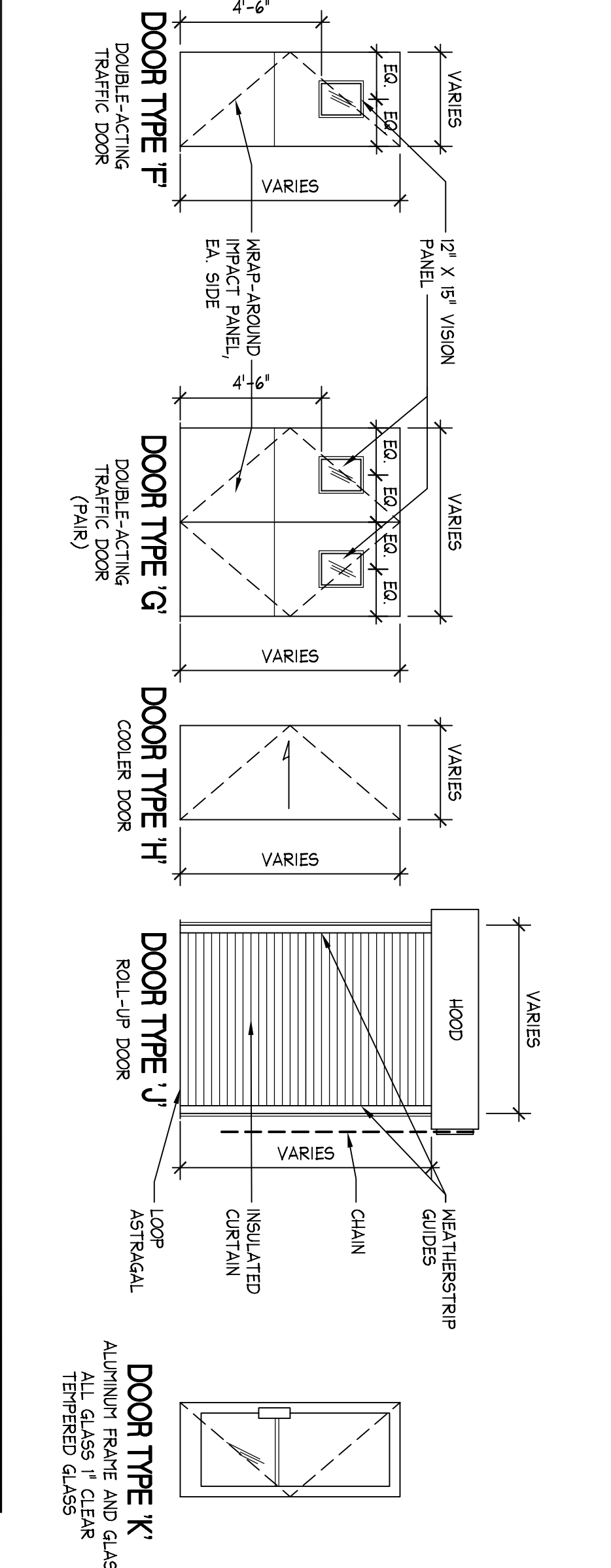
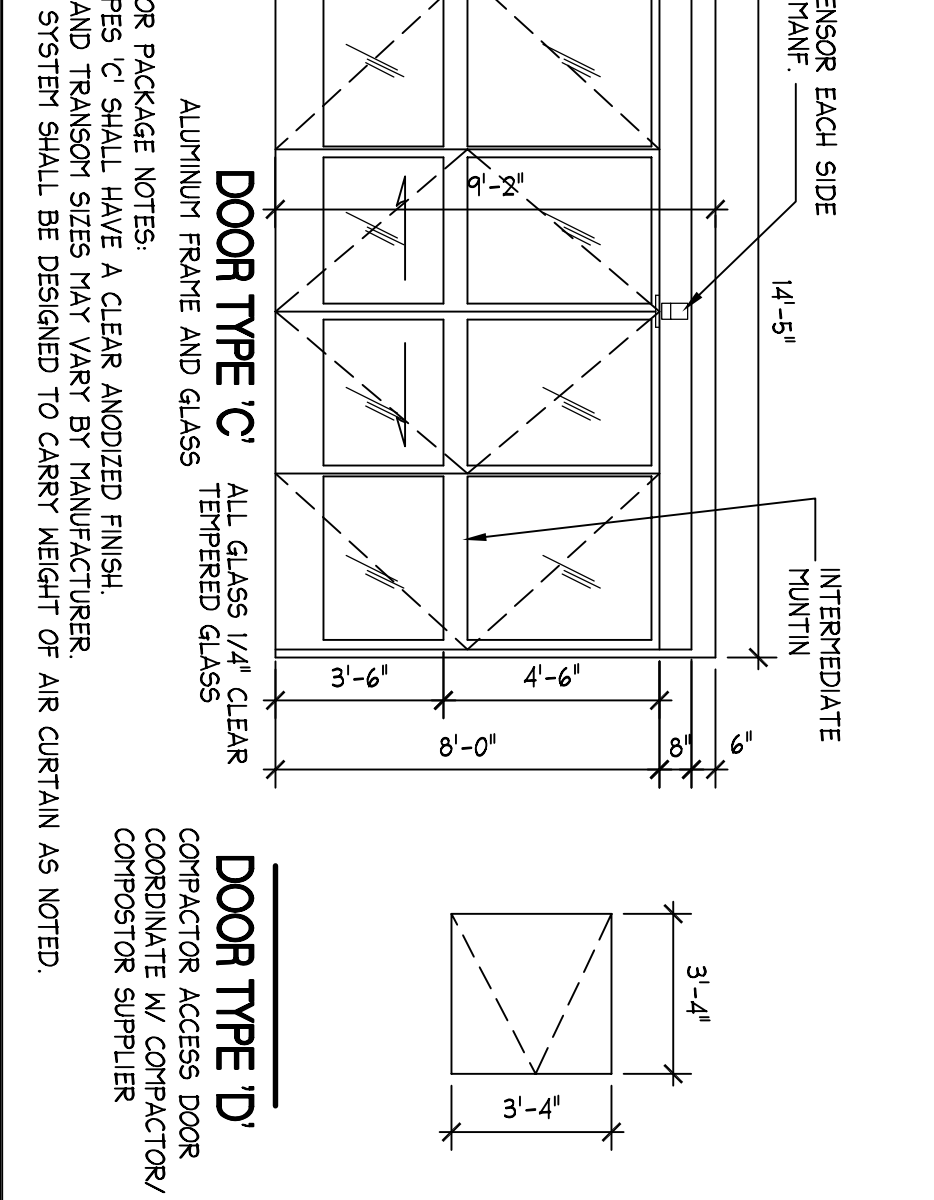
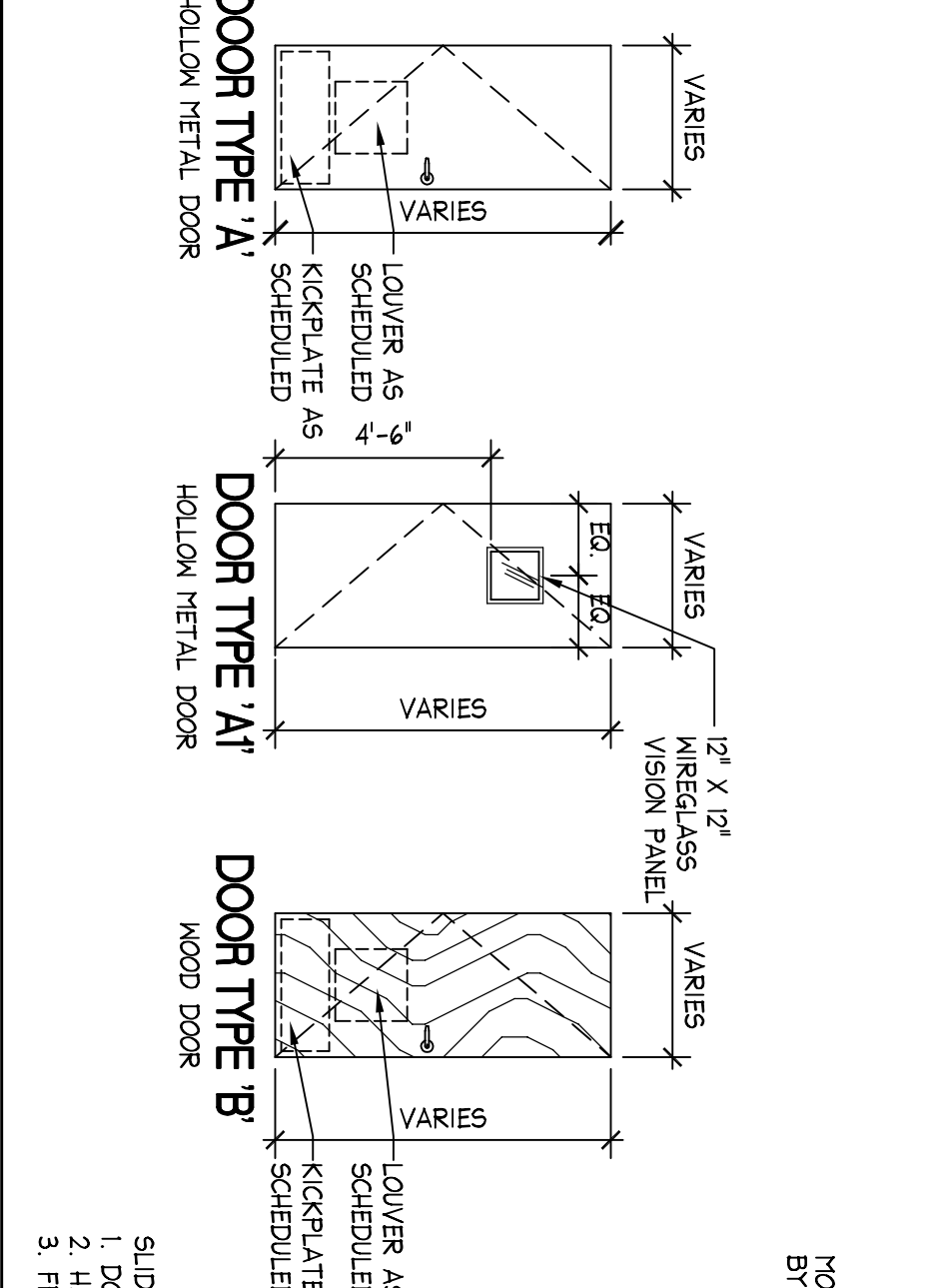
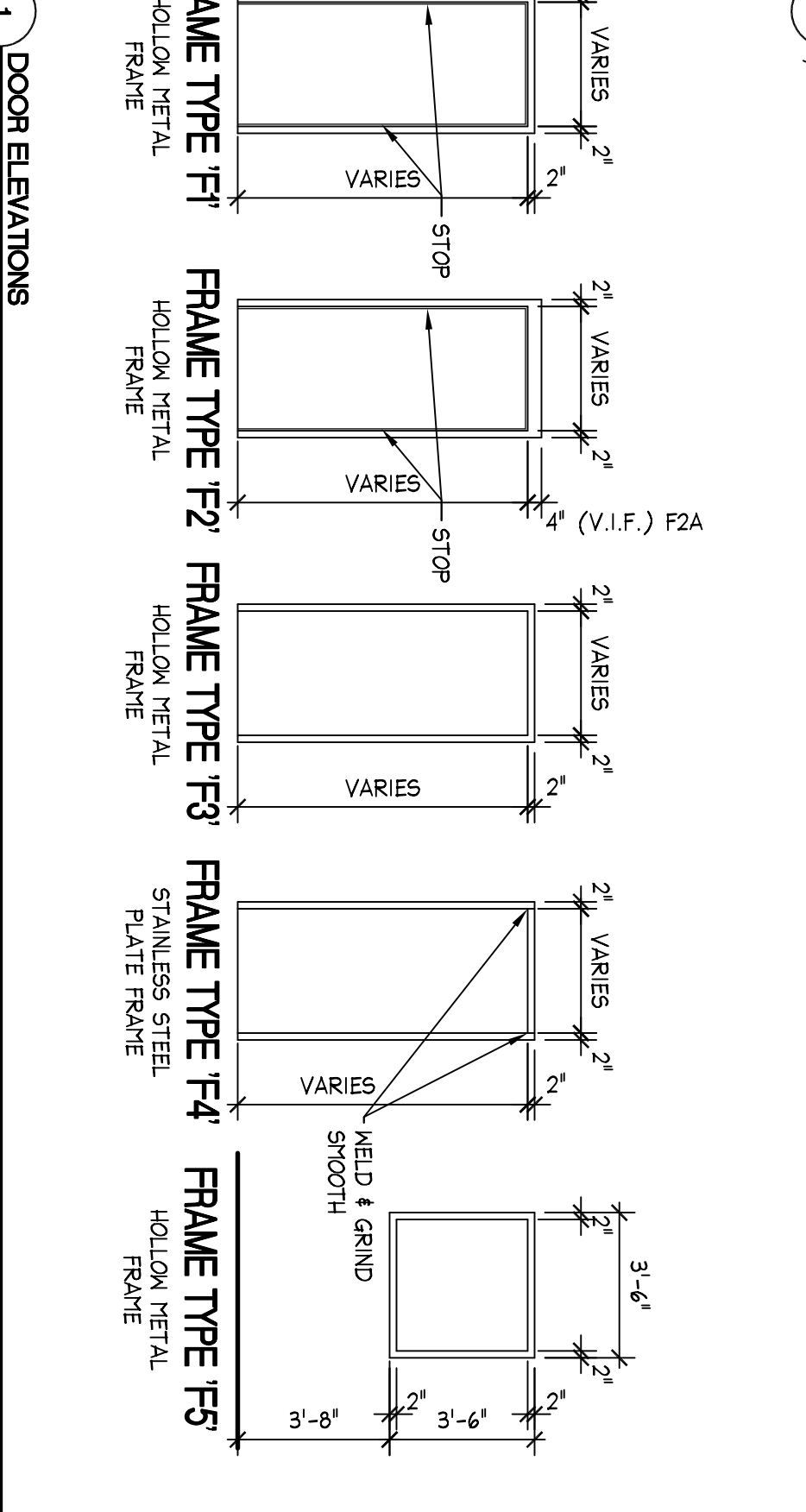
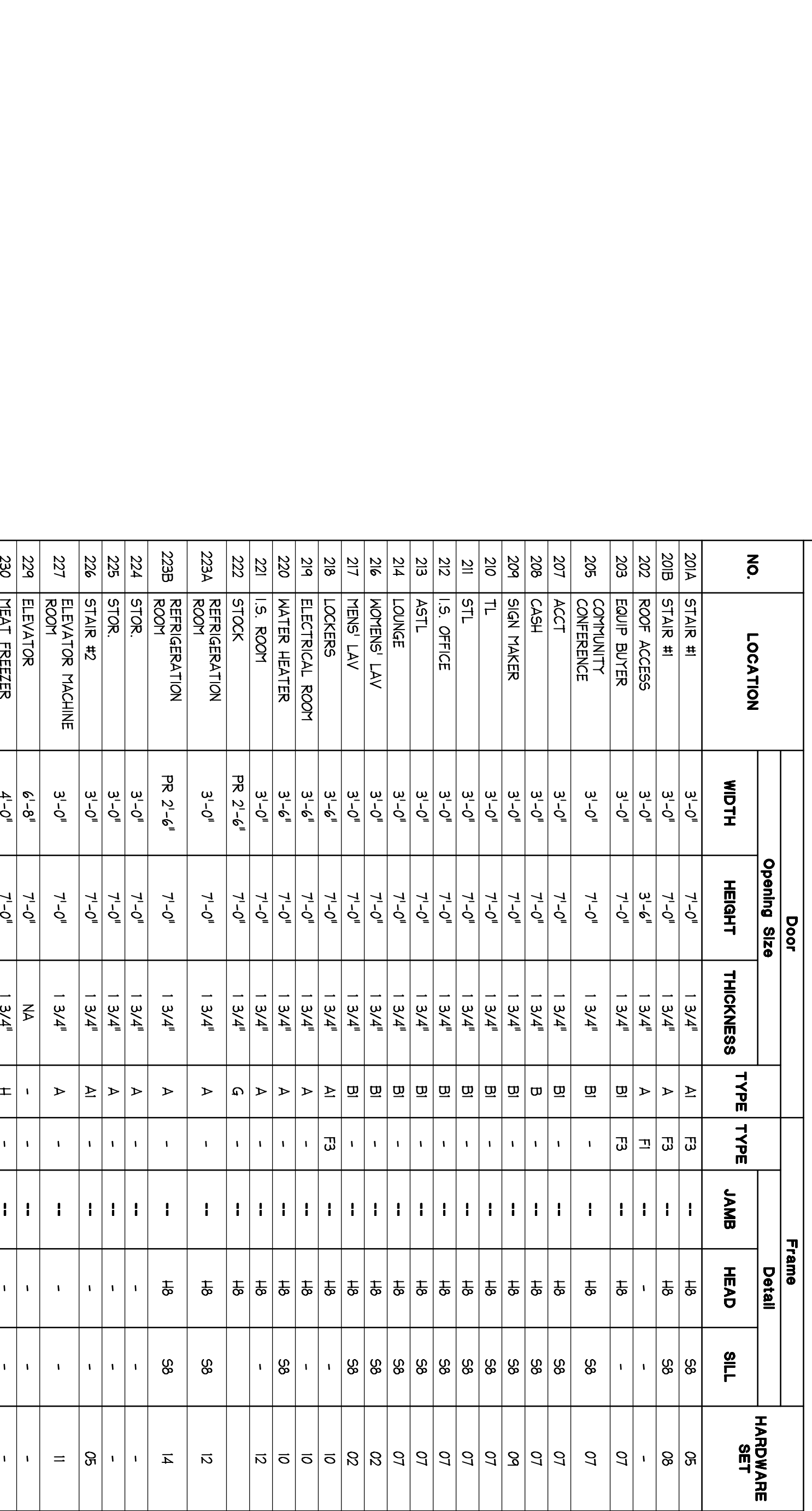
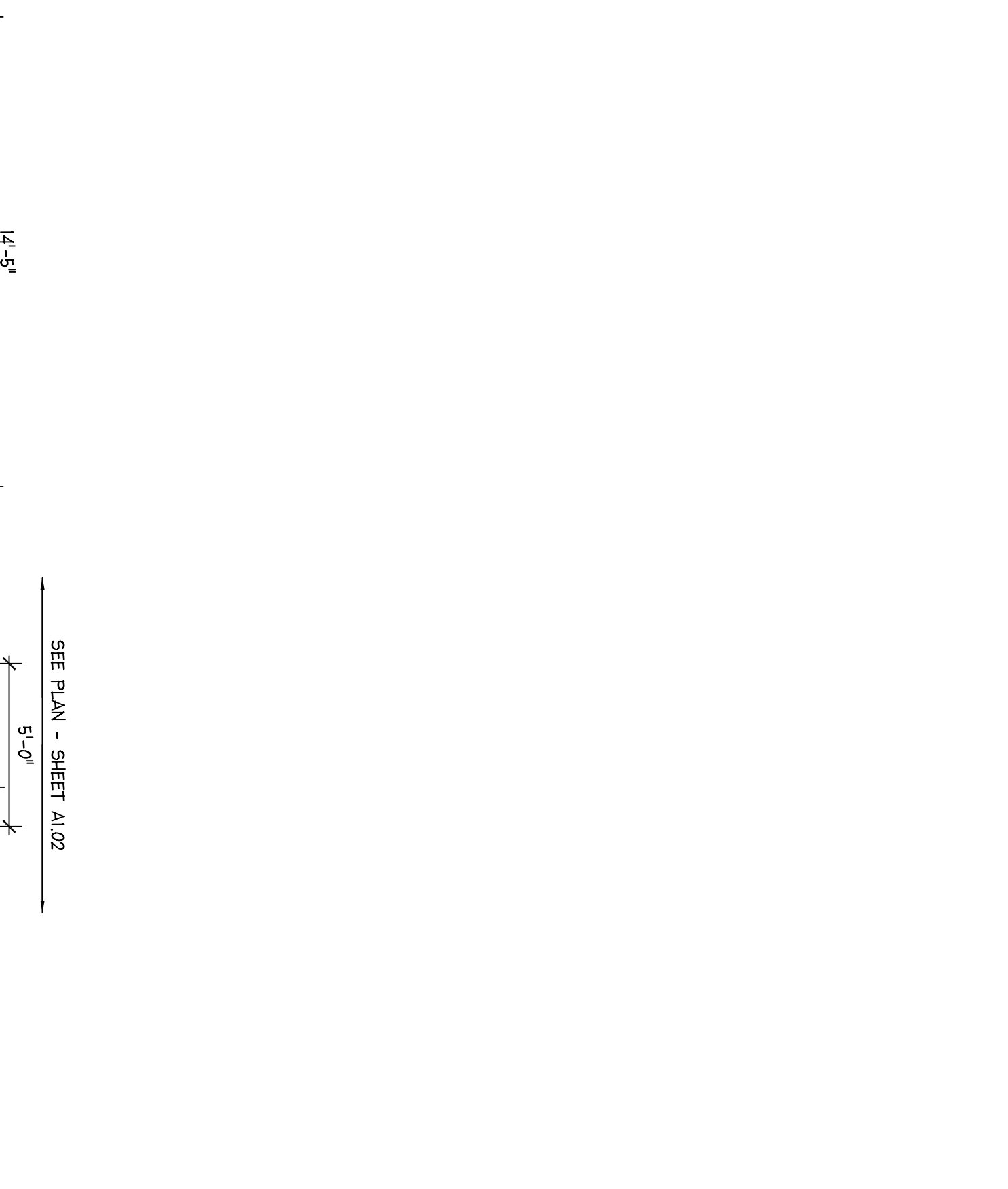
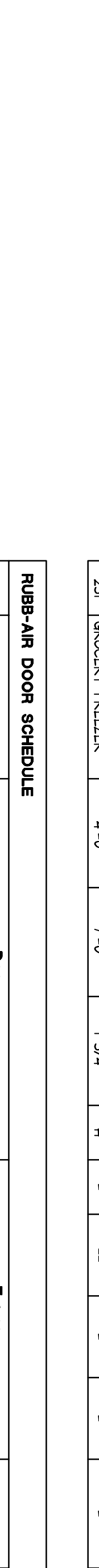
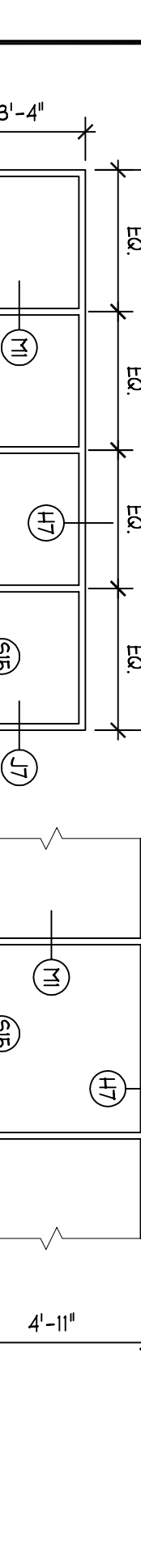
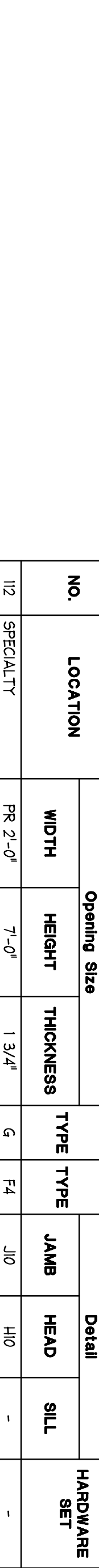
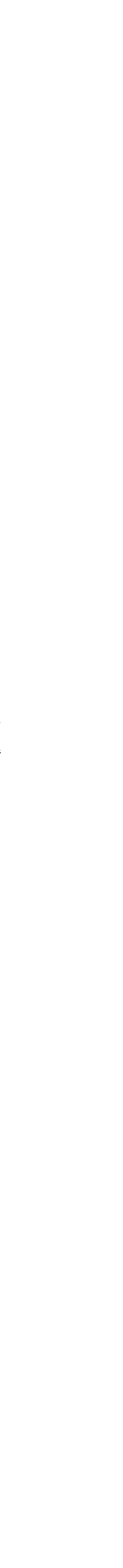
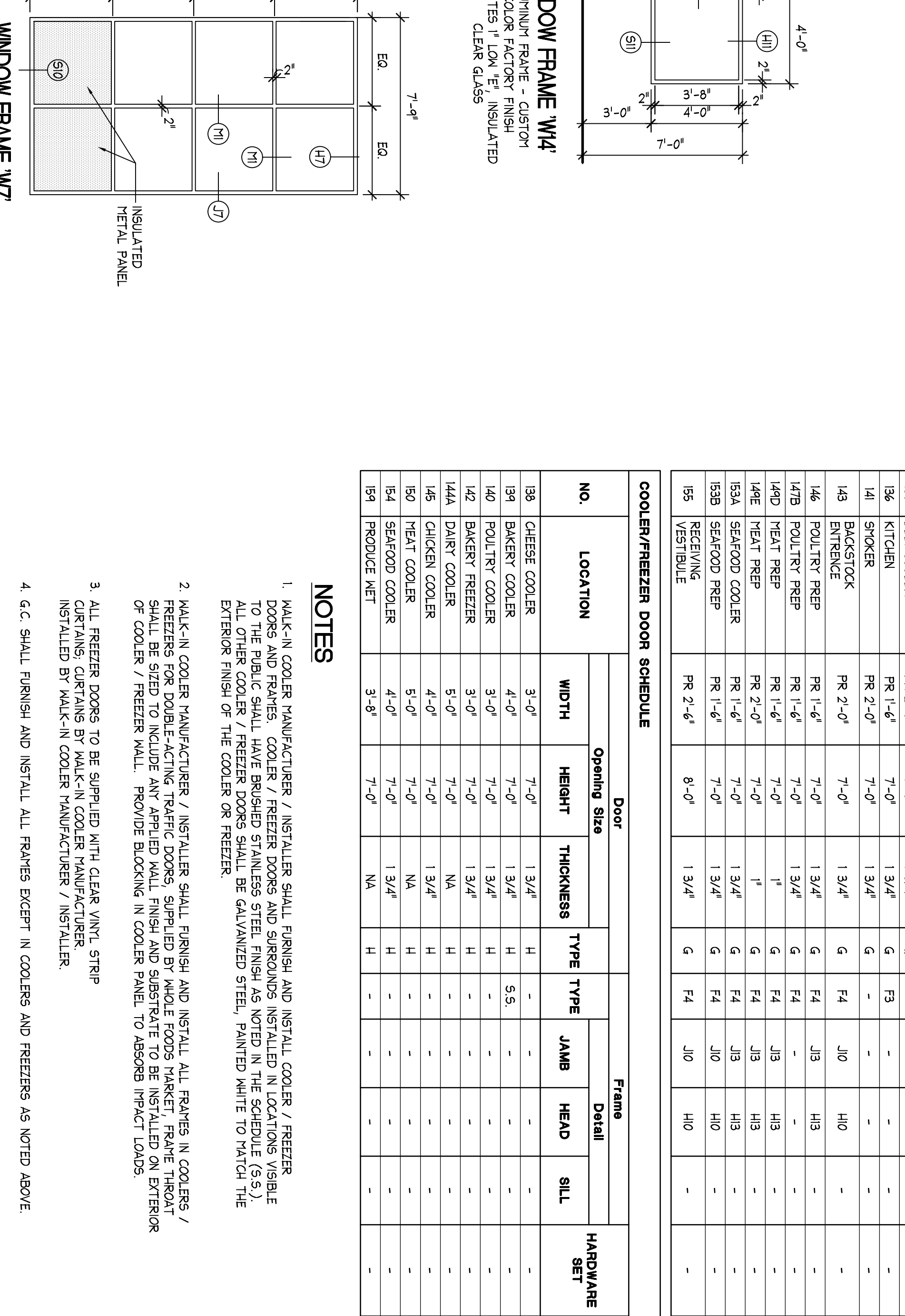
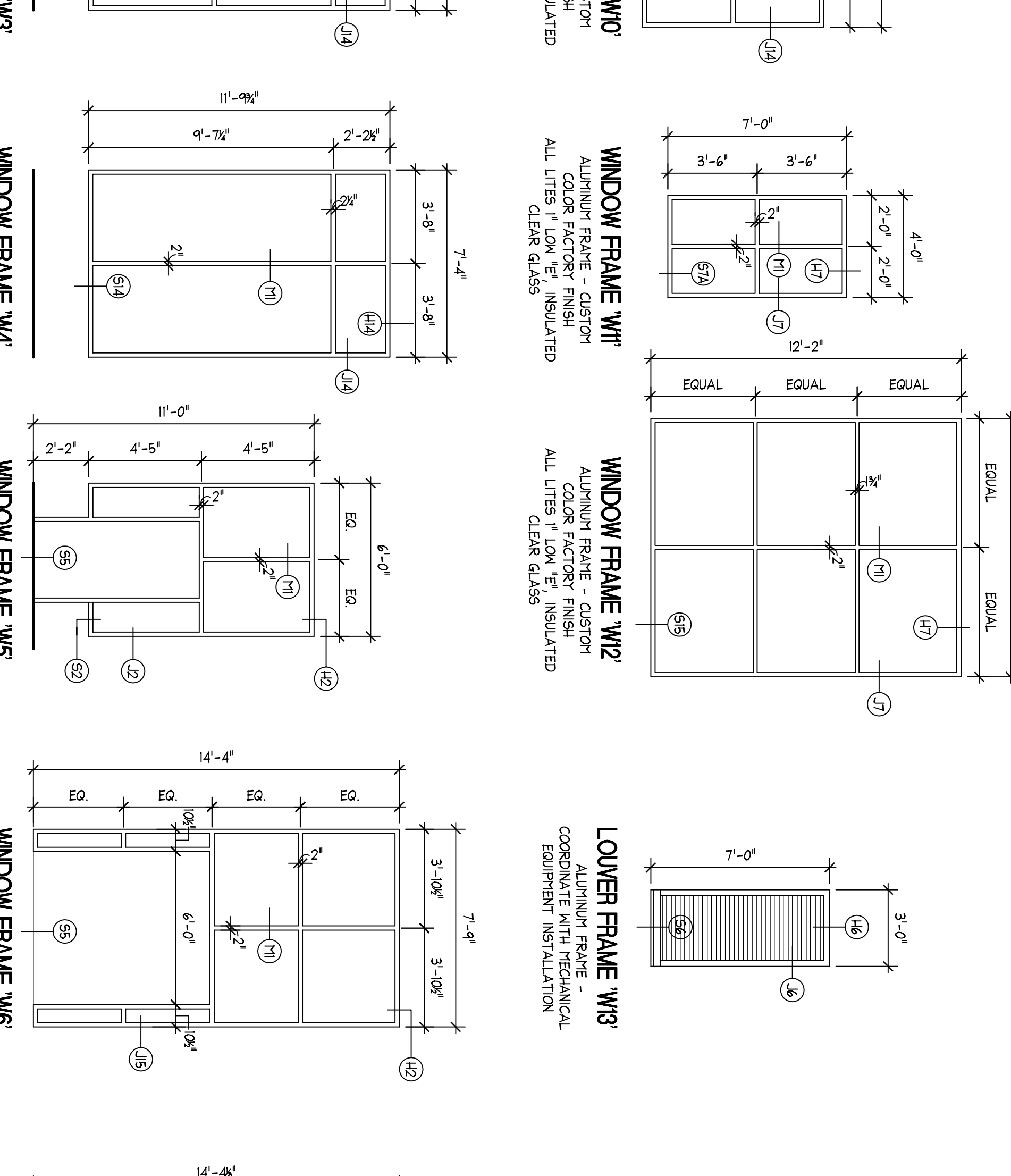
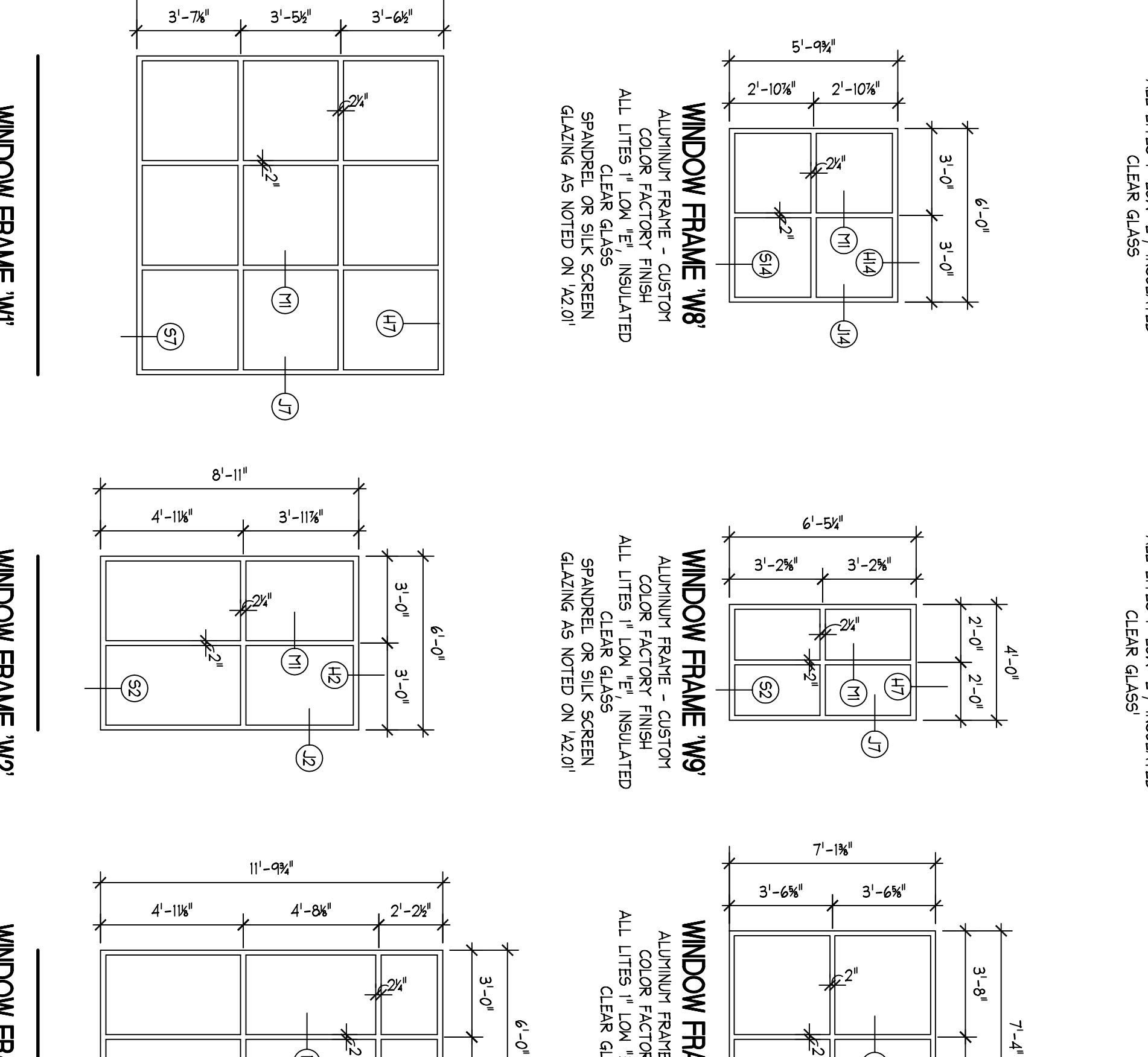
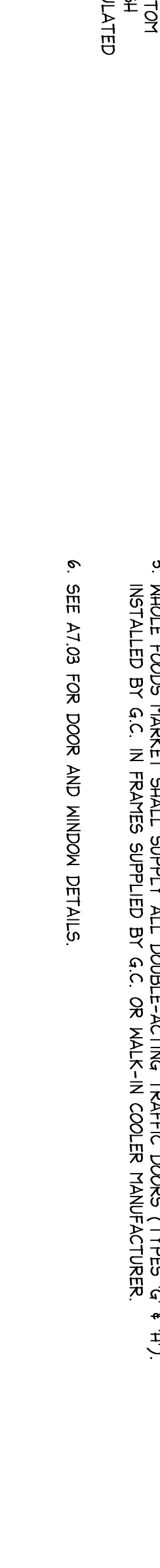
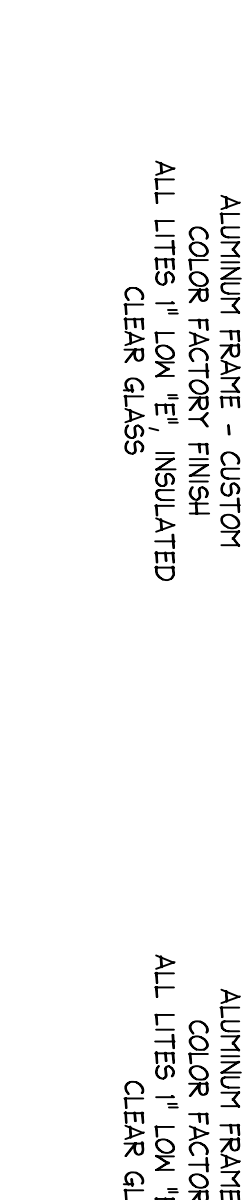
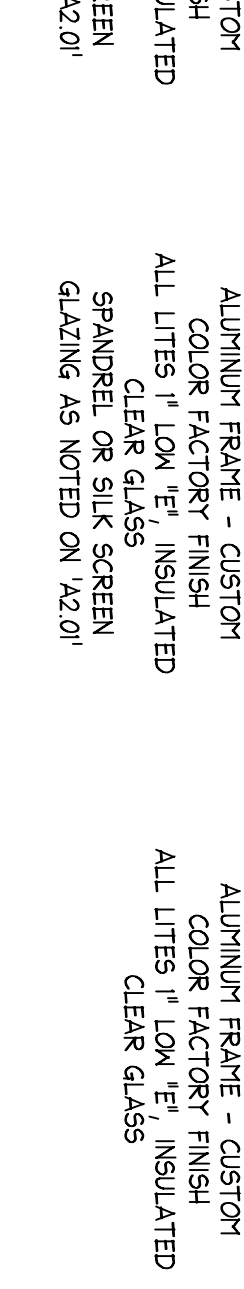
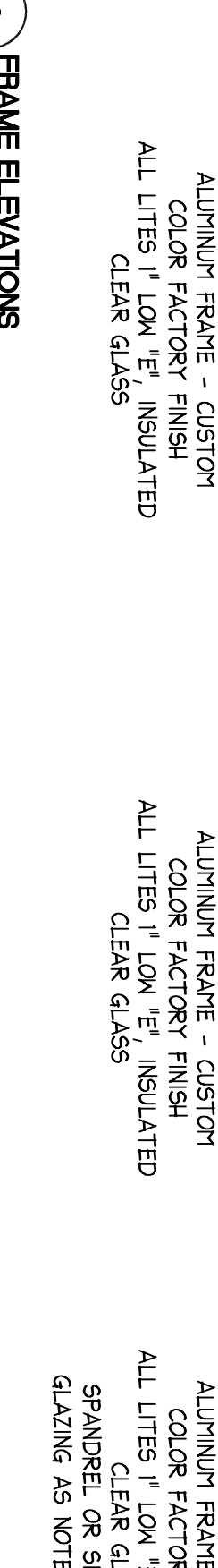


1 DOOR ELEVATIONS



2 FRAME ELEVATIONS



MEZZANINE DOOR SCHEDULE table with columns: NO., LOCATION, WIDTH, HEIGHT, THICKNESS, TYPE, JAMB, HEAD, SILL, HARDWARE SET, FIRE RATING (MINS), CLOSER, WEATHER STRIP, INSUL, REMARKS (CODE REFERENCE NO.).

COOLER/FREEZER DOOR SCHEDULE table with columns: NO., LOCATION, WIDTH, HEIGHT, THICKNESS, TYPE, JAMB, HEAD, SILL, HARDWARE SET, FIRE RATING (MINS), CLOSER, WEATHER STRIP, INSUL, REMARKS (CODE REFERENCE NO.).

MEZZANINE DOOR SCHEDULE table with columns: NO., LOCATION, WIDTH, HEIGHT, THICKNESS, TYPE, JAMB, HEAD, SILL, HARDWARE SET, FIRE RATING (MINS), CLOSER, WEATHER STRIP, INSUL, REMARKS (CODE REFERENCE NO.).

MEZZANINE DOOR SCHEDULE table with columns: NO., LOCATION, WIDTH, HEIGHT, THICKNESS, TYPE, JAMB, HEAD, SILL, HARDWARE SET, FIRE RATING (MINS), CLOSER, WEATHER STRIP, INSUL, REMARKS (CODE REFERENCE NO.).

- NOTES
1. MALKIN COOLERS MANUFACTURER / INSTALLER SHALL FINISH AND INSTALL COOLERS / FREEZERS...
2. MAKE A COPY OF MANUFACTURER'S / INSTALLER'S...
3. ALL FREEZER DOORS TO BE SUPPLIED WITH CLEAR VINYL STRIP...
4. G.C. SHALL FINISH AND INSTALL ALL FRAMES...
5. WOOD DOOR...
6. SEE A7.09 FOR DOOR AND WINDOW DETAILS.