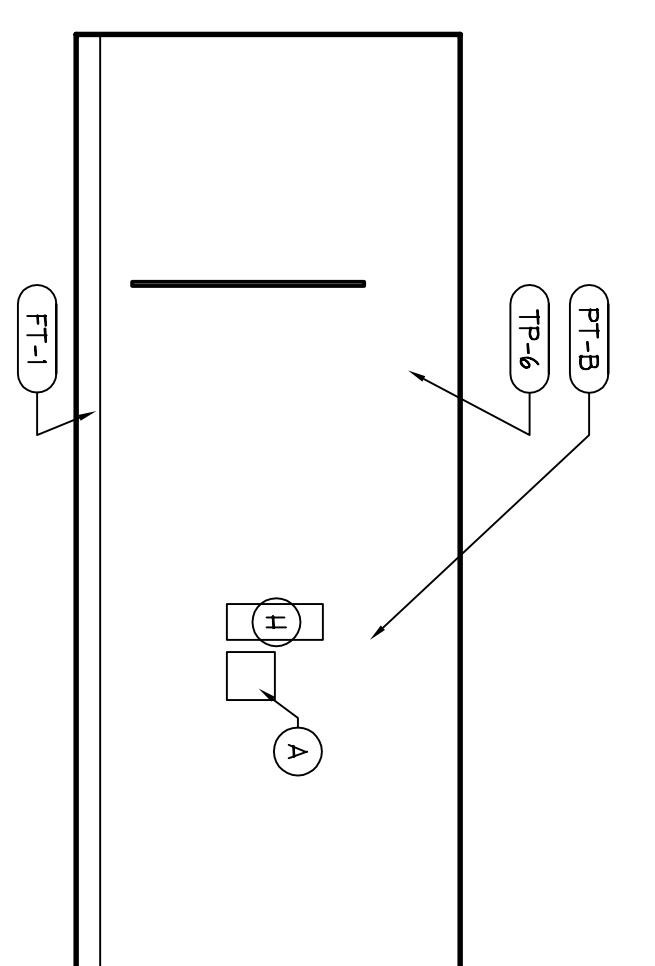
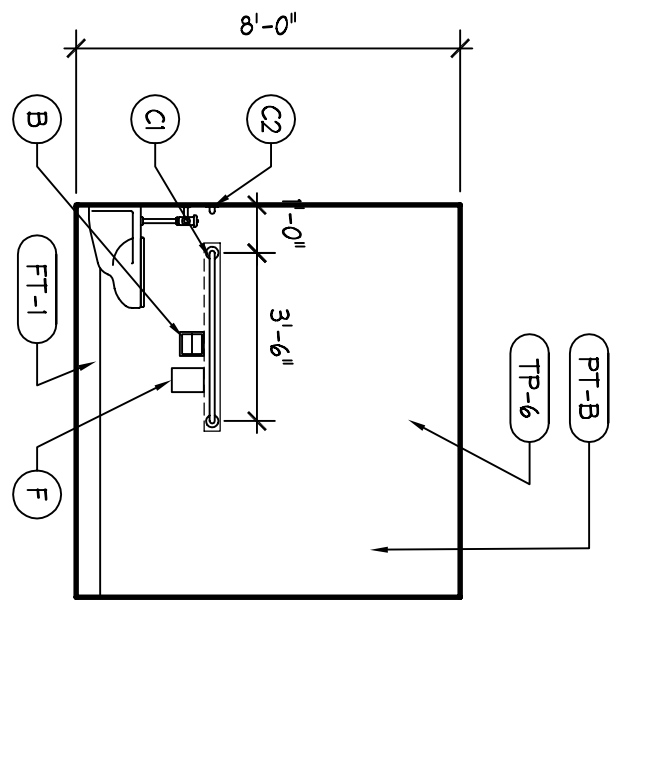


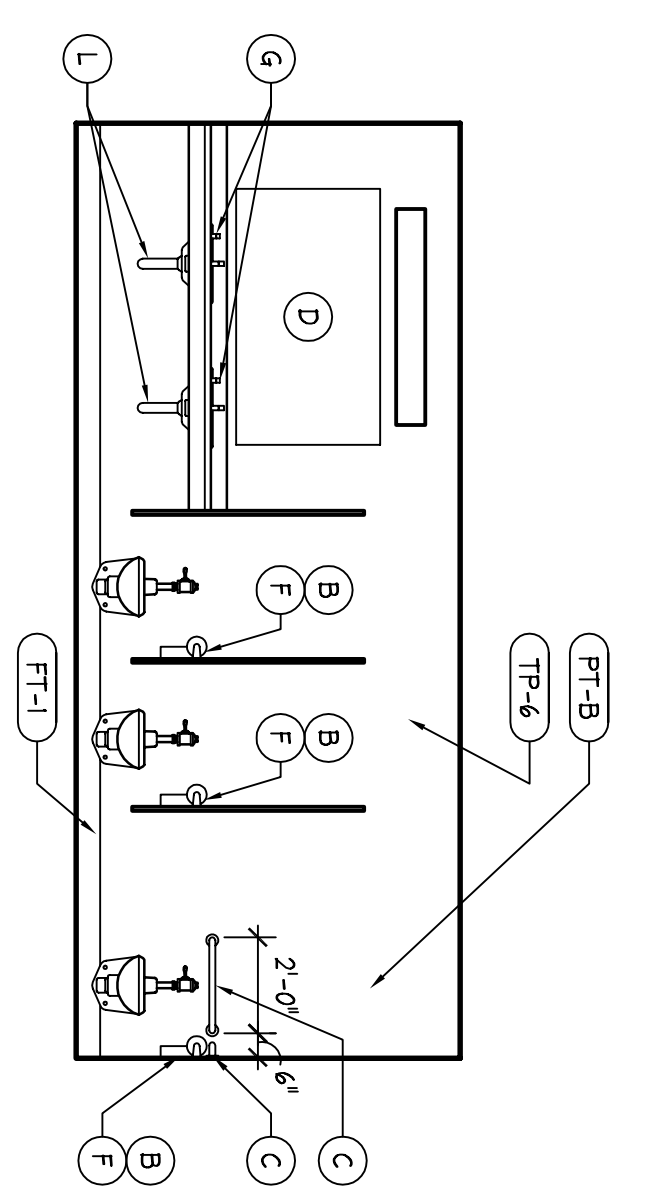
THIS DRAWING SHALL NOT BE UTILIZED BY ANY PERSON, FIRM OR CORPORATION WITHOUT THE SPECIFIC WRITTEN PERMISSION OF THE COMPANY.



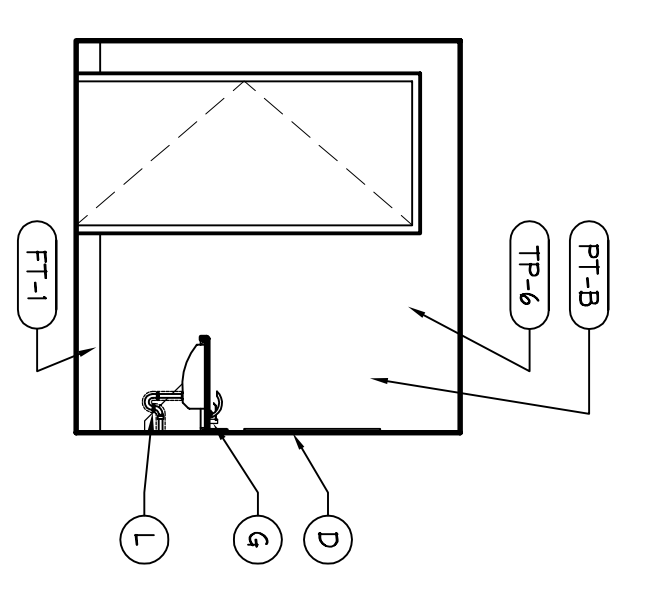
3 INTERIOR ELEVATION - WEST (28) WOMEN
1/4" = 1'-0"



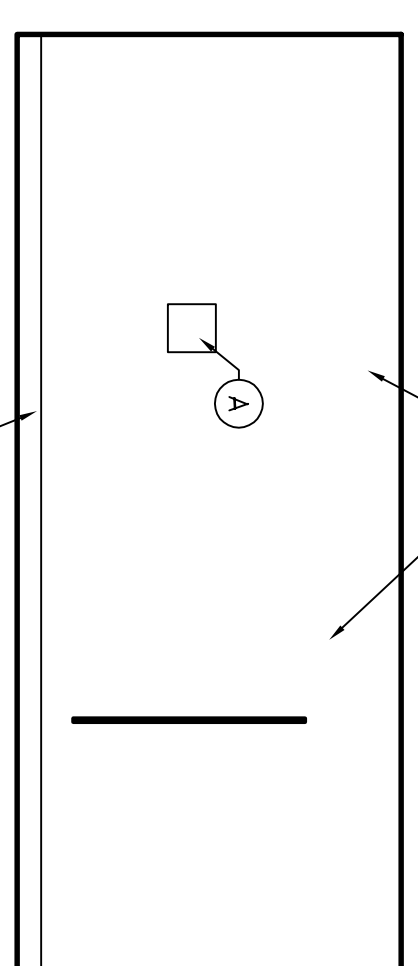
4 INTERIOR ELEVATION - SOUTH (28) WOMEN
1/4" = 1'-0"



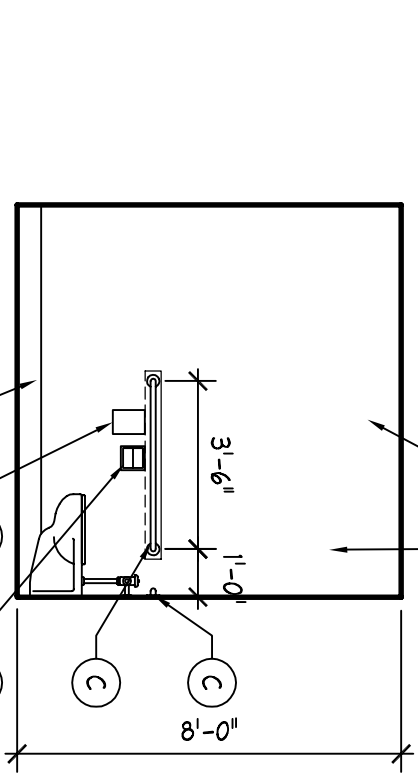
5 INTERIOR ELEVATION - EAST (28) WOMEN
1/4" = 1'-0"



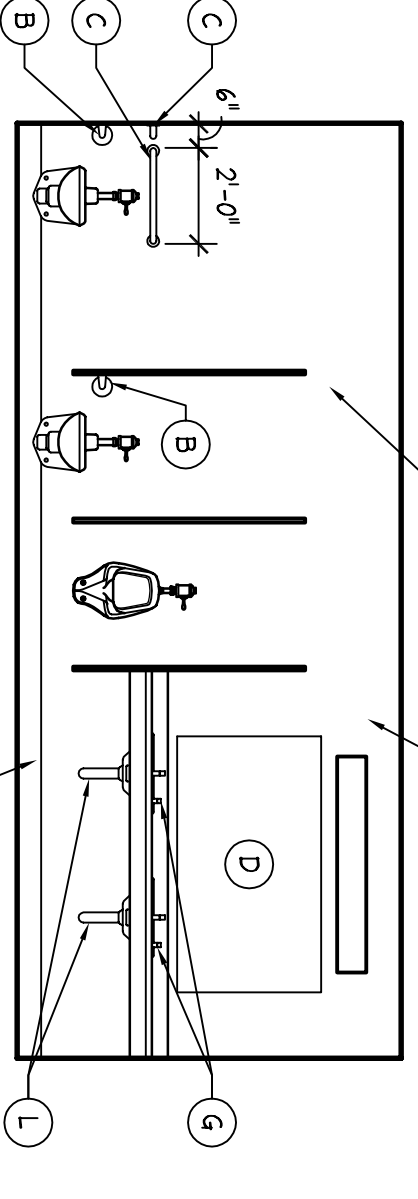
6 INTERIOR ELEVATION - NORTH (28) WOMEN
1/4" = 1'-0"



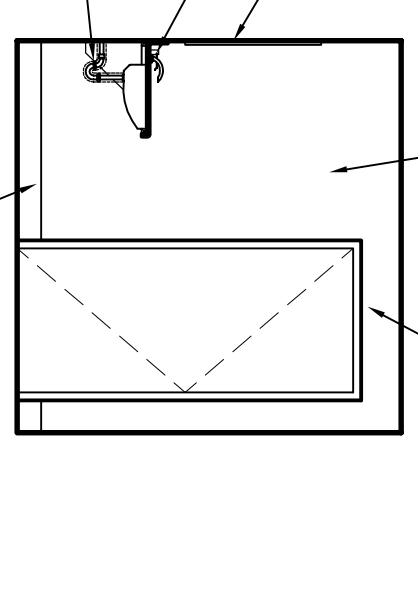
7 INTERIOR ELEVATION - WEST (27) MEN
1/4" = 1'-0"



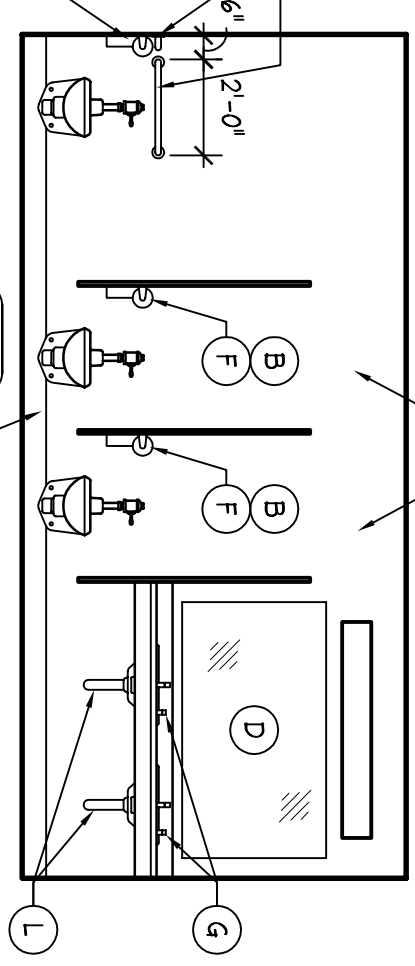
8 INTERIOR ELEVATION - SOUTH (27) MEN
1/4" = 1'-0"



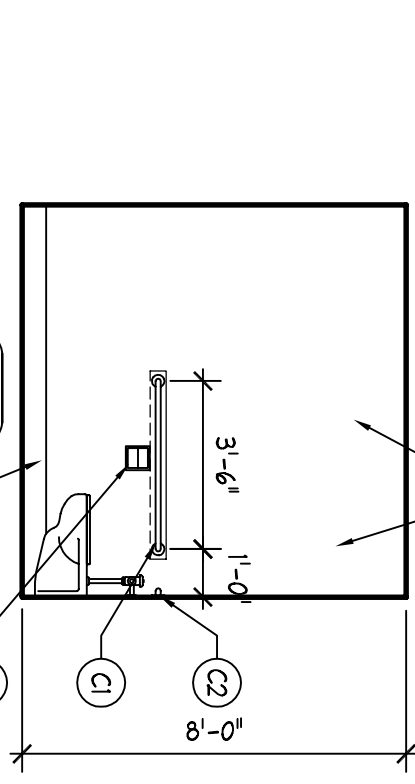
9 INTERIOR ELEVATION - WEST (27) MEN
1/4" = 1'-0"



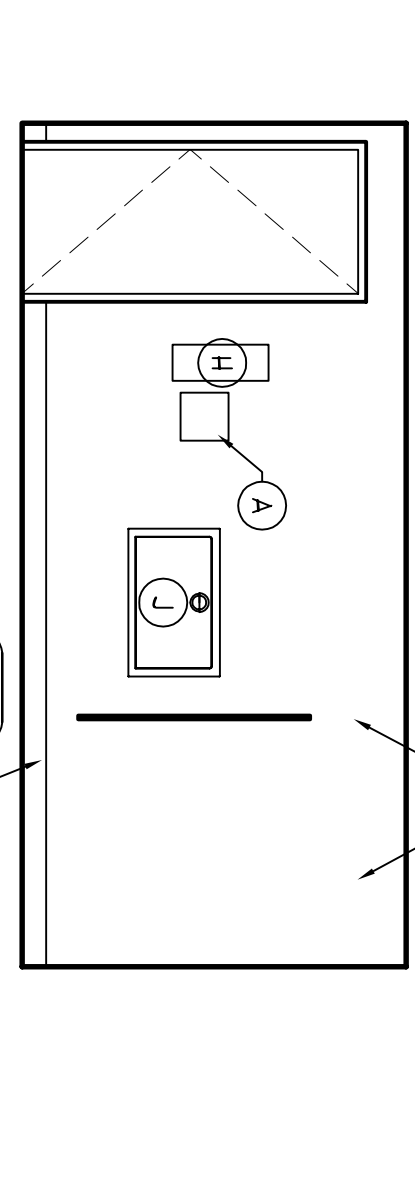
10 INTERIOR ELEVATION - NORTH (27) MEN
1/4" = 1'-0"



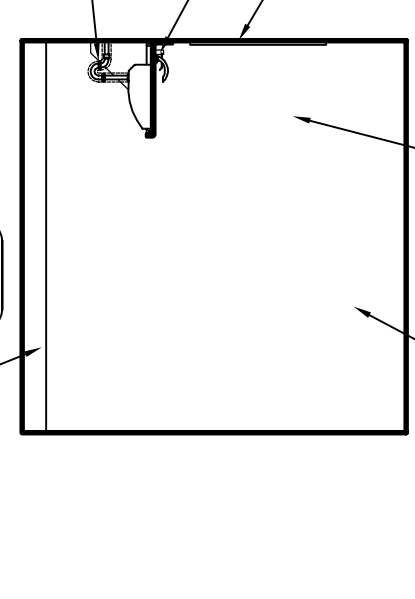
11 INTERIOR ELEVATION - WEST (28) WOMEN
1/4" = 1'-0"



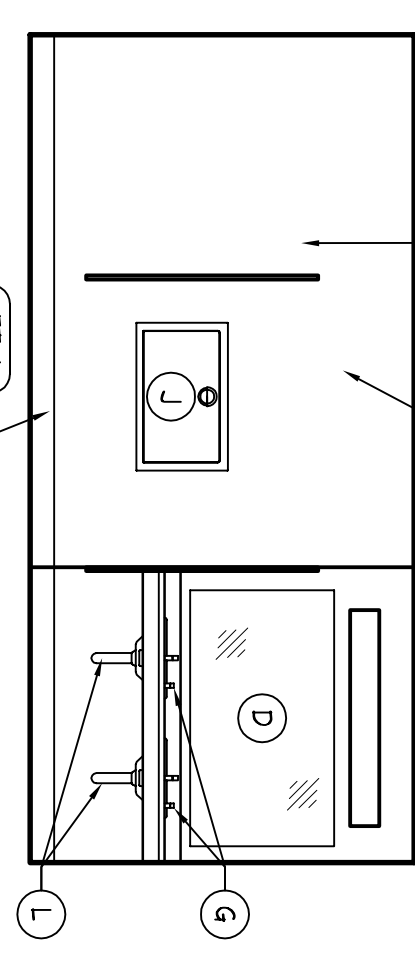
12 INTERIOR ELEVATION - SOUTH (28) WOMEN
1/4" = 1'-0"



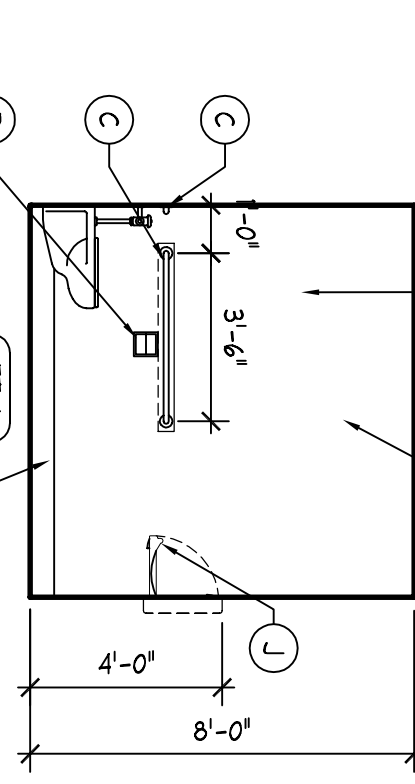
13 INTERIOR ELEVATION - EAST (28) WOMEN
1/4" = 1'-0"



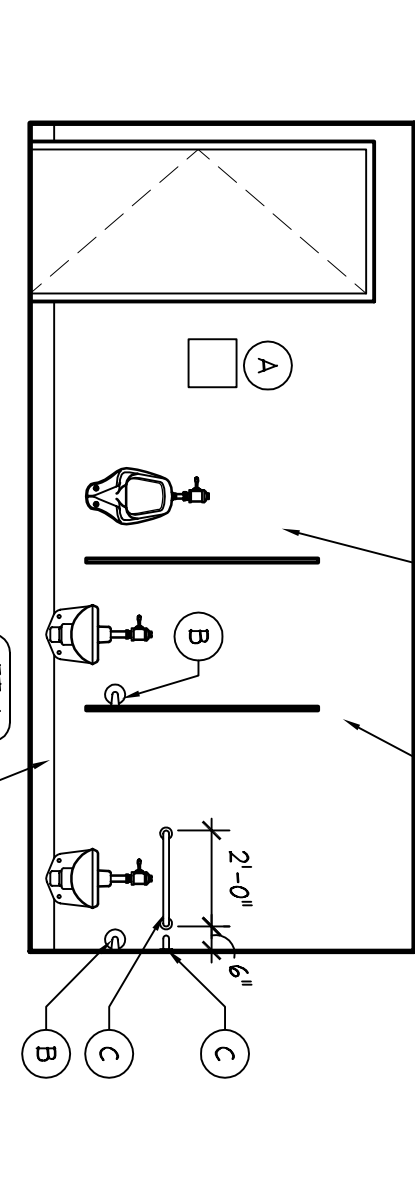
14 INTERIOR ELEVATION - NORTH (28) WOMEN
1/4" = 1'-0"



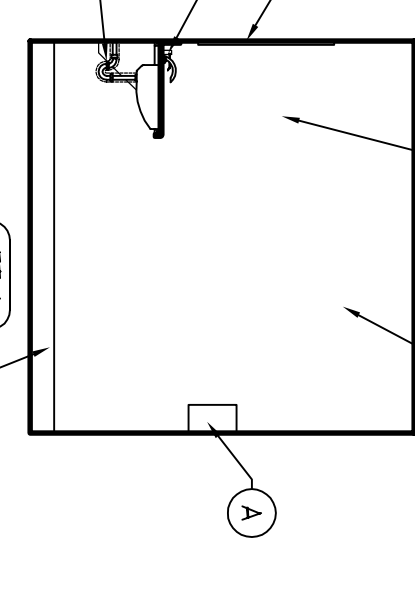
15 INTERIOR ELEVATION - NORTH (28) MEN
1/4" = 1'-0"



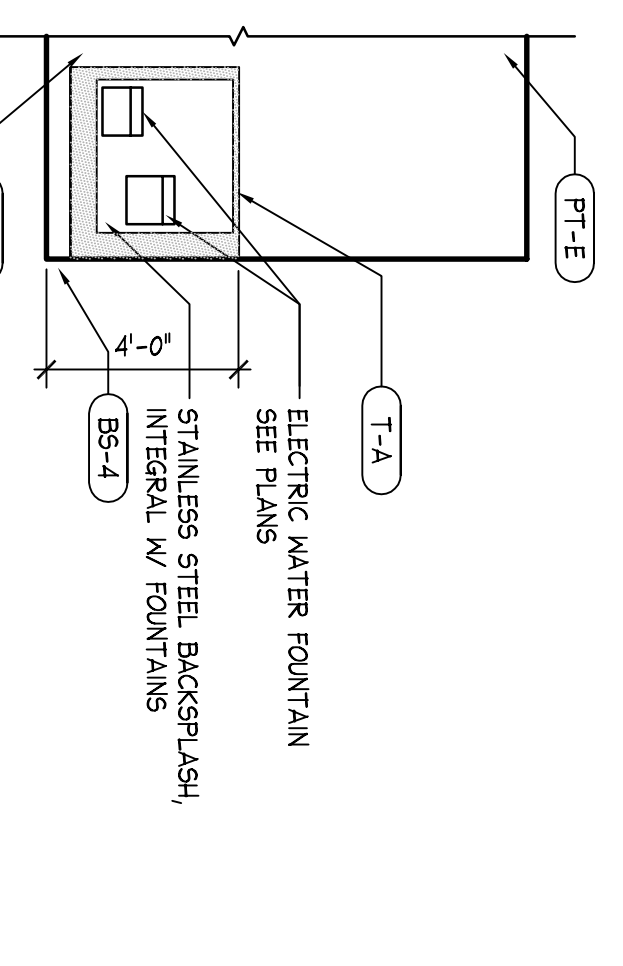
16 INTERIOR ELEVATION - WEST (28) MEN
1/4" = 1'-0"



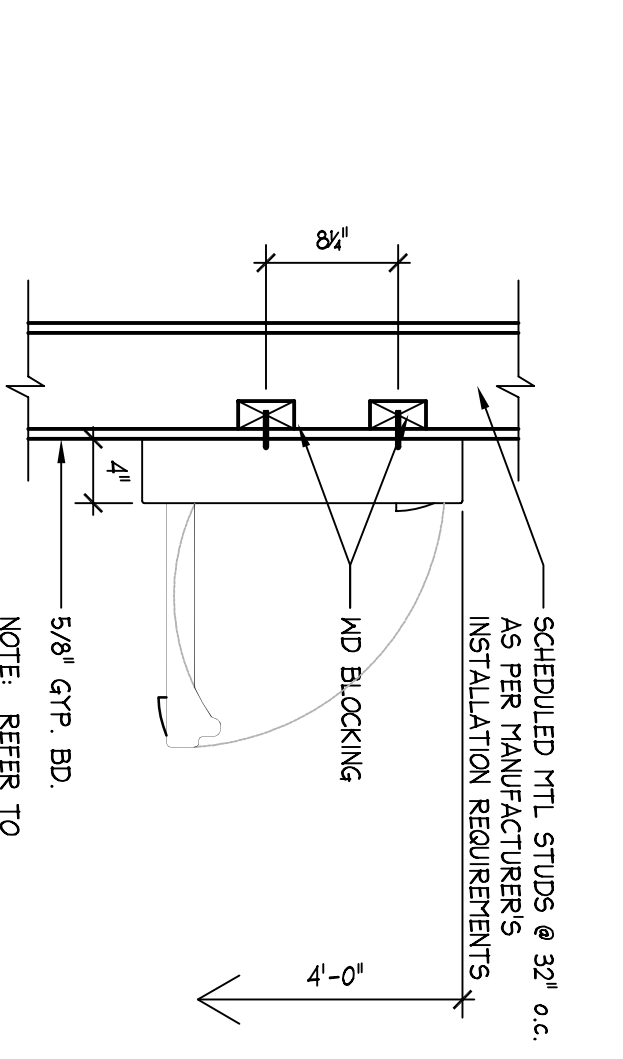
17 INTERIOR ELEVATION - SOUTH (28) MEN
1/4" = 1'-0"



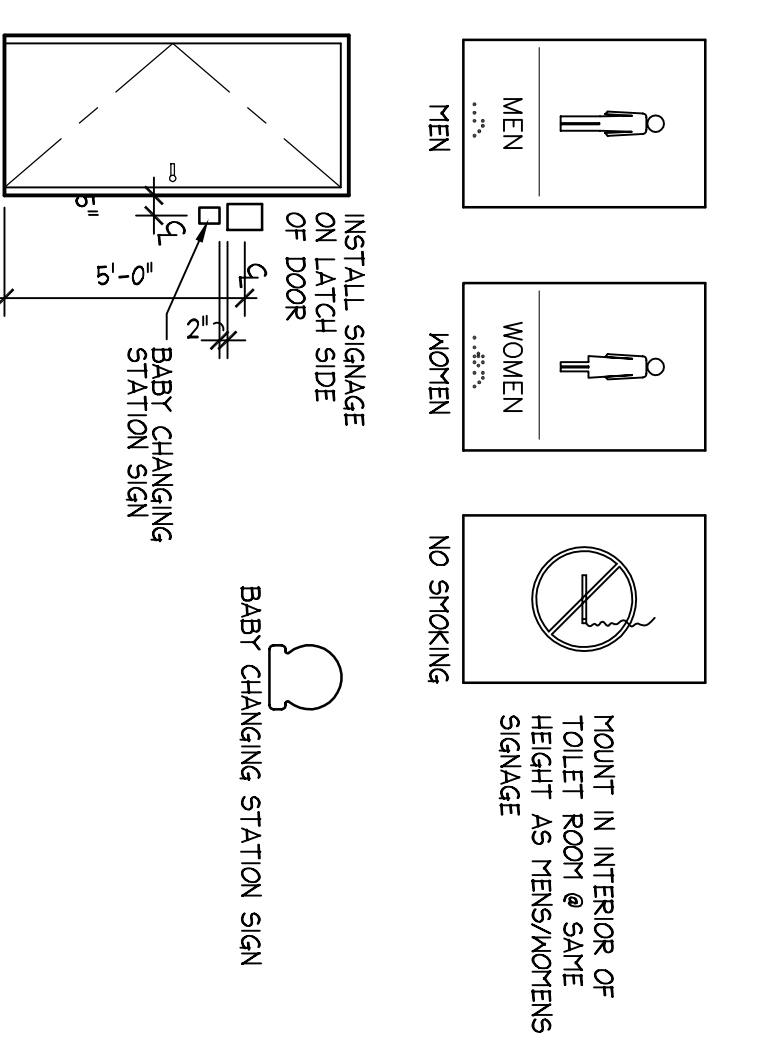
18 INTERIOR ELEVATION - EAST (28) MEN
1/4" = 1'-0"



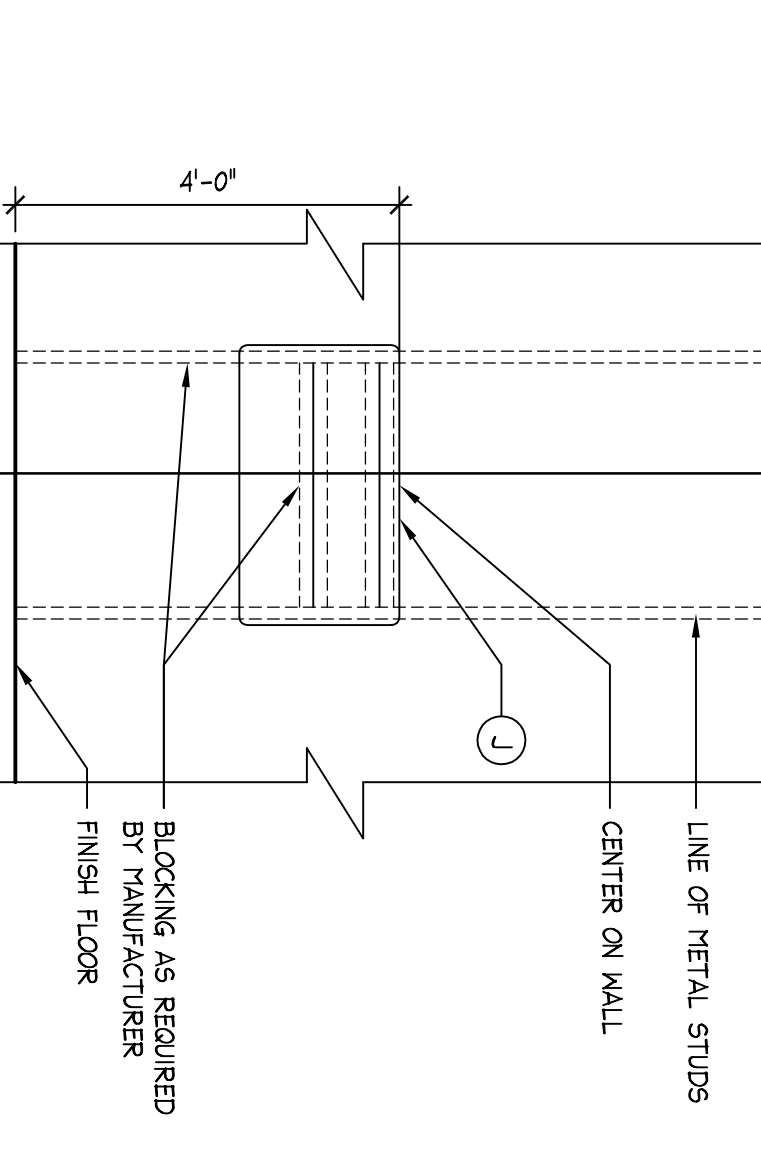
19 ELEVATION - WATER FOUNTAIN



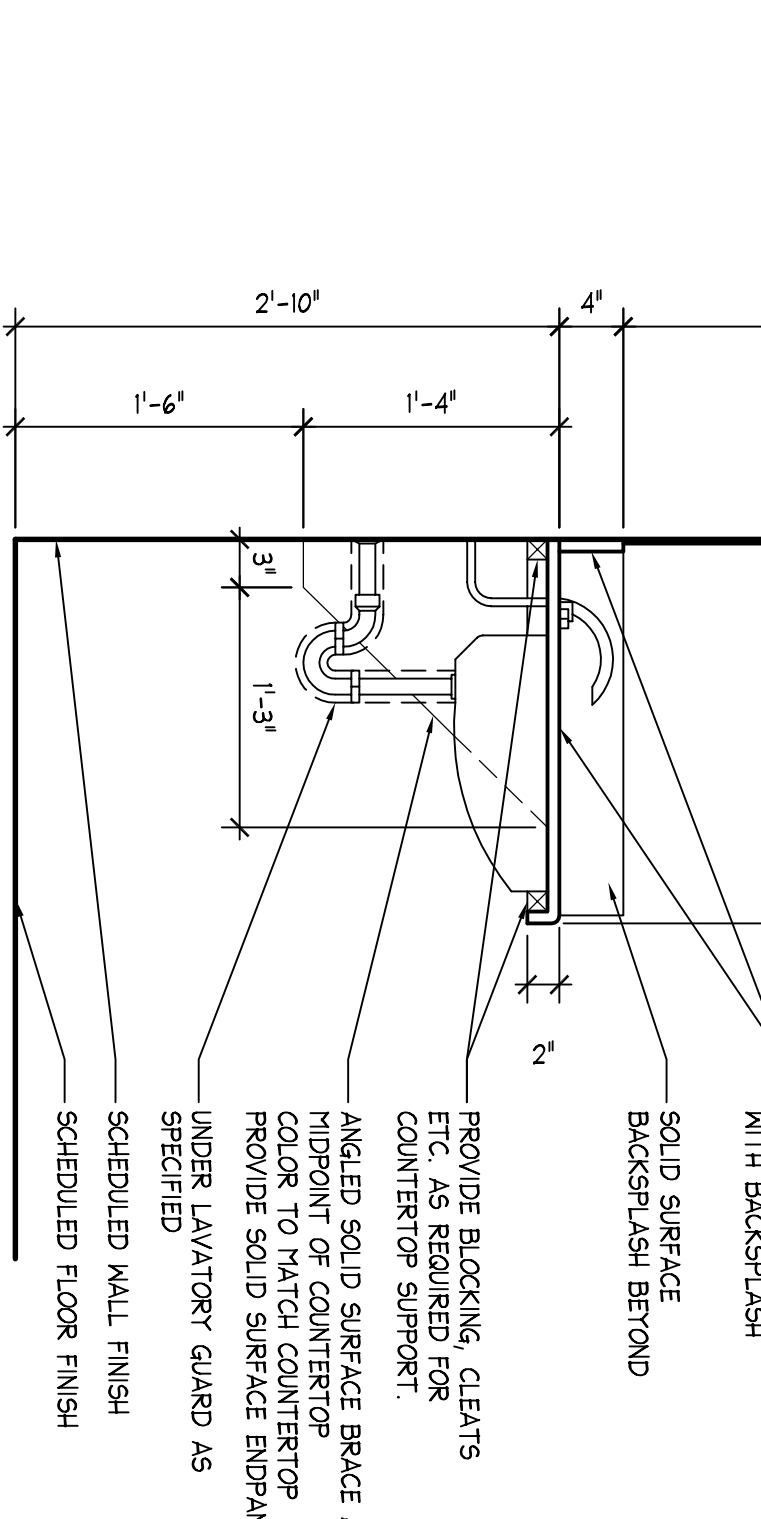
20 SECTION AT BABY CHANGING TABLE



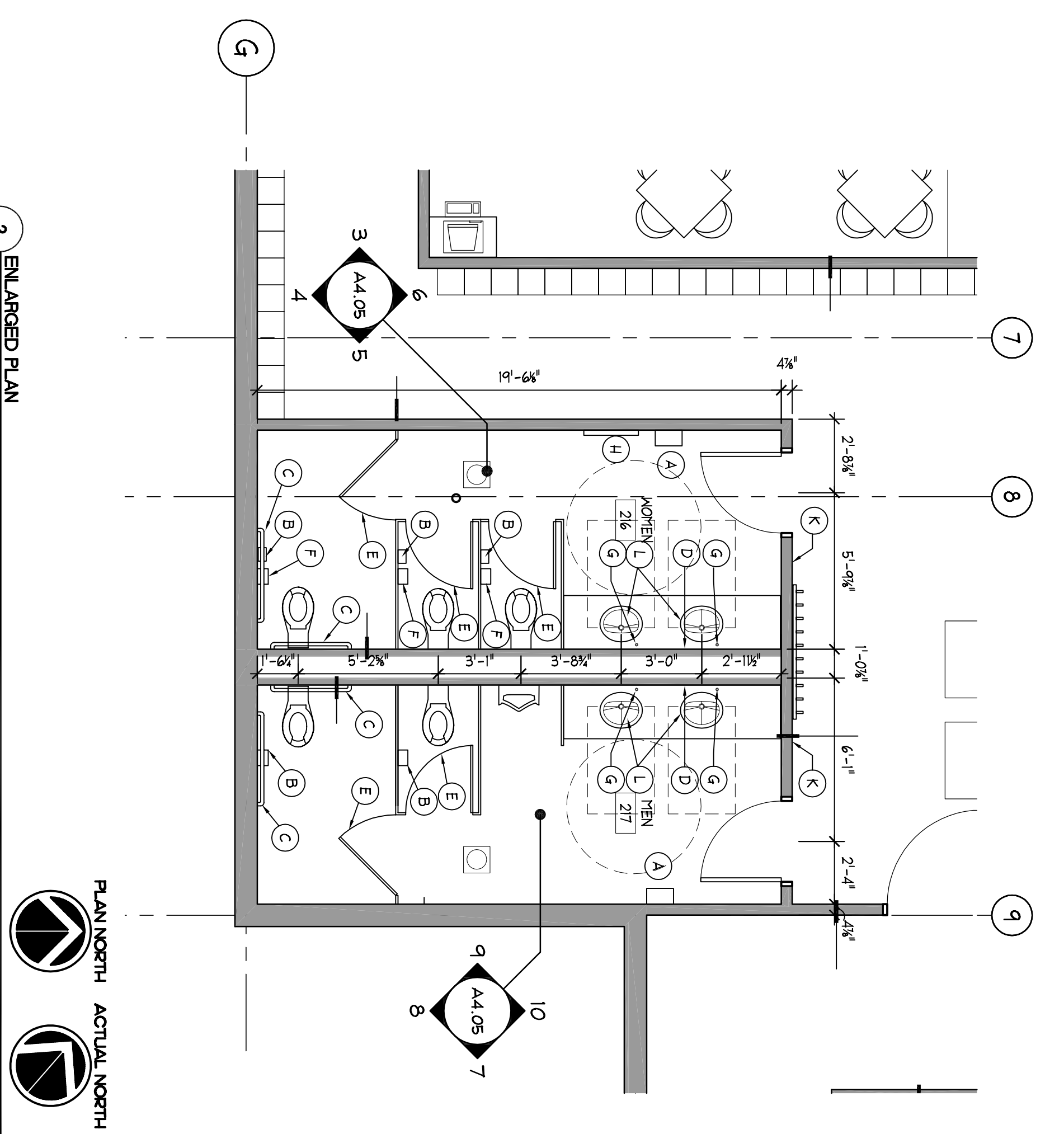
21 TOILET ROOM SIGNAGE



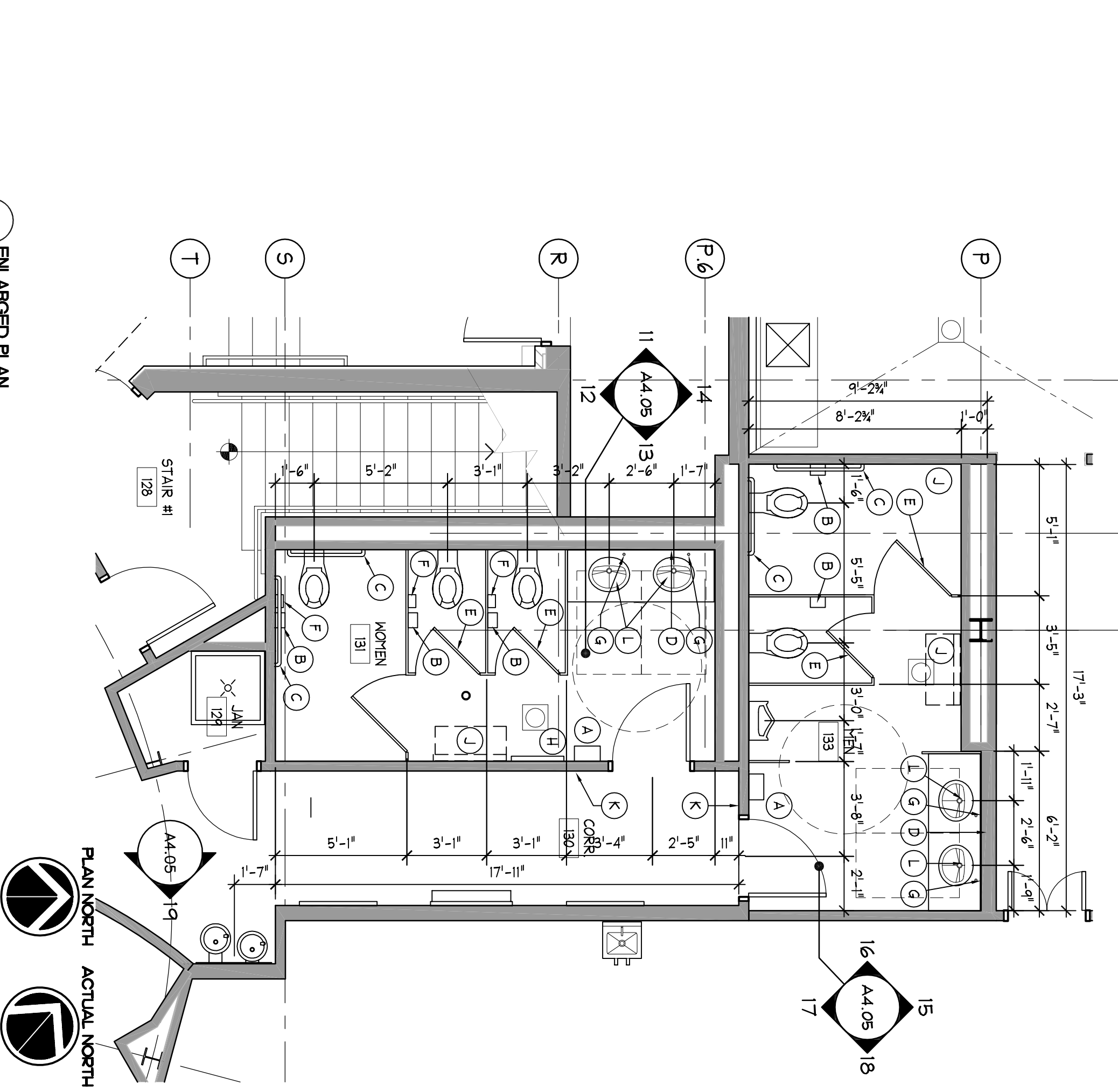
22 ELEVATION - BABY CHANGING TABLE



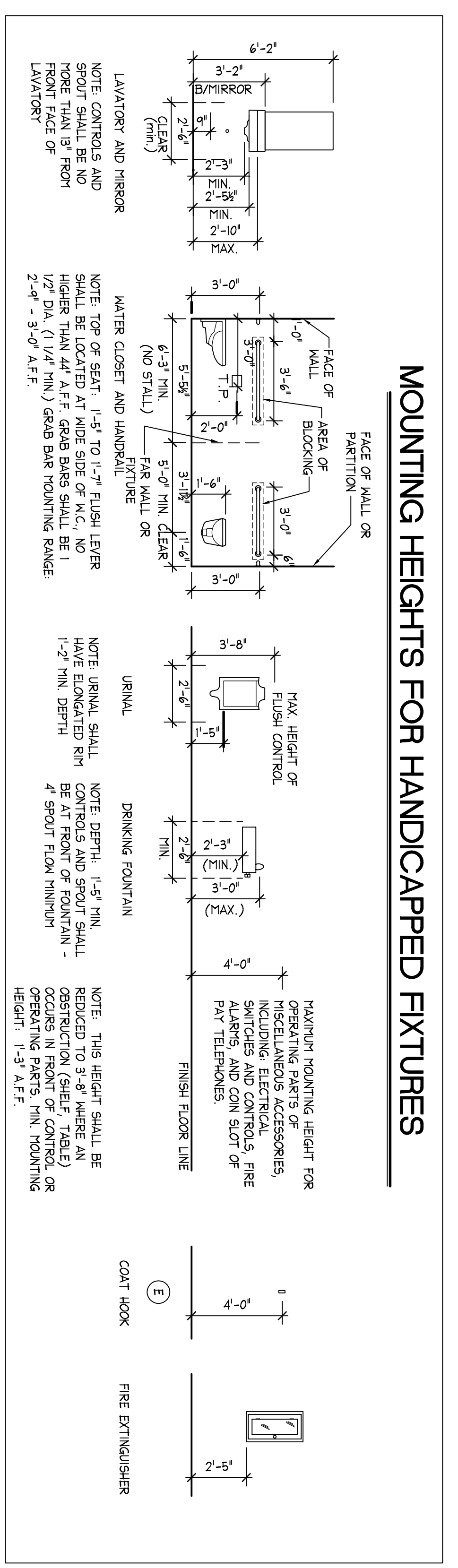
23 SECTION AT LAVATORY



2 ENLARGED PLAN
1/4" = 1'-0"



1 BALANCED PLAN
1/4" = 1'-0"



MOUNTING HEIGHTS FOR HANDICAPPED FIXTURES

KEY NOTES

- 1) ELECTRIC HAND DRYER
- 2) TOILET TISSUE DISPENSER (SEE NOTE 1)
- 3) GRAB BARS (LENGTH SHOWN)
- 4) HINGERS
- 5) COAT HOOK (TOILET PARTITION)
- 6) FEMININE MARKIN DISPOSAL
- 7) LIQUID SOAP DISPENSER (SEE NOTE 1)
- 8) MARKIN / TAMPON VENDOR
- 9) BABY CHANGING TABLE
- 10) SINKAGE
- 11) UNDER LAVATORY GUARD

- NOTES
1. FINISHED BY OWNER AND INSTALLED BY G.C.
 2. PROVIDE BLOCKING AS NEEDED.
 3. SEE DRAWING A1.01 FOR FINISHES AND TILE PATTERNS.