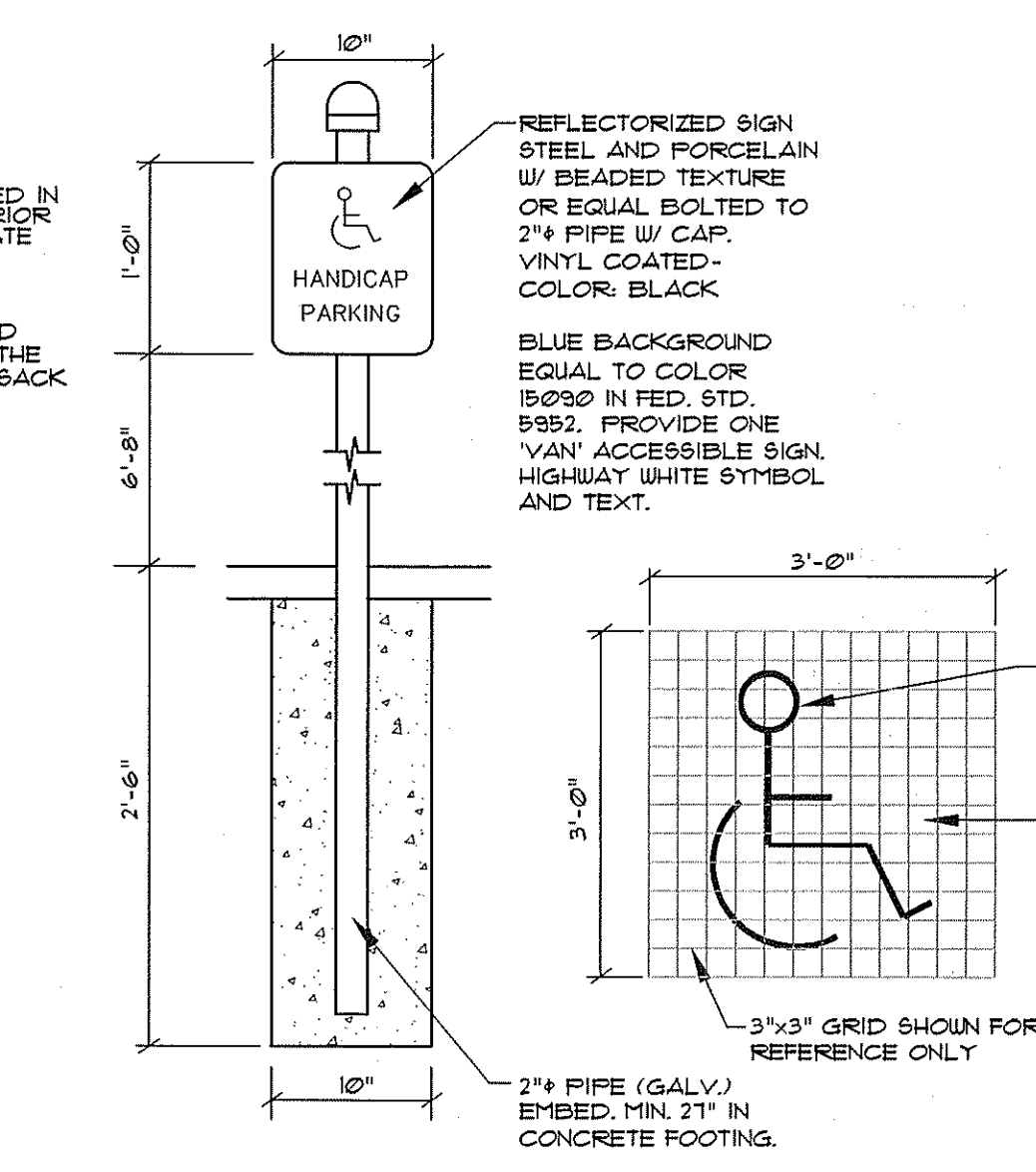
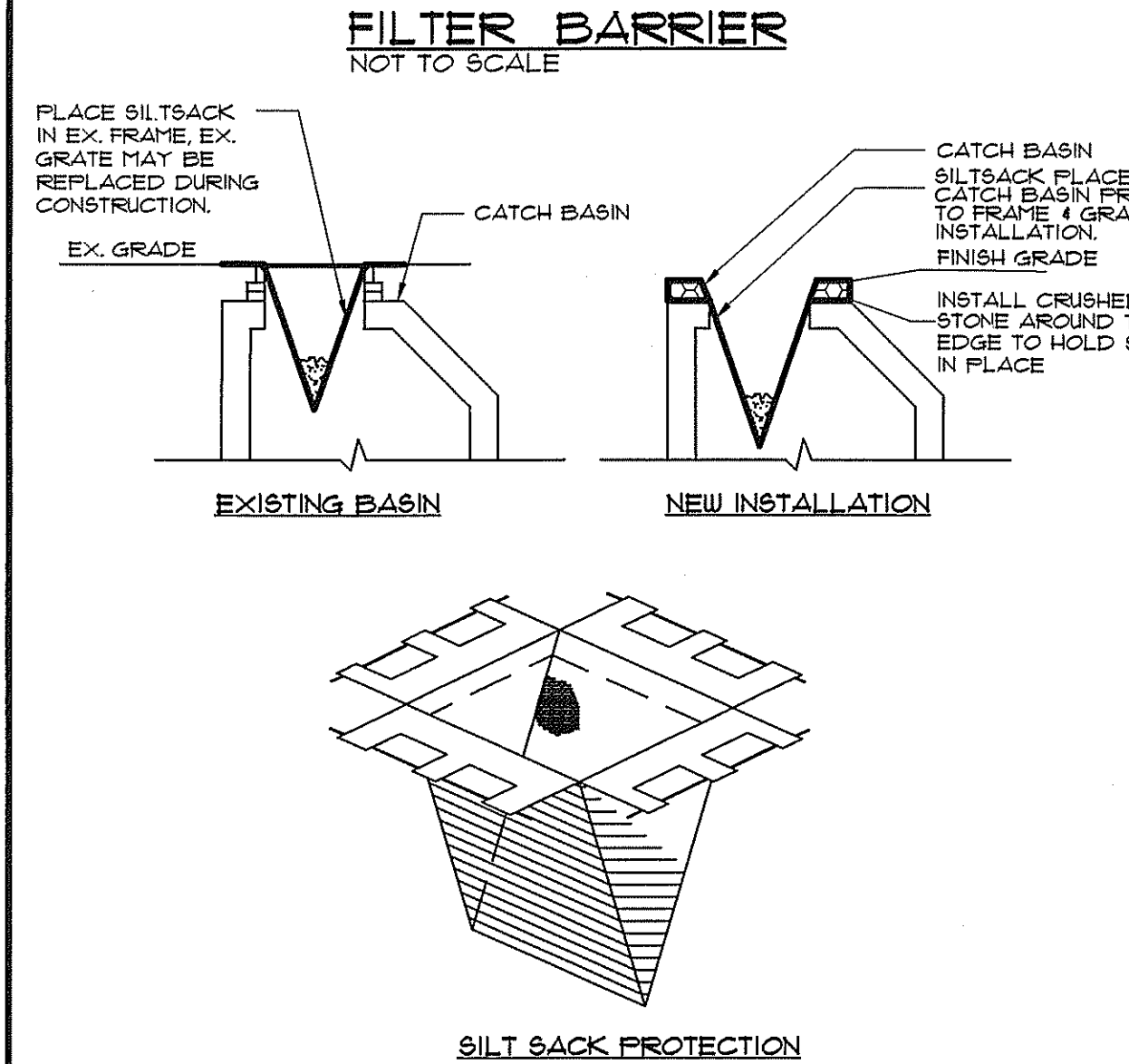


INSTALLATION:
 1. EXCAVATE A 6" x 6" TRENCH ALONG THE LINE OF PLACEMENT FOR THE FILTER BARRIER
 2. UNROLL A SECTION AT A TIME AND POSITION THE POSTS AGAINST THE BACK (DOWNSTREAM) WALL OF THE TRENCH
 3. DRIVE POSTS INTO THE GROUND UNTIL APPROXIMATELY 2" OF FABRIC IS LYING ON THE TRENCH BOTTOM
 4. LAY THE TOE-IN FLAP OF FABRIC ONTO THE UNDISTURBED BOTTOM OF THE TRENCH. BACKFILL THE TRENCH AND TAMPE THE SOIL. TOE-IN CAN ALSO BE ACCOMPLISHED BY LAYING THE FABRIC FLAP ON UNDISTURBED GROUND AND PILING AND TAMPING FILL AT THE BASE, BUT MUST BE ACCOMPANIED BY AN INTERCEPTION DITCH.
 5. JOIN SECTION AS SHOWN ABOVE.
 6. BARRIER SHALL BE MIRAFI SILT FENCE OR EQUAL.

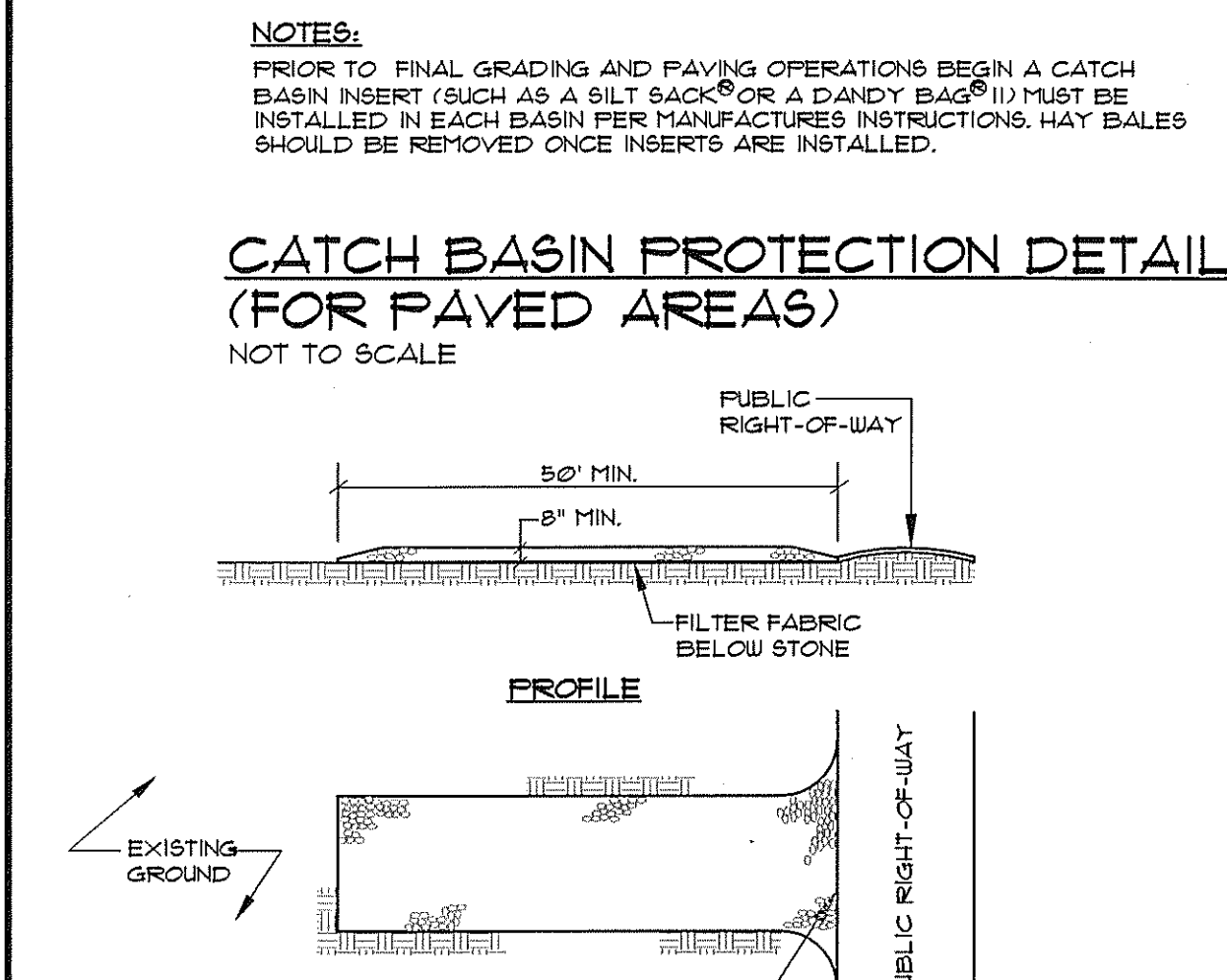
METAL BOLLARD
NOT TO SCALE



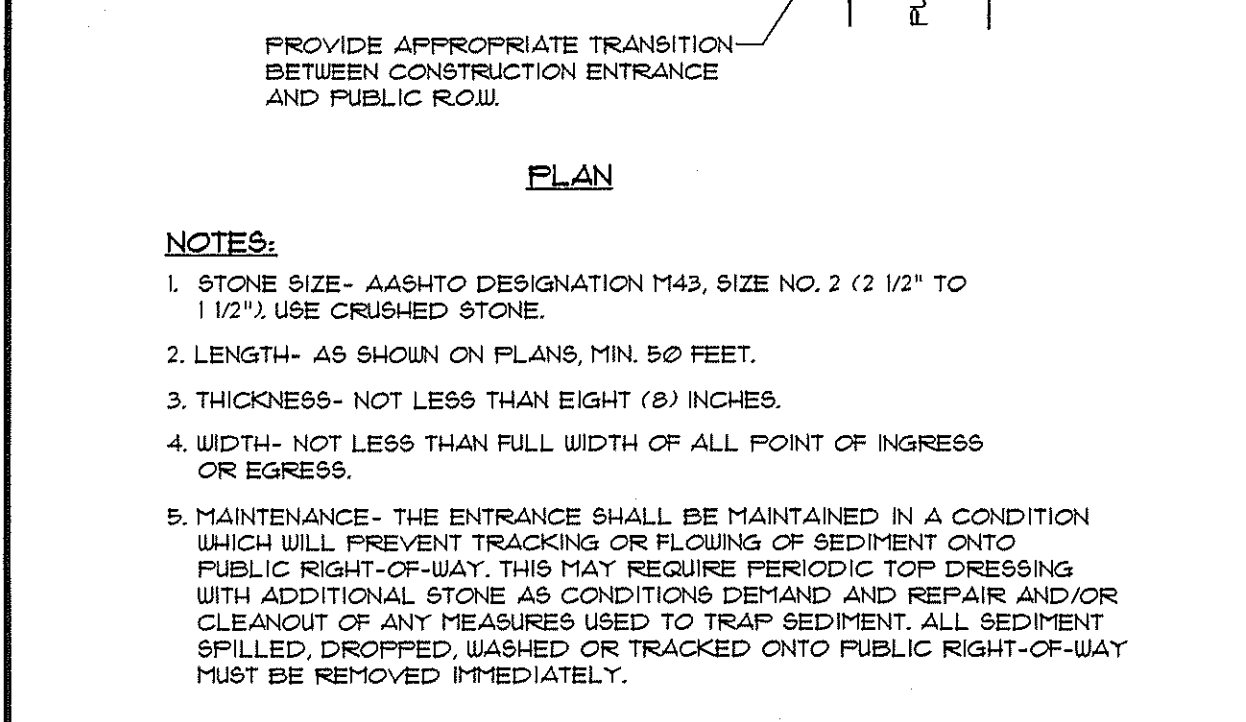
HANDICAP SIGNS
NOT TO SCALE



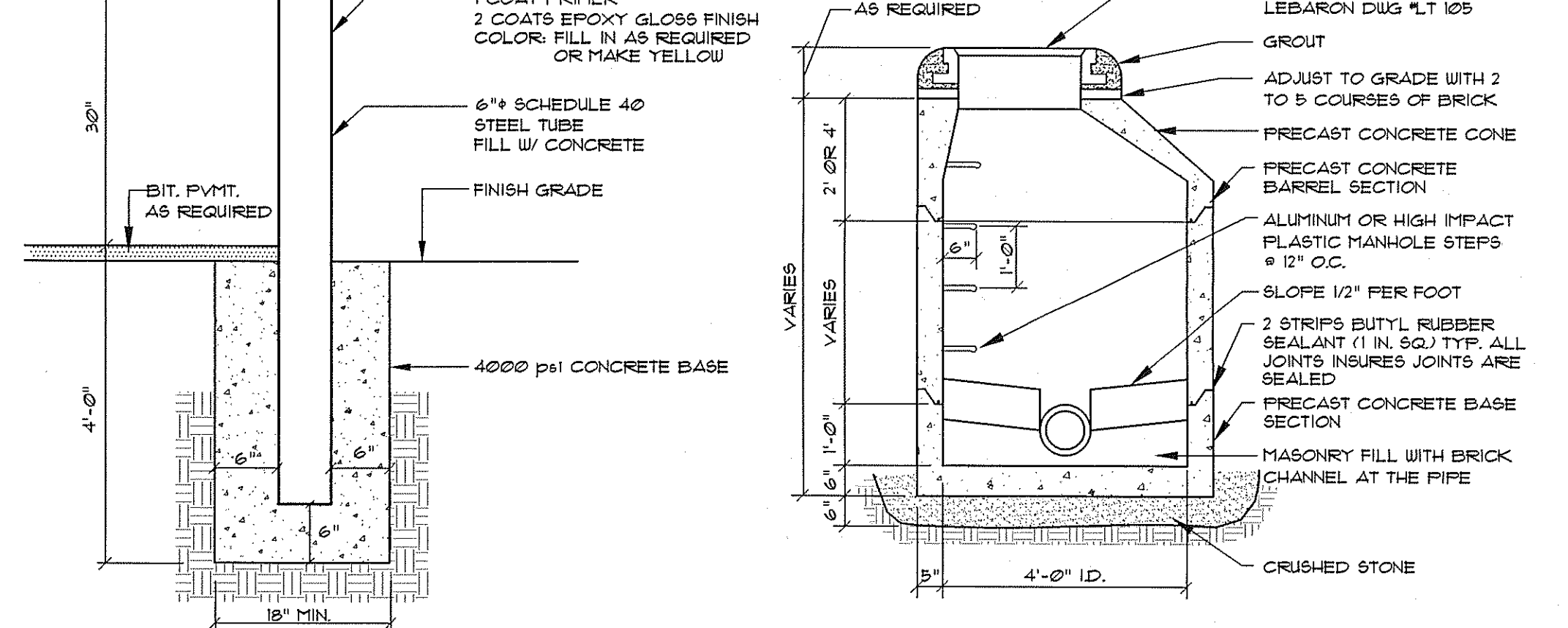
FILTER BARRIER
NOT TO SCALE



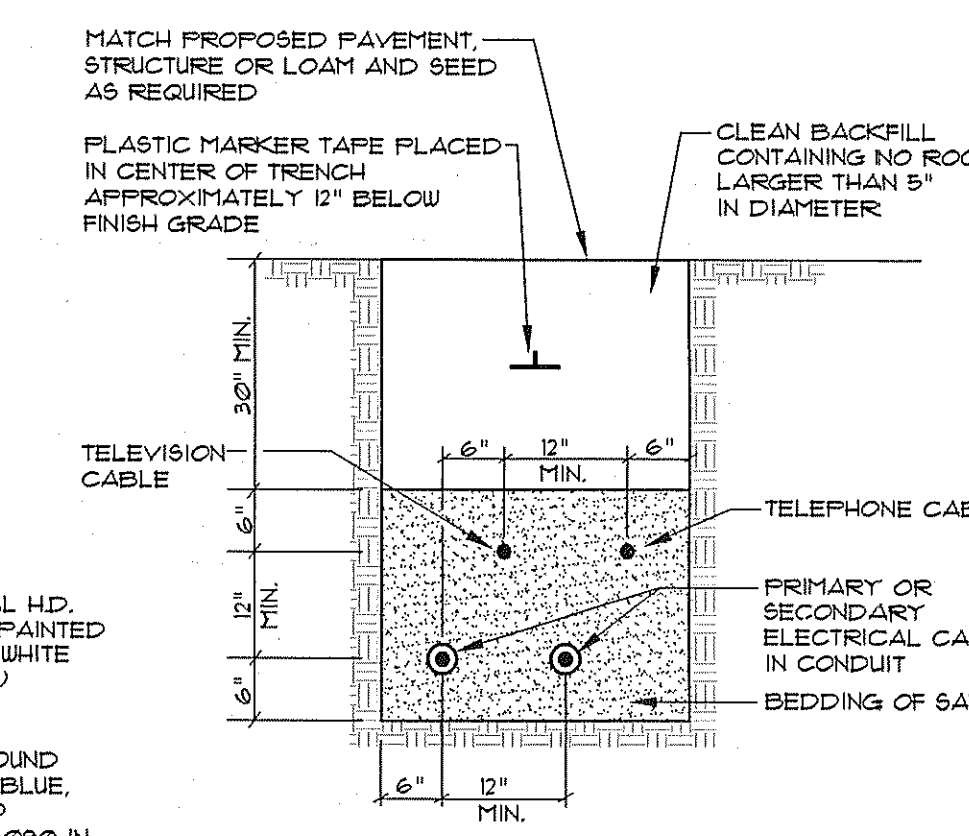
CATCH BASIN PROTECTION DETAIL (FOR PAVED AREAS)
NOT TO SCALE



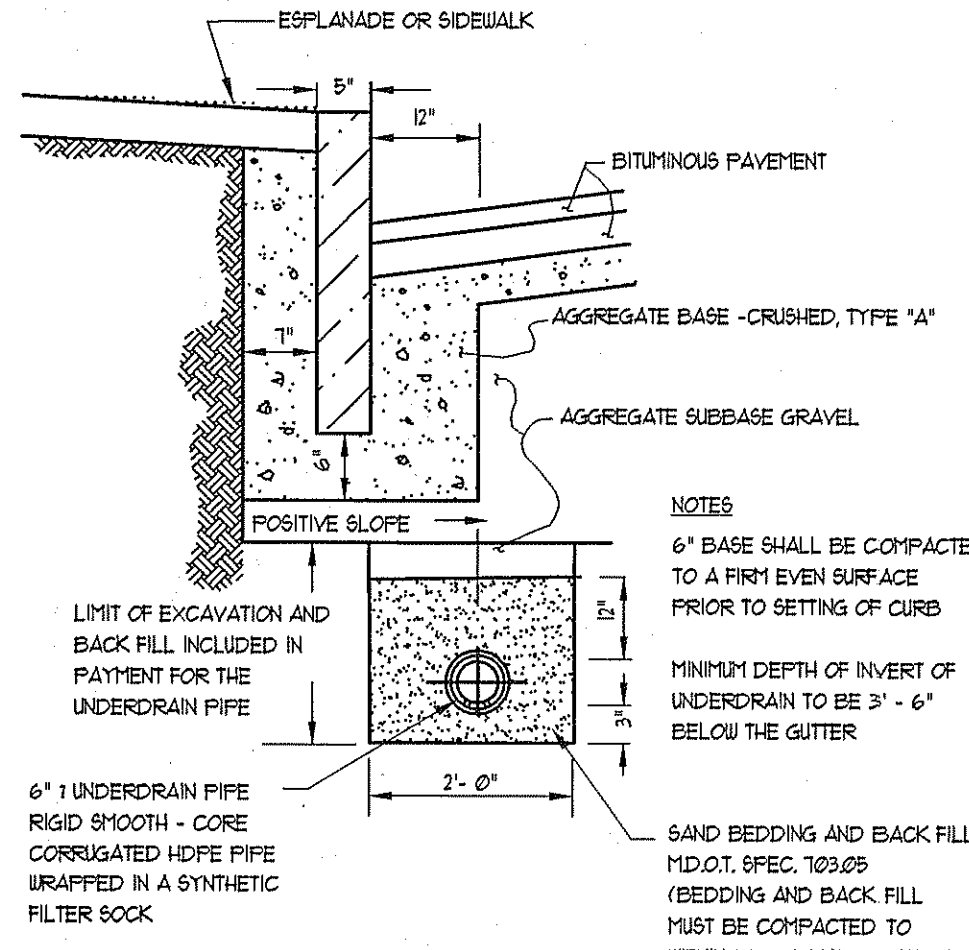
STABILIZED CONSTRUCTION ENTRANCE
NOT TO SCALE



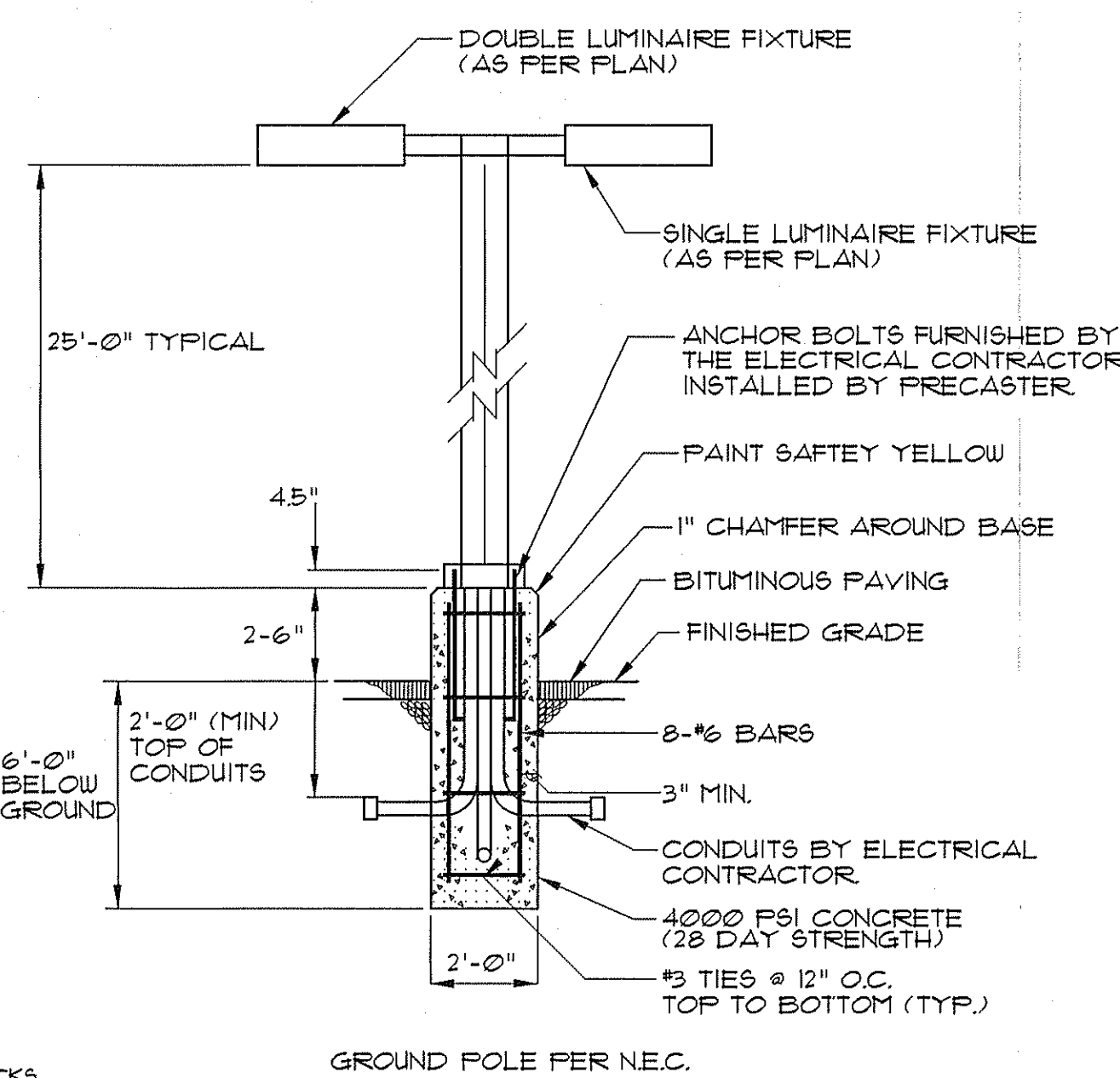
PRECAST MANHOLE
NOT TO SCALE



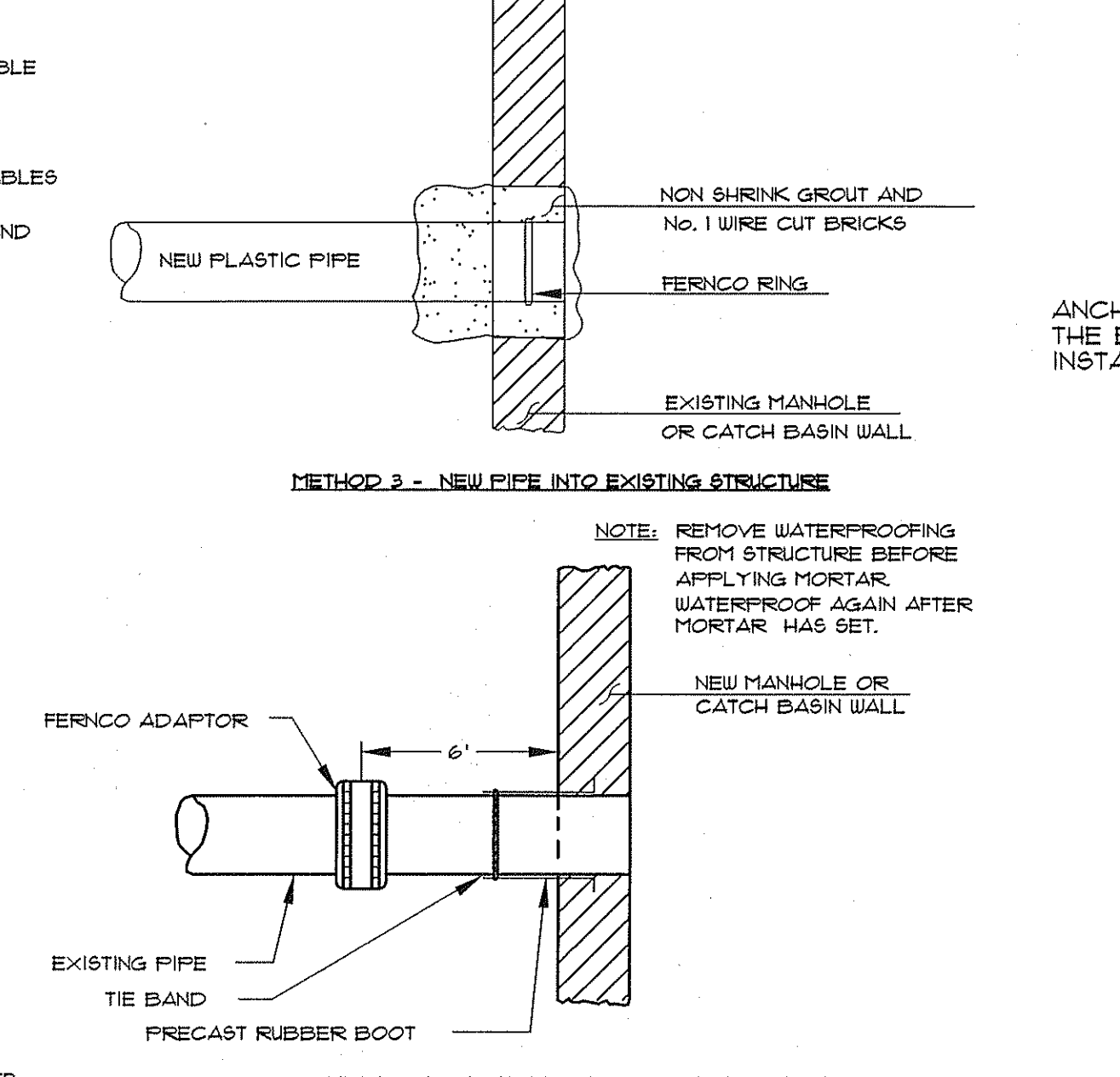
TYPICAL UNDERGROUND CABLE INSTALLATION
NOT TO SCALE



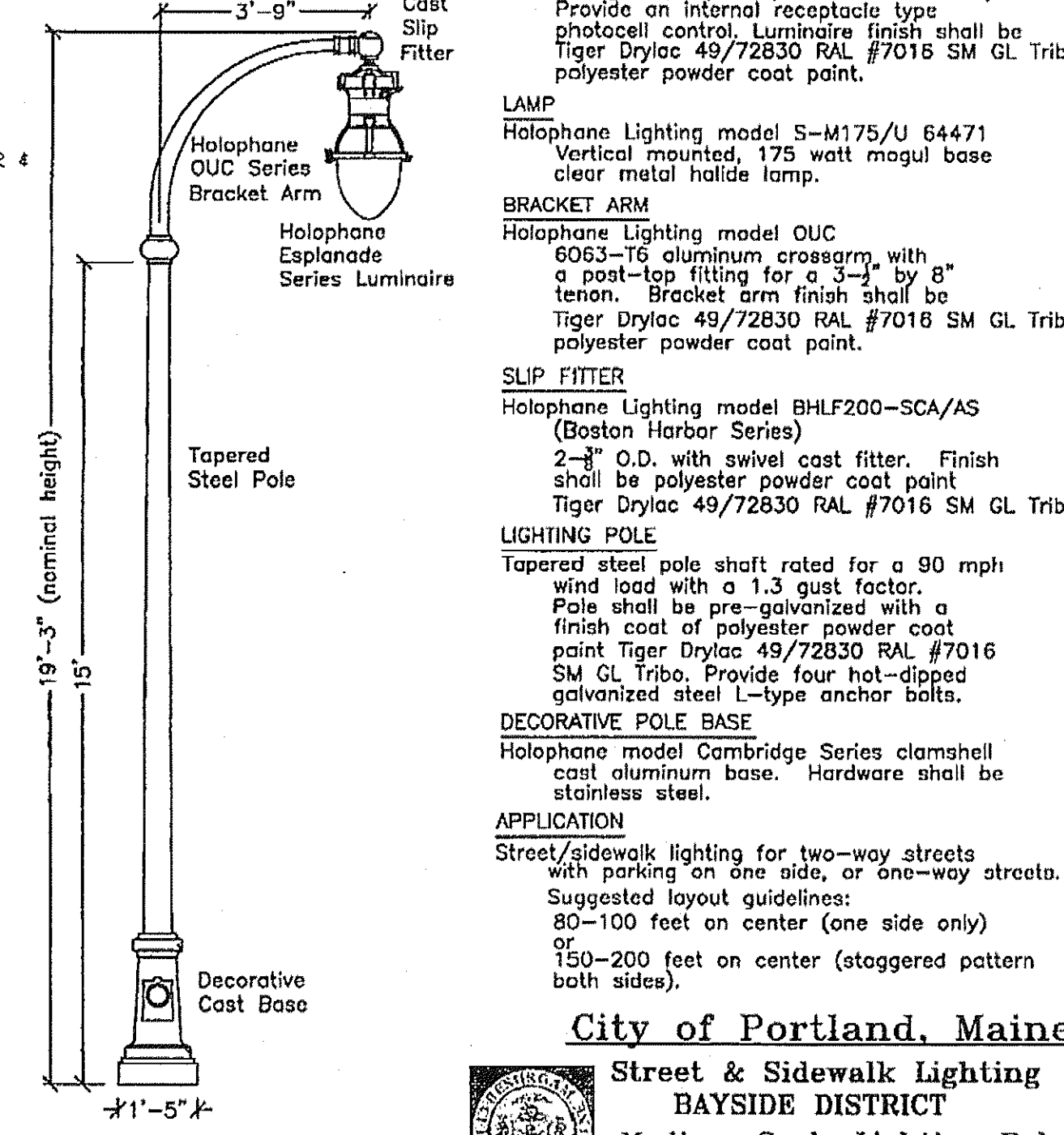
TYPE "B" UNDERDRAIN WITH CURB INSTALLATION
NOT TO SCALE



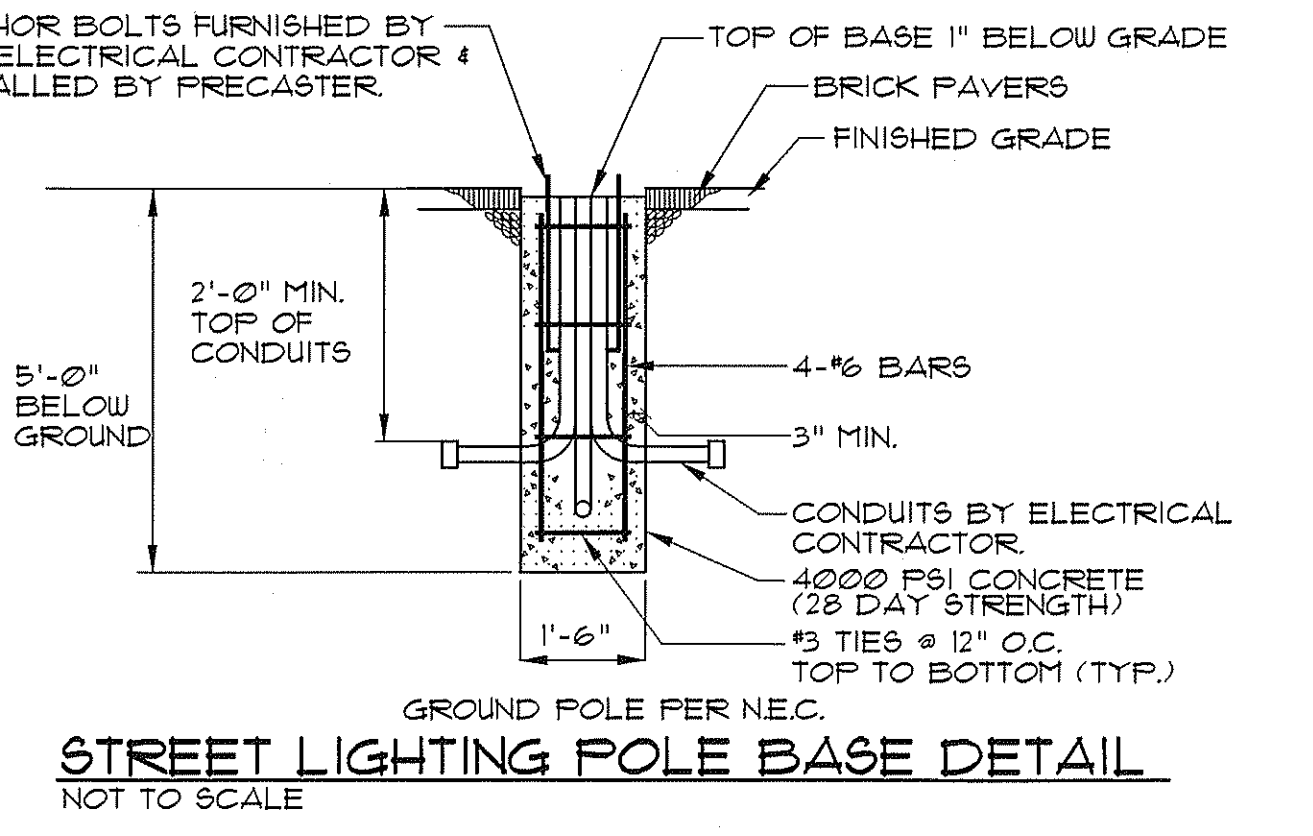
SITE LIGHTING POLE BASE DETAIL
NOT TO SCALE



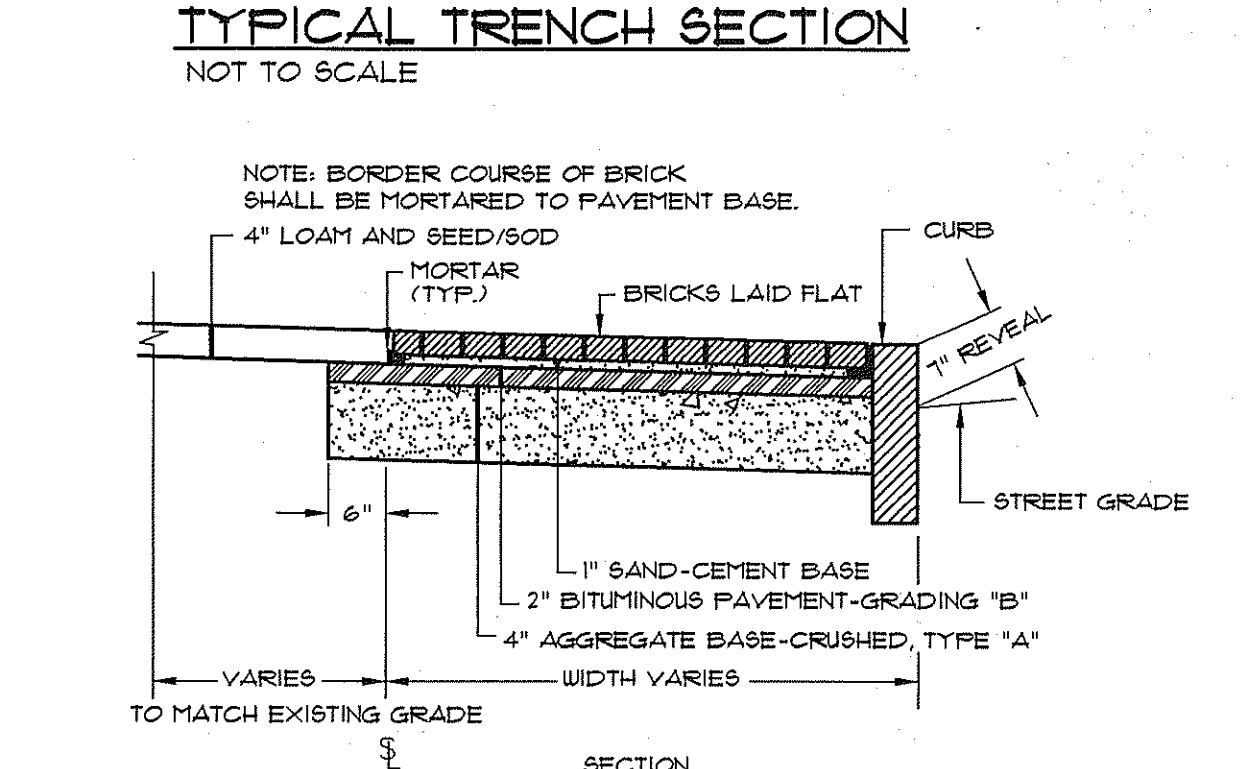
PLASTIC PIPE CONNECTION DETAIL
NOT TO SCALE



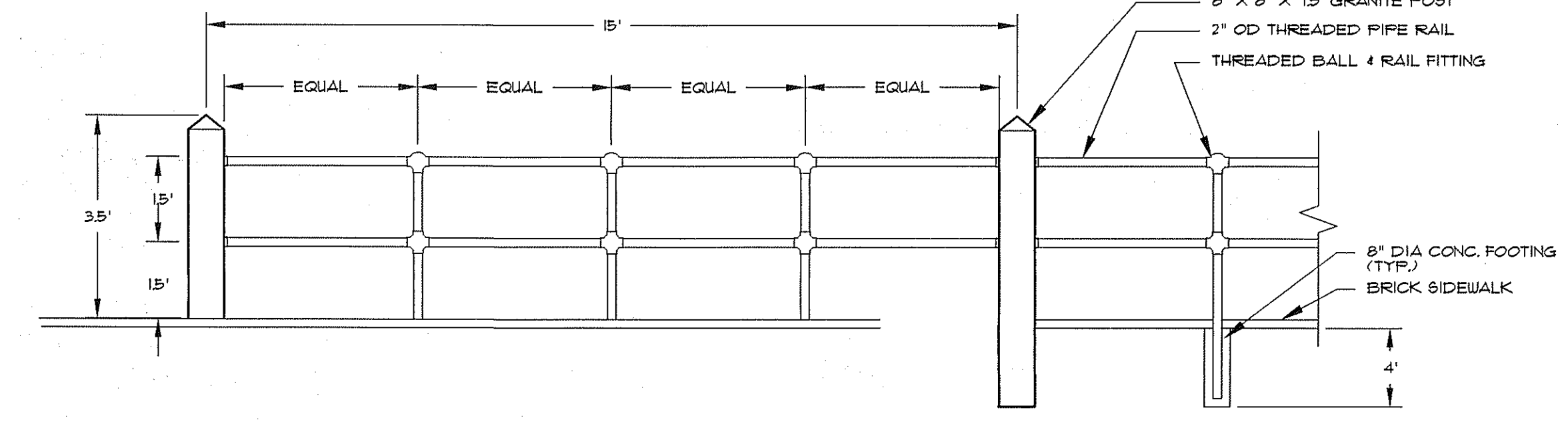
TYPICAL STREET LIGHTING POLE DETAIL
NOT TO SCALE



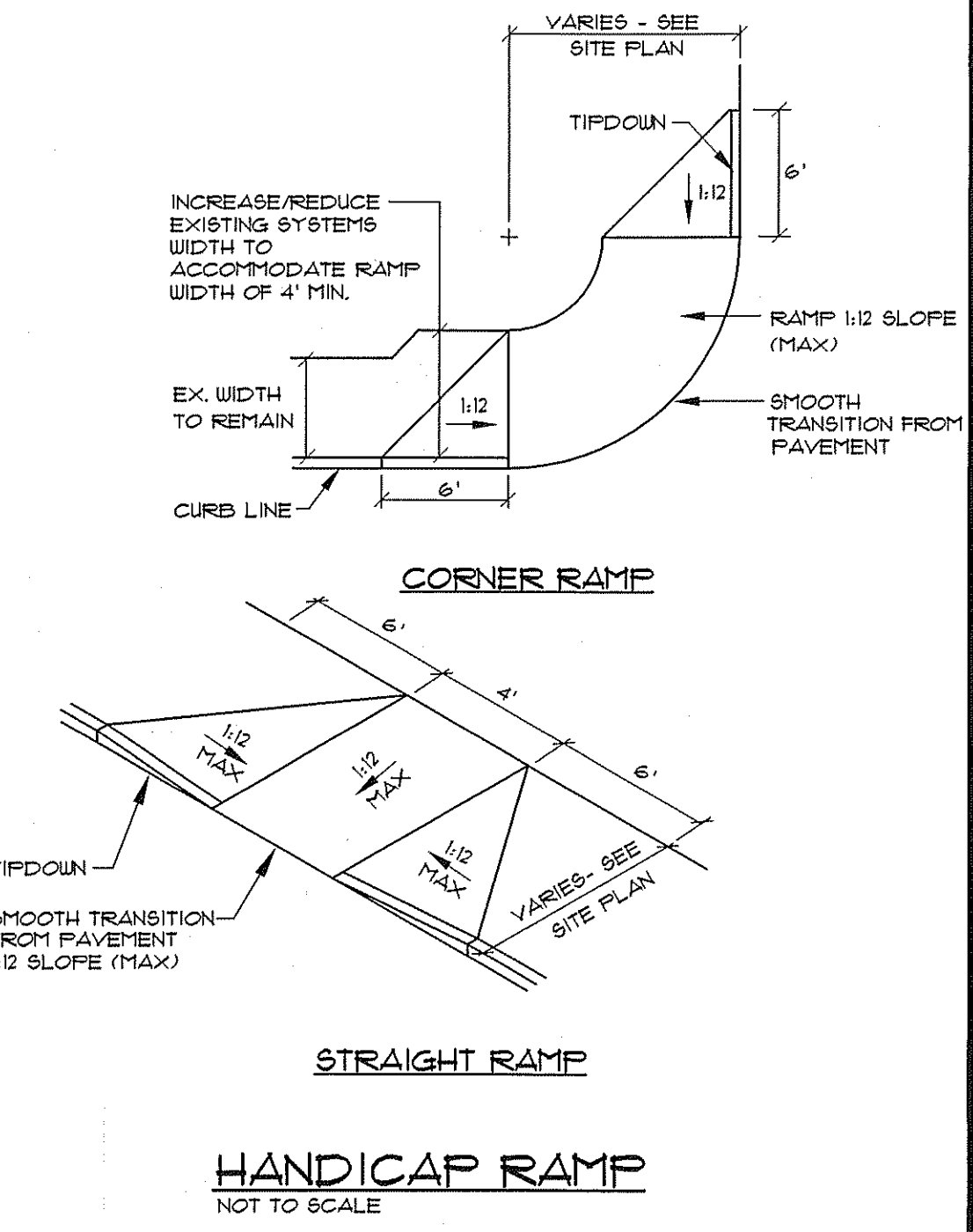
STREET LIGHTING POLE BASE DETAIL
NOT TO SCALE



BRICK SIDEWALK DETAIL - NO ESPLANADE
NOT TO SCALE



GRANITE POST & PIPE RAIL FENCE
NOT TO SCALE



HANDICAP RAMP
NOT TO SCALE

LUMINAIRE
 Halophane Lighting model ESU175MH1244-R-RAL6012
 Cast Aluminum housing with stainless steel hardware. Dropped reflector shall be thermal resistant borosilicate glass. Internal reflector and prismatic diffuser shall provide an IES Type III distribution pattern according to the manufacturer's photometric test # 47384.
 Luminaire shall include an integral ballast with modular wiring connectors and multi-voltage taps (factory wired for 120VAC). Provide an internal receptacle type photocell control. Luminaire finish shall be Tiger Drylac 49/72830 RAL #7016 SM GL Tribo polyester powder coat paint.

LAMP
 Halophane Lighting model S-M175/U 64471
 Vertical mounted, 175 watt mogul base clear metal halide lamp.

BRACKET ARM
 Halophane Lighting model OUC
 6063-T6 aluminum crossarm, with a post-top fitting for a 3-1/2" by 8" tenon. Bracket arm finish shall be Tiger Drylac 49/72830 RAL #7016 SM GL Tribo polyester powder coat paint.

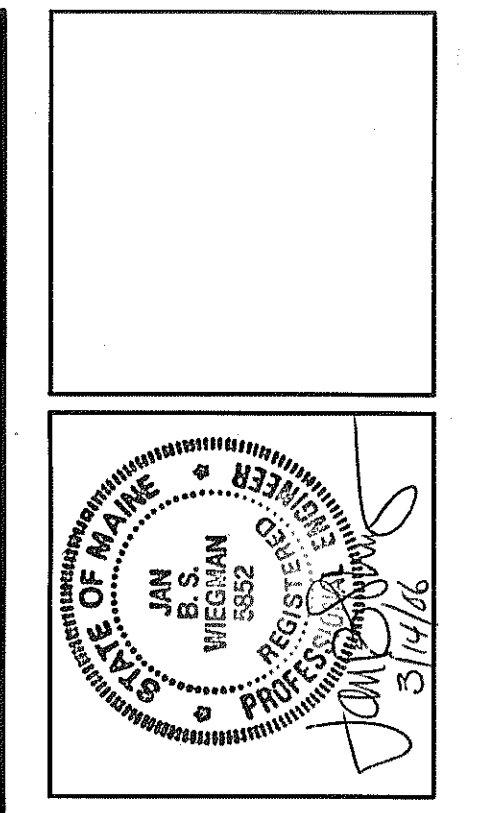
SLIP FITTER
 Halophane Lighting model BHL200-SCA/AS
 6063-T6 aluminum crossarm, with a post-top fitting for a 3-1/2" by 8" tenon. Bracket arm finish shall be Tiger Drylac 49/72830 RAL #7016 SM GL Tribo polyester powder coat paint.

LIGHTING POLE
 Tapered steel pole shaft rated for a 90 mph wind load with a 1.3 gust factor. Pole shall be pre-galvanized with a finish coat of polyester powder coat paint Tiger Drylac 49/72830 RAL #7016 SM GL Tribo. Provide four hot-dipped galvanized steel L-type anchor bolts.

DECORATIVE POLE BASE
 Halophane model Cambridge Series clamshell cast aluminum base. Hardware shall be stainless steel.

APPLICATION
 Street/sidewalk lighting for two-way streets with parking on one side, or one-way streets.
 Suggested layout guidelines:
 80-100 feet on center (one side only) or
 150-200 feet on center (staggered pattern both sides).

City of Portland, Maine
Street & Sidewalk Lighting
BAYSIDE DISTRICT
Medium Scale Lighting Pole
 07/02/05



ISSUED FOR CONSTRUCTION	03-14-06	BY:	NLS	DATE:	12/09/04	STATUS:	DESIGN
RELEASED FOR DEMOLITION AND FOUNDATION	12-16-05	BY:	JBSW	DATE:	01-04-05	STATUS:	DESIGN
ISSUED FOR FINAL SITE PLAN APPROVAL	02-01-05	BY:	JBSW	DATE:	01-04-05	STATUS:	DESIGN
REVISED PER PROJECT COORDINATION	01-04-05	BY:	NLS	DATE:	12/09/04	STATUS:	DESIGN

Sebago Technics
 Engineering Expertise You Can Build On
 One Choctaw Street
 Portland, ME 04103
 Tel: (207) 866-0277

DETAILS OF
SOMERSET MARKETPLACE
 FRANKLIN ARTERIAL AND FOX STREET
 PORTLAND, MAINE
 FOR:
FRANKLIN & SOMERSET PORTLAND ME, LLC
 550 BOWIE ST. 8TH FLOOR
 AUSTIN, TX 78703

DATE	SCALE
10-28-04	1"=30'

SHEET C-8