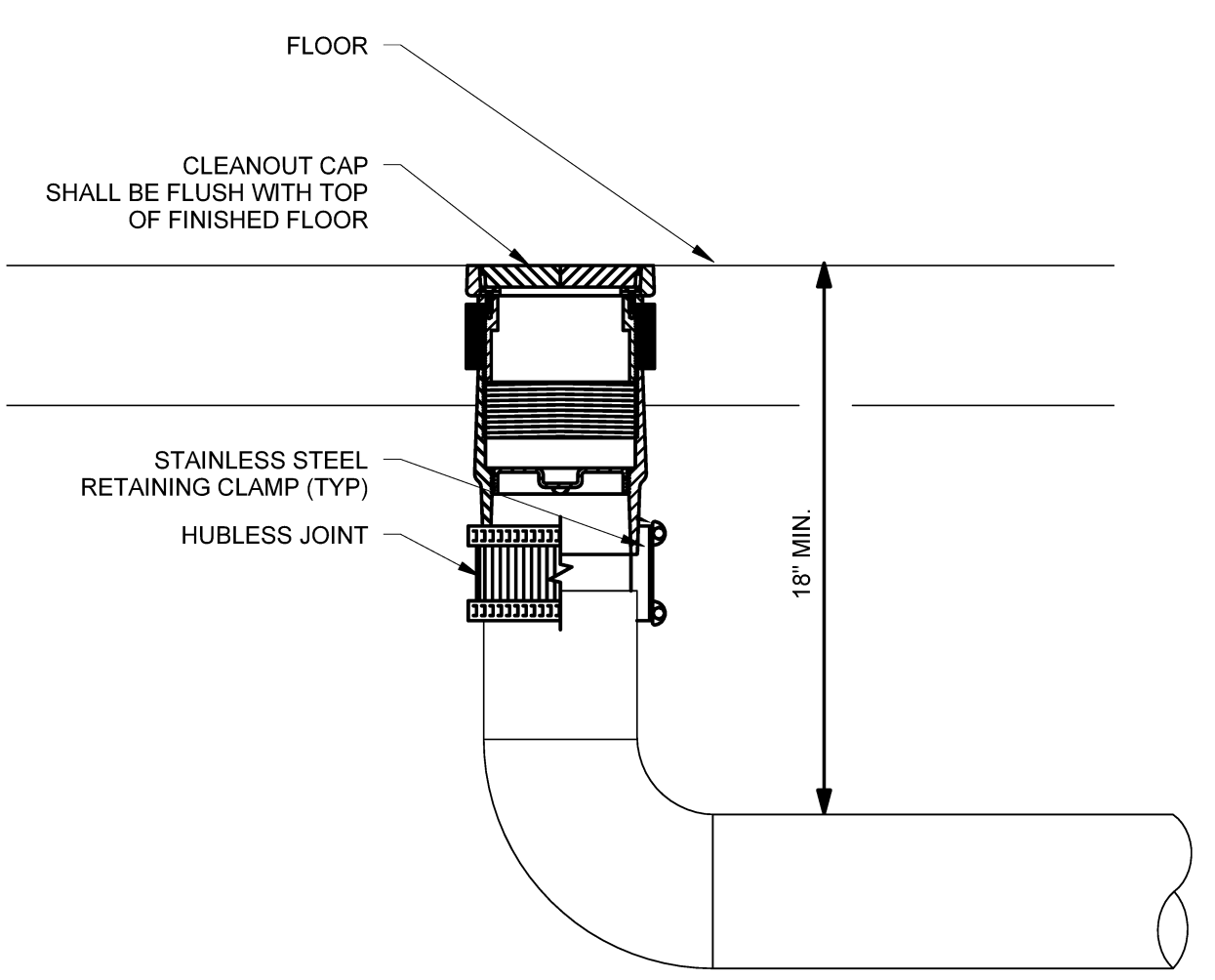
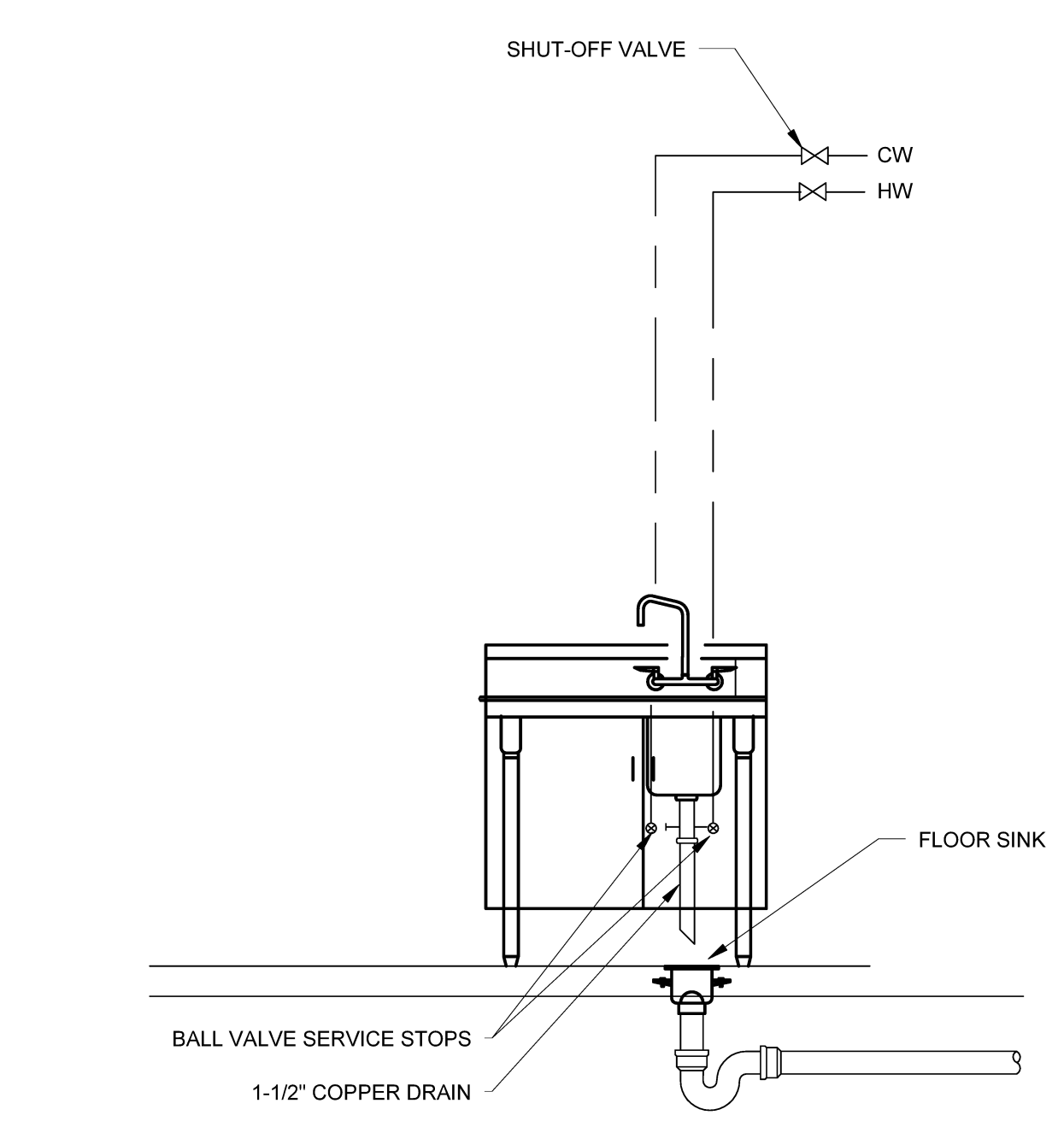


**3 EQUIPMENT GAS PIPING**  
NO SCALE



**2 FLOOR CLEANOUT AT END OF BRANCH**  
NO SCALE



**1 TYPICAL ONE-COMPARTMENT SINK DETAIL**  
NO SCALE

SYSTEM	MATERIAL
SANITARY WASTE AND VENT (UNDERGROUND)	SCHEDULE 40 POLYVINYL CHLORIDE (PVC)
SANITARY WASTE AND VENT (ABOVE GROUND)	SCHEDULE 40 POLYVINYL CHLORIDE (PVC) ASTM APPROVED CAST IRON (CONTRACTORS OPTION) UNLESS DWV WEIGHT COPPER IS INDICATED ON P10.2
GREASE WASTE AND VENT (UNDERGROUND)	SCHEDULE 40 POLYVINYL CHLORIDE (PVC)
GREASE WASTE AND VENT (ABOVE GROUND)	SCHEDULE 40 POLYVINYL CHLORIDE (PVC) ASTM APPROVED CAST IRON (CONTRACTORS OPTION)
COMBINATION WASTE AND VENT (UNDERGROUND)	SCHEDULE 40 POLYVINYL CHLORIDE (PVC)
COMBINATION WASTE AND VENT (ABOVE GROUND)	SCHEDULE 40 POLYVINYL CHLORIDE (PVC) ASTM APPROVED CAST IRON (CONTRACTORS OPTION)
CONDENSATE (INSIDE STORE)	DWV WEIGHT COPPER
CONDENSATE (ABOVE ROOF)	SCHEDULE 40 POLYVINYL CHLORIDE (PVC) ASTM APPROVED CAST IRON (CONTRACTORS OPTION)
DRAINS FROM COMB. OVENS AND SINKS AS INDICATED ON P.30.2	DWV WEIGHT COPPER
COLD WATER (UNDERGROUND)	TYPE K COPPER IN 4" PVC
COLD WATER (ABOVE GROUND)	TYPE L COPPER
HOT WATER (ABOVE GROUND)	TYPE L COPPER
DEIONIZED AND REVERSE OSMOSIS FILTERED WATER	WRSB0-KALAPAKX / CROSSLINKED POLYETHYLENE
NATURAL GAS PIPING	SCHEDULE 40 BLACK STEEL

**GENERAL NOTES**

- DRAWINGS ARE DIAGRAMMATIC ONLY AND REPRESENT THE GENERAL SCOPE OF THE WORK. REVIEW THE GENERAL NOTES, SPECIFICATIONS AND PLANS FOR ADDITIONAL REQUIREMENTS THAT MAY NOT BE SPECIFICALLY CALLED OUT IN THIS PORTION OF THE CONSTRUCTION DOCUMENTS. NOTIFY THE ARCHITECT OF ANY DISCREPANCIES PRIOR TO SUBMISSION OF BID.
- VERIFY LOCATION AND DEPTH OF UTILITIES AT ALL POINTS OF CONNECTION INDICATED ON DRAWINGS BEFORE START OF PROJECT.
- COORDINATE ALL WORK WITH OTHER TRADES AND CONTRACTORS. COORDINATE PIPING INSTALLATION WITH STRUCTURAL GRADE BEAMS, FOOTINGS, COLUMN PIERS, ETC. SLEEVE PIPING THROUGH GRADE BEAMS, FOOTINGS, ETC. WHERE REQUIRED AND AS NOTED ON PLANS. COORDINATE SLEEVE INSTALLATIONS WITH THE ARCHITECT, STRUCTURAL ENGINEER, STRUCTURAL CONTRACTOR AND GENERAL CONTRACTOR BEFORE CONCRETE IS INSTALLED. PIPING INVERTS AND SLOPE SHALL BE CLOSELY COORDINATED TO AVOID CONFLICTS WITH ALL OTHER TRADES BELOW SLAB WORK.
- COORDINATE PIPE ROUTING AWAY FROM ELECTRICAL PANELS. DO NOT ROUTE PIPING OVER ELECTRICAL PANELS.
- PIPING IN FINISHED AREAS SHALL BE ROUTED CONCEALED. EXPOSED PIPING, WHERE NECESSARY, SHALL BE ROUTED AS HIGH AS POSSIBLE AND TIGHT TO WALLS.
- REFER TO INSTALLATION SCHEDULE DATA FOR THE SIZE OF PIPING CONNECTIONS AND MOUNTING HEIGHTS OF EACH FIXTURE.
- ALL PLUMBING FIXTURES SHUT-OFF AND/OR BALANCING VALVES INSTALLED IN PIPE CHASES SHALL BE ACCESSIBLE FROM JUST ABOVE THE CEILING LINE OR ACCESS DOORS PROVIDED LOW IN CHASE HALL.
- SANITARY WASTE PIPING 4" & LARGER SHALL BE INSTALLED WITH A PITCH OF 1/4" PER 1'-0".
- ALL UNDERSLAB PIPING SHALL BE INSTALLED TO PROVIDE NO LESS THAN 2" OF COVER BETWEEN THE PIPING AND THE FLOOR SLAB.
- VENT AND WATER PIPING SHALL FITCH TO DRAIN.
- PROVIDE FIXTURE STOPS ON ANY WATER SUPPLY IMMEDIATELY ADJACENT TO PLUMBING FIXTURES.
- CLEAN FACET ADAPTERS AND PIPE STRAINERS PRIOR TO TURNING BUILDING OVER TO THE OWNER.
- PROVIDE TRAP PRIMERS WHERE REQUIRED BY LOCAL AUTHORITIES.
- VALVES SHALL BE LINE SIZE UNLESS OTHERWISE NOTED.
- ENTIRE PLUMBING INSTALLATION SHALL BE IN COMPLIANCE WITH ALL CURRENT LOCAL, STATE AND FEDERAL CODES AND STANDARDS.
- OSHA RULES, REGULATIONS AND REQUIREMENTS, AND ANY STATE AND LOCAL REQUIREMENTS FOR SAFETY SHALL BE FOLLOWED BY THE CONTRACTOR.
- THE TERM "PROVIDE" SHALL MEAN "TO FURNISH, INSTALL AND CONNECT COMPLETELY".

**LEGEND**

---	EXISTING PIPING ABOVE FINISHED FLOOR TO BE REMOVED	○	CIRCULATING PUMP	EWG-X	ELECTRIC WATER COOLER
---	EXISTING COLD WATER PIPING ABOVE FINISHED FLOOR	○	CHECK VALVE	ECG	FLOOR CLEANOUT
---	EXISTING COLD WATER PIPING BELOW FINISHED FLOOR	○	PRESSURE RELIEF VALVE	FD-X	FLOOR DRAIN
---	CW	○	SHUT-OFF VALVE	FS-X	FLOOR SINK
---	CW	○	THERMOMETER	HS-X	HOSE BIBB
---	CW	○	TRANSITION	LB-X	LAVATORY
---	CW	○	THREE WAY VALVE	MR	MOP RECEPTOR
---	XG	○	CAP	SA-X	SHOCK ARRESTOR (P.D.I. RATING)
---	G	○	FLOOR CLEANOUT	SK-X	SOLIDS INTERCEPTOR
---	G	○	EXISTING HOT WATER PIPING ABOVE FINISHED FLOOR	SK-X	SINK
---	XHW	○	EXISTING HOT WATER PIPING BELOW FINISHED FLOOR	SP-X	SUMP PUMP
---	XHW	○	HOT WATER PIPING ABOVE FINISHED FLOOR	TP-X	TRAP PRIMER
---	XHW	○	HOT WATER PIPING BELOW FINISHED FLOOR	UR-X	URINAL
---	XHWR	○	EXISTING HOT WATER RETURN PIPING ABOVE FINISHED FLOOR	WC-X	WATER CLOSET
---	XHW	○	HOT WATER RETURN PIPING ABOVE FINISHED FLOOR	WH-X	WALL HYDRANT
---	XIW	○	EXISTING INDIRECT WASTE PIPING ABOVE FINISHED FLOOR	WP-X	WATER PUMP
---	IW	○	INDIRECT WASTE PIPING ABOVE FINISHED FLOOR	BFF	BELOW FINISHED FLOOR
---	XSD	○	EXISTING STORM DRAIN PIPING ABOVE FINISHED FLOOR	DN	DOWN
---	SD	○	STORM DRAIN PIPING ABOVE FINISHED FLOOR	SGTR	SOIL GAS THRU ROOF
---	XV	○	EXISTING VENT PIPING ABOVE FINISHED FLOOR	TPY	TYPICAL
---	V	○	VENT PIPING ABOVE FINISHED FLOOR	VTR	VENT THROUGH ROOF

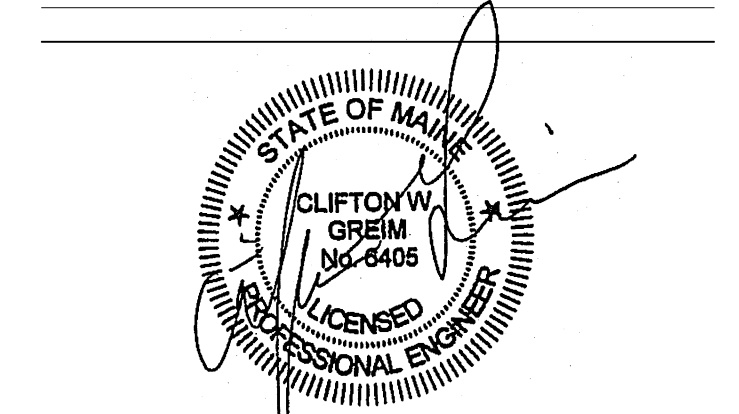
**PLUMBING FIXTURE INSTALLATION SCHEDULE**

LABEL	FIXTURE	BRANCH SIZES				SPECIFICATIONS	MTG. HT TO RIM
		VENT	WASTE	CW	HW		
FS-1	FLOOR SINK	---	3"	---	---	EQUAL TO ZURN MODEL ZN-1900-2, 12"x12" FLOOR SINK WITH 1/2" GRATE, 3" PIPE SIZE	FLUSH WITH FINISHED FLOOR
FOO-1	FLOOR CLEANOUT	---	3"	---	---	EQUAL TO ZURN MODEL ZN-1400, FLOOR CLEANOUT WITH ROUND NICKEL BRONZE TOP, 3" PIPE SIZE	FLUSH WITH FINISHED FLOOR

**EQUIPMENT SCHEDULE**

EQUIP. NO.	DEPARTMENT	DESCRIPTION	REMARKS	PLUMBING	EQUIP. NO.
006	FRONT END	1-COMP DROP-IN SS DUMP SINK W/ GOOSENECK FAUCET - 14" X 16" X 7.5"D (AMTECKO D-1-1416-7.5)	SET IN TRASH COUNTER #021. STANDARD PLUMBING REQUIREMENTS- DETERMINED BY ENGINEER, RECD. AND SET BY PLUMBER	INSTALL FAUCET & DRAIN	006
101	PRODUCE	12' REFRIGERATED JUICE BACK BAR 4 DECK CASES W/ REFRIG. LOWER DRAWERS & 8 DRY 4 DECK W/ OPENING FOR PIPE KEGS (HILL PHOENIX DB-6R-RLS) - (2) 6" & (HILL PHOENIX DB-6D) - (1) 6" (R-404A)	REMOTE REFRIGERATION (17,712 BTU). RECEIVED AND SET BY REFRIGERATION CONTRACTOR	1-1/2" DRAIN, RUN TO FLOOR SINK FS-1	101
102	PRODUCE	JUICE TAPS - 3 KEG DIRECT DRAIN DISPENSER W/ TWO DROPT TOWERS AND 3 FAUCETS (BLACK SC, MICRO MATIC MDD58)	SELF-CONTAINED REFRIGERATION, RECEIVED AND SET BY G.C. WATER CONNECTION BY PLUMBER	1-1/2" DRAIN, RUN TO FLOOR SINK FS-1 - 1/2" CW SUPPLY WITH SHUT-OFF VALVE - MAKE DRAINAGE AND SUPPLY CONNECTIONS TO EQUIPMENT PER MANUFACTURER RECOMMENDATION	102
109	PRODUCE	ICE CUBER W/ BIN - 19 3/4" X 22 3/8" X 30" AIR COOLED SC FB (MANITOWOC QM-45A) (RELOCATED - CONFIRM MODEL?)	SELF-CONTAINED REFRIGERATION, RECEIVED AND SET BY G.C. WATER CONNECTION BY PLUMBER	3/4" DRAIN, RUN TO FLOOR SINK FS-1 - 1/2" FILTERED CW SUPPLY WITH SHUT-OFF VALVE - MAKE DRAINAGE AND SUPPLY CONNECTIONS TO EQUIPMENT PER MANUFACTURER RECOMMENDATION	109
113	PRODUCE	WATER FILTER SYSTEM - SINGLE HEAD (GROEN FS-S)	RECEIVED AND SET BY PLUMBER	3/8" CW SUPPLY - MAKE SUPPLY CONNECTION TO EQUIPMENT PER MANUFACTURER RECOMMENDATION	113
114	PRODUCE	UC DISHWASHER W/ BOOSTER HEATER ELEC - 208V (FAGOR AD-40W) (RELOCATED - CONFIRM MODEL?)	RECEIVED AND SET BY OWNER. WATER CONNECTIONS BY PLUMBER	1/2" DRAIN, RUN TO 3" INDIRECT WASTE DRAIN PIPE - 3/4" HW SUPPLY WITH SHUT-OFF VALVE - MAKE DRAINAGE AND SUPPLY CONNECTIONS TO EQUIPMENT PER MANUFACTURER RECOMMENDATION	114
128	PRODUCE	HAND SINK - WALL MTD W/ SIDE SPLASHES & KNEE VALVE (AMTECKO DH-16)	STANDARD PLUMBING REQUIREMENTS- DETERMINED BY ENGINEER, RECD. AND SET BY PLUMBER	1-1/2" DRAIN RUN TO FLOOR SINK FS-1 - 1/2" CW & 1/2" HW WITH SUPPLY STOPS	128
127	PRODUCE	1-COMP SS SINK W/ LEFT DRAIN BOARD W/ SPRAY (AMTECKO C-1-1618-18L-C)	STANDARD PLUMBING REQUIREMENTS- DETERMINED BY ENGINEER, RECD. AND SET BY PLUMBER	1-1/2" DRAIN, RUN TO FLOOR SINK FS-1 - 1/2" CW & 1/2" HW WITH SUPPLY STOPS	127
129	PRODUCE	BLENDER CONTAINER RINSE (VITA-MIX RINSE-O-MATIC #1410)	SET IN 1-COMP SINK, RECEIVED AND SET BY G.C.	FACTORY SUPPLIED HOSE ASSEMBLY WITH FAUCET ADAPTER CONNECTS TO FAUCET AT 1-COMPARTMENT SINK	129
129	PRODUCE	1-COMP SS FLORAL SINK IN WORK CABINET - 54" X 24" X 40" (AMTECKO SP-45WT-254S-BS W/ SINK)	STANDARD PLUMBING REQUIREMENTS- DETERMINED BY ENGINEER, RECD. AND SET BY PLUMBER	1-1/2" DRAIN WITH P-TRAP, 1-1/2" VENT - 1/2" CW & 1/2" HW WITH SUPPLY STOPS	129
135	PRODUCE	14' JUICE BAR ICE DISPLAY W/ REAR COUNTER & OPENING FOR UC ICE MACHINE & DISHWASHER (AMTECKO CUSTOM)	RECEIVED AND SET BY G.C.	1-1/2" DRAIN, RUN TO FLOOR SINK FS-1	135
410	SPECIALTY	ICE CUBER W/ BIN - 19 3/4" X 22 3/8" X 30" AIR COOLED SC FB (MANITOWOC QM-45A)	SELF-CONTAINED REFRIGERATION, RECEIVED AND SET BY G.C. WATER CONNECTION BY PLUMBER	3/4" DRAIN, RUN TO FLOOR SINK FS-1 - 1/2" FILTERED CW SUPPLY WITH SHUT-OFF VALVE - MAKE DRAINAGE AND SUPPLY CONNECTIONS TO EQUIPMENT PER MANUFACTURER RECOMMENDATION	410
412	SPECIALTY	COLD BREW COFFEE & ICED TEA TAPPING SYSTEM - MOBILE DOUBLE HEADED DRAFT COLUMN SC (BEVERAGE-AIR D0491)	SELF-CONTAINED REFRIGERATION, LOCATED AT COFFEE COUNTER, RECEIVED AND SET BY G.C.	FACTORY SUPPLIED DRAIN TUBE, RUN TO FLOOR SINK FS-1	412
421	SPECIALTY	UC DISHWASHER W/ BOOSTER HEATER ELEC - 208V (JACKSON AVENGER HT)	RECEIVED AND SET BY OWNER. WATER CONNECTIONS BY PLUMBER	FACTORY SUPPLIED DRAIN HOSE, RUN TO 3" INDIRECT WASTE DRAIN PIPE - 3/4" HW SUPPLY WITH SHUT-OFF VALVE - MAKE DRAINAGE AND SUPPLY CONNECTIONS TO EQUIPMENT PER MANUFACTURER RECOMMENDATION	421
424	SPECIALTY	COFFEE BREWER - DUAL STATION AIRFOOT (FETCO C85-2122TS-1G)	RECEIVED AND SET BY G.C. WATER CONNECTIONS BY PLUMBER	1/4" FILTERED CW SUPPLY WITH SHUT-OFF VALVE - MAKE SUPPLY CONNECTION TO EQUIPMENT PER MANUFACTURER RECOMMENDATION	424
428	SPECIALTY	WATER FILTER SYSTEM - SINGLE HEAD FOR BREWER & ESPRESSO (GROEN FS-S)	RECEIVED AND SET BY PLUMBER	3/8" CW SUPPLY - MAKE SUPPLY CONNECTION TO EQUIPMENT PER MANUFACTURER RECOMMENDATION	428
431	SPECIALTY	ESPRESSO TAPS & MODULES (MODBAR ESPRESSO REAR)	RECEIVED AND SET BY G.C. WATER CONNECTIONS BY PLUMBER	3/4" DRAIN, RUN TO FLOOR SINK FS-1 - 1/2" FILTERED CW SUPPLY WITH SHUT-OFF VALVE - MAKE DRAINAGE AND SUPPLY CONNECTIONS TO EQUIPMENT PER MANUFACTURER RECOMMENDATION	431
432	SPECIALTY	STEAM TAPS & MODULE (MODBAR STEAM GEAR)	RECEIVED AND SET BY G.C. WATER CONNECTIONS BY PLUMBER	3/4" DRAIN, RUN TO FLOOR SINK FS-1 - 1/2" FILTERED CW SUPPLY WITH SHUT-OFF VALVE - MAKE DRAINAGE AND SUPPLY CONNECTIONS TO EQUIPMENT PER MANUFACTURER RECOMMENDATION	432
433	SPECIALTY	POUR-OVER TAPS & MODULES (MODBAR V1.1)	RECEIVED AND SET BY G.C. WATER CONNECTIONS BY PLUMBER	3/4" DRAIN, RUN TO FLOOR SINK FS-1 - 1/2" FILTERED CW SUPPLY WITH SHUT-OFF VALVE - MAKE DRAINAGE AND SUPPLY CONNECTIONS TO EQUIPMENT PER MANUFACTURER RECOMMENDATION	433
442	SPECIALTY	HOT WATER DISPENSER TANK W/ FILTER SYSTEM (IN-SINK-ERATOR C1300)	LOCATED ON BREWER TABLE, RECEIVED AND SET BY G.C. WATER CONNECTIONS BY PLUMBER	3/8" FNPT COLD WATER	442
455	SPECIALTY	8'X30"X4" H ENCLOSED BREWER TABLE W/ 1-COMP SS SINK, HAND SINK, TRASH & OPENING FOR UC REFRIG. & DISHWASHER (AMTECKO CUSTOM)	STANDARD PLUMBING REQUIREMENTS- DETERMINED BY ENGINEER, RECD. AND SET BY G.C.	1-COMPARTMENT SINK 1-1/2" DRAIN, RUN TO FLOOR SINK FS-1 - 1/2" CW & 1/2" HW SUPPLY WITH SUPPLY STOPS	455
485	SPECIALTY	COFFEE BAR FRONT COUNTER W/ REGISTERS, MOP BAR, BAKERY CASE & OPENINGS FOR EQUIPMENT (AMTECKO CUSTOM)	PROVIDE UTILITIES AS REQUIRED. RECEIVED AND SET BY G.C. REFER TO REVISED SHOP DRAWING DATED 9/08/15	HAND SINK 1-1/2" DRAIN, RUN TO FLOOR SINK FS-1 - 1/2" CW & 1/2" HW SUPPLY WITH SUPPLY STOPS	485
511	PREPARED FOODS	8' BURRITO SERVICE INLINE W/ HOT WELLS, COLD PANS & REFRIG STORAGE (STRUCTURAL CONCEPTS DPHS-09RH) (R-404A)	REMOTE REFRIGERATION (1,125 BTU/R-CASE), RECEIVED AND SET BY REFRIGERATION CONTRACTOR	1-1/2" DRAIN, RUN TO FLOOR SINK FS-1	511
535	PREPARED FOODS	5' PIZZA OVEN - DOUBLE SIDED GAS (WOOD STONE NY ADAMS WS-MS-5-RFG-IR-270) (RELOCATED - CONFIRM MODEL?)	REQUIRES HOOD PROVIDED BY G.C. RECEIVED AND SET BY G.C.	3/4" GAS. RELOCATE AND RE-USE EXISTING GAS REGULATOR SERVING EXISTING PIZZA OVEN (FIELD VERIFY ACCEPTABLE CONDITION OF EXISTING REGULATOR BEFORE RE-USE, AND PROVIDE NEW IF REQUIRED). 188,000 BTU NATURAL GAS. MAKE CONNECTION TO EQUIPMENT PER MANUFACTURER RECOMMENDATION	535
536	PREPARED FOODS	DOUBLE FRYER SINGLE FULL POT GAS W/ FILTER SYSTEM (PTCO 2-SG14S / FD) - INCLUDED FILTER SYSTEM?	REQUIRES HOOD PROVIDED BY G.C. RECEIVED AND SET BY G.C.	3/4" GAS. PROVIDE GAS REGULATOR 110,000 BTU NATURAL GAS. MAKE CONNECTION TO EQUIPMENT PER MANUFACTURER RECOMMENDATION	536
540	PREPARED FOODS	36" CHARBROILER COUNTERTOP GAS (TBD) - CONFIRM MODEL?	REQUIRES HOOD PROVIDED BY G.C. RECEIVED AND SET BY G.C.	3/4" NPT GAS / 70 MBTU	540
541	PREPARED FOODS	2 BURNER 12" RANGE W/ STORAGE BASE GAS (TBD) - CONFIRM MODEL?	REQUIRES HOOD PROVIDED BY G.C. RECEIVED AND SET BY G.C.	3/4" NPT GAS / 60 MBTU	541
542	PREPARED FOODS	12" GRIDDLE COUNTERTOP GAS (TBD) - CONFIRM MODEL?	REQUIRES HOOD PROVIDED BY G.C. RECEIVED AND SET BY G.C.	3/4" NPT GAS / 60 MBTU	542
550	PREPARED FOODS	FRYER SINGLE FULL POT GAS (PTCO 2-SG14S)	LOCATED AT SUSHI PREP. REQUIRES HOOD PROVIDED BY G.C. RECEIVED AND SET BY G.C.	3/4" NPT GAS / 110 MBTU EACH	550
559	PREPARED FOODS	HAND SINK - WALL MTD W/ SIDE SPLASHES & KNEE VALVE (AMTECKO DH-16)	STANDARD PLUMBING REQUIREMENTS- DETERMINED BY ENGINEER, RECD. AND SET BY PLUMBER. (S) PREP. FOODS. (1) SUSHI	1-1/2" DRAIN WITH P-TRAP, 1-1/2" VENT - 1/2" CW & 1/2" HW SUPPLY WITH SUPPLY STOPS	559
560	PREPARED FOODS	HAND SINK 12" X 20" X 5" D W/ SIDE SPLASHES IN 16" ENCLOSED CABINET (AMTECKO CUSTOM)	RECEIVED AND SET BY PLUMBER	1-1/2" DRAIN, RUN TO FLOOR SINK FS-1 - 1/2" CW & 1/2" HW SUPPLY WITH SUPPLY STOPS	560
561	PREPARED FOODS	HAND SINK 12" X 20" X 5" D W/ SIDE SPLASHES IN 20" ENCLOSED CABINET (AMTECKO CUSTOM)	INCLUDE RICE STRAINER, STANDARD PLUMBING REQUIREMENTS- DETERMINED BY ENGINEER, RECD. AND SET BY PLUMBER	1-1/2" DRAIN, RUN TO FLOOR SINK FS-1 - 1/2" CW & 1/2" HW SUPPLY WITH SUPPLY STOPS	561
562	PREPARED FOODS	DIPPERWELL - FAUCET SET (T & S BRASS B-2282-01)	RECEIVED AND SET BY PLUMBER	1-1/2" DRAIN, RUN TO FLOOR SINK FS-1 - 1/2" HW SUPPLY WITH SUPPLY STOP	562
563	PREPARED FOODS	1-COMP SS SUSHI SINK W/ SPRAY IN 16" ENCLOSED CABINET - 30"D (AMTECKO CUSTOM) - CONFIRM EXISTING?	STANDARD PLUMBING REQUIREMENTS- DETERMINED BY ENGINEER, RECD. AND SET BY PLUMBER	INSTALL FAUCET & DRAIN	563
564	PREPARED FOODS	POT FILL FAUCET ASSEMBLY W/ FLEXIBLE SS HOSE & SQUEEZE VALVE (T & S BRASS B-4510) - CONFIRM MODEL?	STANDARD PLUMBING REQUIREMENTS- DETERMINED BY ENGINEER, RECD. AND SET BY PLUMBER	INSTALL FAUCET	564
904	PUB	BEER TAPPING SYSTEM COMPONENTS (TBD) - MILLINIUM SERIES? NOT SPECIFIED	TBD	IF MODEL PURCHASED INCLUDES A GLASS RINSE IT WILL REQUIRE 1/2" CW SUPPLY WITH IN-LINE WATER PRESSURE REGULATOR AND SHUT-OFF VALVE - MAKE SUPPLY CONNECTION TO EQUIPMENT PER MANUFACTURER RECOMMENDATION	904
905	PUB	PASS THRU BREW PIPE TOWER - 10 TAP W/ DRAINER (CHILLRITE PIPE-T-10-SS) - CHANGE ONE 90SB TO 90SA	SELF-CONTAINED REFRIGERATION, RECEIVED AND SET BY G.C. TAP & REFRIG. CONNECTIONS BY OTHERS	1" DRAIN, RUN TO FLOOR SINK FS-1 - MAKE DRAINAGE CONNECTION TO EQUIPMENT PER MANUFACTURER RECOMMENDATION	905
932	PUB	UC DISHWASHER W/ BOOSTER HEATER ELEC - 208V (HOBART LX4H)	RECEIVED AND SET BY OWNER. WATER CONNECTIONS BY PLUMBER	FACTORY SUPPLIED DRAIN HOSE, RUN TO 3" INDIRECT WASTE DRAIN PIPE - 3/4" HW SUPPLY WITH SHUT-OFF VALVE - MAKE DRAINAGE AND SUPPLY CONNECTIONS TO EQUIPMENT PER MANUFACTURER RECOMMENDATION	932
954	PUB	1-COMP SS BACKBAR HAND SINK W/ DECK MOUNTED FAUCET - 12" (GLASTENDER DHS-12)	STANDARD PLUMBING REQUIREMENTS- DETERMINED BY ENGINEER, RECD. AND SET BY PLUMBER	1-1/2" DRAIN, RUN TO FLOOR SINK FS-1 - 1/2" CW & 1/2" HW SUPPLY WITH SUPPLY STOPS - MAKE DRAINAGE AND SUPPLY CONNECTIONS PER MANUFACTURER RECOMMENDATION	954
955	PUB	3-COMP SS BACKBAR SINK W/ DECK MOUNTED FAUCET - 36" (GLASTENDER TSB-36-S)	STANDARD PLUMBING REQUIREMENTS- DETERMINED BY ENGINEER, RECD. AND SET BY PLUMBER	1-1/2" DRAIN, RUN TO FLOOR SINK FS-1 - 1/2" CW & 1/2" HW SUPPLY WITH SUPPLY STOPS - MAKE DRAINAGE AND SUPPLY CONNECTIONS PER MANUFACTURER RECOMMENDATION	955
956	PUB	24" ICE BINS W/ OUT COLD PLATE (GLASTENDER IBB-24)	RECEIVED AND SET BY G.C. DRAIN CONNECTION BY PLUMBER	1-1/2" DRAIN, RUN TO FLOOR SINK FS-1	956
958	PUB	12" STORAGE CABINET W/ FULL DRAINBOARD TOP (GLASTENDER D6CB-12)	RECEIVED AND SET BY G.C. DRAIN CONNECTION BY PLUMBER	1/2" DRAIN, RUN TO FLOOR SINK FS-1	958
959	PUB	18" STORAGE CABINET W/ FULL DRAINBOARD TOP (GLASTENDER D6CB-18)	RECEIVED AND SET BY G.C. DRAIN CONNECTION BY PLUMBER	1/2" DRAIN, RUN TO FLOOR SINK FS-1	959

Mark	Date	Description
---	09-08-15	ISSUED FOR PERMITTING
---	10-08-15	CONSTRUCTION DOCUMENTS



PA/PE	CG	© 2015
Drawn by:	PSM	Harriman Associates

**LEGEND, SCHEDULES, GENERAL NOTES AND DETAILS**

**P00.1**