



HARRIMAN

AUBURN PORTLAND MANCHESTER



PUB DEVELOPMENT AND DEPARTMENT
RELOCATIONS
2 SOMERSET ST
PORTLAND, ME

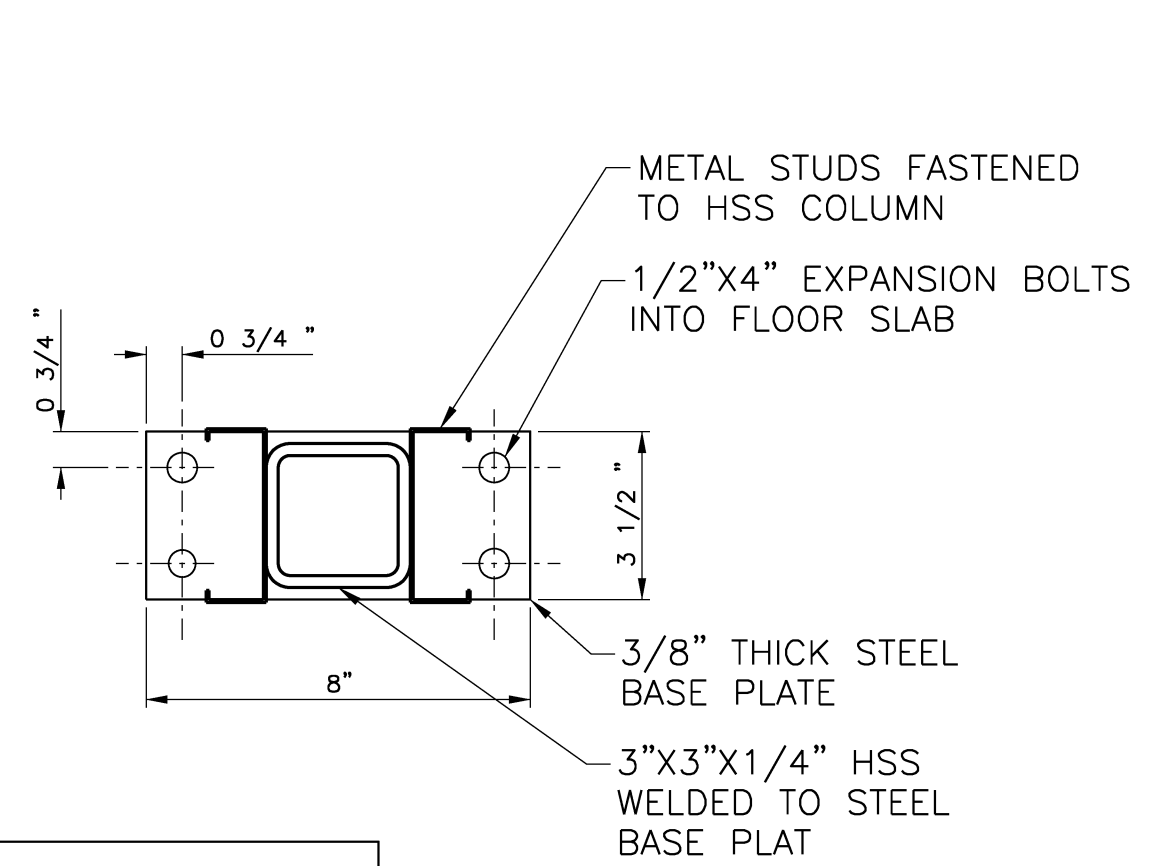
Harriman Project No. 15103

Key Plan Proj North



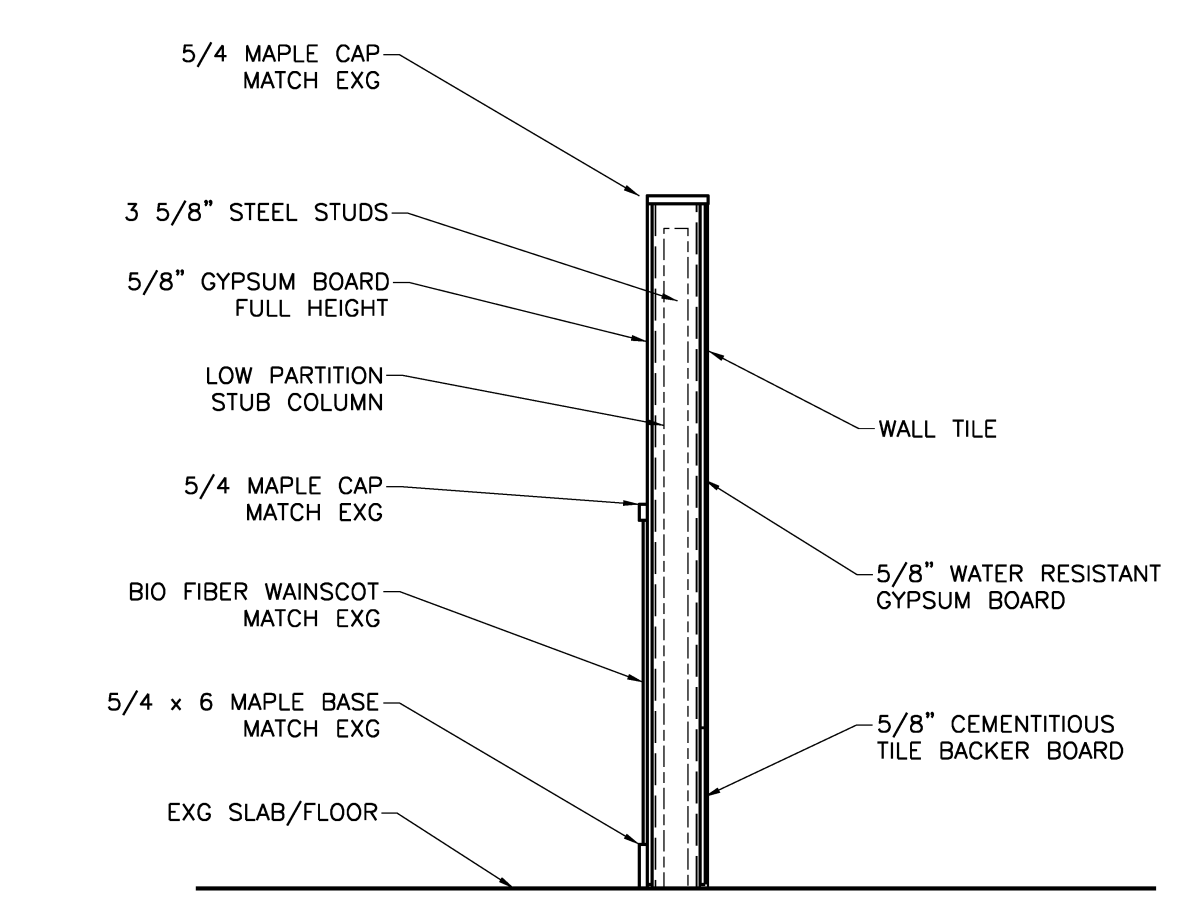
Issues and Revisions

Mark	Date	Description
--	09-09-15	ISSUED FOR PERMITTING
--	10-06-15	CONSTRUCTION DOCUMENTS



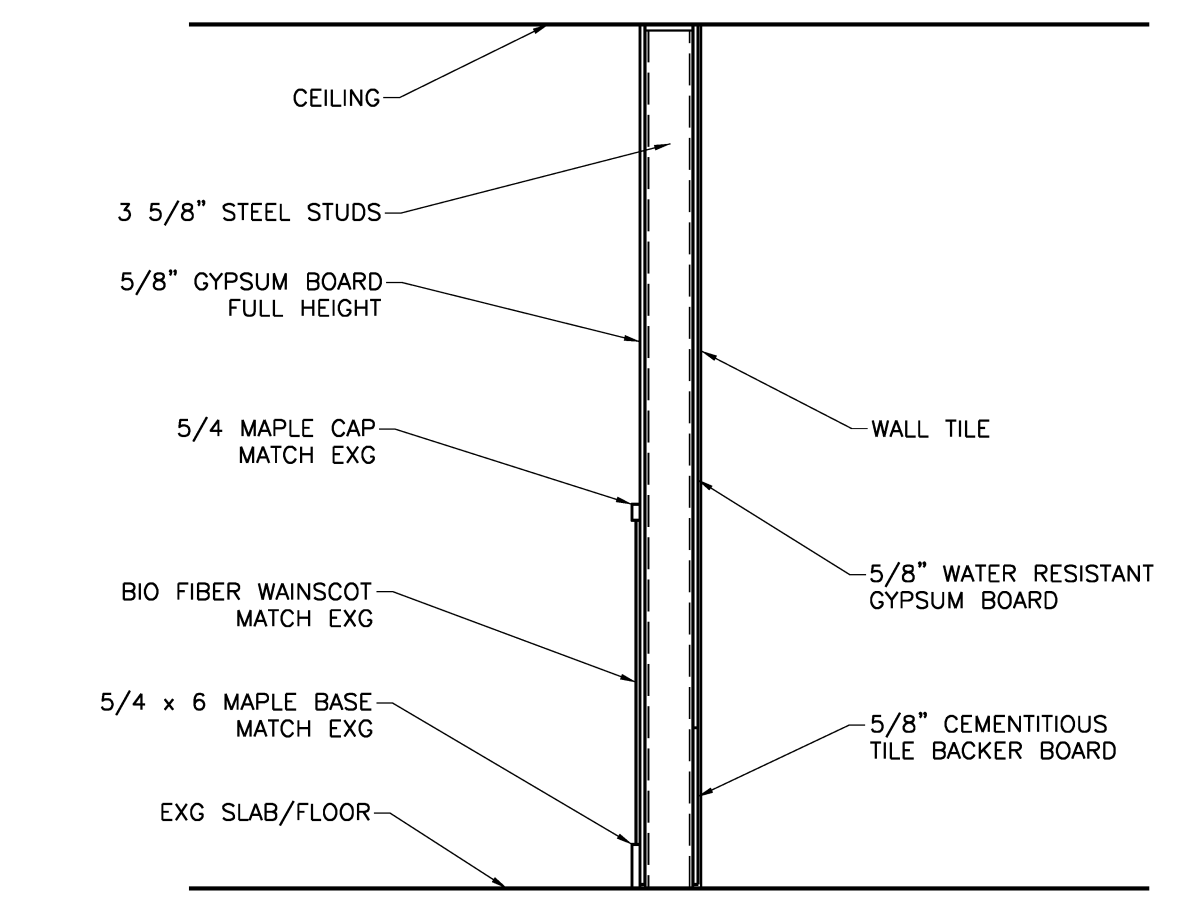
NOTE:
STUB COLUMN HEIGHT TO BE
3" BELOW TOP OF PARTITION

LOW PARTITION STUB COLUMN DETAIL



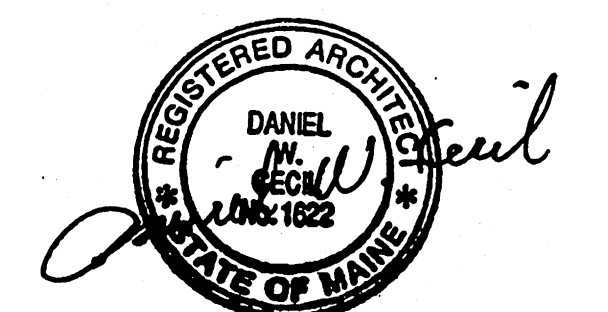
PUBLIC FACE OF PARTITION FOOD PREP/SERVICE FACE OF PARTITION

TYPICAL PARTIAL HEIGHT PARTITION CONSTRUCTION



PUBLIC FACE OF PARTITION FOOD PREP/SERVICE FACE OF PARTITION

TYPICAL PARTITION CONSTRUCTION



Drawing Scale:

PA/PE: DLJ © 2015
Drawn By: SJD Harriman Associates

CONSTRUCTION
DETAILS

A40.1