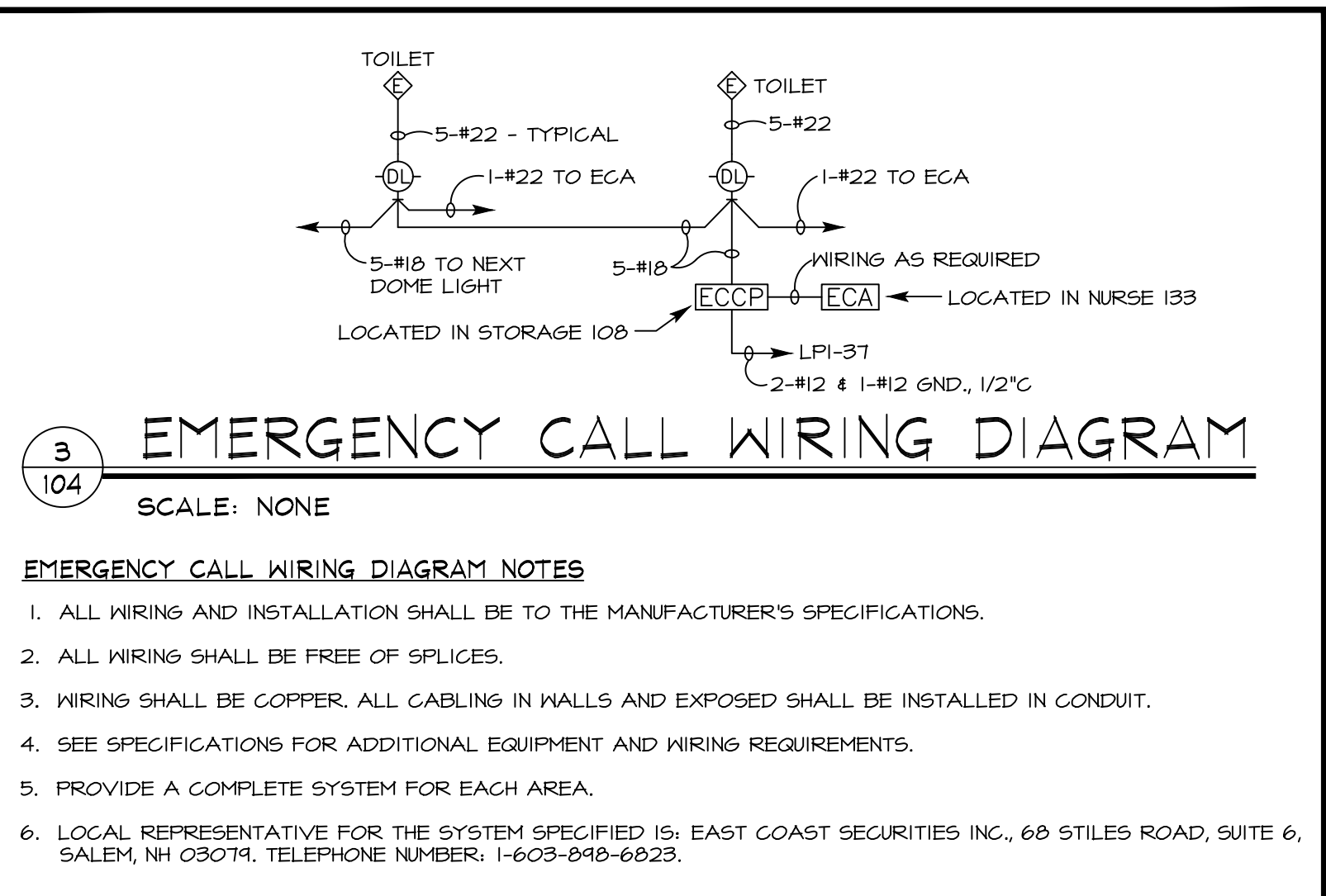


PROPOSED SECURITY ZONES

ZONE	AREA
1	STAFF DOOR (DC1)
2	MAIN ENTRANCE DOORS (DC2 & DC3)
3	MAIN ENTRANCE DOORS (DC4 & DC5)
4	CORRIDOR MOTION DETECTORS (2)
5	WAITING ROOM MOTION DETECTORS (1)
6	WORKSPACE MOTION DETECTOR (1)

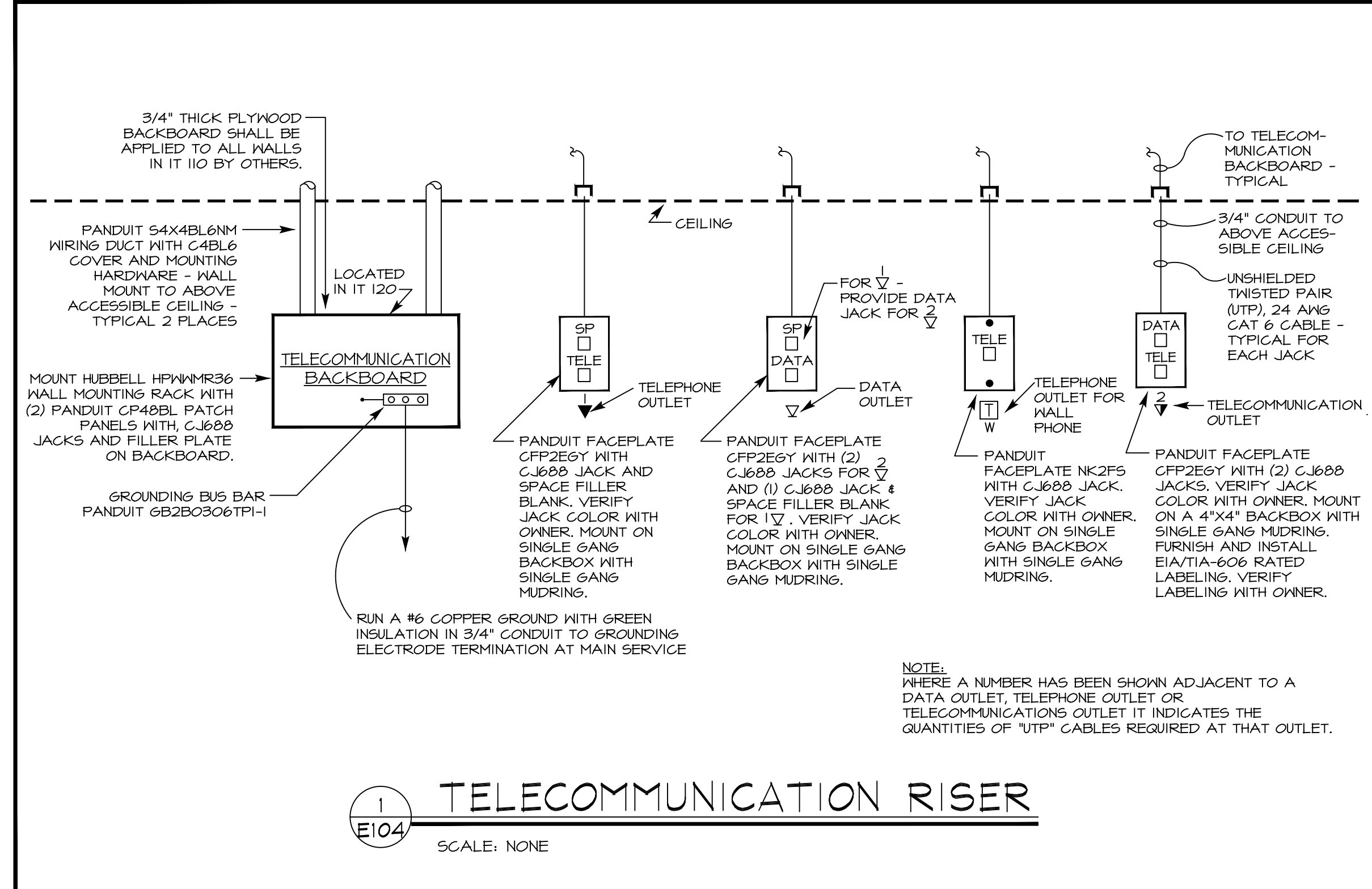


EMERGENCY CALL SYSTEM LEGEND

SYMBOL	DESCRIPTION	MANUFACTURER	PART NO.	MOUNTING	REMARKS
[ECCP]	EMERGENCY CALL CONTROL PANEL	JERON	EC-300	WALL RECESSED	SEE NOTE 4
[ECCA]	EMERGENCY CALL ANNUNCIATOR	JERON	8105-10-F	WALL RECESSED	SEE NOTE 5
[ECS]	EMERGENCY CALL PULL STATION	JERON	2331	WALL MOUNT AT 72" AFF	PROVIDE WITH FULL CHAIN.
[DL]	DOMED LIGHT - RED BULB	JERON	8801	WALL MOUNT ABOVE DOOR	-

EMERGENCY CALL SYSTEM NOTES

- ALL WIRING AND INSTALLATION SHALL BE TO THE MANUFACTURER'S SPECIFICATIONS.
- ALL WIRING SHALL BE FREE OF SPLICES.
- WIRING SHALL BE COPPER IN METAL RACEWAY.
- PROVIDE A 0651 CONTROLLER WITH BATTERIES AND A 6888 EQUIPMENT ENCLOSURE. LABEL INDICATOR LIGHT TO INDICATE LOCATION OF THE EMERGENCY CALL SWITCH CONNECTED TO THE INDICATOR LIGHT.
- PROVIDE A 3460-1 BACKBOX AND A 3450 FLUSH MOUNT FRAME.
- PROVIDE A COMPLETE AND OPERATIONAL EMERGENCY CALL SYSTEM TO THE SATISFACTION OF THE OWNER AND TRAIN OWNER ON THE OPERATION OF THE SYSTEM.
- LOCAL REPRESENTATIVE FOR THE SYSTEM SPECIFIED IS: EAST COAST SECURITIES INC., 68 STILES ROAD, SUITE 6, SALEM, NH 03074. TELEPHONE NUMBER: 1-603-848-6823.



TELECOMMUNICATION RISER NOTES

- THE ELECTRICAL CONTRACTOR SHALL BE A CERTIFIED INSTALLER OF CATEGORY 6 CABLE AND EQUIPMENT. IF THE ELECTRICAL CONTRACTOR IS NOT QUALIFIED FOR CATEGORY 6 INSTALLATION THEY SHALL CARRY A SUBCONTRACTOR UNDER THEIR SUPERVISION TO INSTALL THE DATA SYSTEM NOTED ABOVE.
- ALL PLATES SHALL BE FURNISHED WITH EIA/TIA-606 RATED PORT DESIGNATION LABELS.
- LEAVE 1 FOOT SLACK CABLE AT EACH JACK FOR FUTURE MAINTENANCE.
- ALL CABLES SHALL BE TAGGED AT EACH END. VERIFY NUMBERING SYSTEM WITH OWNER.
- ALL CABLING SHALL BE HOME RUN FROM JACKS TO PATCH PANEL AT TELECOMMUNICATION BACKBOARD. CABLE SHALL NOT BE CUT OR SPLICED.
- ALL CABLING, JACKS AND INSTALLATION SHALL CONFORM TO EIA/TIA 568 CATEGORY STANDARDS. VERIFY A OR B CODED WITH OWNER.
- THE ELECTRICAL CONTRACTOR SHALL GUARANTEE THE CONTINUITY AND TESTING OF THE CABLING SYSTEM.
- LEVITON, HUBBELL AND AND MOLEX ARE CONSIDERED ACCEPTABLE SUBSTITUTES FOR PANDUIT.
- LEAVE 3 FEET OF SLACK CABLE AT PATCH PANEL.
- ACCEPTABLE CABLE MANUFACTURERS ARE HITACHI, BELDEN, WEST PENN AND CLIFFORD.
- THE ELECTRICAL CONTRACTOR SHALL BE RESPONSIBLE FOR FURNISHING AND INSTALLING BACKBOXES, PLATES, JACKS, CONDUIT, LABELS, CABLING, PATCH PANELS, RACK AND TERMINATIONS AT JACKS AND PATCH PANELS. THE ELECTRICAL CONTRACTOR SHALL VERIFY WITH THE DATA SYSTEM INSTALLER HOME RUN LOCATIONS FOR EACH CABLE BEFORE INSTALLATION.
- THE ELECTRICAL CONTRACTOR SHALL FURNISH, INSTALL AND TERMINATE TWO 48 PORT MODULAR PATCH PANELS, CATEGORY 6, PANDUIT CP48BL WITH JACKS NOTED FOR OUTLETS AT EACH BACKBOARD. PATCH PANELS SHALL BE MOUNTED ON A PANDUIT WBH4 RACK. FURNISH AND INSTALL FILLER PANELS FOR NON-USED RACK SPACE. PROVIDE SPACE FOR RACK MOUNTED SOUND SYSTEM AMP.
- ALL DATA CABLING AND CONNECTIONS SHALL BE TESTED TO 1 Gbit USING LAN CABLE TESTER TO INSURE THAT ALL TERMINATIONS MEET 10baseT CATEGORY 6 SPECIFICATIONS. TESTING RESULTS MUST BE DOCUMENTED AND DELIVERED TO OWNER.
- NO CABLE RUN SHALL BE LONGER THAN 90 METERS (300 FT.).
- DATA EQUIPMENT RACK SHALL BE GROUNDED TO EIA/TIA SPECIFICATIONS.
- FACEPLATE COLOR SHALL BE AS DIRECTED BY THE ARCHITECT.

Convenient MD
191 Marginal Way
Portland, Maine

RENO ENGINEERING
& LIGHT DESIGN
MARLOW, NH 03456
603-446-9426, 603-446-9731 (F)
EMAIL: renomg@comcast.net



DENNIS MIRE'S, P.A.
ARCHITECTS
697 Union Street, Manchester, NH
603-625-5496 FAX 603-625-1067

The material contained in these drawings and the information herein is the property of Dennis B. Mires, Professional and shall not be used, copied, reproduced or distributed in any form without the written permission of Dennis B. Mires, Inc. or its authorized representative. Any use, reproduction or distribution of this information without the written permission of Dennis B. Mires, Inc. is expressly prohibited.

Special Systems

revisions:

date: 03/24/2017
proj. no.: 2014-055

E104