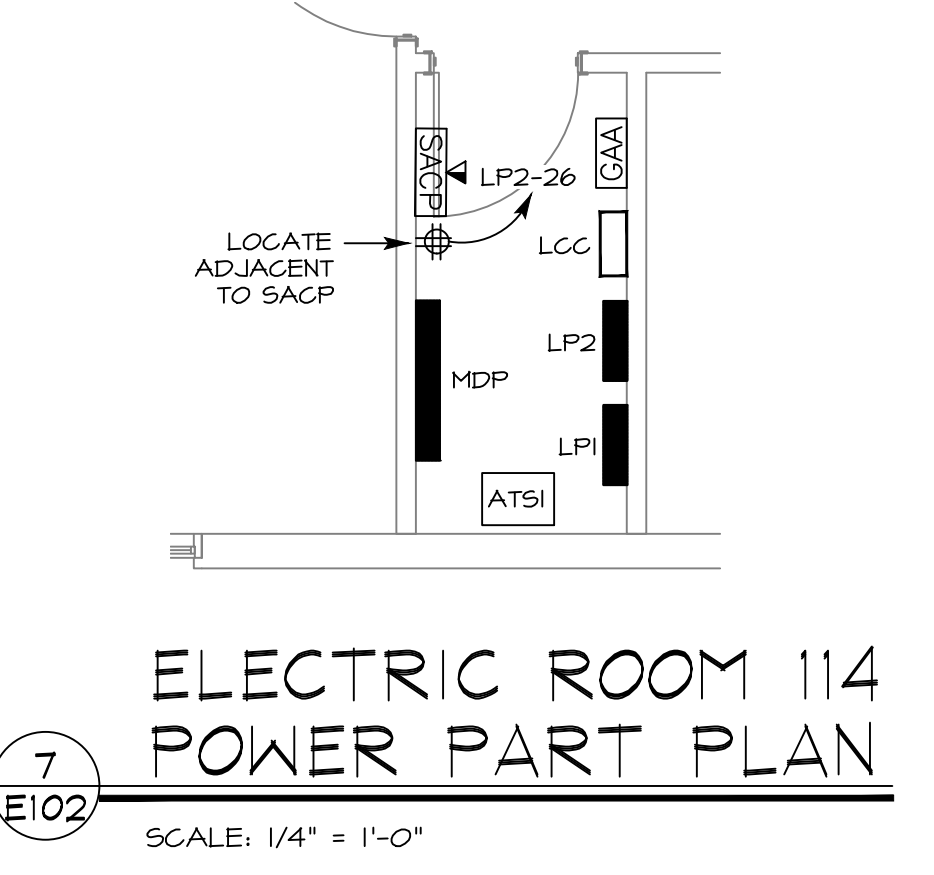
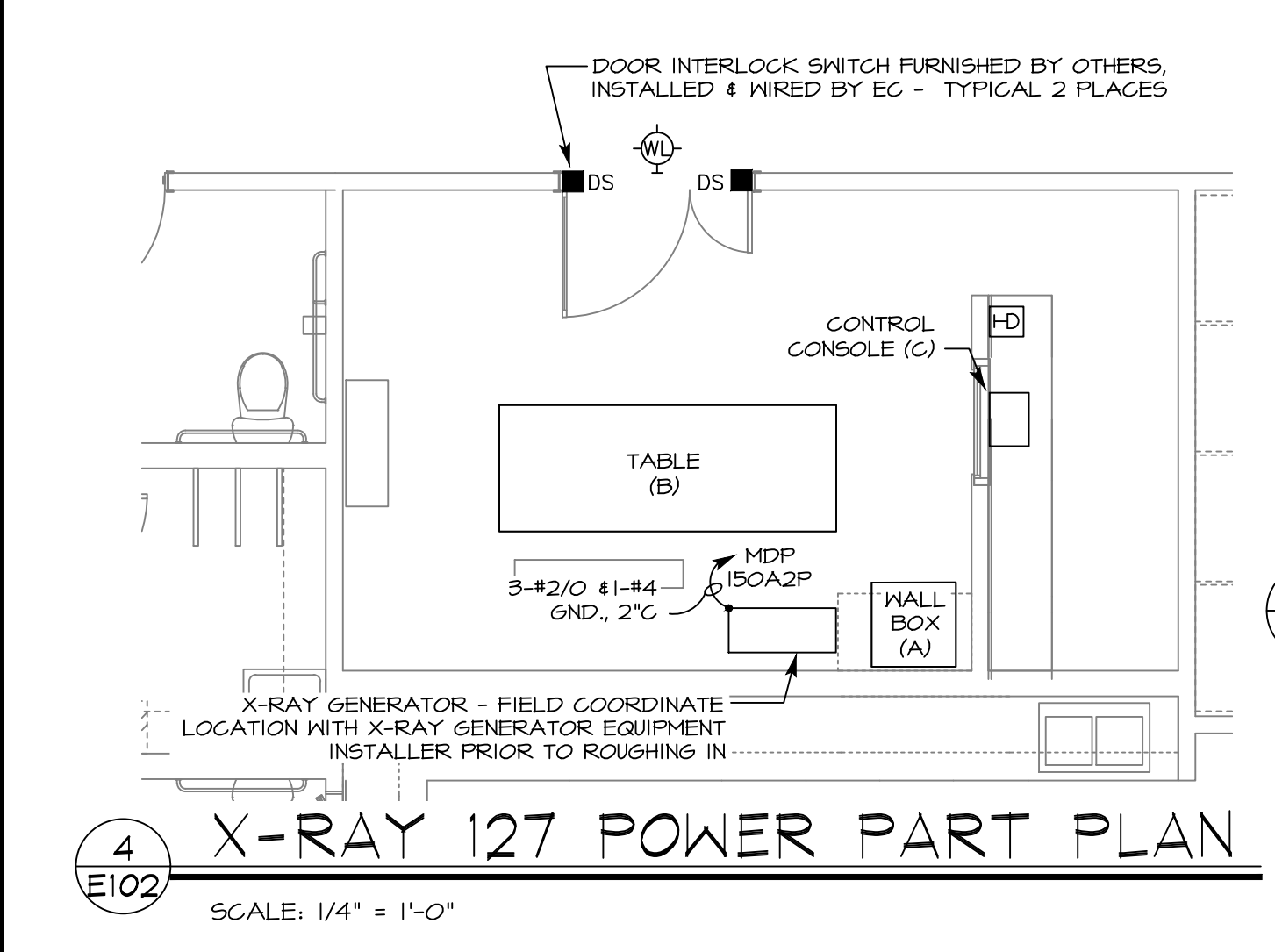
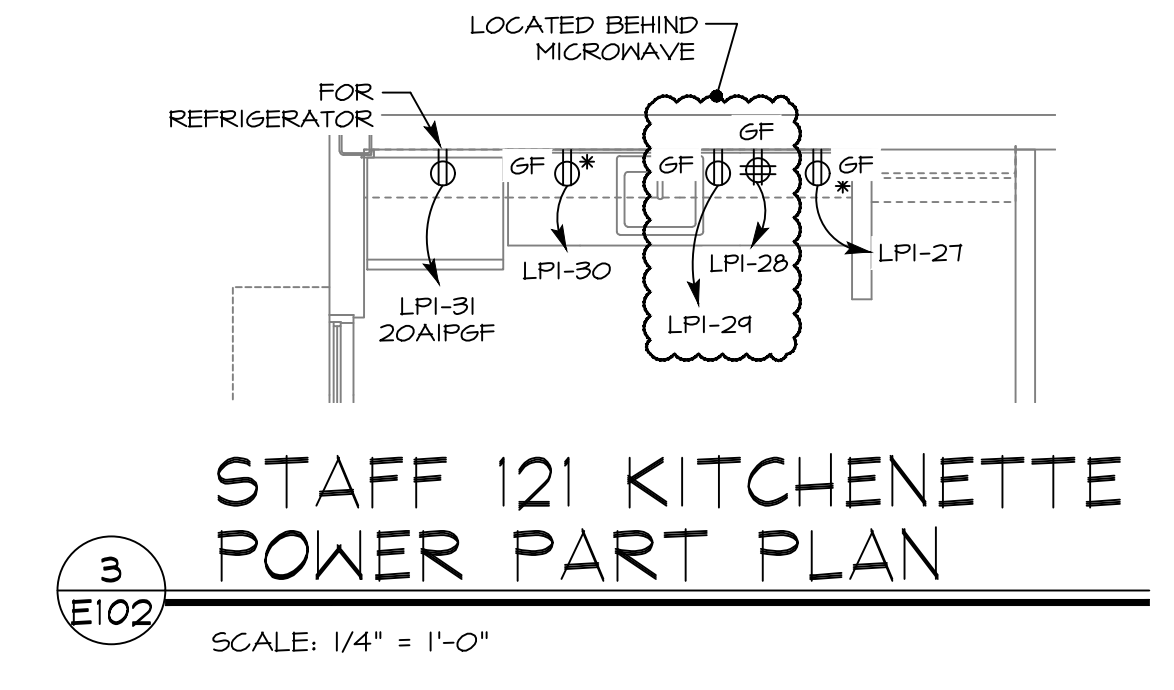
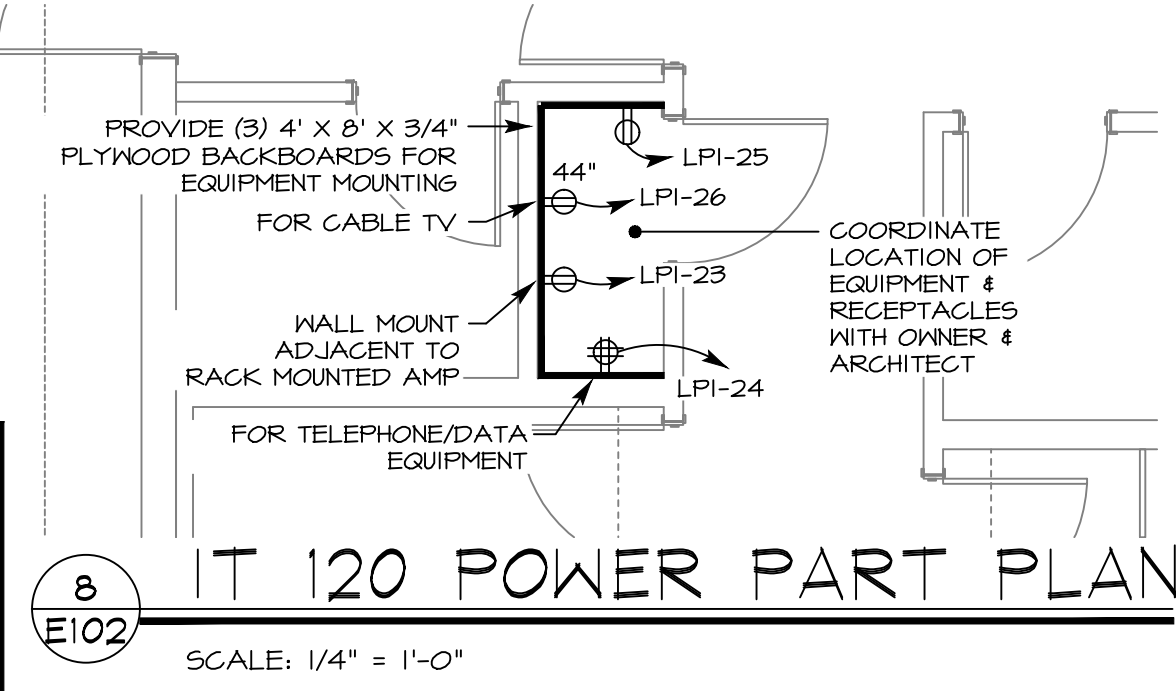
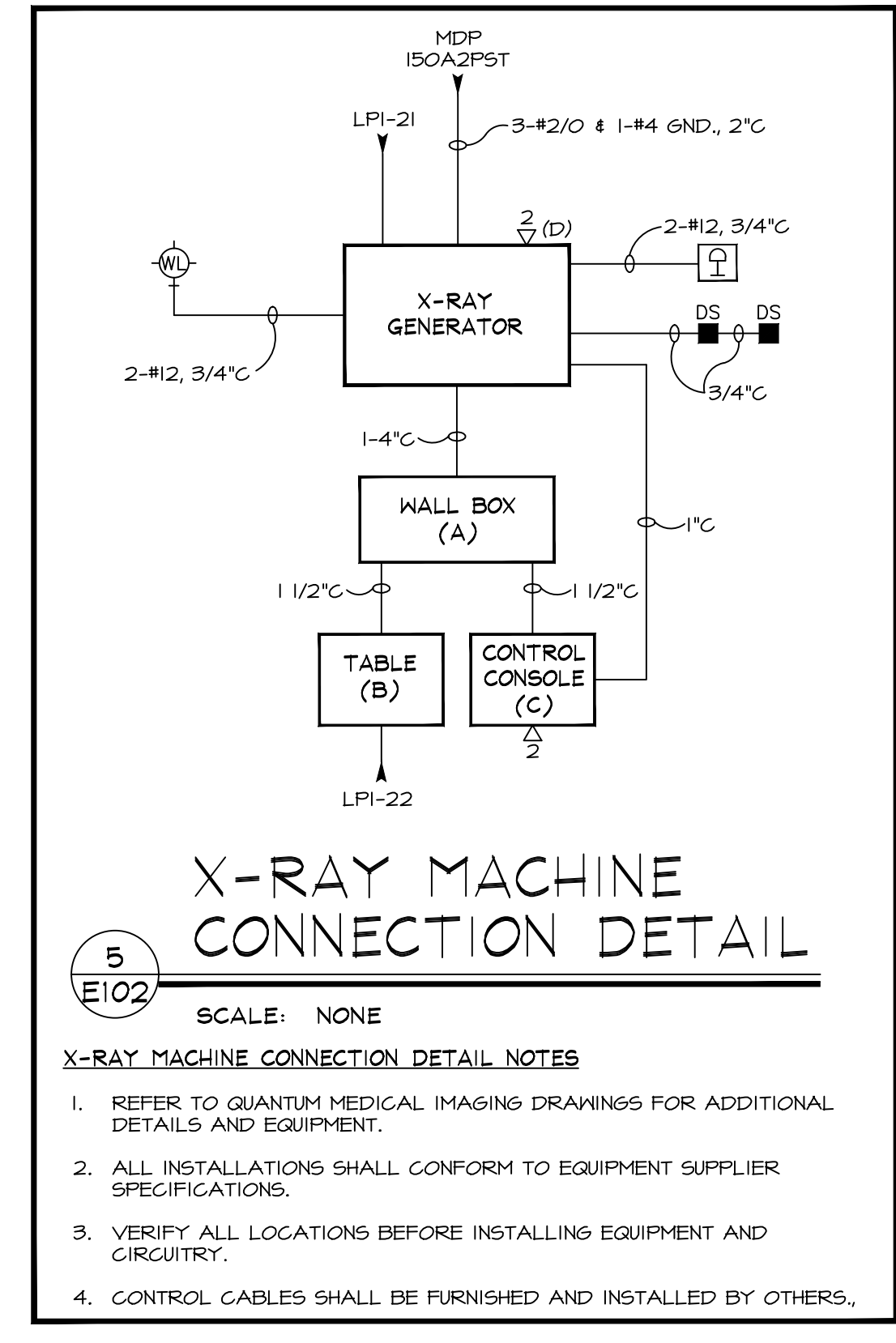


- ELECTRIC RISER NOTES**
- ALL PANELBOARDS SHALL BE FURNISHED WITH AN EQUIPMENT GROUNDING CONDUCTOR SIZED PER NEC 250.
 - THE ELECTRICAL CONTRACTOR SHALL VERIFY THE ACTUAL FAULT CURRENT WITH CMP BEFORE ORDERING EQUIPMENT.
 - ALL CONDUCTORS AND TERMINATIONS ARE BASED ON 75 DEGREES CELSIUS COPPER. CONDUIT SIZES ARE BASED ON EMT UNLESS OTHERWISE NOTED.
 - THE CENTRAL GROUND BAR SHALL HAVE STAINLESS STEEL MOUNTING BRACKETS AND STAND-OFF INSULATORS - HARGER LIGHTNING PROTECTION, INC. #58-14414B, 1/4" X 4" X 1/4" COPPER GROUND BAR WITH 7/16" HOLES SPACED VERTICALLY AND 2" HORIZONTALLY. PROVIDE WALL ANCHORS WITH MOUNTING HARDWARE APPROPRIATE FOR WALL CONSTRUCTION. MINIMUM SIZE HARDWARE SHALL BE 3/8". PROVIDE ENGRAVED NAMEPLATE THAT IS GREEN WITH 3/8" WHITE LETTERS THAT READ "CENTRAL GROUNDING BAR". MOUNT ADJACENT TO PANELBOARD MDP.

ELECTRICAL PANEL SCHEDULE

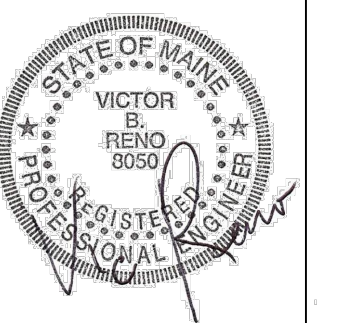
DESIGNATION	TYPE	FAULT RATING	MOUNTING	VOLTAGE	PHASE	MAINS	TOTAL POLES OR PANEL HT.	SINGLE POLE			TWO POLE			THREE POLE			SPACES
								20A	20A6F	20A SPARES	20A	30A	150A	40A	45A	50A	
MDP (SEE NOTE 1)	AQ	22,000	SURFACE	208Y/120	3	400A MCB	42	2	-	4	4	1	1	1	1	2	-
LPI	AQ	10,000	SURFACE	208Y/120	3	100A MLO	42	36	1	3	-	-	-	-	-	-	-
LP2	AQ	10,000	SURFACE	208Y/120	3	100A MLO	42	37	-	3	-	-	-	-	-	-	-

- ELECTRIC PANEL SCHEDULE NOTES**
- ALL PANELBOARDS SHALL BE FURNISHED WITH A TYPED DIRECTORY AT THE COMPLETION OF THE JOB.
 - ALL BREAKERS INSTALLED IN PANELBOARDS SHALL BE BOLT-ON TYPE.
 - ELECTRICAL PANEL SCHEDULE IS BASED ON GENERAL ELECTRIC. ACCEPTABLE SUBSTITUTES SHALL BE SQUARE D, SIEMENS (I-T-E) AND CUTLER HAMMER.
 - THE ELECTRICAL CONTRACTOR SHALL BALANCE ALL LOADS EVENLY.
 - FURNISH AND INSTALL ENGRAVED NAMEPLATES FOR PANELBOARDS, DISCONNECT SWITCHES AND OTHER ELECTRICAL ENCLOSURES. NAMEPLATES SHALL BE SCREWED OR RIVETED TO ENCLOSURES, ENGRAVED NAMEPLATE PER NEC.
 - FURNISH AND INSTALL A BREAKER LOCK ON THE CIRCUIT BREAKERS IN PANEL LPI THAT FEEDS THE SACP.
 - ALL CONDUCTORS SHOWN ON THE ELECTRIC RISER ARE BASED ON 75 DEGREE C. COPPER. CONDUIT SIZES ARE BASED ON EMT, UNLESS OTHERWISE NOTED.
 - ALL PANELS SHALL BE EQUIPPED WITH A SEPARATE GROUND BUS.
 - ALL PANELBOARDS SHALL BE FURNISHED WITH DOOR-IN-DOOR TRIM.
 - THE ELECTRICAL CONTRACTOR SHALL BE RESPONSIBLE FOR VERIFYING AND PROVIDING THE ACTUAL CIRCUIT BREAKER, FUSES, CONDUIT AND WIRE SIZE AS REQUIRED FOR ALL EQUIPMENT BEING FURNISHED BY OTHERS.
 - PROVIDE A 150 AMP, 2 POLE, SUB-FEED CIRCUIT BREAKER WITH SHUNT TRIP IN PANELBOARD "MDP" TO FEED THE X-RAY MACHINE.



Convenient MD
191 Marginal Way
Portland, Maine

RENO ENGINEERING
& LIGHT DESIGN
MARLOW, NH 03456
603.446.9426, 603.446.9731 (F)
EMAIL: renogm@renogm.com



DENNIS MIRES, P.A.
ARCHITECTS
697 Union Street, Manchester, NH
603-625-5946 FAX 603-625-1067

The material contained in these drawings and the design and construction of the project are the property of Dennis B. Mires, Professional and shall not be used, copied, or reproduced in any form without the written consent of Dennis B. Mires, Professional. Any use, reproduction, or modification of these drawings without the written consent of Dennis B. Mires, Professional, is expressly prohibited.

Floor Plan - Power
revisions:
date: 03/24/2017
proj. no.: 2014-055

E102

V:\dms\Shared\Convenient MD - Wintham-2011\0714\Arch\20110714\01\0504_Convenient MD.AC_15.pln Monday, May 21, 2012