

DESIGNER

OWNER
EARL W. NOYES & SONS
C/O PAUL URENECK

PROJECT
191 MARGINAL WAY
RETAIL CENTER

DRAWING
MECHANICAL SCHEDULES
AND DETAILS

REVISIONS

BFP PERFORMANCE SCHEDULE

TAG	SIZE	FLOW RATE (GPM)	W.P.D. (PSI)	MAX. WORK'G. TEMPERATURE (DEGREES F)	MAX. WORK'G. PRESSURE (PSI)	TESTABLE (Y) OR (N)	BASIS OF DESIGN - ZURN-WILKINS		
							BODY STYLE	SERVICE	MODEL
BFP-1	2"	15.0	15.0	180	115	Y	RPZ	WATER ENTRANCE	915XL2
BFP-2	2"	15.0	15.0	180	115	Y	RPZ	WATER ENTRANCE	915XL2

ELECTRIC WALL HEATER PERFORMANCE SCHEDULE

TAG	OUTPUT (MBH)	AIRFLOW (CFM)	MTG.HT. AFF (IN)	ELECTRICAL REQUIREMENTS		BASIS OF DESIGN - BERKO	
				KW	V/FH/Hz	SERVICE	MODEL
WH-1	5.1	100	12"	15	208/1/60	MULTIPLE	VFK404+

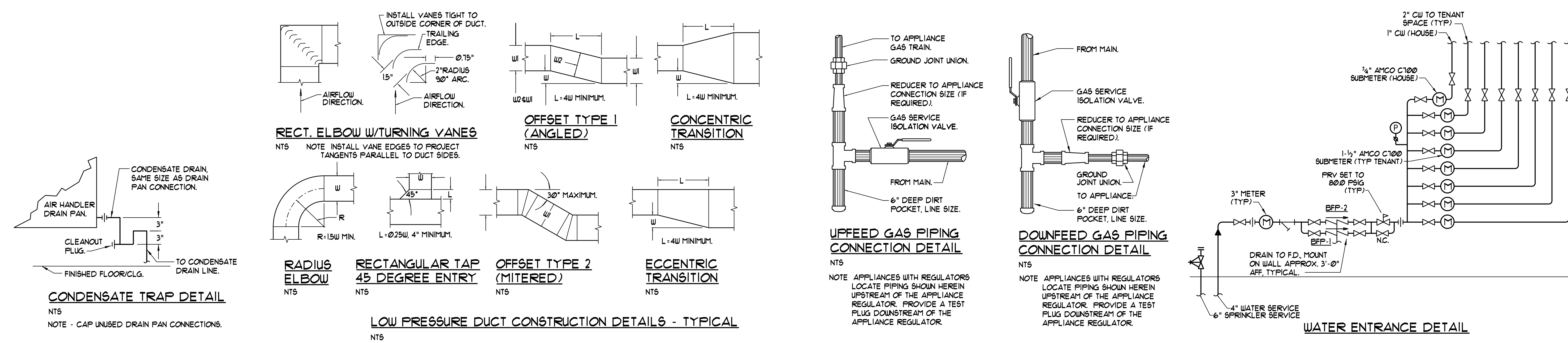
PROVIDE WITH SURFACE MOUNT FRAME

PACKAGED ROOFTOP UNIT PERFORMANCE SCHEDULE

NET AT 95°F AMBIENT
SEER

TAG	NOMINAL COOLING (TONS)	TOTAL COOLING (MBH)	SENSIBLE COOLING (MBH)	EER/EUB (°F)	TOTAL AIRFLOW (CFM)	E.S.P. (IN.WG)	SUPPLY FAN RPM	MINIMUM O.A. (CFM)	EER (BTU/H/WATT)	HEAT FUEL	HEATING INPJT (MBH)	WEIGHT W/ CURB (LBS)	TYPE OF REFRIGERANT	ELECTRICAL REQUIREMENTS			BASIS OF DESIGN - TRANE		
														FLA	MCA	MOCF	V/FH/Hz	SERVICE	MODEL
HVAC-R1	5.0	56.3	40.4	10.7/66.5	1800	0.75	1009	485	15.0	GAS	130.0	1300	R-410a	-	30.0	45.0	208/3/60	RETAIL 1	YHC060
HVAC-R2	5.0	56.4	41.0	11.3/65.1	2000	0.75	1062	210	15.0	GAS	130.0	1300	R-410a	-	30.0	45.0	208/3/60	RETAIL 2	YHC060
HVAC-R3	5.0	56.4	41.0	11.3/65.1	2000	0.75	1062	260	15.0	GAS	130.0	1300	R-410a	-	30.0	45.0	208/3/60	RETAIL 3	YHC060
HVAC-R4	5.0	56.4	41.0	11.6/65.1	2000	0.75	1062	260	15.0	GAS	130.0	1300	R-410a	-	30.0	45.0	208/3/60	RETAIL 4	YHC060
HVAC-R5	5.0	55.7	39.7	16.8/65.0	1850	0.75	987	215	15.0	GAS	130.0	1300	R-410a	-	30.0	45.0	208/3/60	RETAIL 5	YHC060
HVAC-RA1	5.0	54.3	41.0	11.6/64.5	1800	1.00	1072	400	15.0	GAS	130	1100	R-410a	-	30.0	45.0	208/3/60	RETAIL A	YHC060
HVAC-RA2	6.5	83.1	61.3	10.2/64.9	2525	1.00	1126	675	12.6	GAS	120.0	1350	R-410a	-	41.9	50.0	208/3/60	RETAIL A	YHC092
HVAC-RA3	4.0	44.3	32.7	10.3/65.0	1325	1.00	964	375	11.5 SEER	GAS	120	1050	R-410a	-	29.4	40.0	208/3/60	RETAIL A	YHC047
HVAC-RC	1.5	85.1	65.1	16.3/63.5	3300	0.75	2161	305	12.6	GAS	150.0	1600	R-410a	-	41.9	50.0	208/3/60	RETAIL C	YHC092

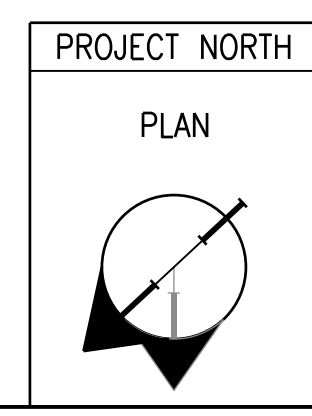
PROVIDE UNITS WITH ENTHALPHY ECONOMIZER WITH BAROMETRIC RELIEF, MODULATING GAS HEAT WITH STAINLESS STEEL HEAT EXCHANGER. PROVIDE UNITS WITH SUPPLY AND RETURN SMOKE DETECTORS.



MECHANICAL AND PLUMBING SYMBOLS AND ABBREVIATIONS LEGEND

NOTE - USE SYMBOLS AND ABBREVIATIONS AS APPLICABLE FOR THIS MECHANICAL DRAWING SET. SOME SYMBOLS AND ABBREVIATIONS IN THIS LEGEND MAY NOT APPLY.

SYMBOL	DESCRIPTION	SYMBOL	DESCRIPTION	ABBREVIATION	DESCRIPTION	ABBREVIATION	DESCRIPTION	ABBREVIATION	DESCRIPTION	ABBREVIATION	DESCRIPTION
	GAS PIPING (G)		PRESSURE GAGE WITH GAGE COCK	AAV	AUTOMATIC AIR VENT	EDB	ENTERING DRY BULB	I-B-R	INSTITUTE OF BOILER AND RADIATOR MANUFACTURERS	RLA	RUNNING LOAD AMPS
	PIPE CAP		THERMOMETER IN WELL	AD	ACCESS DOOR	EDC*	ELECTRIC DUCT COIL TAG	IN.	INCHES	RPM	REVOLUTIONS PER MINUTE
	DIRECTION OF FLUID FLOW		WATER FLOW SWITCH	AF	ABOVE FINISHED FLOOR	EER	ENERGY EFFICIENCY RATIO	L-*	LOUVER TAG	RPS	REVOLUTIONS PER SECOND
	ELBOW UP		PRESSURE SWITCH OR SENSOR	AHU-*	AIR HANDLING UNIT TAG	EF-*	EXHAUST FAN TAG	LAT	LEAVING AIR TEMPERATURE	RPZ	REDUCED PRESSURE ZONE
	ELBOW DOWN		ENTHURSION TEMPERATURE SENSOR	AMS	AIRFLOW MONITORING STATION	EFF	EFFICIENCY	LBS	POUNDS	RTU	ROOM TEMPERATURE SENSOR
	PIPE TEE UP		DUCT MOUNTED SMOKE DETECTOR	AMPS	AMPERES	ESP	EXTERNAL STATIC PRESSURE	LB	POUNDS	RV	RELIEF VALVE
	PIPE TEE DOWN		ROOM TEMPERATURE SENSOR	AP	ACCESS PANEL	ET-*	EXPANSION TANK TAG	LIWS/R	LOOP WATER SUPPLY/RETURN	RUL	RAINWATER LEADER
	PIPE REDUCER		THERMOSTAT OR SENSOR ON WALL	APD	AIR PRESSURE DROP	EUB	ENTERING WET BULB	LRA	LOCKED ROTOR AMPS	SA	SUPPLY AIR
	PIPE WITH GUIDE		TSTAT OR SENSOR W/ TAMPERPROOF GUARD	AR	ACID RESISTANT PIPING	EUH-*	ELECTRIC WATER HEATER TAG	LWCO	LOW WATER CUTOFF	SAN	SANITARY (DRAIN & WASTE)
	PIPE WITH ANCHOR		MANUAL AIR VENT	AS-*	AIR SEPARATOR TAG	EUT	ENTERING WATER TEMPERATURE	LWT	LEAVING WATER TEMPERATURE	SD	SMOKE DAMPER
	BUTTERFLY VALVE		NOTE TAG (NUMBER)	ATC	AUTOMATIC TEMPERATURE CONTROL	EXG	EXISTING	MAX	MAXIMUM	SEER	SEASONAL ENERGY EFFICIENCY RATIO
	OS & Y GATE VALVE		AIR DEVICE TAG (LETTER) WITH CFM	BFP-*	BACKFLOW PREVENTER TAG	EXH	EXHAUST	MBH	THOUSANDS OF BTU PER HOUR	SF	SUPPLY FAN
	CHECK VALVE		ROOM NUMBER	BHP	BRAKE HORSEPOWER	FC	FLEXIBLE CONNECTION	MCA	MINIMUM CIRCUIT AMPACITY	SP	STATIC PRESSURE
	BALANCING VALVE (ADJUSTABLE)		TURNING VANES	BTUH	BRITISH THERMAL UNITS PER HOUR	FCO	FLOOR CLEANOUT	MIN	MINIMUM	SQFT	SQUARE FEET
	AUTOMATIC FLOW CONTROL VALVE		DUCT W/MANUAL DAMPER	CC-*	COOLING COIL TAG	FD	FIRE DAMPER	NC	NOISE CRITERION	ΔT	TEMPERATURE DIFFERENTIAL
	RELIEF VALVE (RV)		DUCT W/FLEXIBLE CONNECTION (FC)	CFM	CUBIC FEET PER MINUTE	FD-*	FLOOR DRAIN TAG	NOT IN CONTRA	NOT IN CONTRACT	TEMP.	TEMPERATURE
	BALL VALVE		LAGGED DUCT	CO	CLEANOUT	FLA	FULL LOAD AMPS	NTS	NOT TO SCALE	TCP	TEMPERATURE CONTROL PANEL
	3/4" BALL VALVE WITH 3/4" HOSE END		DUCT W/ACOUSTIC LINING	CF-*	CIRCULATING PUMP TAG	FPFB	FROST PROOF HOSE BIBB	OA	OUTSIDE AIR	TMV-*	THERMOSTATIC MIXING VALVE TAG
	GATE VALVE		DUCT W/SQUARE-TO-ROUND TRANSITION	Cv	VALVE COEFFICIENT	FFM	FEET PER MINUTE	OBD	OPPOSED BLADE DAMPER	TSP	TOTAL STATIC PRESSURE
	PRESSURE REDUCING VALVE		FLEXIBLE DUCT	CW	COLD WATER	FSD	COMBINATION FIRE & SMOKE DAMPER	OD.	OUTSIDE DIAMETER	TYP	TYPICAL
	FUSIBLE VALVE		MOTOR OPERATED DAMPER	DB	DRY BULB	FT	FEET	OED	OPEN ENDED DUCT	UH-*	UNIT HEATER TAG
	STRAINER W/BLOWDOWN BALL VALVE		AIRFLOW OUT	DC	DOUBLE CHECK	GA.	GAGE	OEP	OVERCURRENT PROTECTIVE DEVICE	VB	VACUUM BREAKER
	UNION		AIRFLOW IN	DCA	DOUBLE CHECK ATMOSPHERIC	GAL	GALLONS	PF-*	PLUMBING FIXTURE TAG	VFD	VARIABLE FREQUENCY INVERTER DRIVE
	PIPE FLANGE		DIAMETER OR FLAT OVAL	DEG F	DEGREES FAHRENHEIT	GPH	GALLONS PER HOUR	PENETN	PENETRATION	VTR	VENT THRU ROOF
	FLEXIBLE PIPE CONNECTION (FC)		FIRE DAMPER	DIA	DIAMETER	GPM	GALLONS PER MINUTE	FF-*	FAN FAN TAG	V/FH/Hz	VOLTS/PHASES/HERTZ
	PITCH DOWN		ROUND OR FLAT OVAL DUCT DOWN	DINW	DIAMETER IN WALL	HC-*	HEATING COIL TAG	PSIA	POUNDS PER SQUARE INCH ABSOLUTE	WB	WET BULB
	PETCOCK		ROUND OR FLAT OVAL DUCT UP	DN	DOWN	HP	HORSEPOWER	PSIG	POUNDS PER SQUARE INCH GAGE	WCO	WALL CLEANOUT
			SUPPLY DIFFUSER	EA	EXHAUST AIR	HRV-*	HEAT RECOVERY VENTILATOR TAG	PVC	POLYVINYL CHLORIDE (PIPE)	WG	WATER GAGE
			RETURN GRILLE	EW	ENTERING AIR TEMPERATURE	HU	HOT WATER	RA	RETURN AIR	WFD	WATER PRESSURE DROP
			STEAM TRAP	EAT	ENTERING AIR TEMPERATURE	HUS/R	HOT WATER SUPPLY AND RETURN	RD	ROOF DRAIN	WSA	WIRE SIZING AMPS
			WATER HAMMER ARRESTOR					RDE	RECOMMENDED DUAL ELEMENT FUSE AMPS	WTD	WATER TEMPERATURE DROP
								RHW	RECIRCULATED HOT WATER	W	WITH



PROJECT NORTH

PLAN

DRAWING NUMBER
M2.10

SCALE:
DATE: 02/21/2017