



CWS ARCHITECTS
ARCHITECTURE | INTERIOR DESIGN
264 U.S. ROUTE ONE
BOX 6, SUITE 100-2A
SCARBOROUGH, MAINE 04074
207-774-4441
WWW.CWSARCH.COM

OWNER
EARL W. NOYES & SONS
C/O PAUL URENECK

PROJECT
191 MARGINAL WAY
RETAIL CENTER

4600 MAYFLOWER HILL
WATERVILLE, ME 04901
T: 207-859-4617

DRAWING
WINDOW AND
STOREFRONT DETAILS

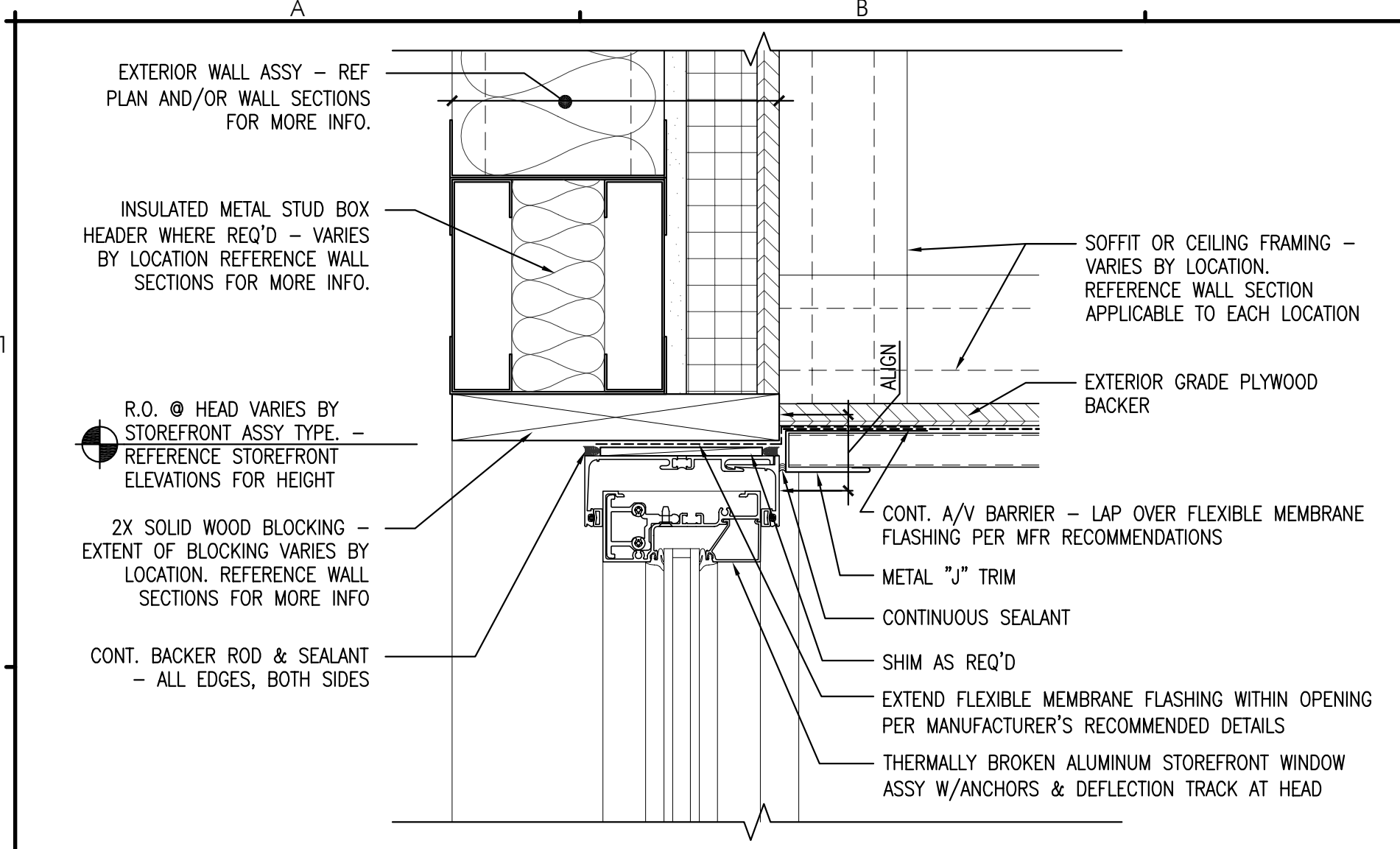
CWS PROJECT NUMBER: 15.063

REVISIONS

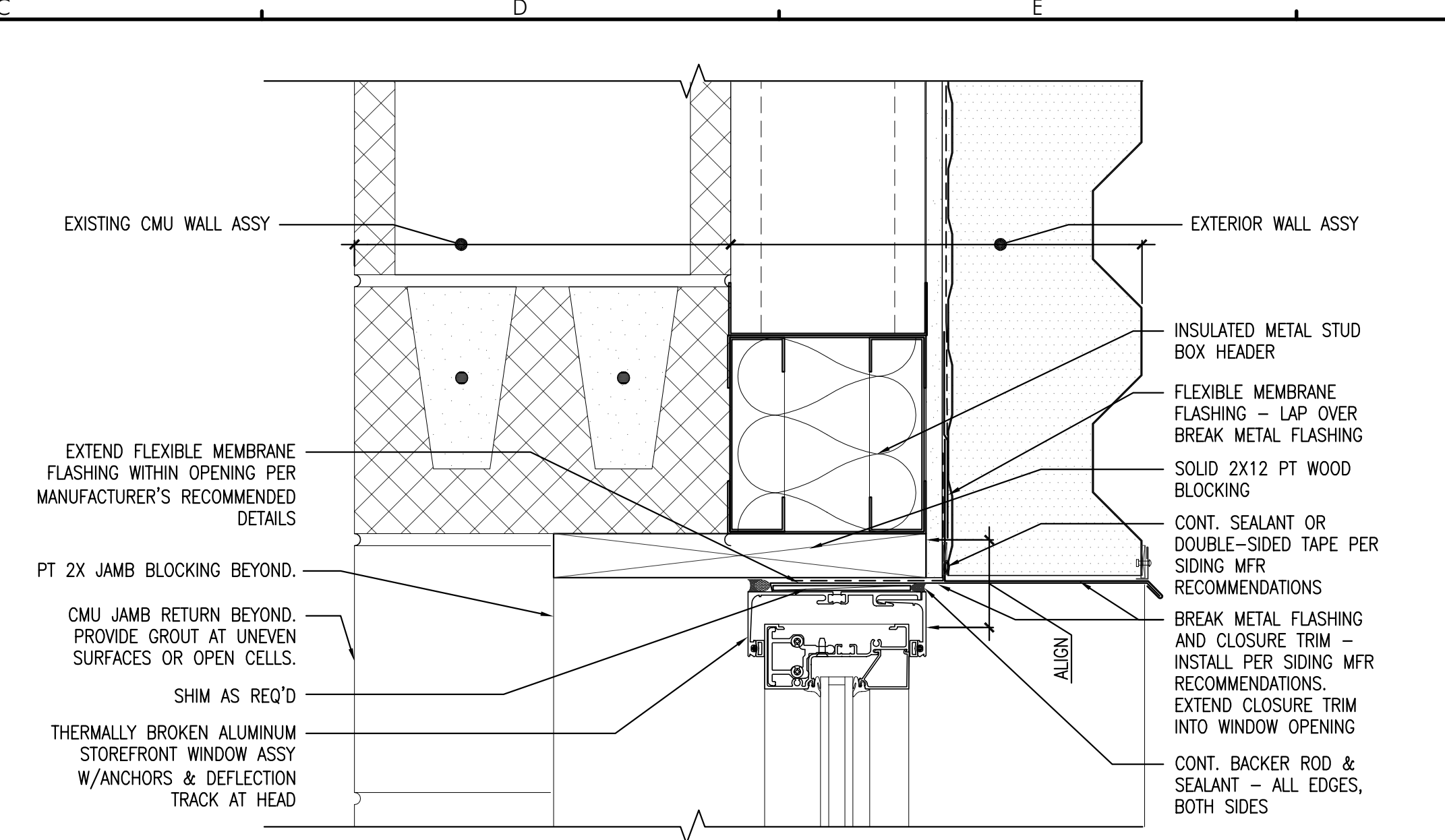
02/21/2017	
ADDENDUM 01	

DRAWING NUMBER
A8.10

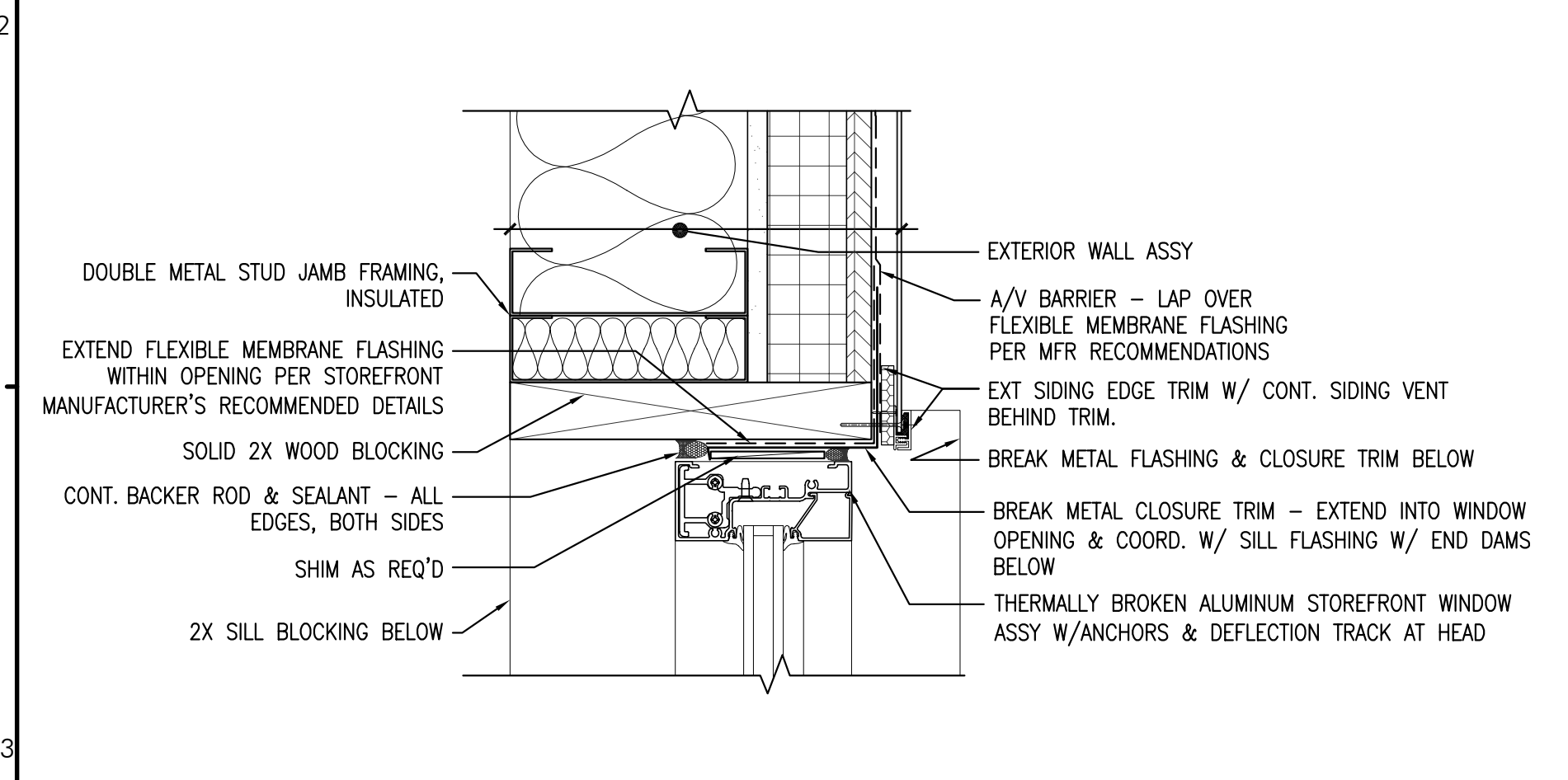
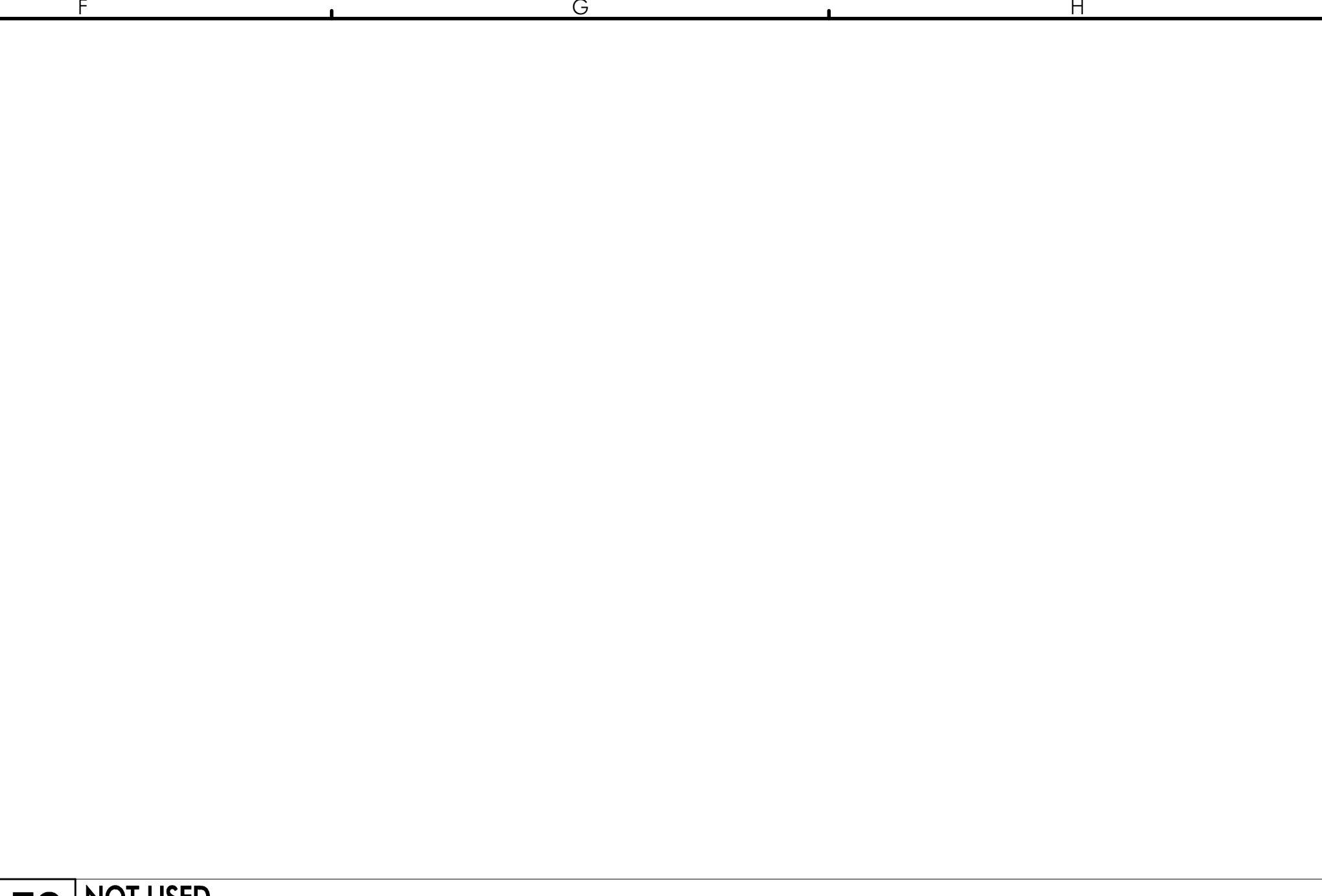
SCALE: AS NOTED
DATE: 02/10/2017



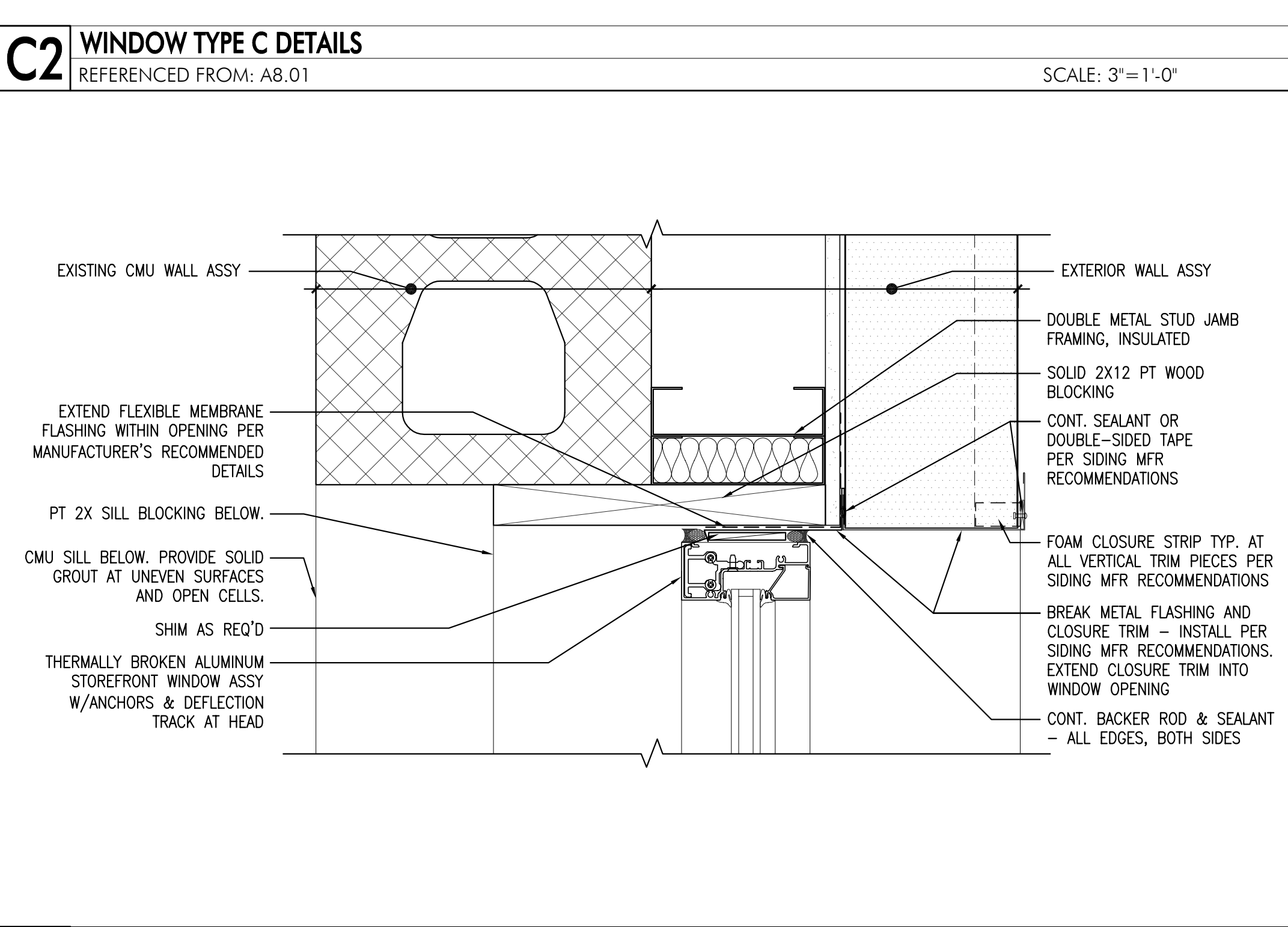
A2 TYPICAL STOREFRONT HEAD DETAIL
REFERENCED FROM: A8.01 & A8.02
SCALE: 3"=1'-0"



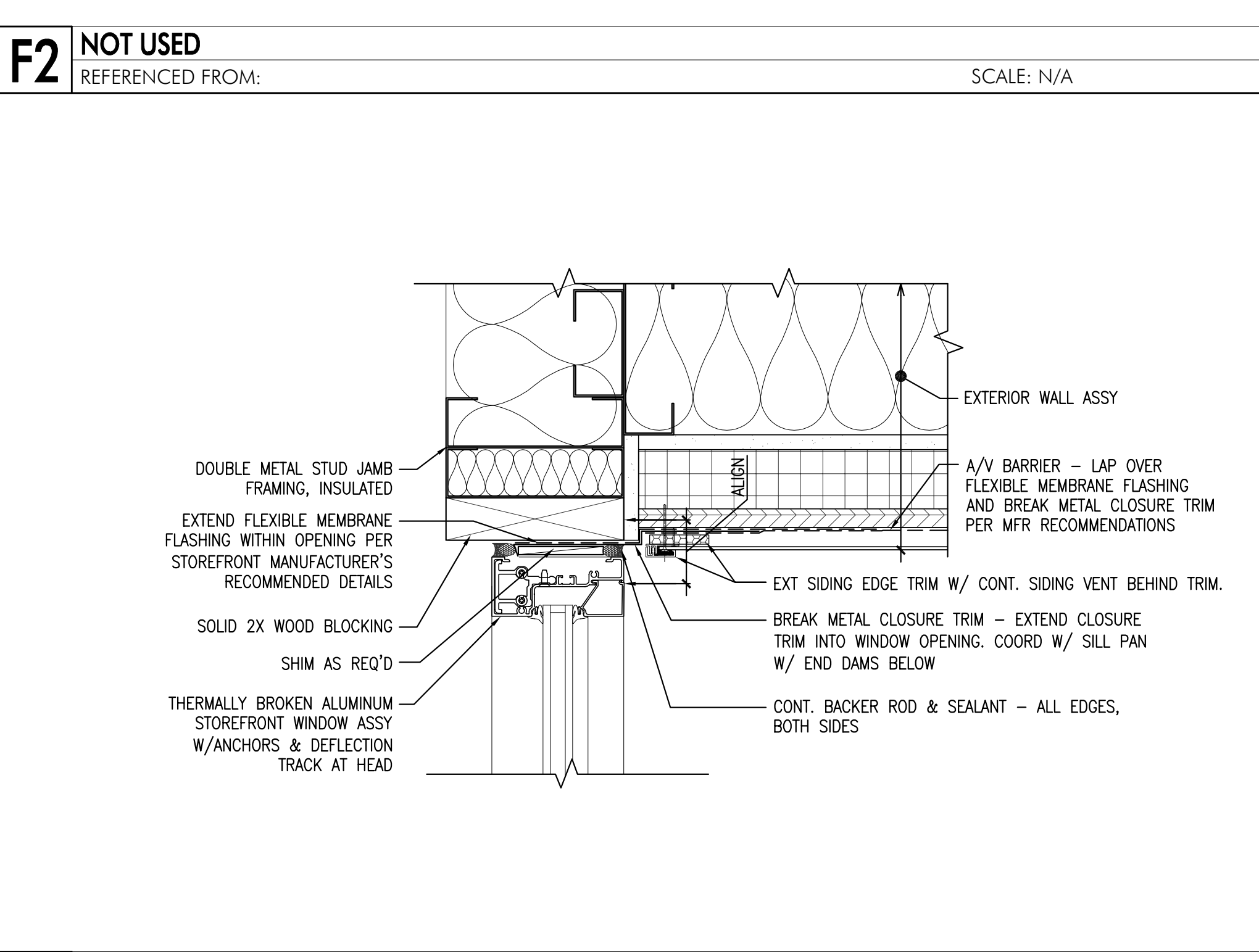
C2 WINDOW TYPE C DETAILS
REFERENCED FROM: A8.01
SCALE: 3"=1'-0"



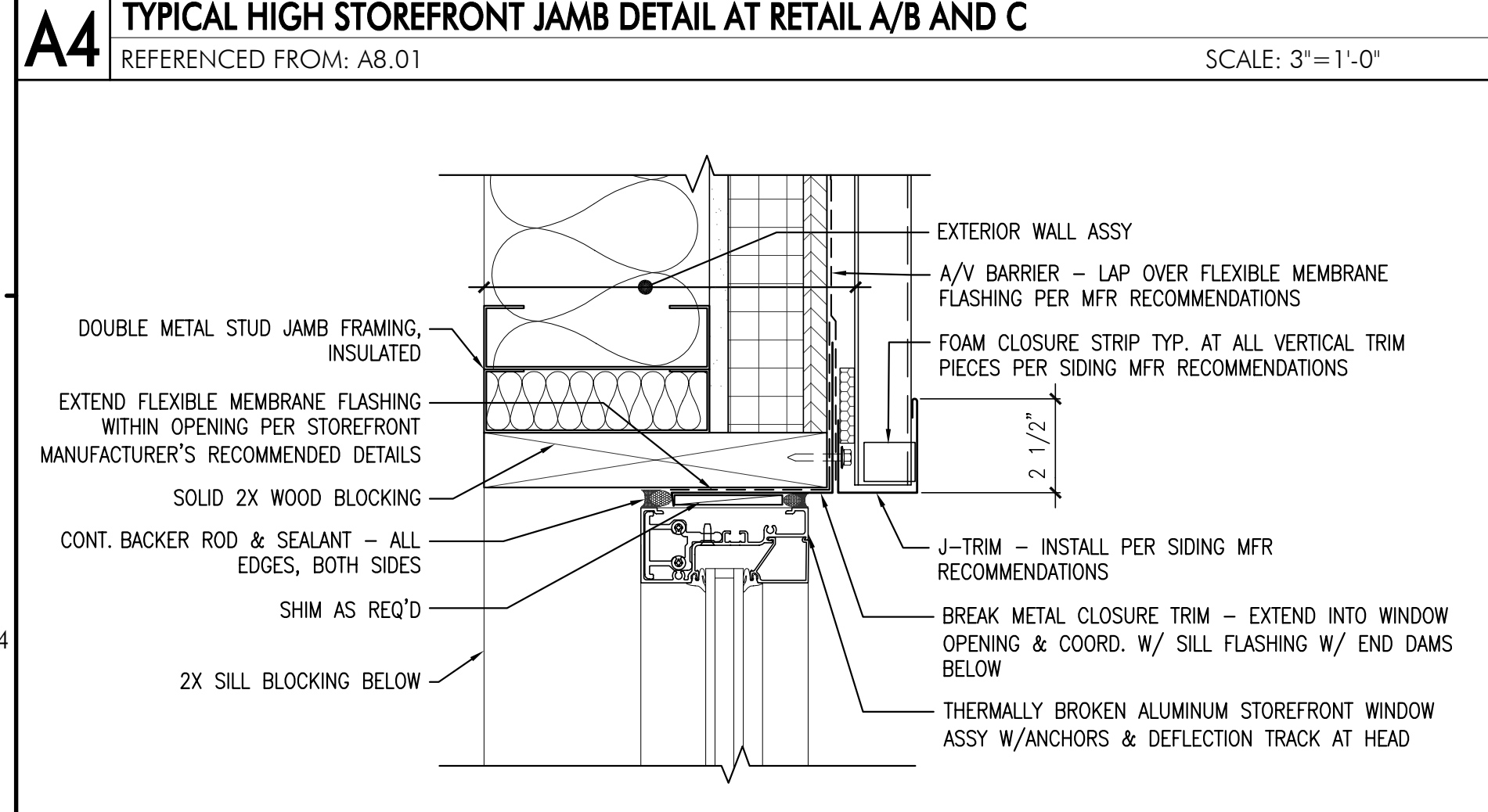
A4 TYPICAL HIGH STOREFRONT JAMB DETAIL AT RETAIL A/B AND C
REFERENCED FROM: A8.01
SCALE: 3"=1'-0"



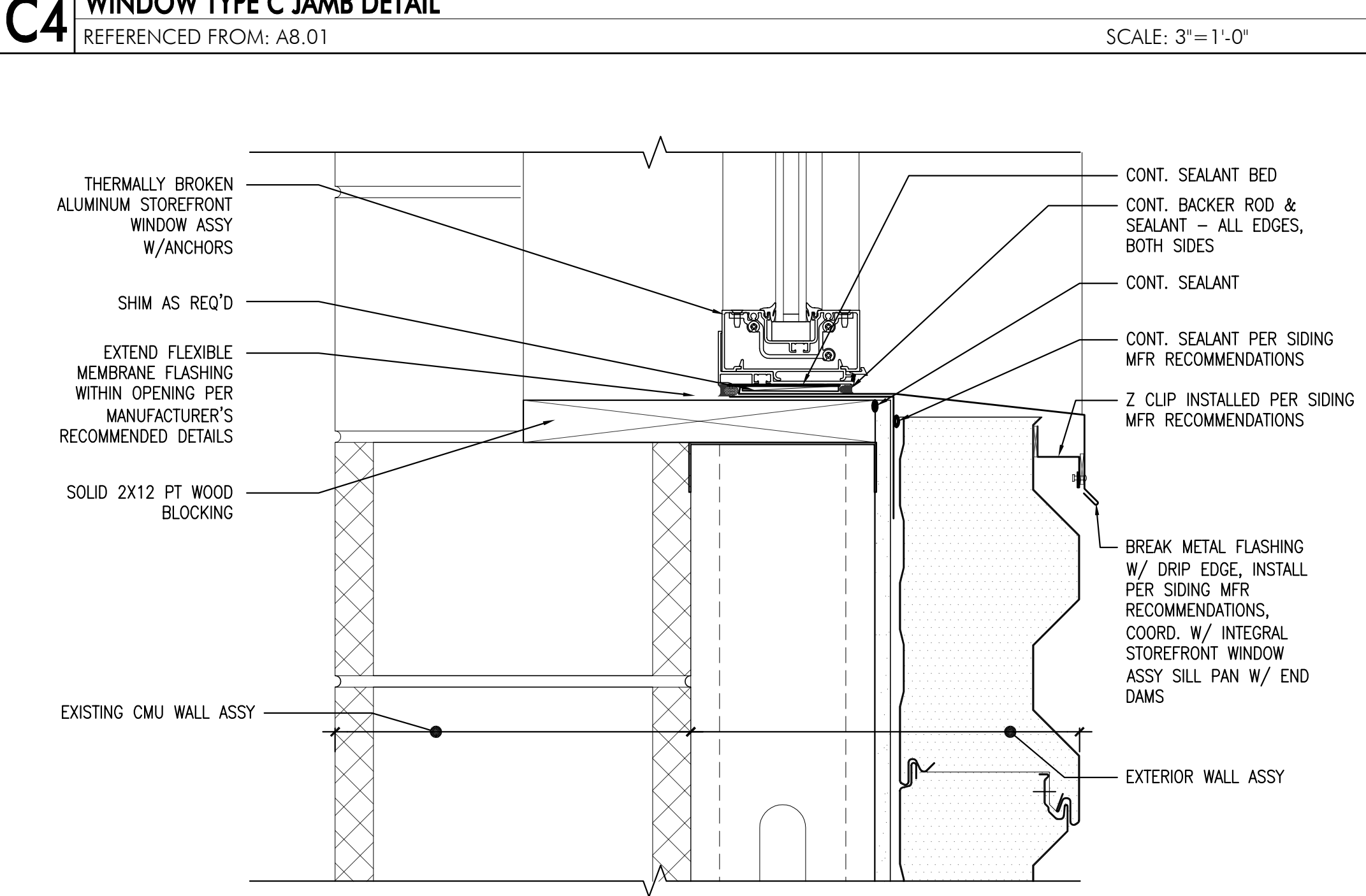
C4 WINDOW TYPE C JAMB DETAIL
REFERENCED FROM: A8.01
SCALE: 3"=1'-0"



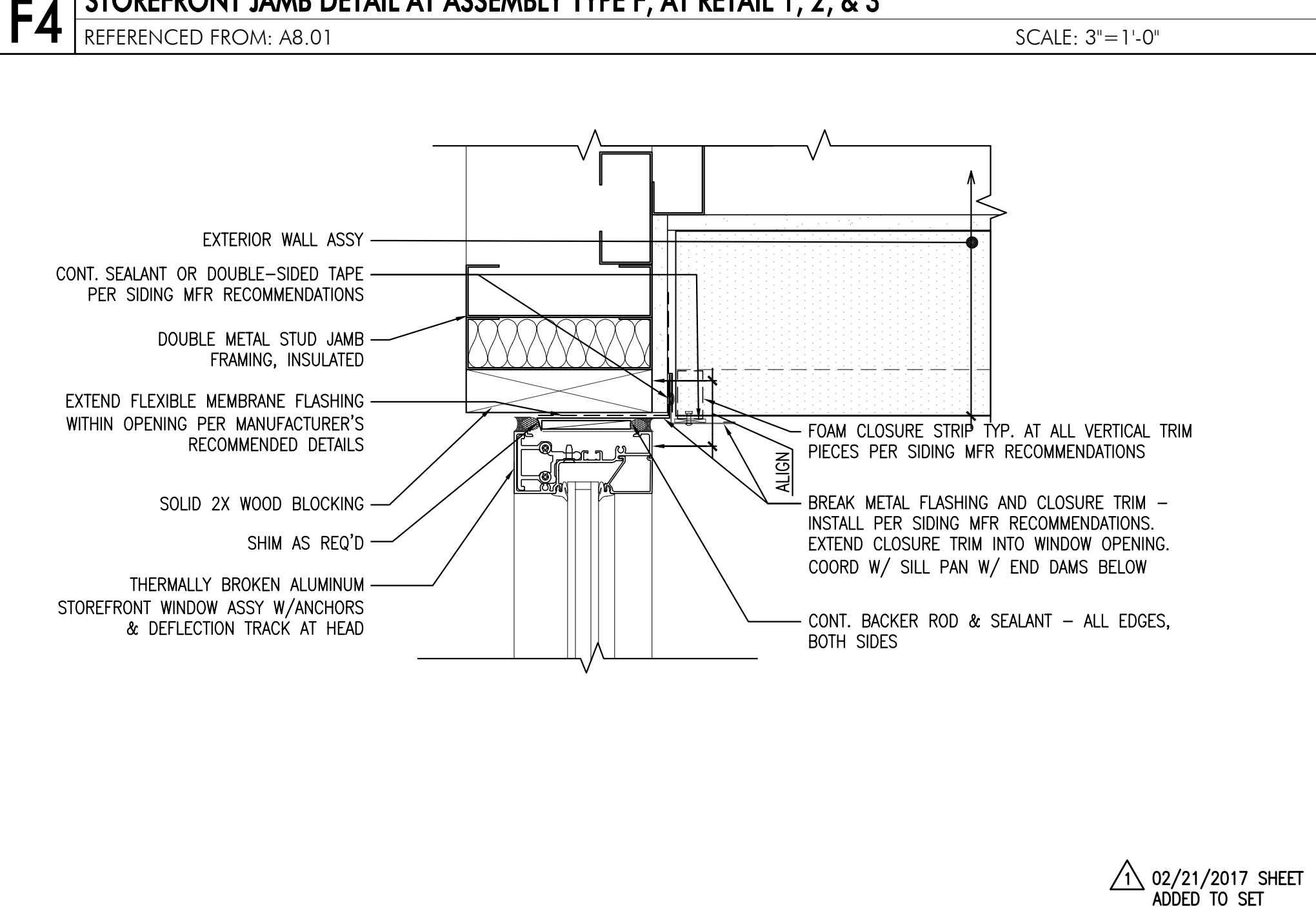
F4 STOREFRONT JAMB DETAIL AT ASSEMBLY TYPE F, AT RETAIL 1, 2, & 3
REFERENCED FROM: A8.01
SCALE: 3"=1'-0"



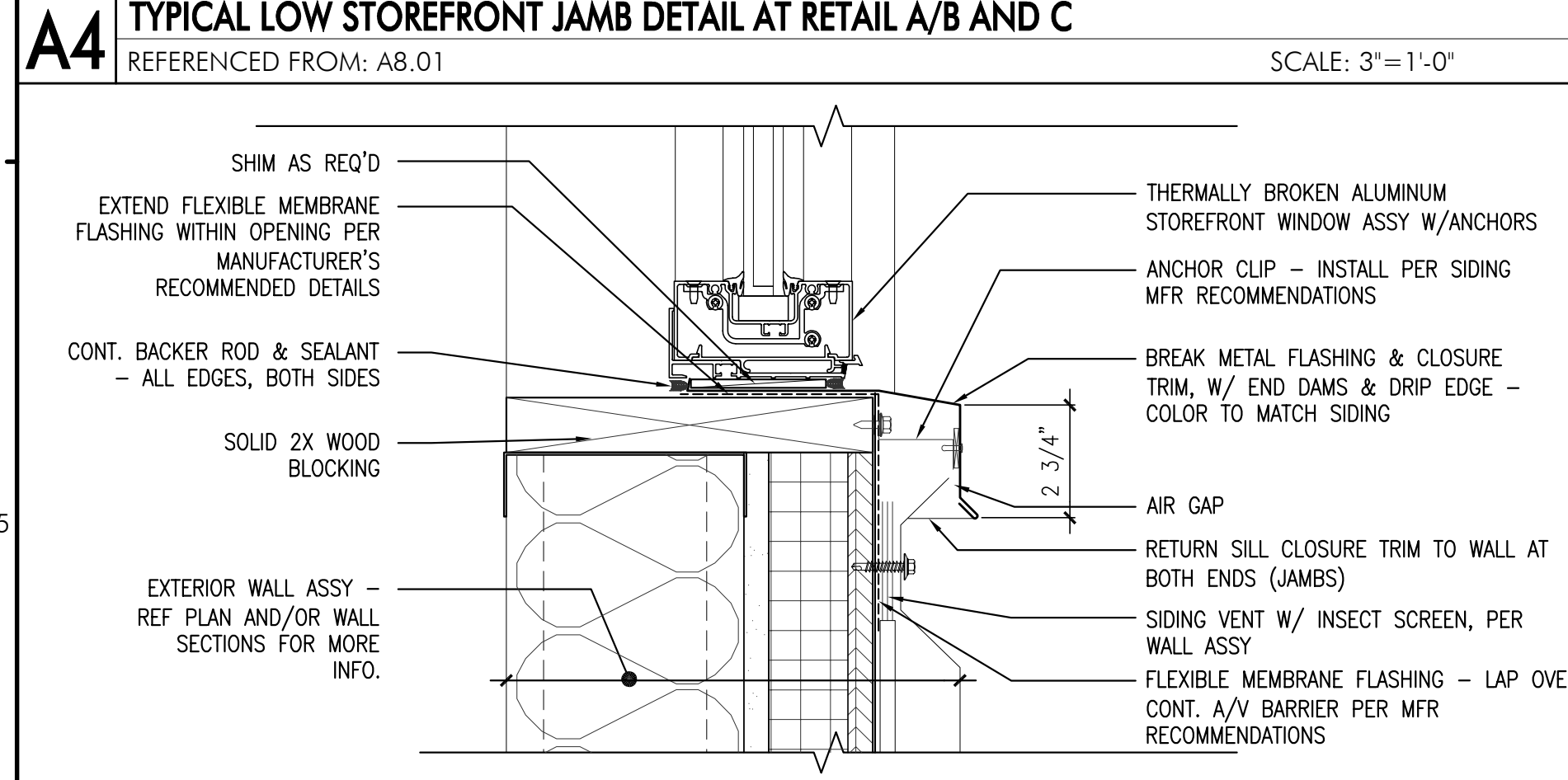
A4 TYPICAL LOW STOREFRONT JAMB DETAIL AT RETAIL A/B AND C
REFERENCED FROM: A8.01
SCALE: 3"=1'-0"



C5 WINDOW TYPE C SILL DETAIL
REFERENCED FROM: A8.01
SCALE: 3"=1'-0"



F5 STOREFRONT JAMB DETAIL AT ASSEMBLY TYPE F, AT RETAIL 4 & 5
REFERENCED FROM: A8.01
SCALE: 3"=1'-0"



A5 TYPICAL WINDOW SILL DETAIL AT RETAIL A/B
REFERENCED FROM: A8.01
SCALE: 3"=1'-0"

02/21/2017 SHEET
ADDED TO SET

© 2015 Design Projects, LLC. All Rights Reserved. CWS Architects, Inc. is a registered professional architectural firm in the State of Maine. CWS Architects, Inc. is not responsible for the accuracy of the information provided on this drawing.