



CWS ARCHITECTS
ARCHITECTURE | INTERIOR DESIGN
264 U.S. ROUTE ONE
BOX 6, SUITE 100-2A
SCARBOROUGH, MAINE 04074
F: 207.774.4441
WWW.CWSARCH.COM

OWNER
EARL W. NOYES & SONS
C/O PAUL URENECK
4600 MAYFLOWER HILL
WATERVILLE, ME 04901
T: 207-859-4617

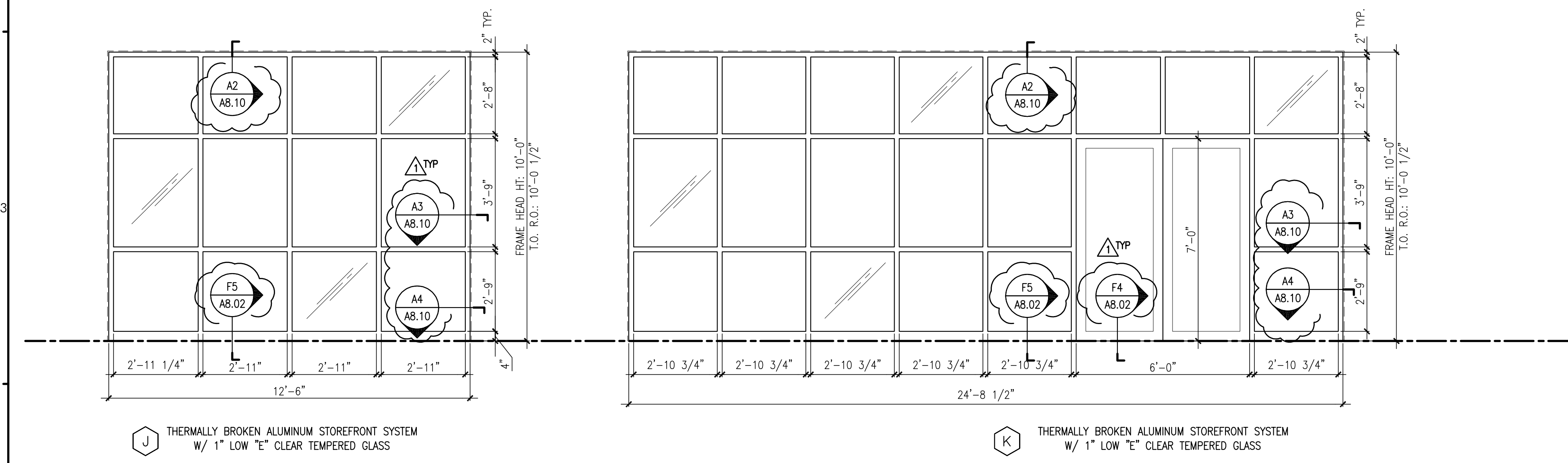
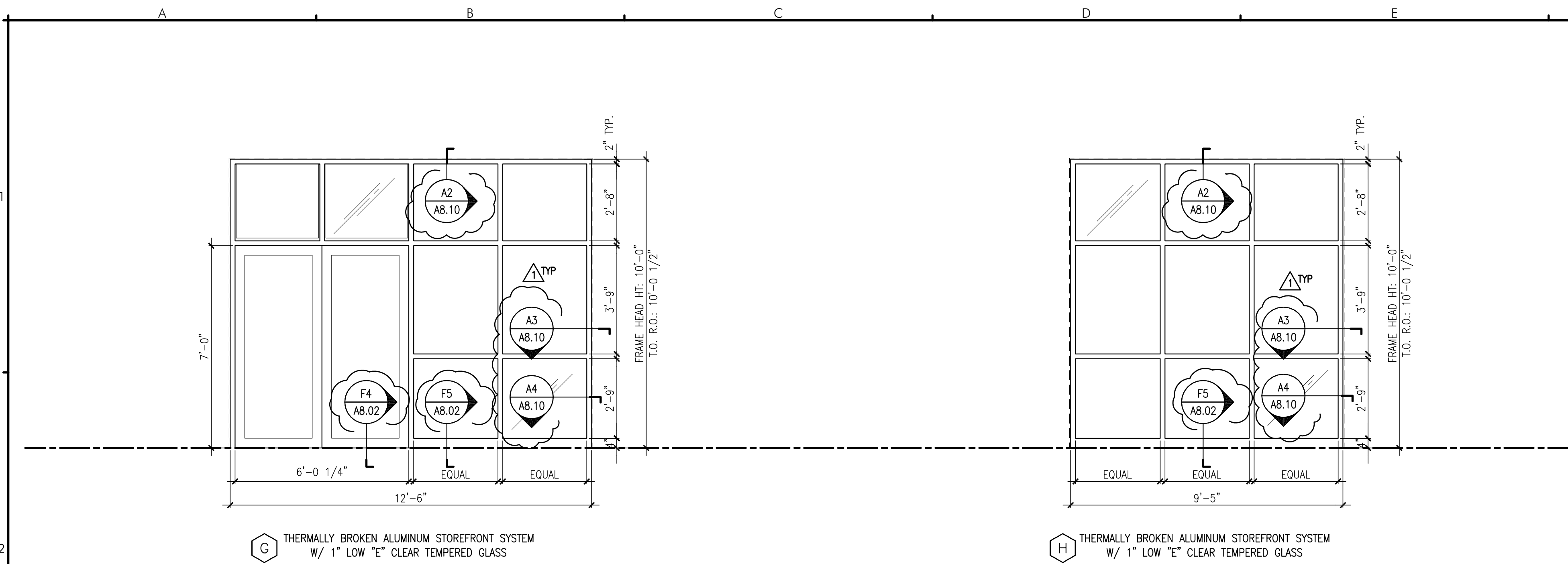
PROJECT
191 MARGINAL WAY
RETAIL CENTER
191 MARGINAL WAY
PORTLAND, MAINE 04101

DRAWING
STOREFRONT & DOOR
ELEVATIONS
CWS PROJECT NUMBER: 15.063

REVISIONS	DATE	DESCRIPTION
02/21/2017		
ADDENDUM 01		

DRAWING NUMBER
A8.02

SCALE: AS NOTED
DATE: 02/10/2017

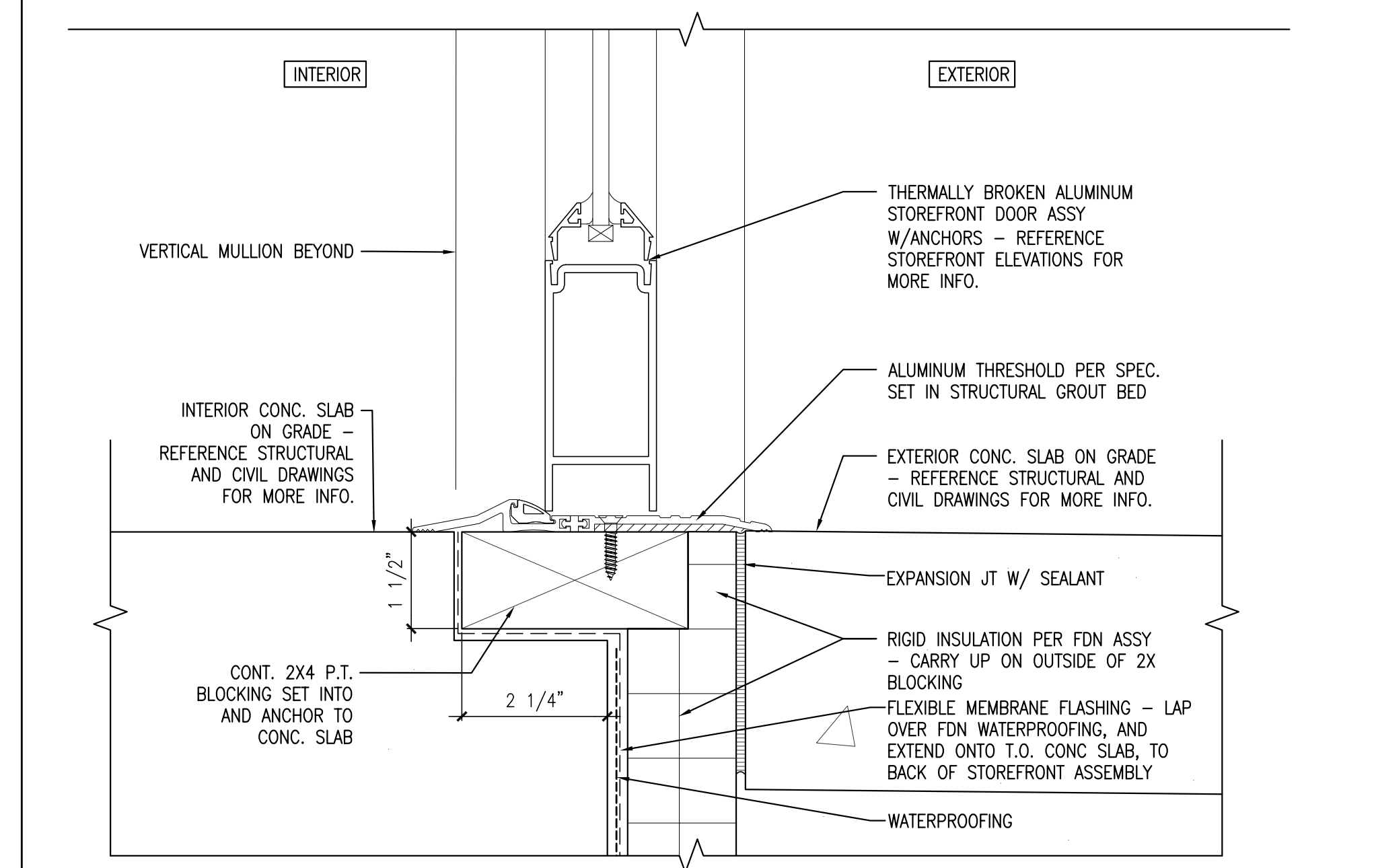


02/21/2017 ADD DETAIL
CALLOUTS AND SILL AND
THRESHOLD DETAILS

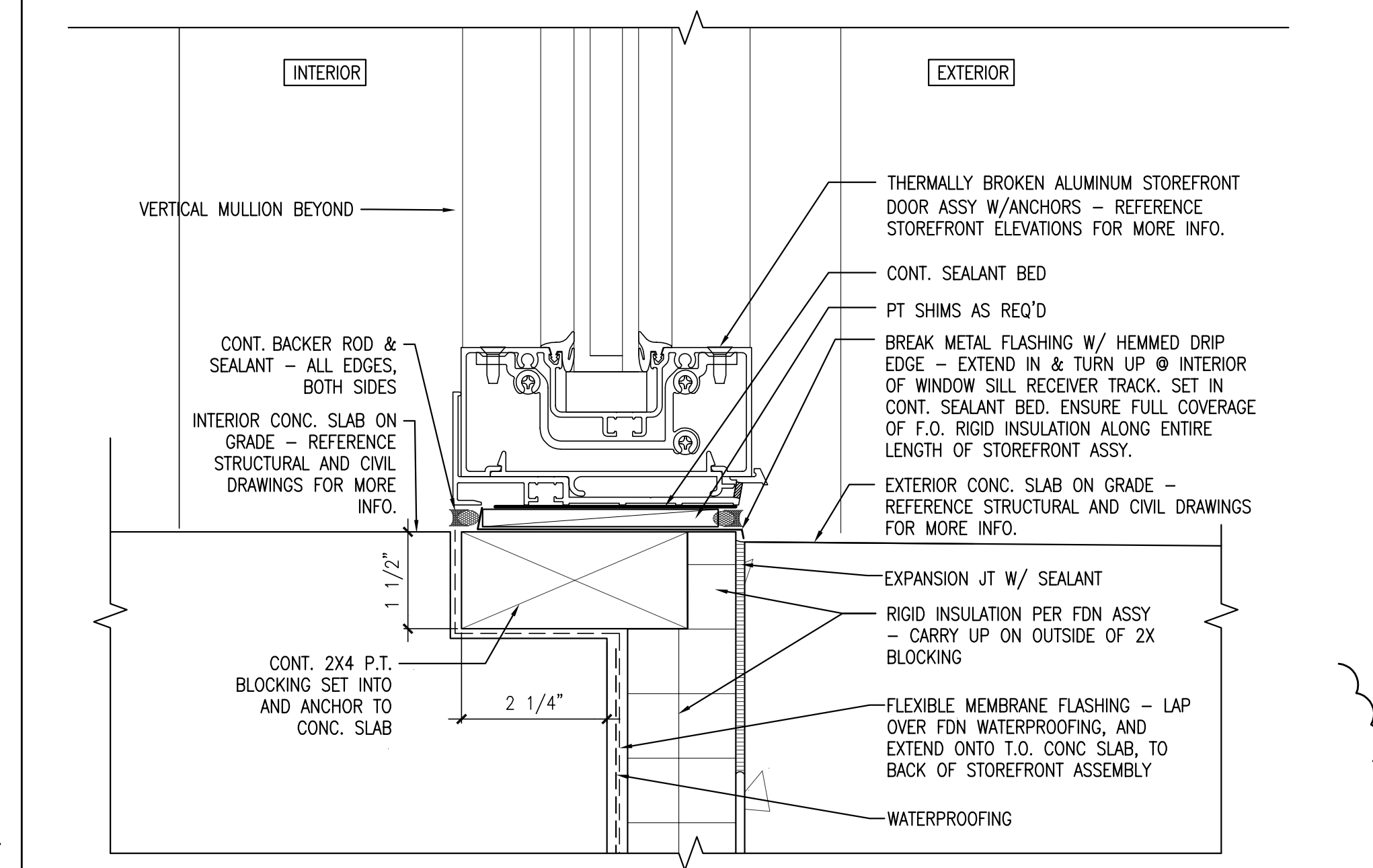
A5 STOREFRONT ELEVATIONS
REFERENCED FROM:

SCALE: 3/8" = 1'-0"

F2 STOREFRONT SIDELIGHT SILL DETAIL AT STOREFRONT ASSEMBLY TYPE F
REFERENCED FROM: A8.01 & A8.02 SCALE: 6" = 1'-0"



F4 TYPICAL DOOR SILL DETAIL AT RETAIL A/B & C
REFERENCED FROM: A8.01 & A8.02 SCALE: 6" = 1'-0"



F5 TYPICAL STOREFRONT SIDELIGHT SILL DETAIL
REFERENCED FROM: SCALE: 6" = 1'-0"