

DESIGNER

OWNER

PROJECT

DRAWING

REVISIONS

EARL W. NOYES & SONS
C/O PAUL URENECK

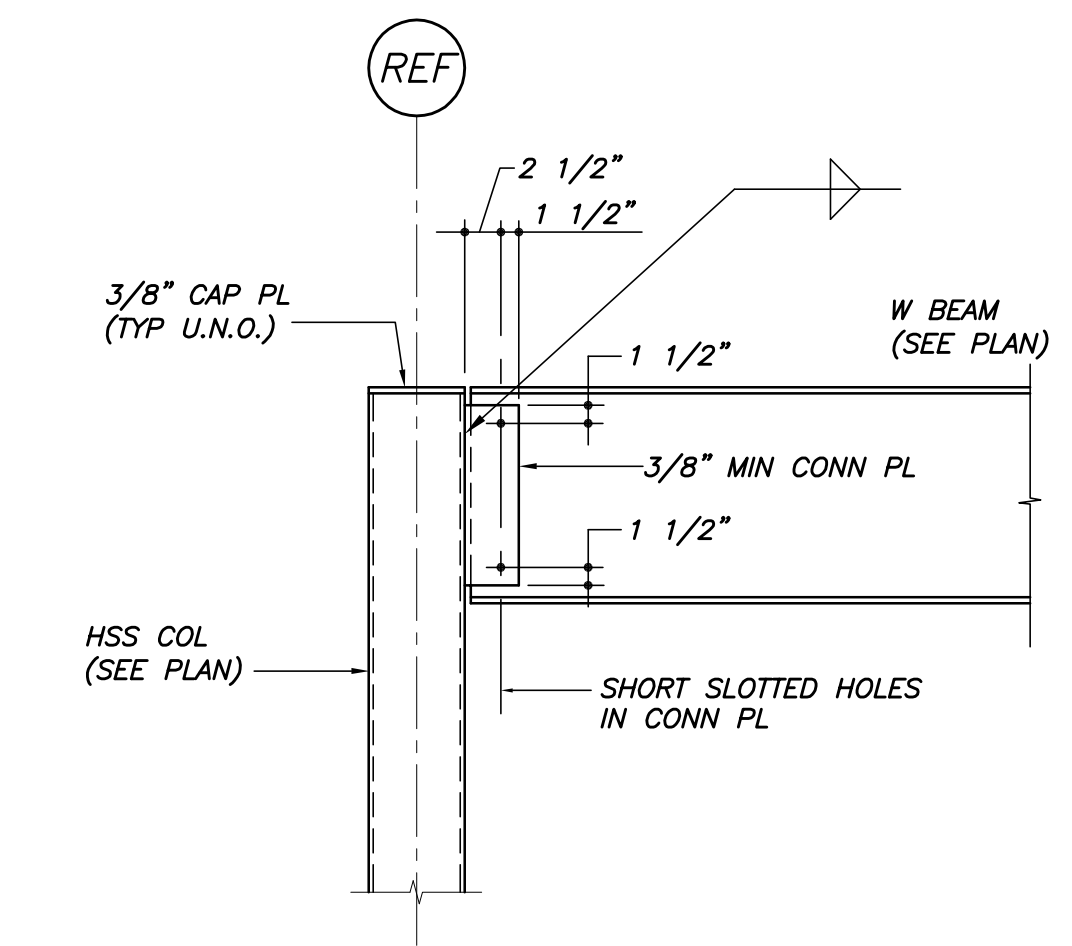
191 MARGINAL WAY
RETAIL CENTER

TYPICAL FRAMING
SECTIONS AND DETAILS

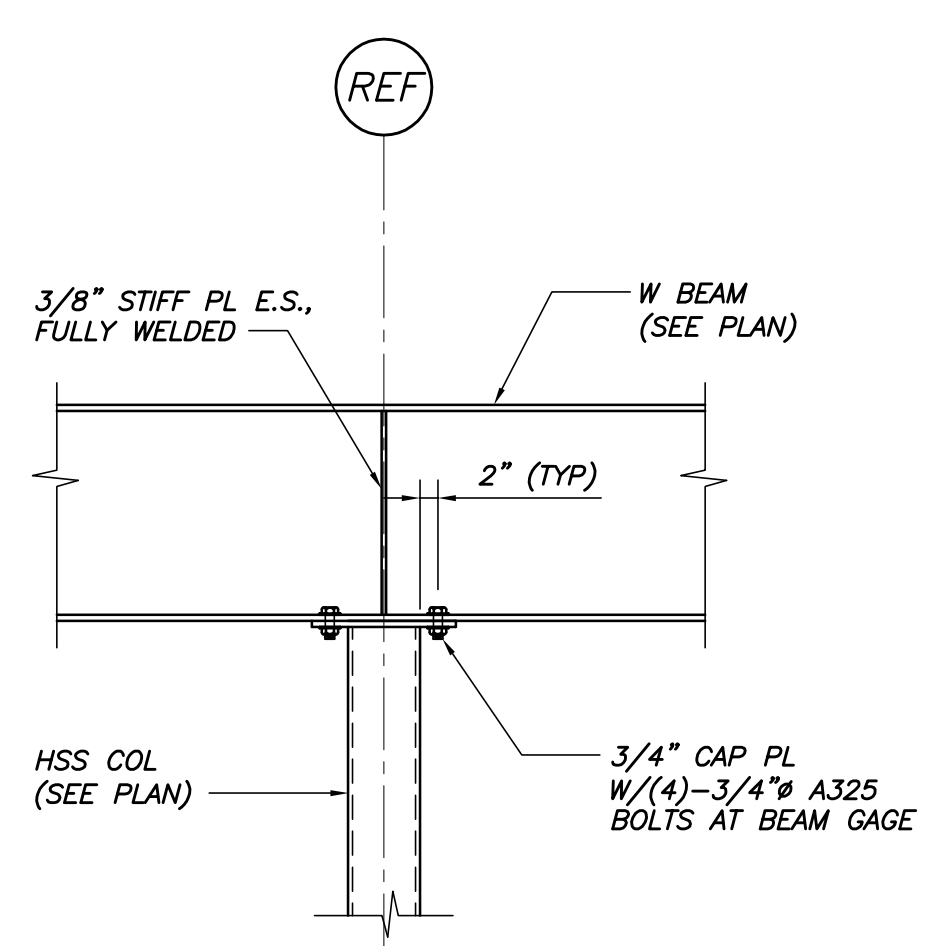
DRAWING NUMBER

S3.1

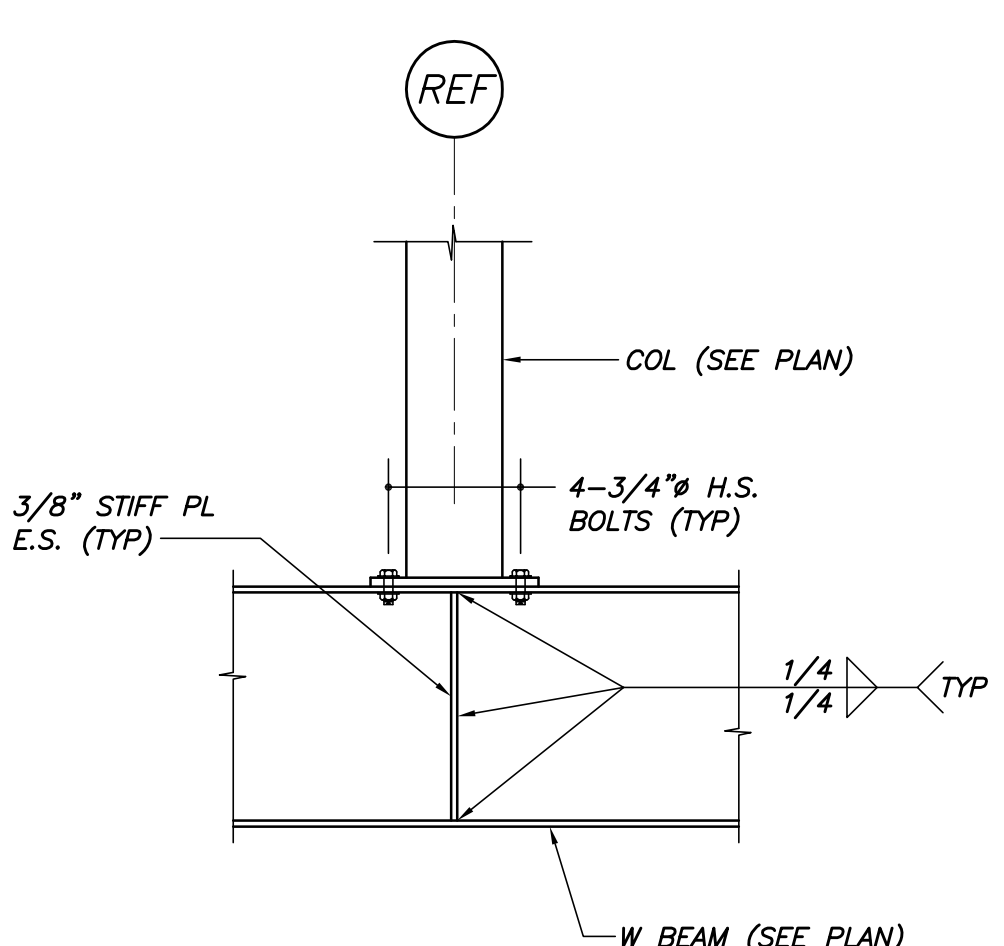
SCALE: NOTED
DATE: 02/10/2017



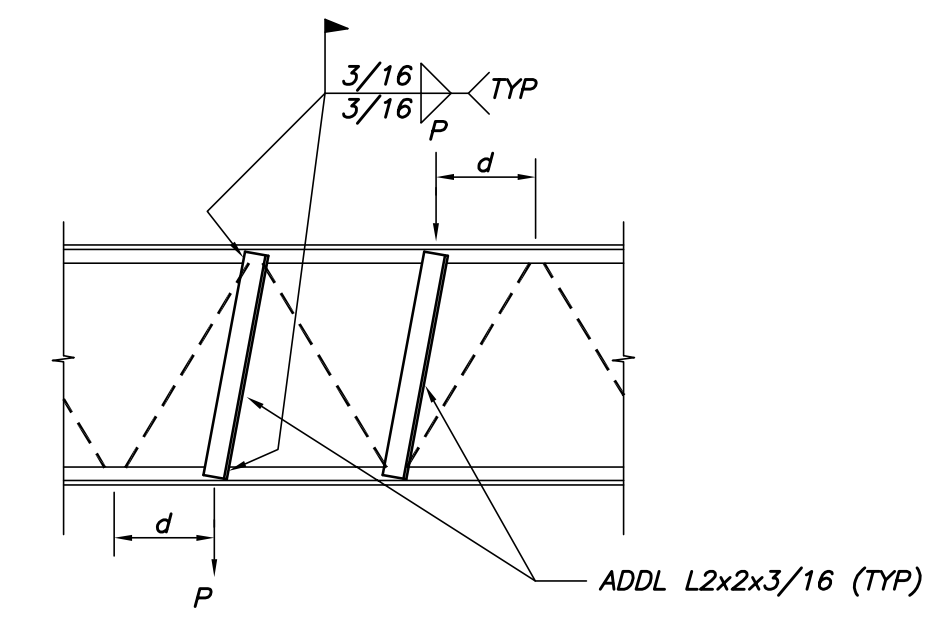
TYP BEAM TO HSS COL CONN U.N.O.
N.T.S.



TYP BEAM BEARING ON STEEL COLUMN
N.T.S. (NOTE: INVERT DETAIL AT TRANSFER BEAMS)

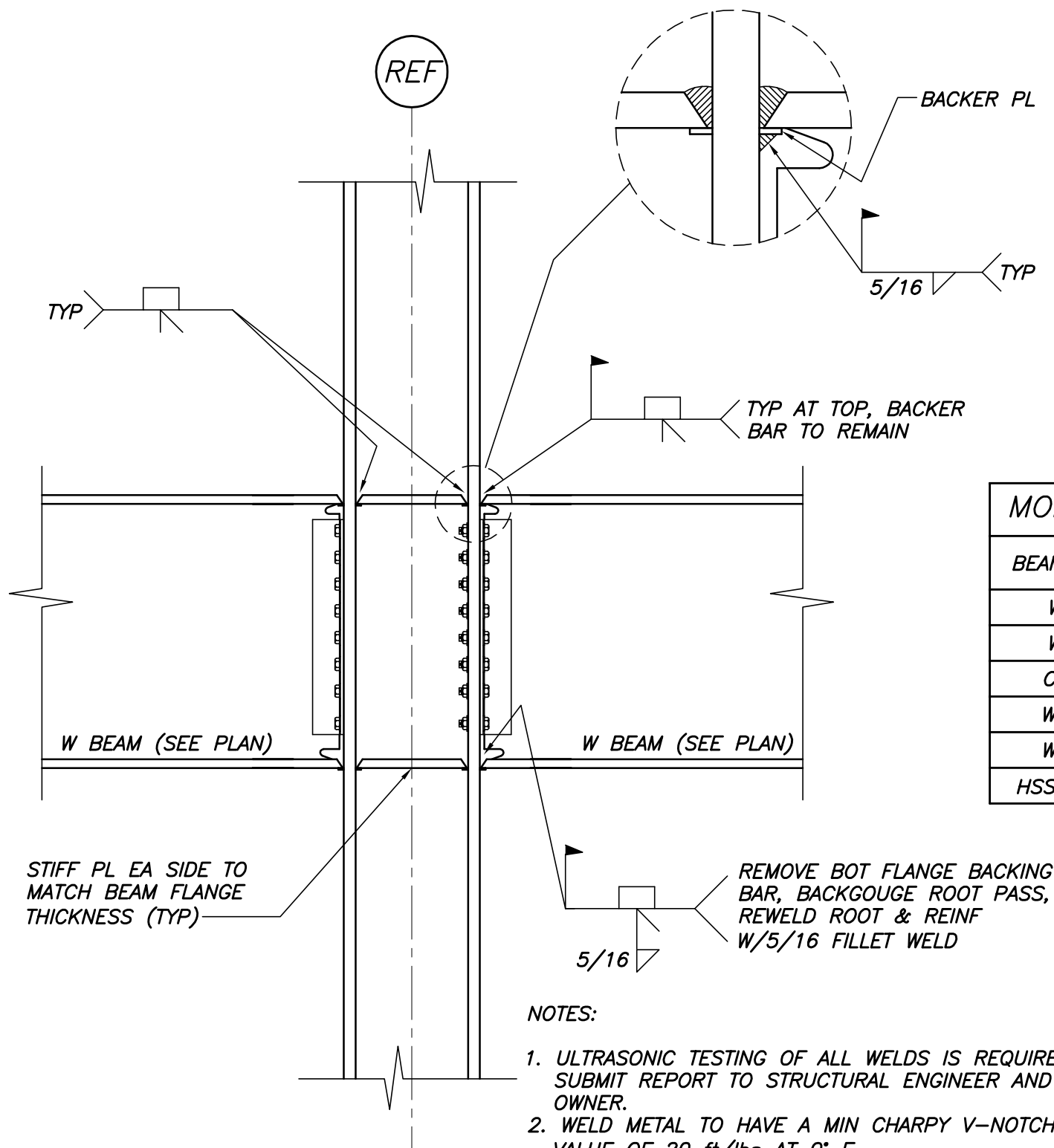


TYP COL TRANSFER DETAIL
N.T.S.



TYP JOIST REINF DETAIL
N.T.S.

- FOR CONCENTRATED LOADS LOCATED A DISTANCE "d", 4" OR MORE FROM PANEL POINT, PROVIDE ADDITIONAL WEB MEMBERS AS SHOWN.
- P = 300# MAX LOAD.

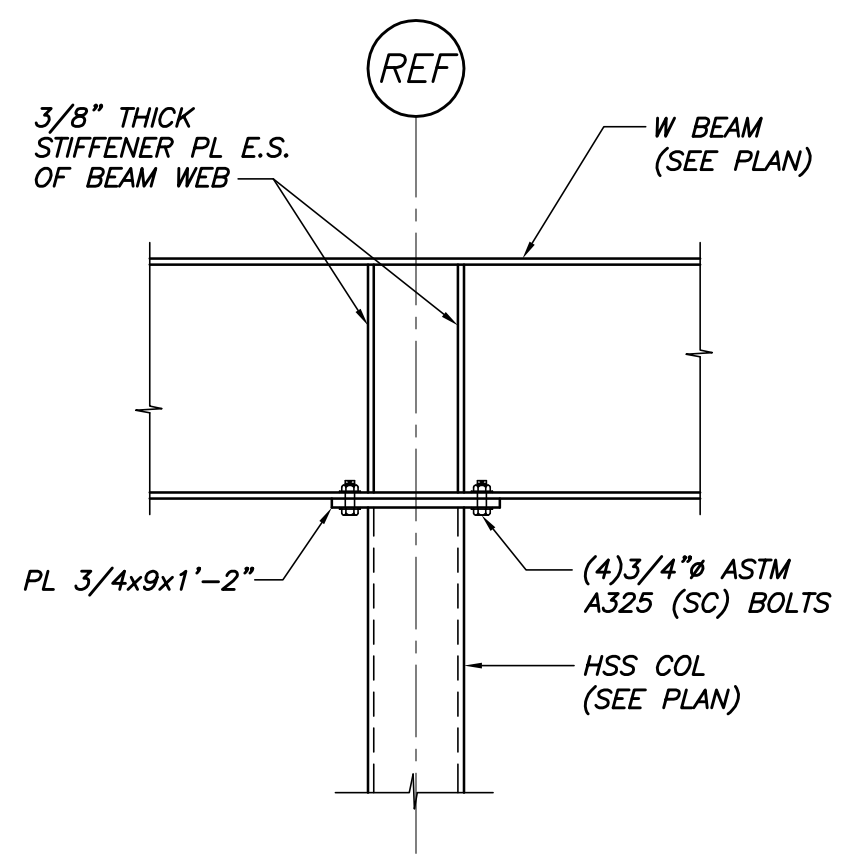


BEAM SIZE	DESIGN REACTION
W4	7 KFT
W8	40 KFT
C15	20 KFT
W18	25 KFT
W24	100 KFT
HSS10/12	40 KFT (HORIZ & VERT)

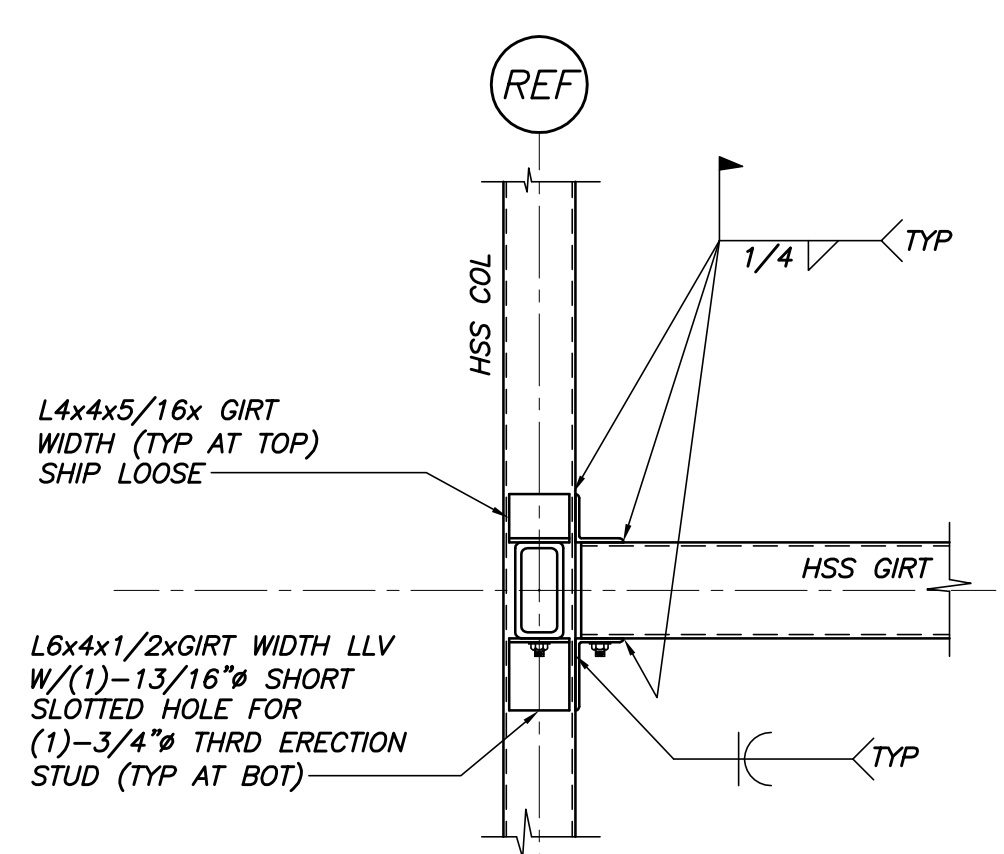
- NOTES:
- ULTRASONIC TESTING OF ALL WELDS IS REQUIRED. SUBMIT REPORT TO STRUCTURAL ENGINEER AND OWNER.
 - WELD METAL TO HAVE A MIN CHARPY V-NOTCH VALUE OF 20 ft/lbs AT 0° F.

TYP MOMENT CONNECTION DETAIL
3/4"=1'-0"

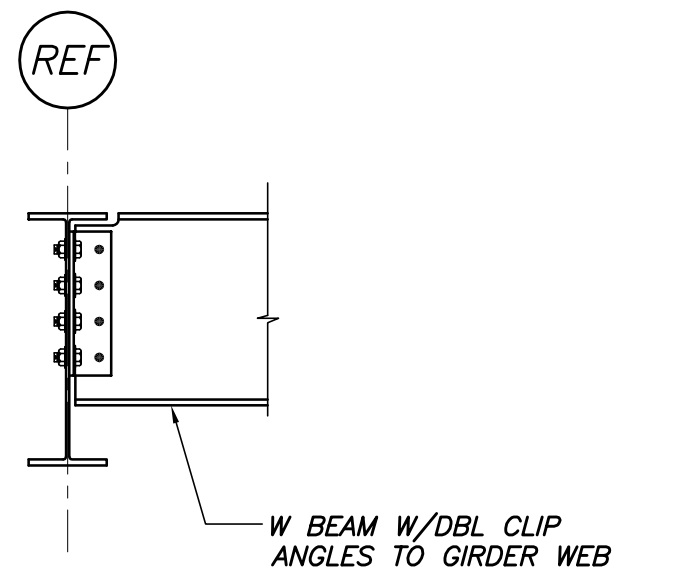
- NOTES:
- G.C. OPTION: MOMENT CONNECTIONS MAY BE DESIGNED AS BOLTED OR WELDED.
 - BOLTED MOMENT CONNECTION DESIGN CALCULATIONS SHALL BE SUBMITTED FOR REVIEW PER SPECIFICATIONS AND SHALL BE STAMPED BY A STRUCTURAL ENGINEER LICENSED IN THE STATE OF MAINE.
 - PROVIDE MIN (2) ROWS OF BOLTS FOR BOLTED MOMENT CONNECTIONS.
 - SEE SCHEDULE THIS DRAWING FOR DESIGN MOMENTS. MOMENTS ARE RESULT OF WORST CASE ALLOWABLE STRESS DESIGN LOAD COMBINATIONS.



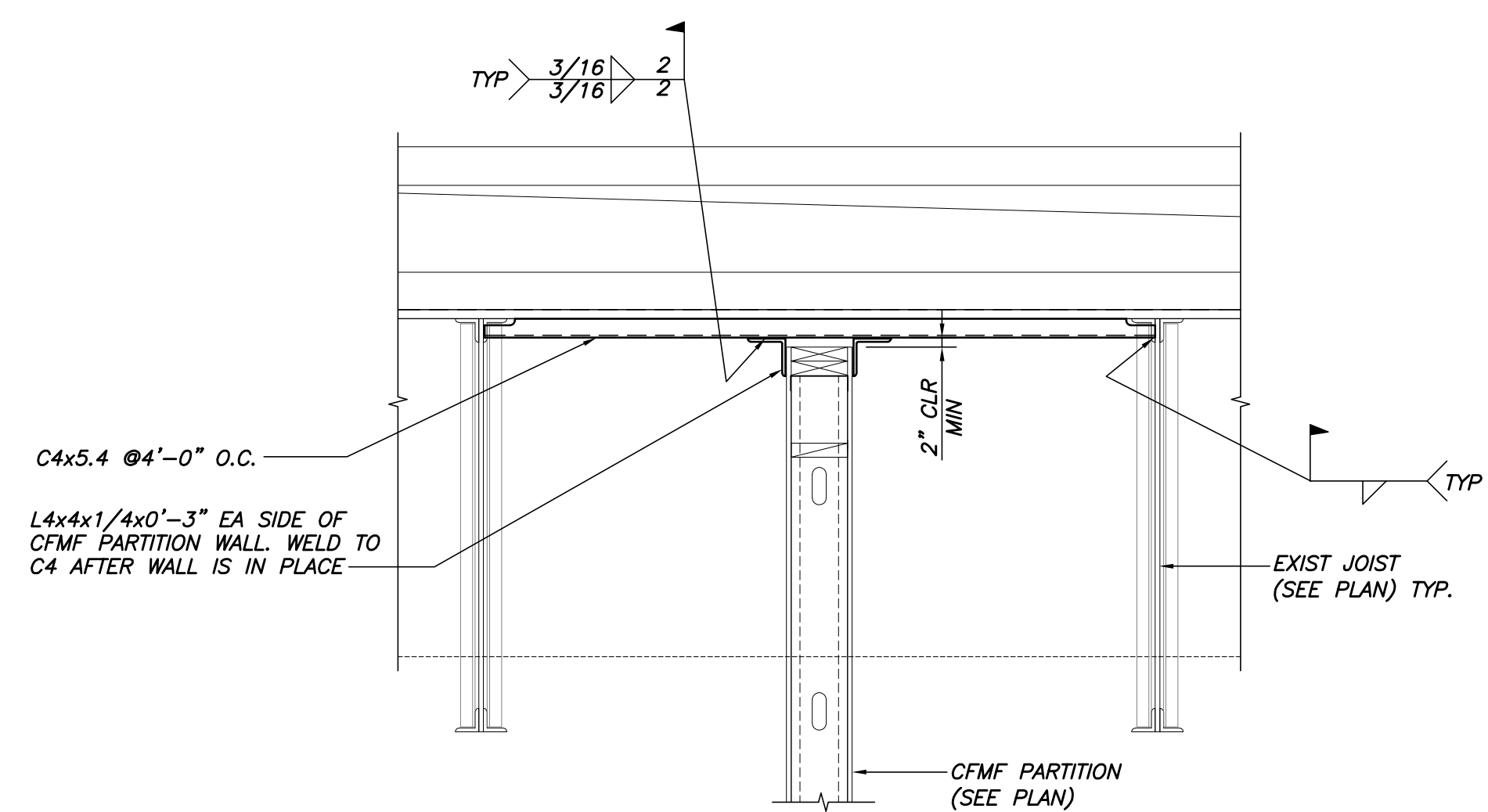
TYP BEAM OVER COLUMN MOMENT CONN DETAIL
N.T.S.



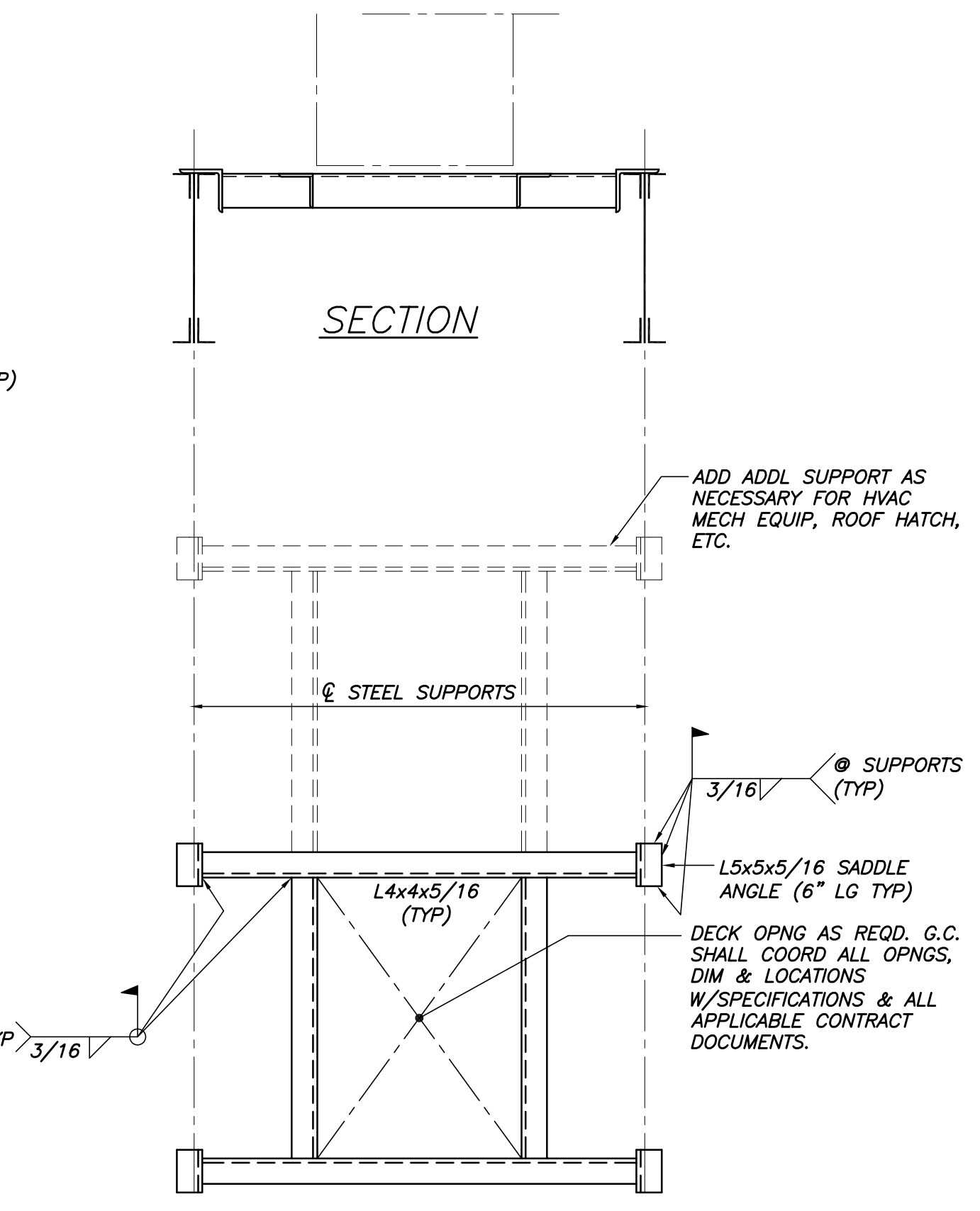
TYP HSS GIRT TO HSS COL DETAIL U.N.O.
N.T.S.



TYP BEAM/BEAM CONN DETAIL
N.T.S.



PARTITION PARALLEL FRAMING TYP DETAIL
N.T.S.



PLAN OF TYP OPENING IN ROOF DECK
N.T.S.

- NOTE:
DETAIL TYPICAL AT ROOF DRAINS, EXHAUST FANS AND OTHER MECH AND HVAC EQUIP AT NEW AND EXISTING ROOF DECK. IF OPENING IS LARGER THAN 12" OR CUTS MORE THAN (2) DECK RIBS. FOR OPENINGS LESS THAN 12", REINF OPNG W/16GA MIN PL. MIN PL LENGTH SHALL BE "D"+4". EXTEND AS REQD FOR 2" MIN BRG ON DECK RIB.

SIMPLE SHEAR BEAM CONN. SCHEDULE			
BEAM SIZE	DESIGN REACTION	MINIMUM NO BOLTS 1 SIDED CONNECTION	MINIMUM NO BOLTS 2 SIDED CONNECTION
HSS6/HSS8/W8	10k	2	2
W10	15k	2	2
W12W14	20k	3	2
W16	40k	4	3
W18	50k	5	3
W21	50k	5	4
W24	55k	6	4

SIMPLE SHEAR CONNECTIONS NOTES:

- SIMPLE SHEAR CONNECTIONS SHALL BE SELECTED FROM THE AISC "MANUAL OF STEEL CONSTRUCTION, THIRTEENTH EDITION" USING THE ABOVE REFERENCED REACTIONS AND CRITERIA. REACTIONS INDICATED ARE UNFACTORED (SERVICE LEVEL LOADS). MORE BOLTS THAN REFERENCED IN THE "MINIMUM" SECTIONS ABOVE MAY BE REQUIRED FOR LOAD REQUIREMENTS.
- CONNECTIONS ARE SUBJECT TO REVIEW ON THE STEEL SHOP DRAWINGS.
- ALL BOLTS SHALL BE A325 OR A490 FOR SIMPLE SHEAR CONNECTIONS, MIN 3/4" MINIMUM WELD SIZE SHALL BE 5/16". MINIMUM MATERIAL SIZE FOR PLATES OR ANGLES SHALL BE 3/8".
- ONE SIDED CONNECTIONS INCLUDE SINGLE PLATES AND SINGLE ANGLE CONNECTIONS.
- TWO SIDED CONNECTIONS INCLUDE DOUBLE ANGLE AND END PLATE CONNECTIONS.

4600 MANFLOWER HILL
PORTLAND, MAINE 04101
T: 207-659-4617

191 MARGINAL WAY
PORTLAND, MAINE 04101

CWS PROJECT NUMBER: 15.063