



DESIGNER



OWNER

EARL W. NOYES & SONS
C/O PAUL URENECK

4600 MAYFLOWER HILL
W. PORTLAND, ME 04106
T: 207-659-4617

PROJECT

191 MARGINAL WAY
RETAIL CENTER

191 MARGINAL WAY
PORTLAND, MAINE 04101

DRAWING

TYPICAL CONCRETE
DETAILS

CWS PROJECT NUMBER: 15.063

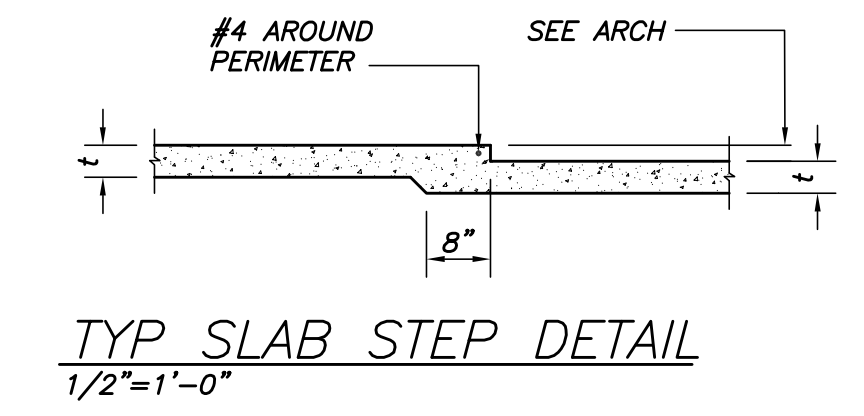
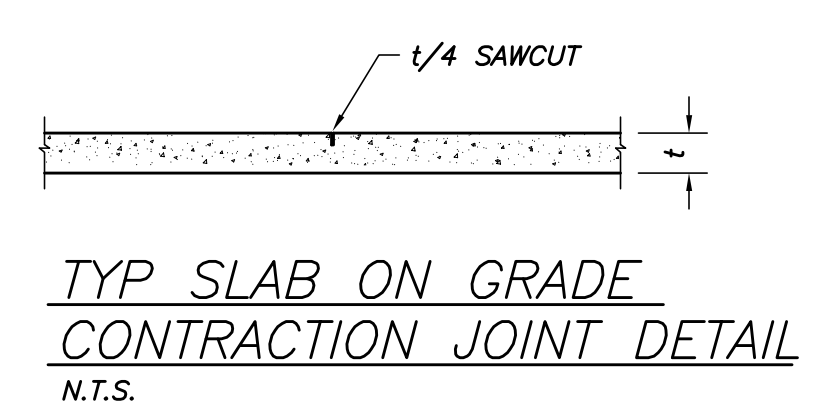
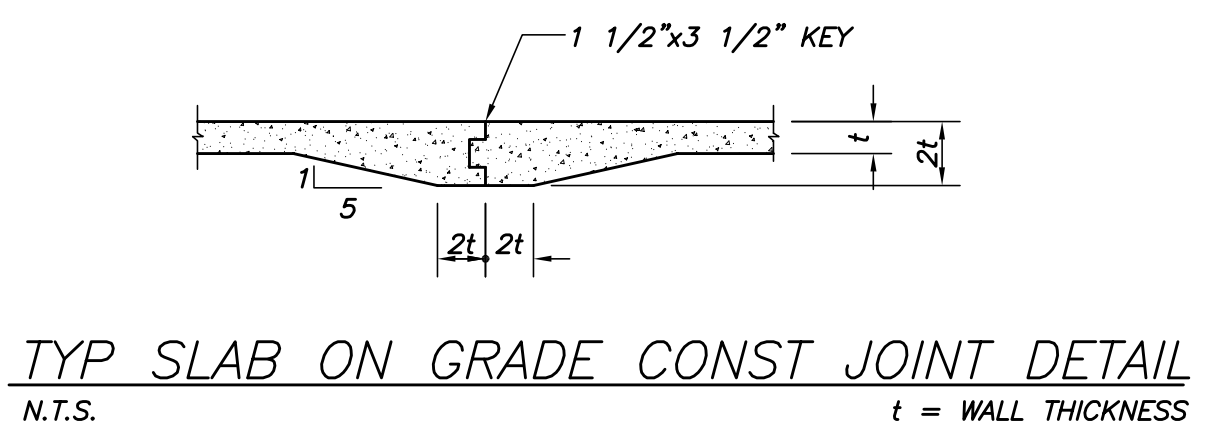
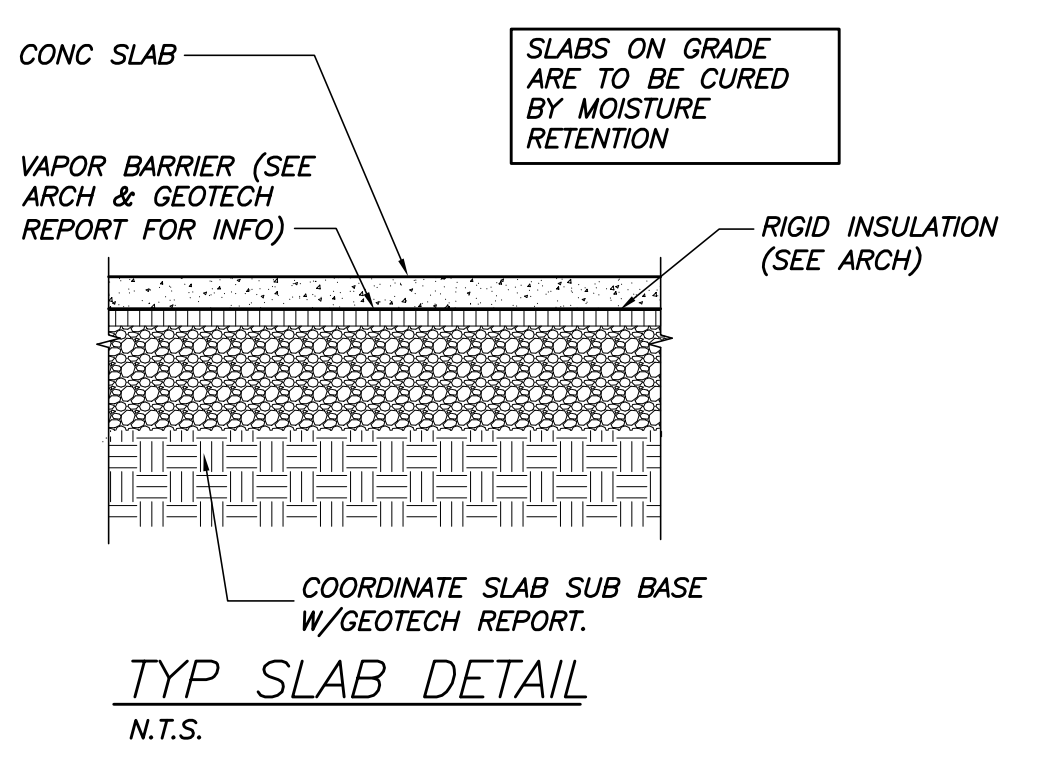
REVISIONS

NO.	DATE	DESCRIPTION

DRAWING NUMBER

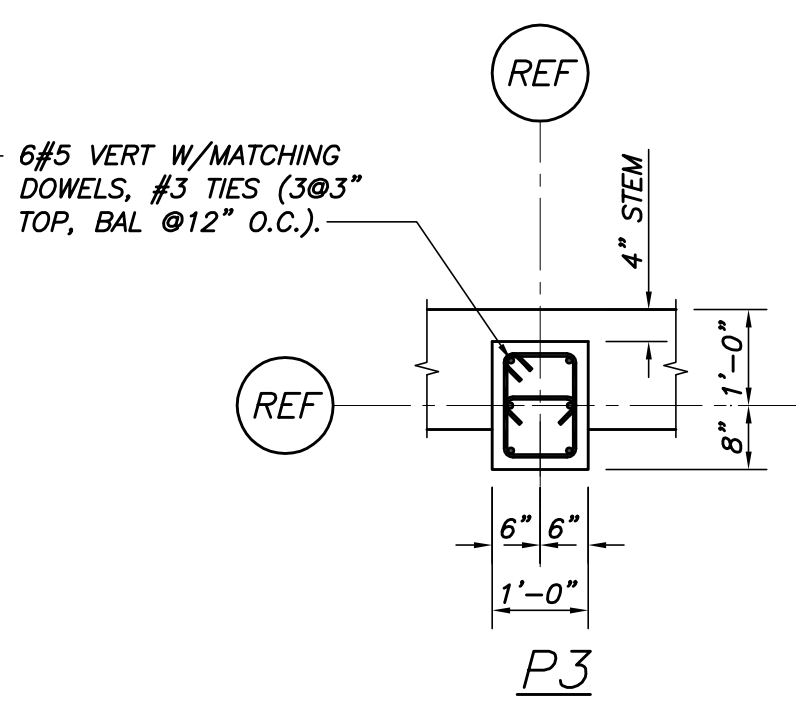
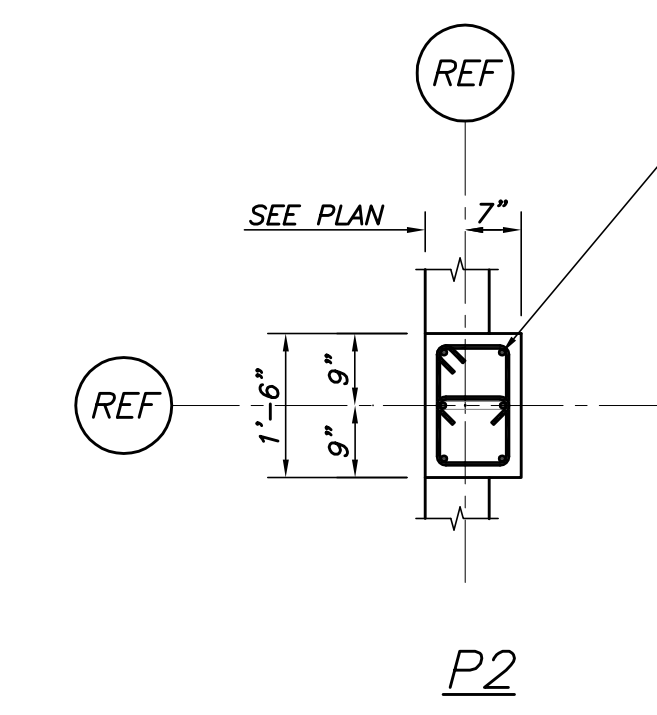
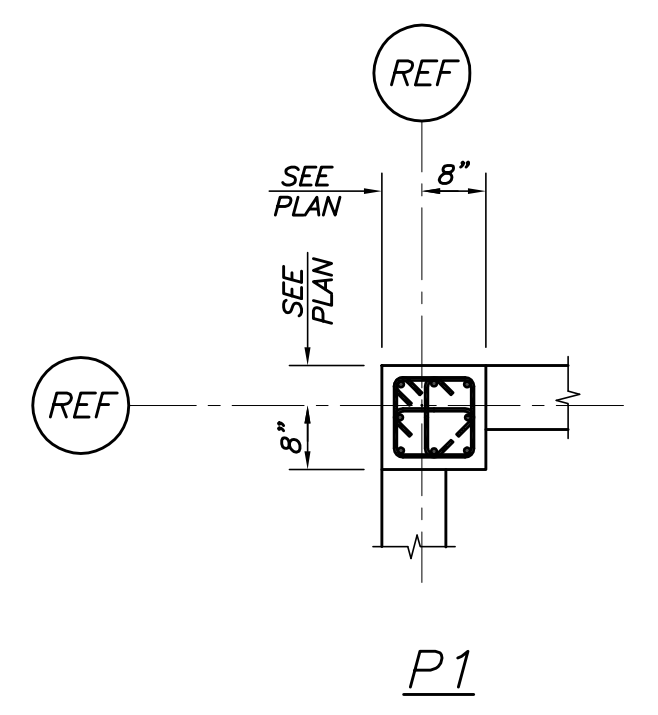
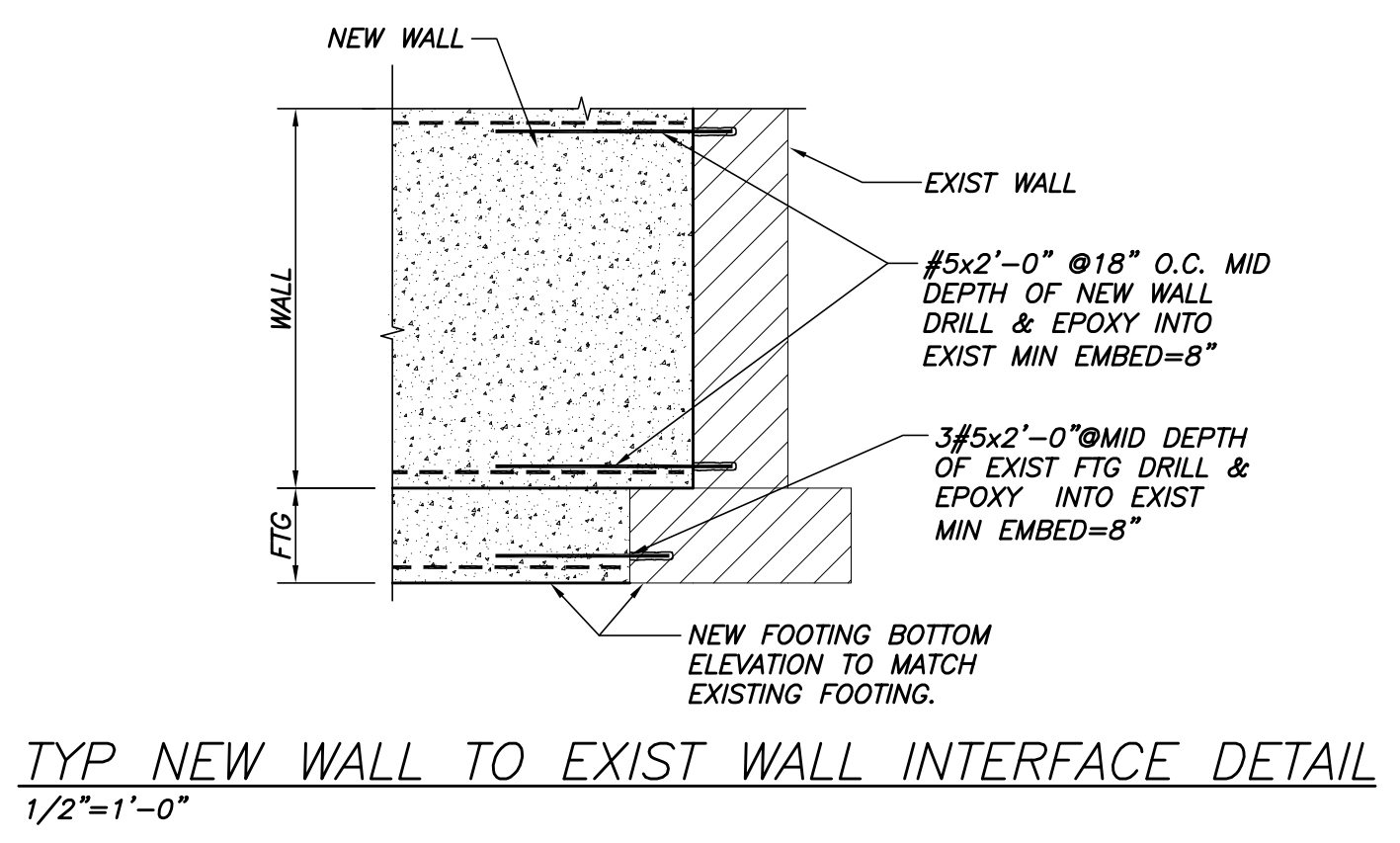
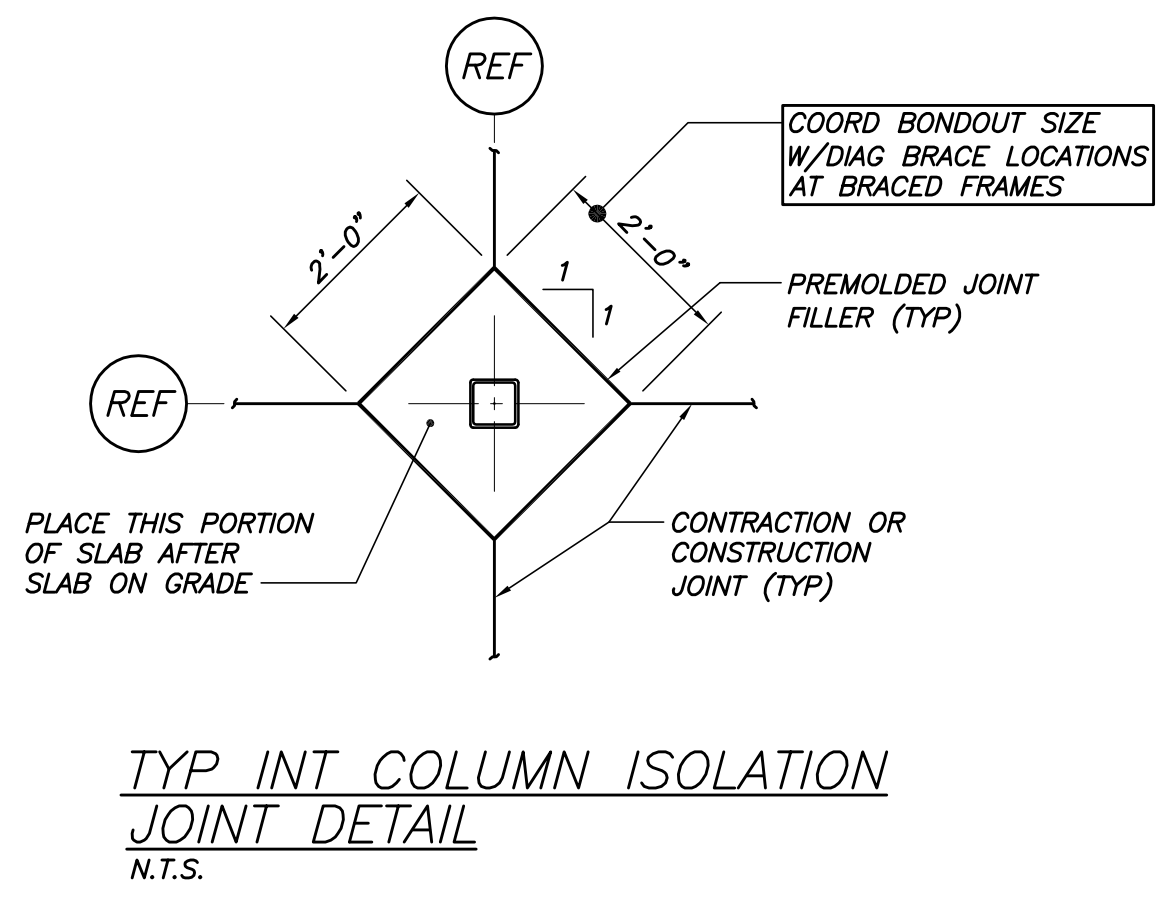
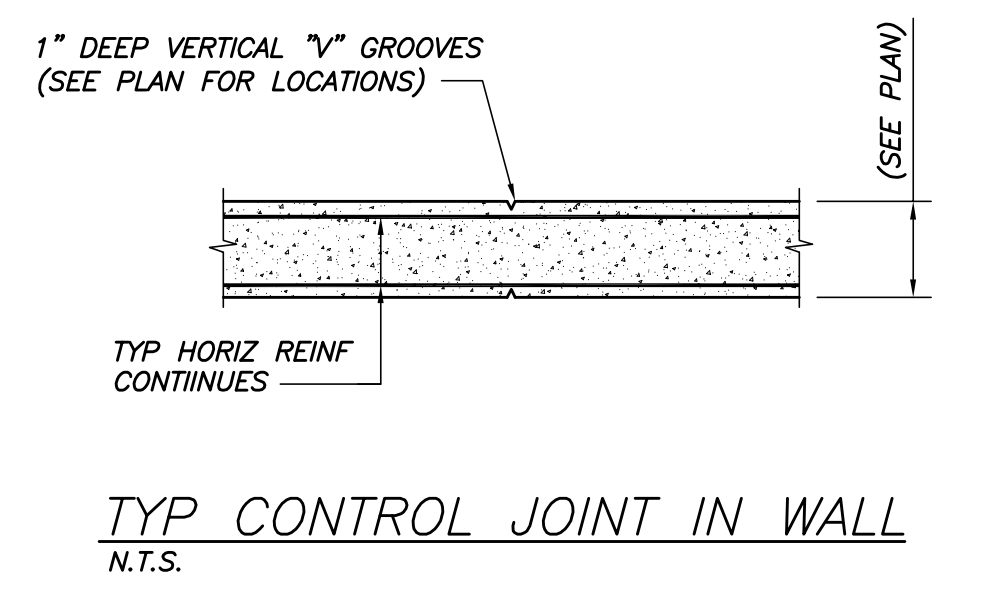
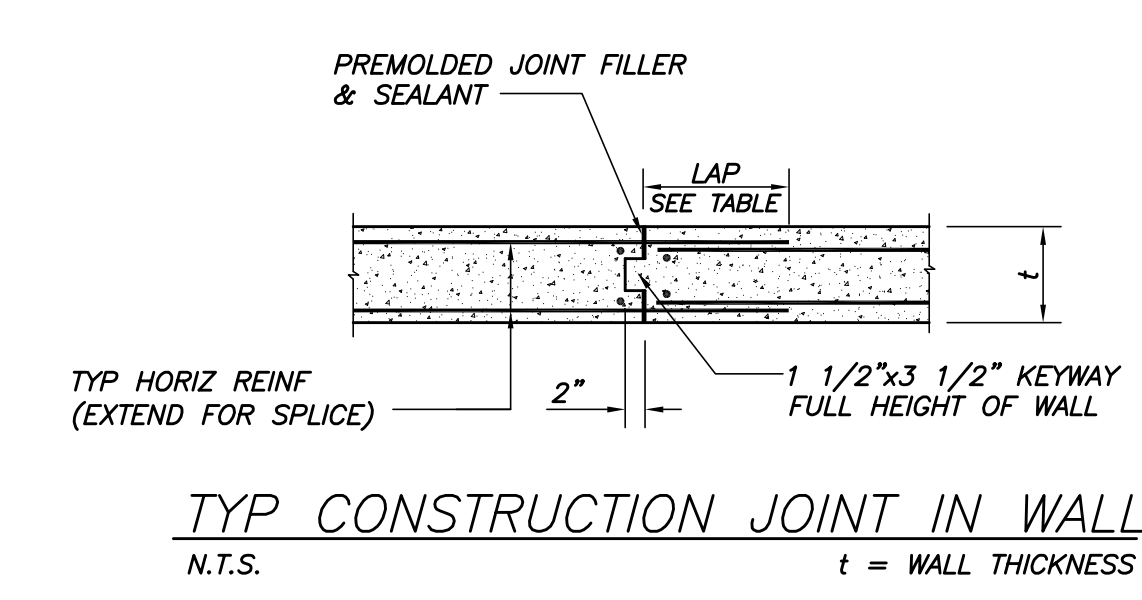
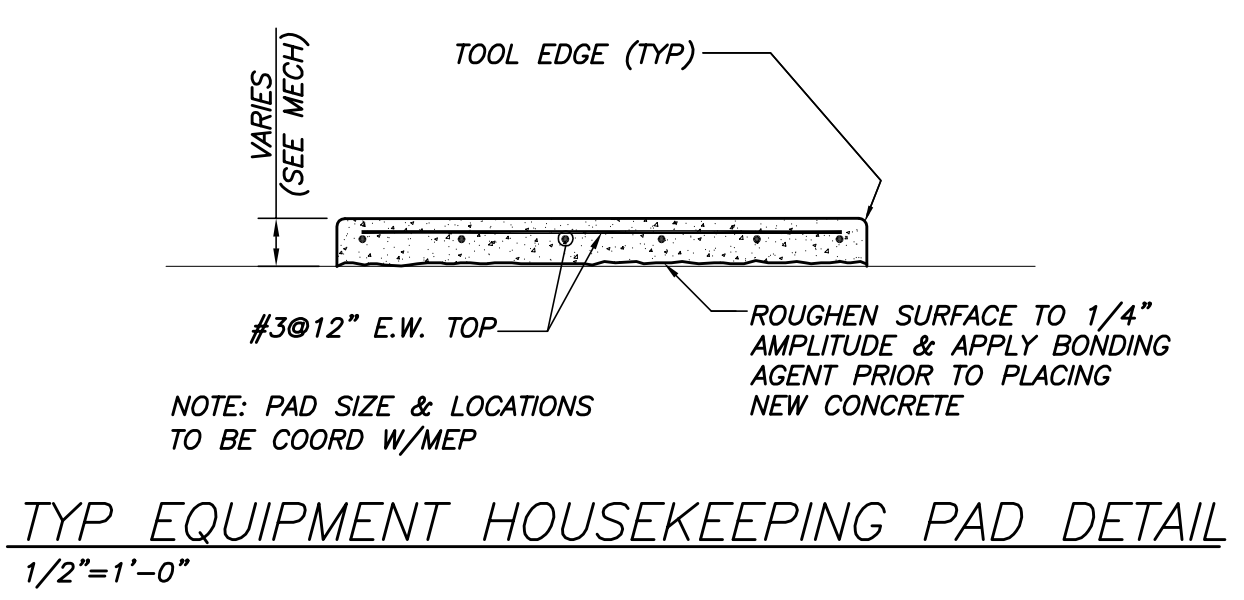
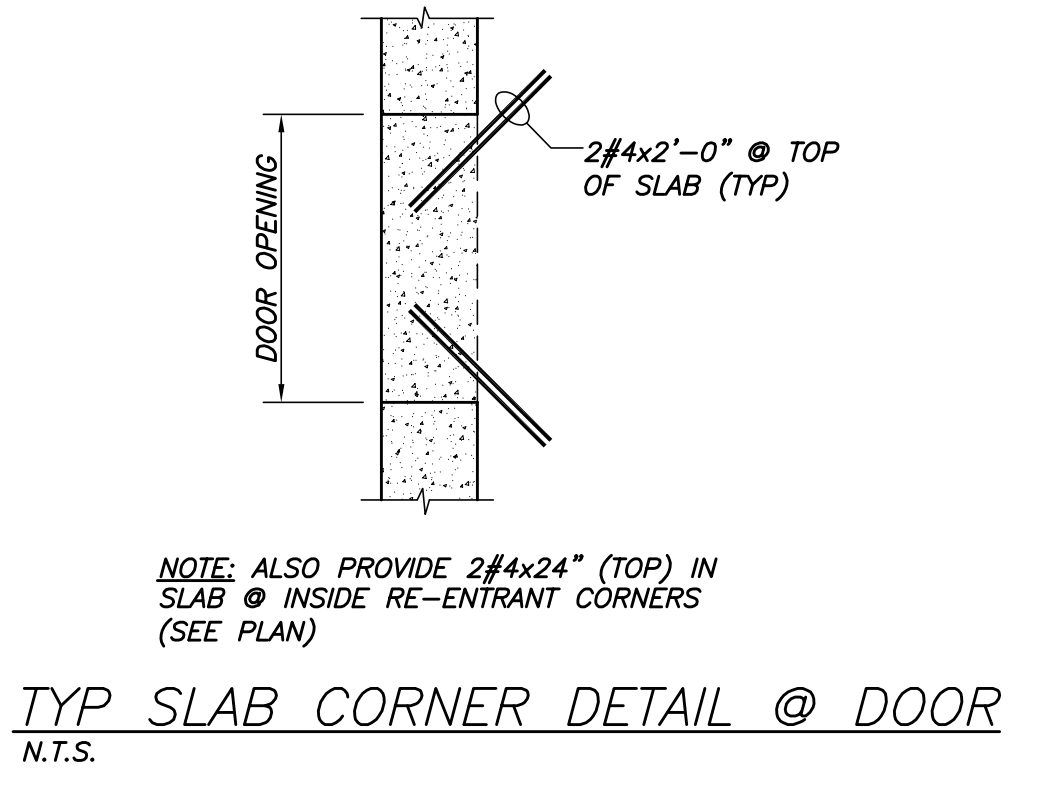
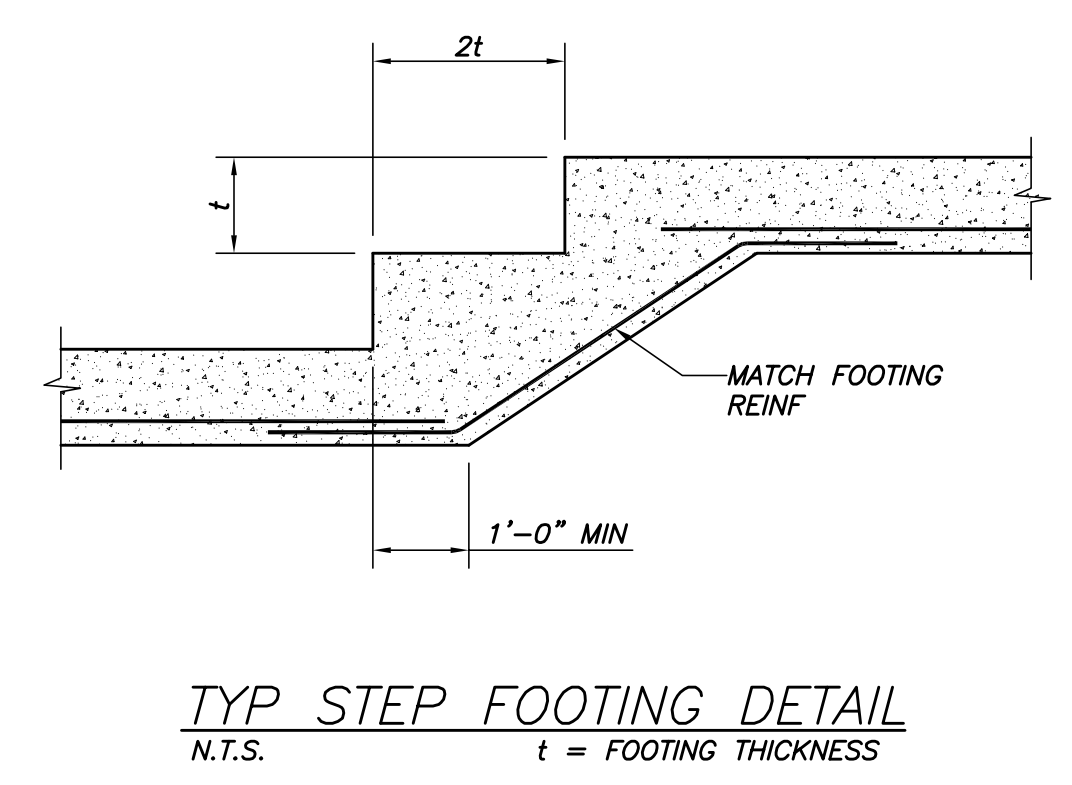
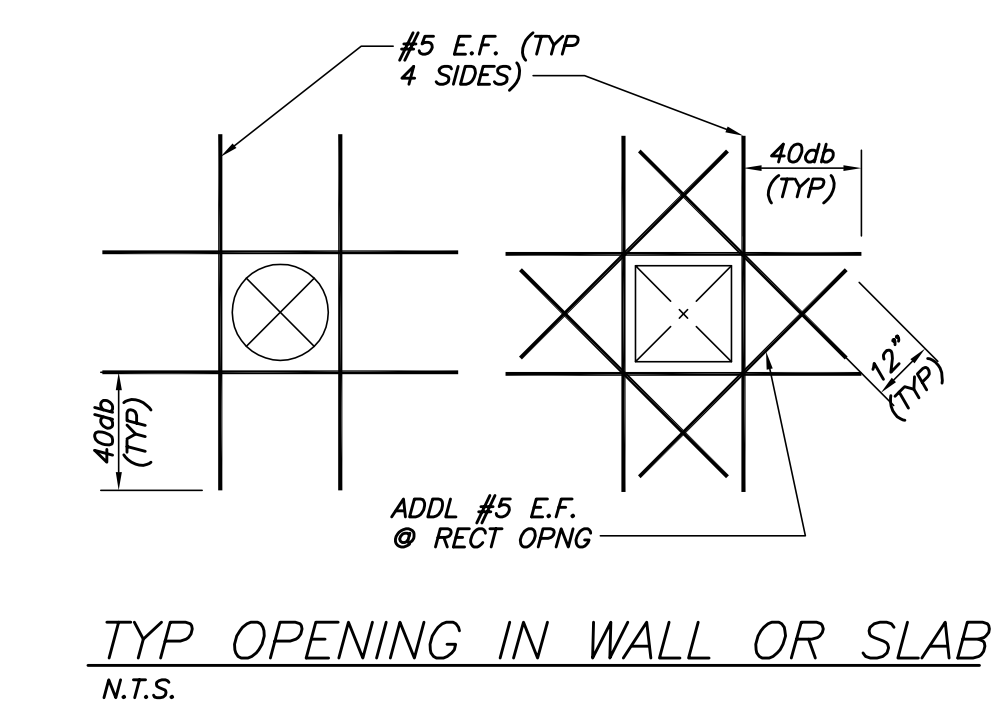
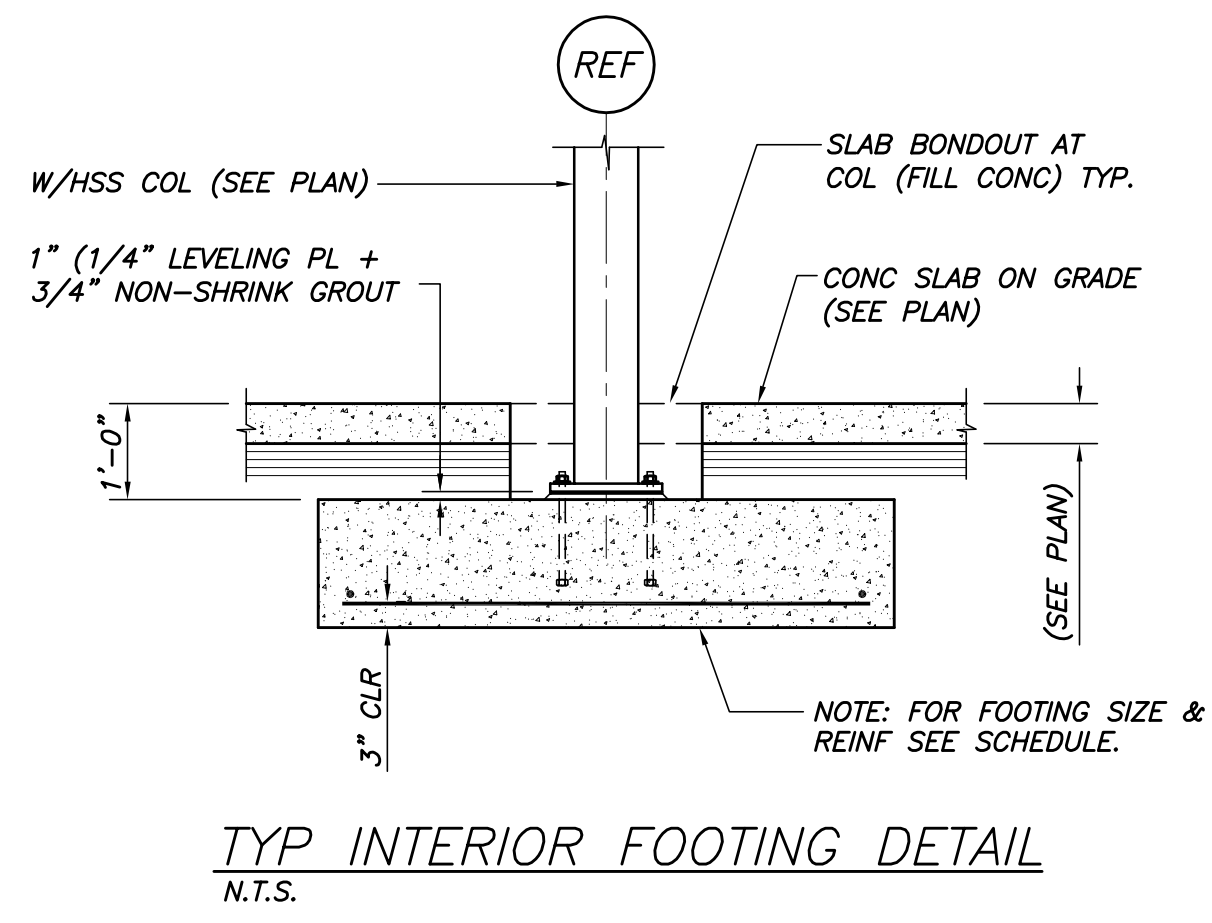
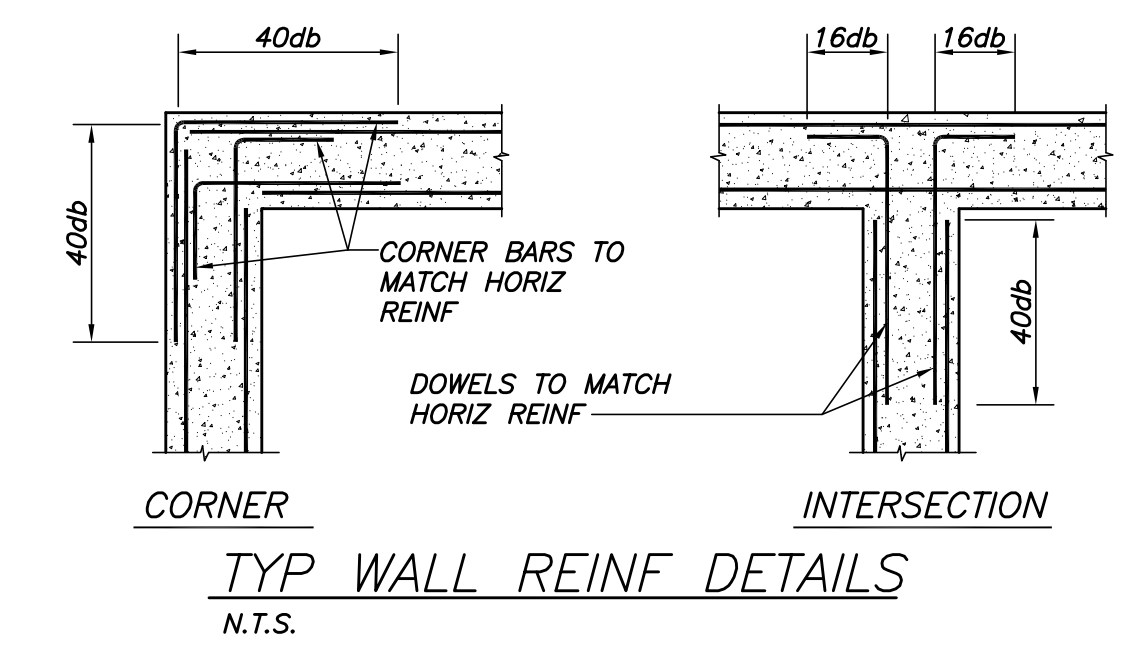
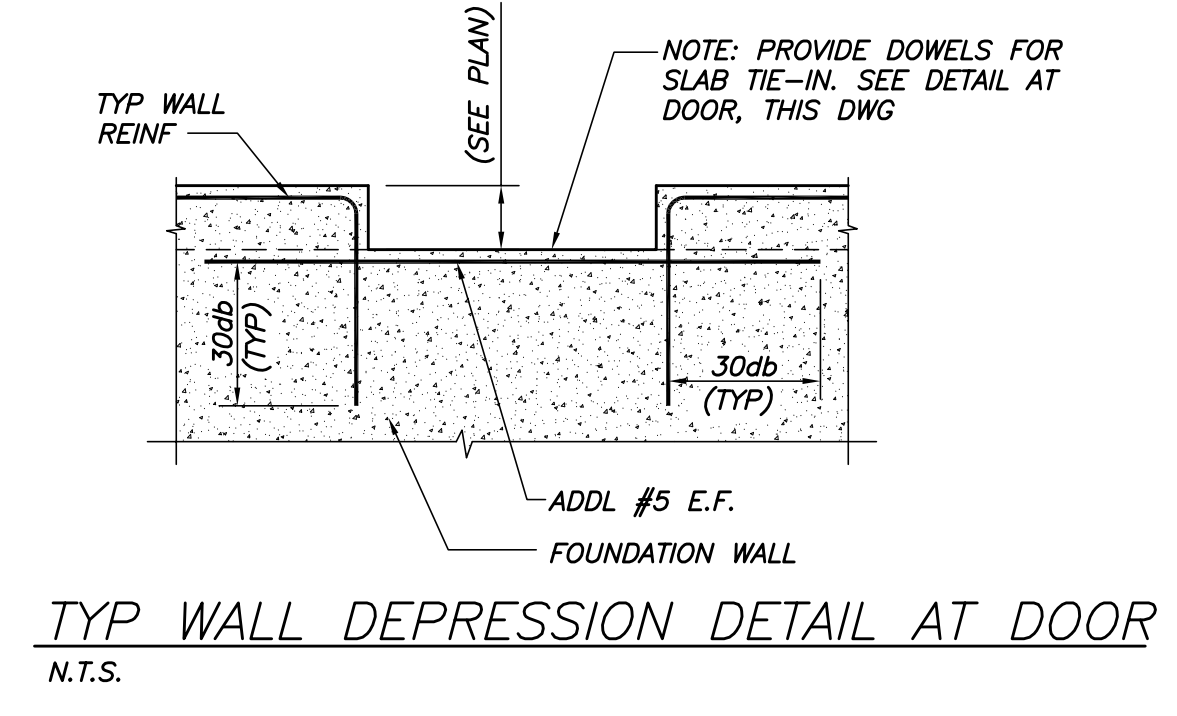
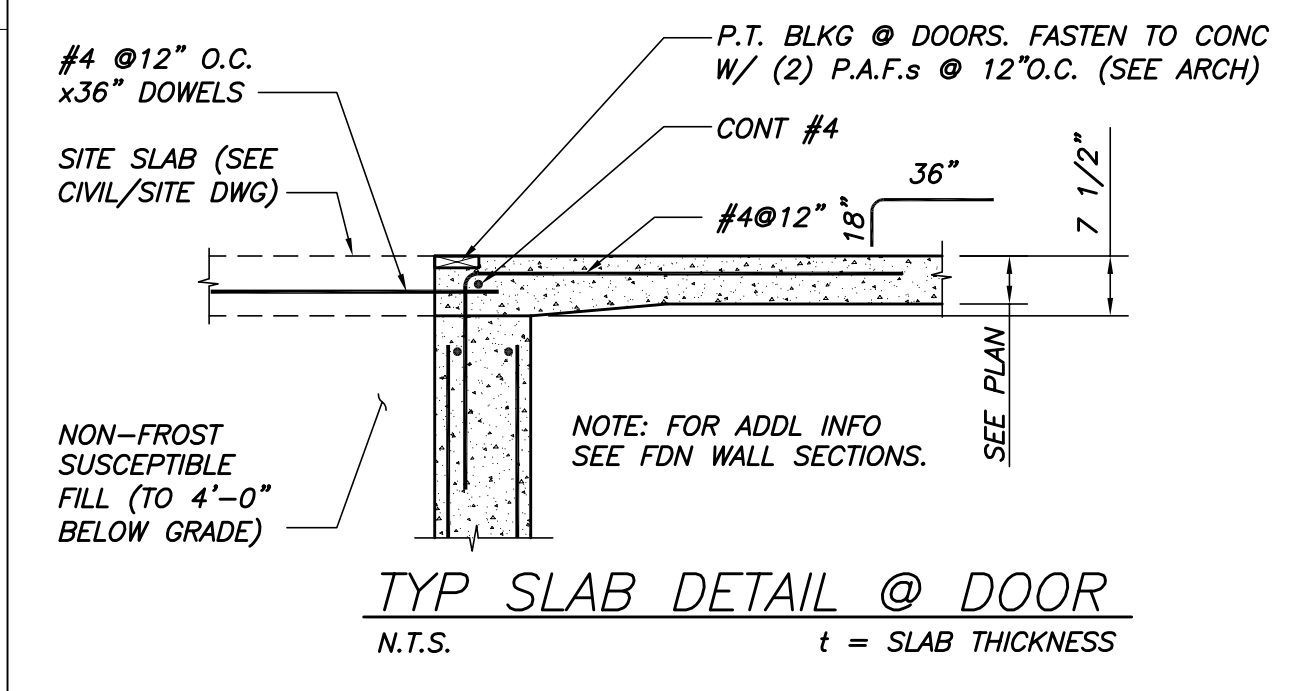
S2.1

SCALE: NOTED
DATE: 02/10/2017



REBAR LAP SPLICE TABLE

BAR SIZE	LAP LENGTH	
	3,500 PSI	5,000 PSI
#3	30"	18"
#4	36"	24"
#5	48"	30"
#6	64"	36"
#7	81"	52"



PIER DETAILS
N.T.S.
TYP PIER REINF U.N.O.

- TYP PIER REINF U.N.O.: 8#5 VERT W/MATCHING DOWELS & #3 TIES, (3@3" O.C. TOP, BAL @12" O.C.).
- OMIT TOP CROSS TIES AT SHEAR KEY LOCATIONS. PERIMETER TIES TO REMAIN AT 1 1/2" DOWN FROM TOP OF PIER.

