

DESIGNER

OWNER

PROJECT

DRAWING

REVISIONS

EARL W. NOYES & SONS
C/O PAUL URENECK

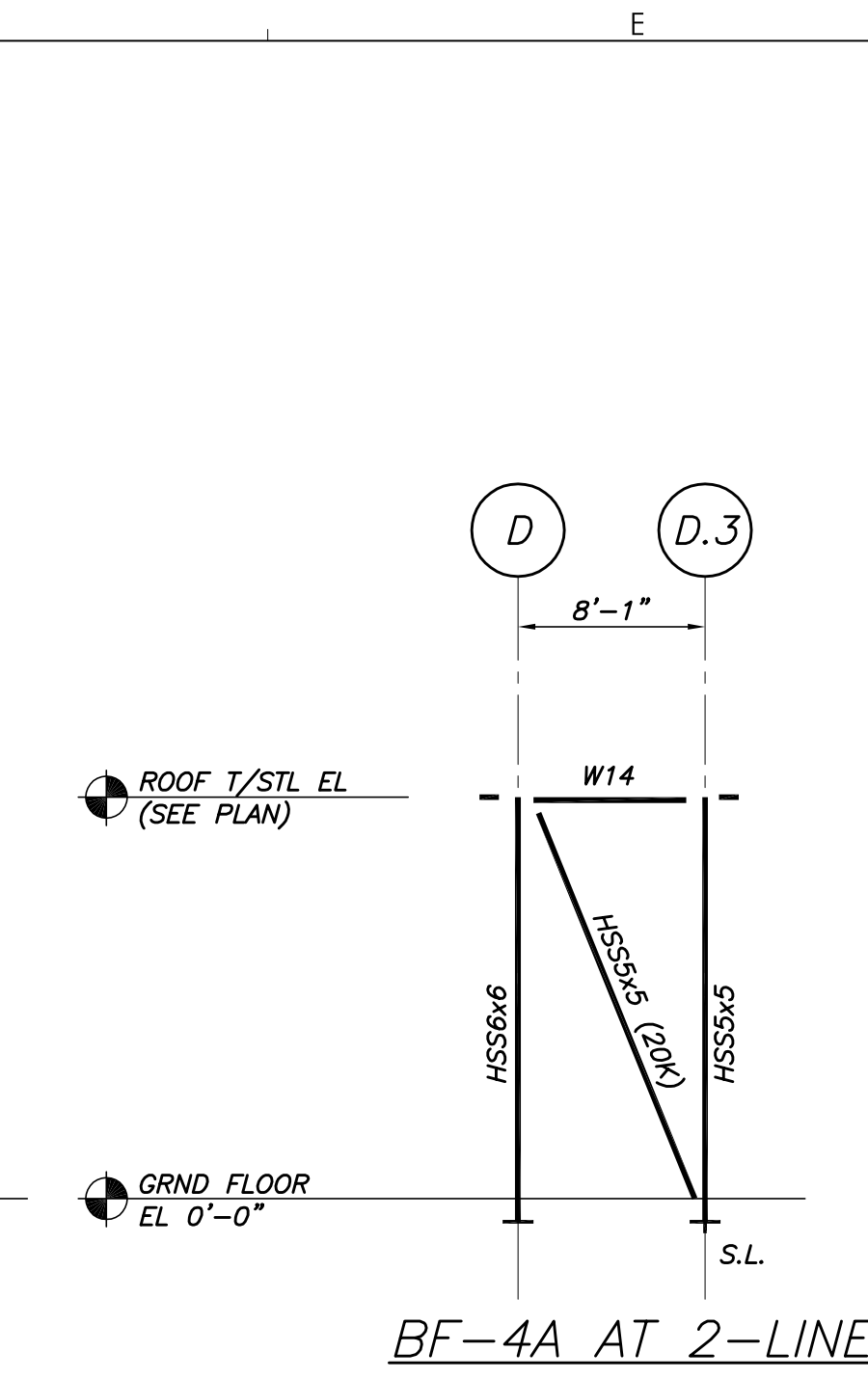
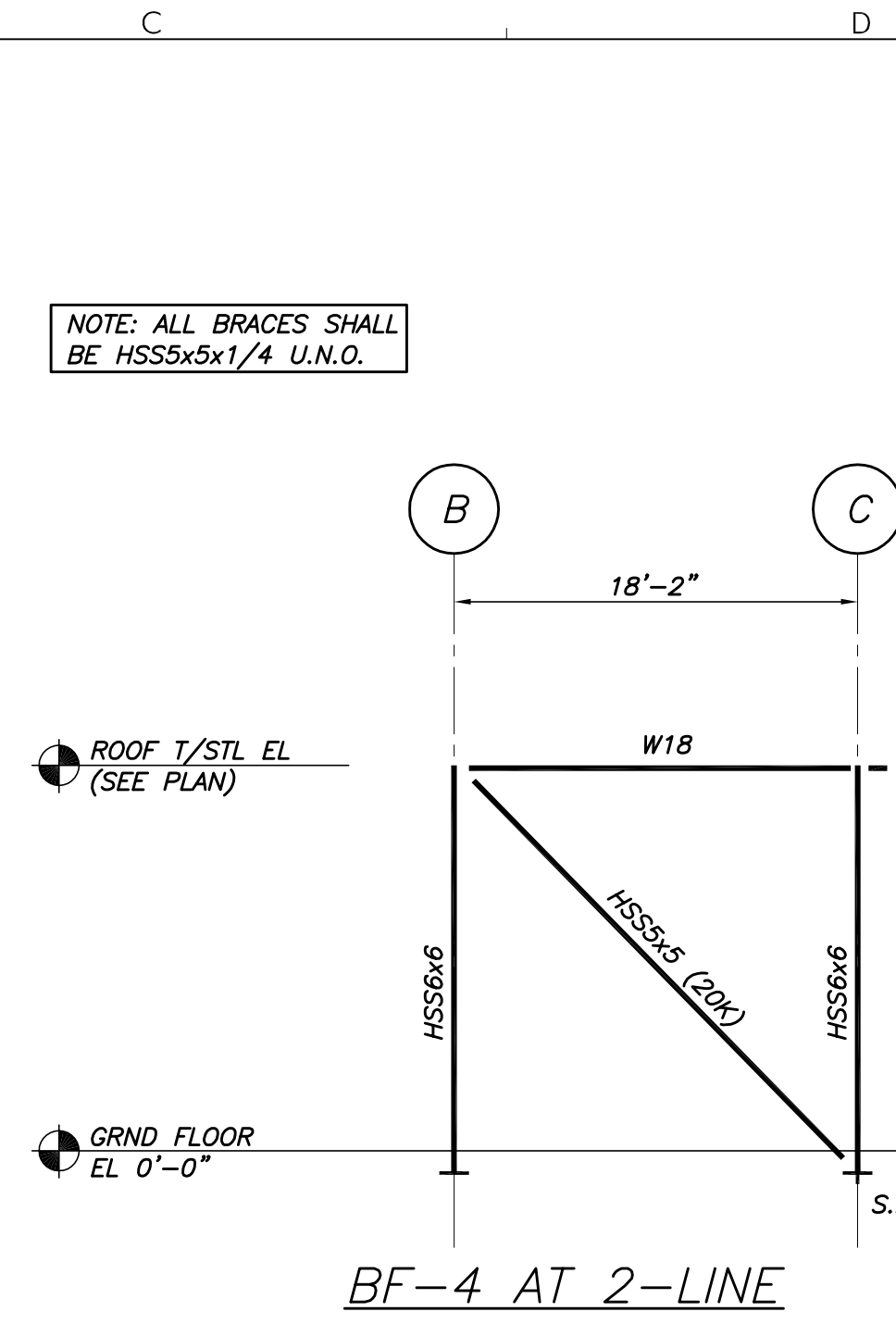
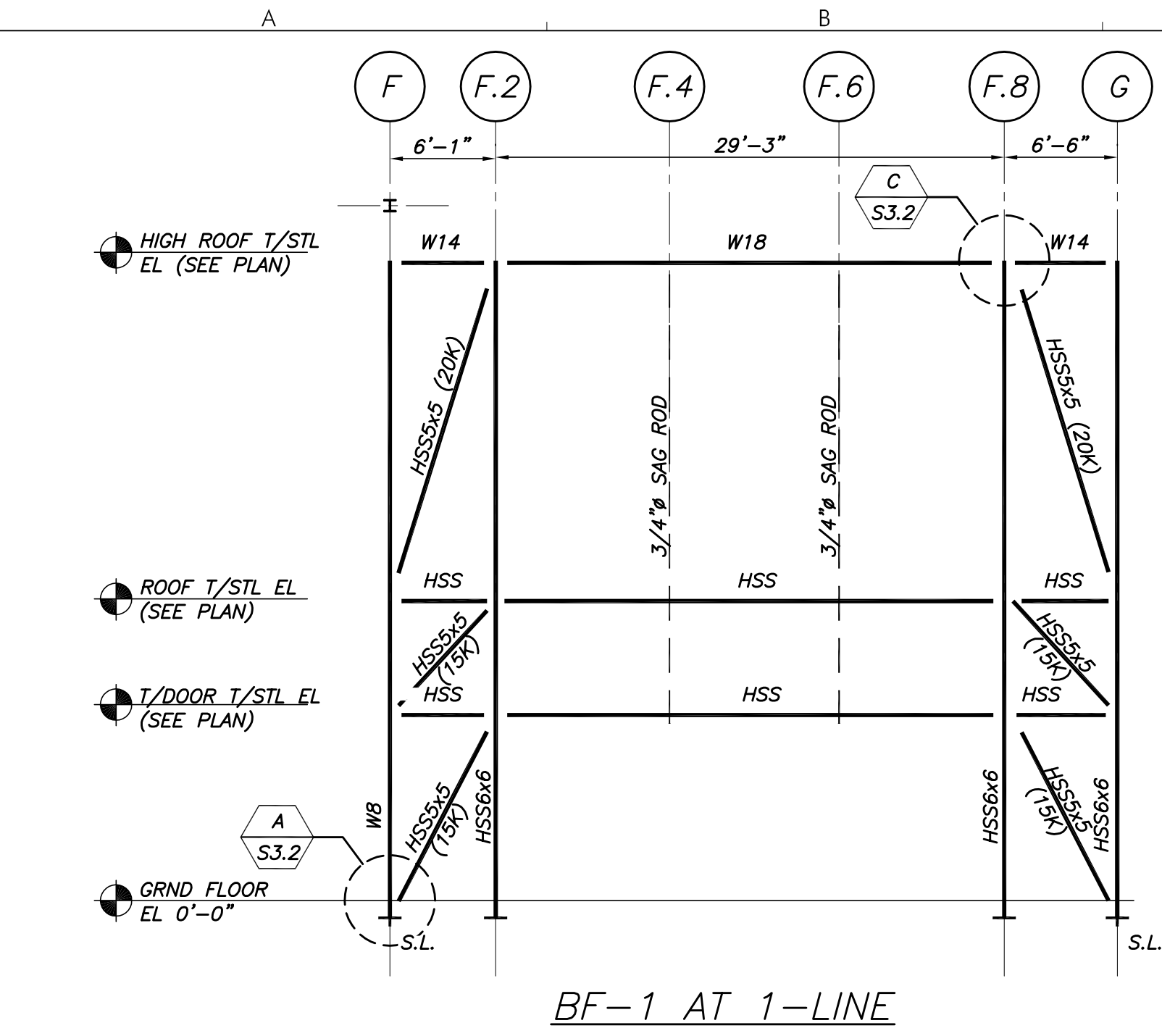
191 MARGINAL WAY
RETAIL CENTER

BRACED FRAME
ELEVATIONS

DRAWING NUMBER: 15.063

DRAWING NUMBER
S1.3

SCALE: NOTED
DATE: 02/10/2017



TYP BRACED FRAME ELEVATIONS

BRACED FRAME NOTES:

- LOADS INDICATED ON BRACED FRAME AND MOMENT FRAME ELEVATIONS ARE UNFACTORED LOADS AND MAY ACT IN TENSION OR COMPRESSION.
- LOADS INDICATED HAVE BEEN GENERATED USING R=3. CONNECTIONS DO NOT REQUIRE ADDITIONAL OVERSTRENGTH FACTORS.
- CONNECTION DESIGN CALCULATIONS SHALL BE SUBMITTED FOR REVIEW PER SPECIFICATIONS AND SHALL BE STAMPED BY A STRUCTURAL ENGINEER LICENSED IN THE STATE OF MAINE AND SHALL INCLUDE THE FOLLOWING:
 - GEOMETRY NECESSARY FOR UNIFORM FORCE METHOD CALCULATIONS.
 - ALL APPLICABLE FAILURE MODE CHECKS.
- BRACE FRAME CONNECTIONS SHALL BE DESIGNED TO NOT INDUCE MOMENT INTO BEAMS AND COLUMNS.
- SEE DWG S3.1 FOR MOMENT CONN DETAIL & MOMENT CONN SCHEDULE.
- S.L. INDICATES SHEAR LUG.

