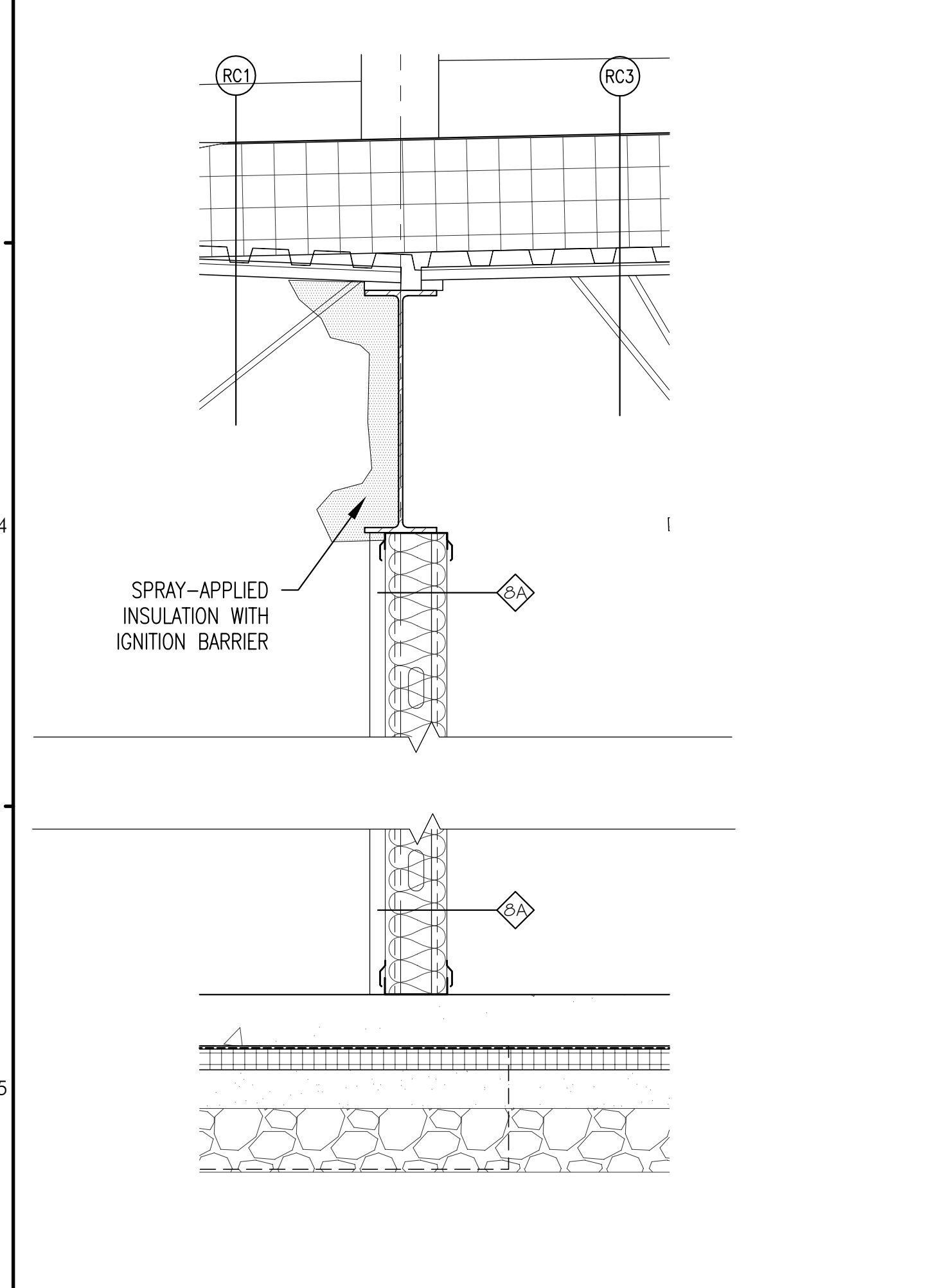
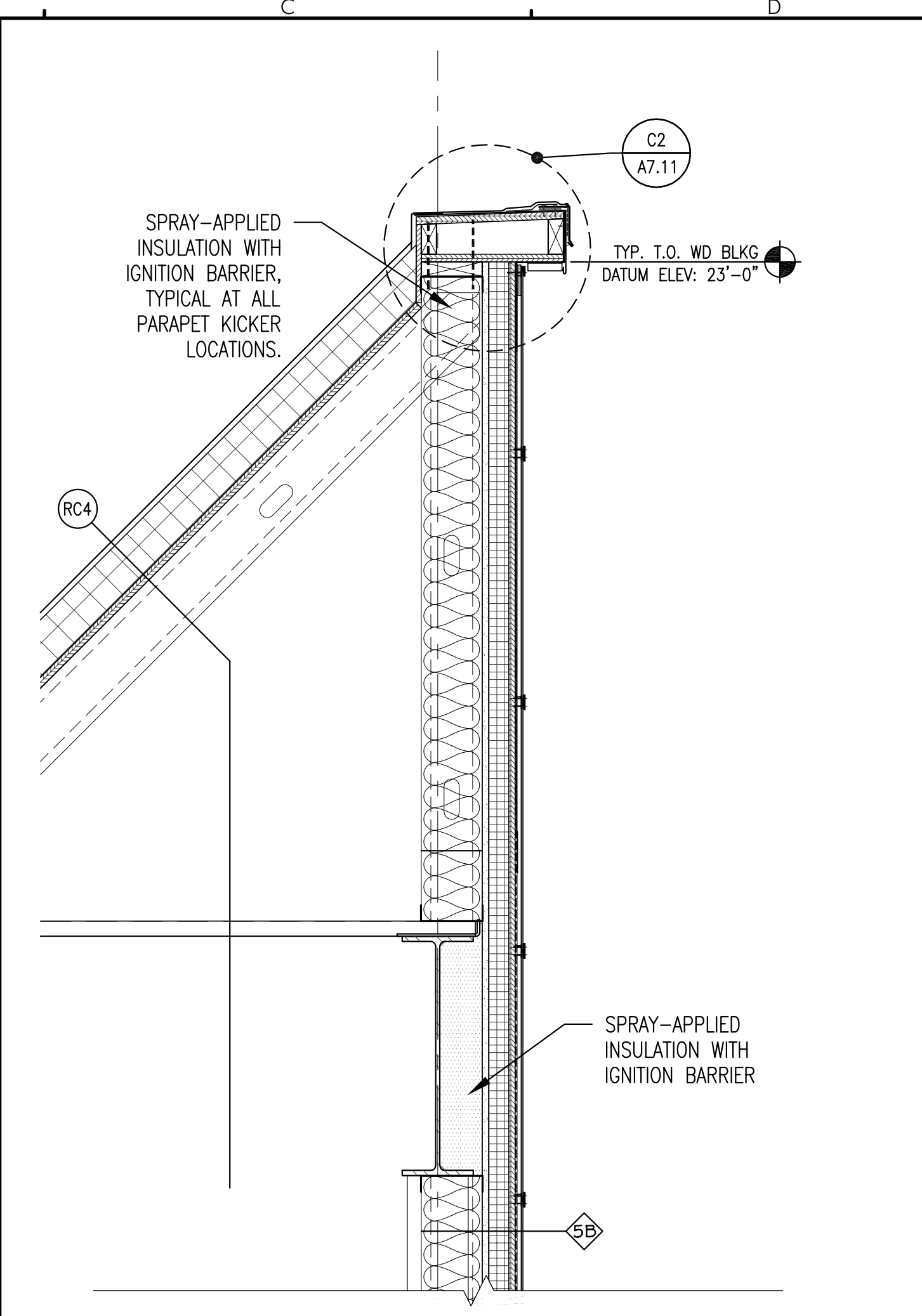


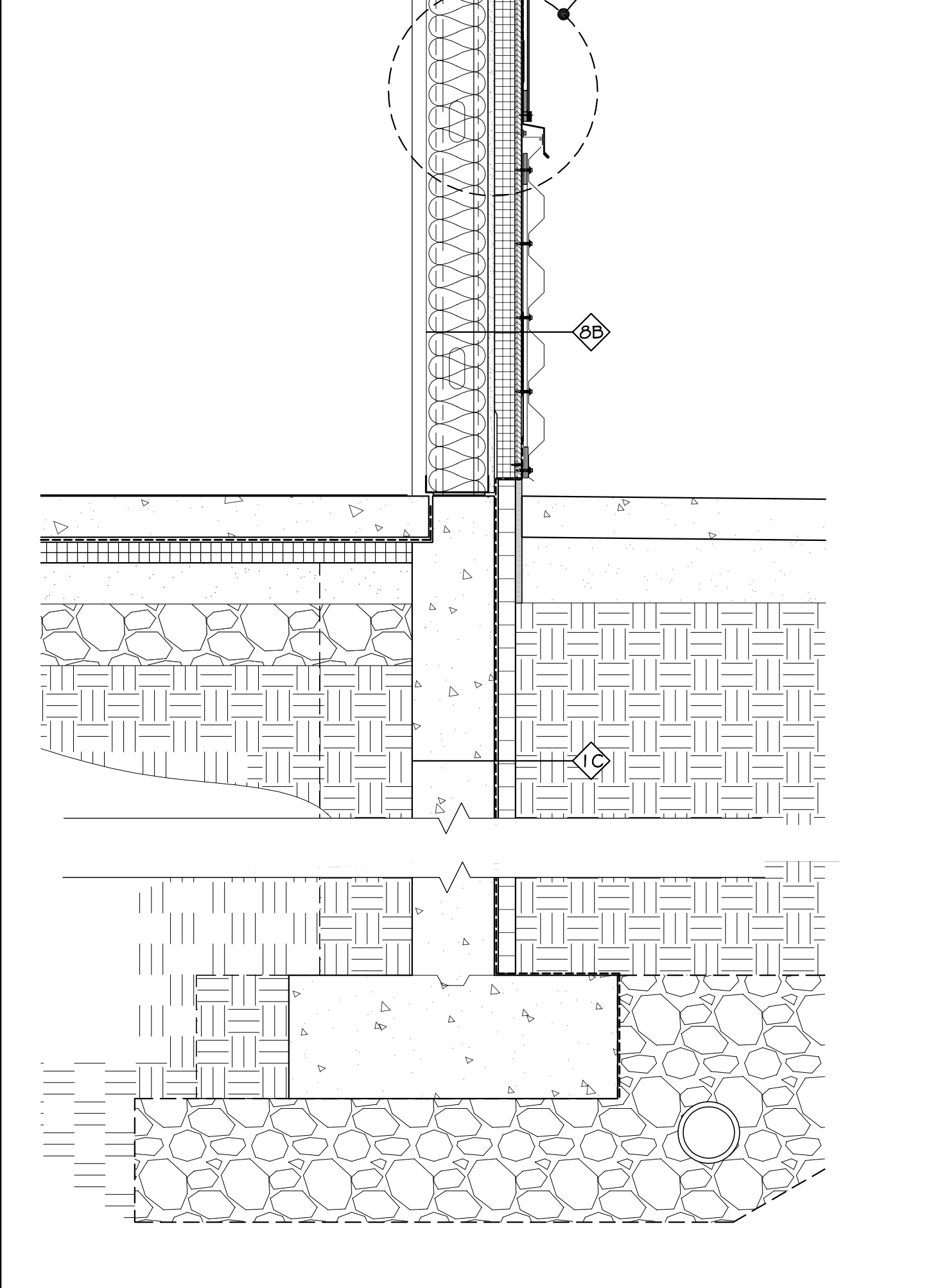
**A3** PARAPET - SECTION DETAIL  
 REFERENCED FROM: SCALE: 1" = 1'-0"



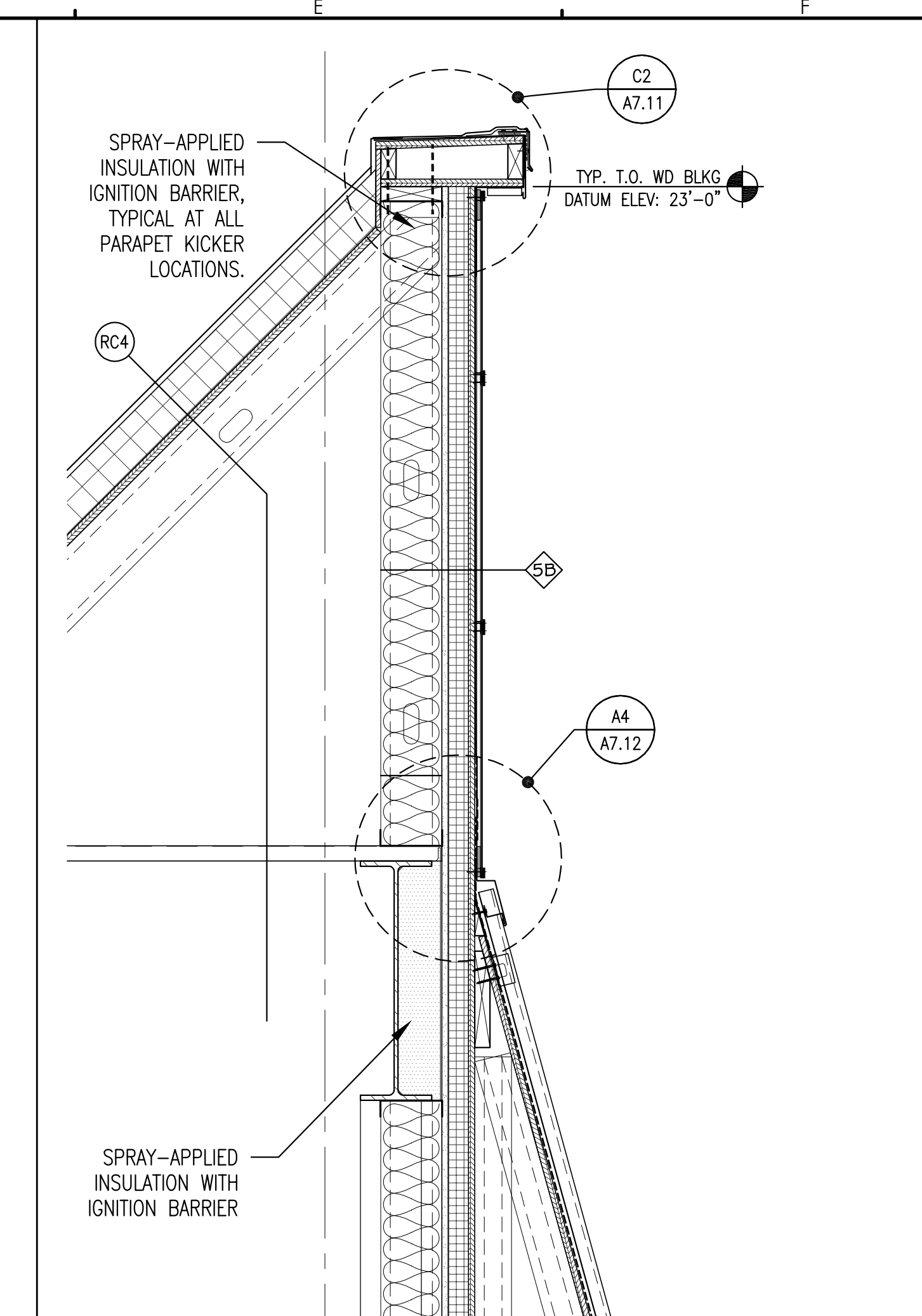
**A5** WALL SECTION 4 AT RETAIL A/B  
 REFERENCED FROM: PLANS SCALE: 1" = 1'-0"



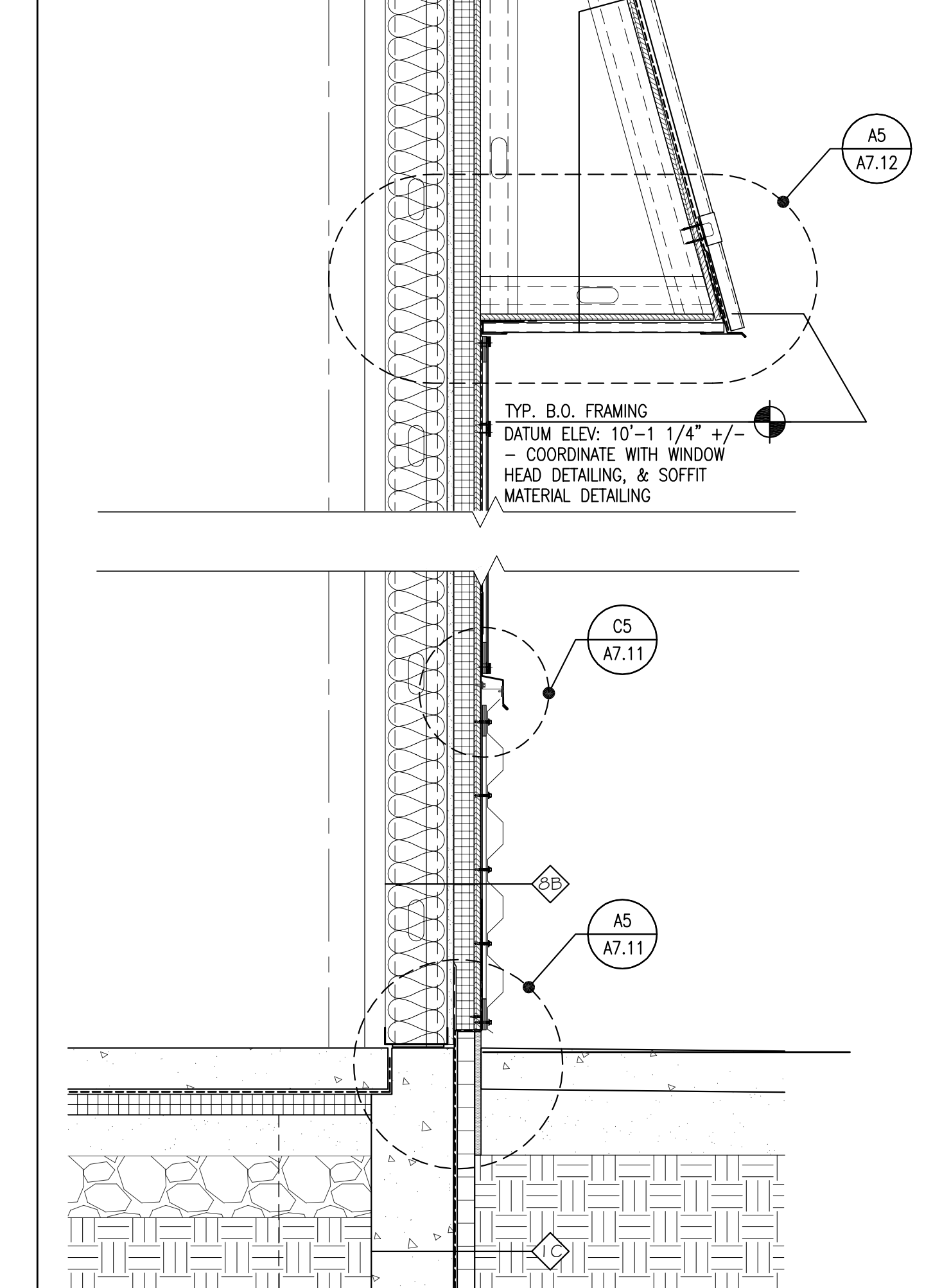
**C5** WALL SECTION 5 AT RETAIL A/B  
 REFERENCED FROM: PLANS SCALE: 1" = 1'-0"



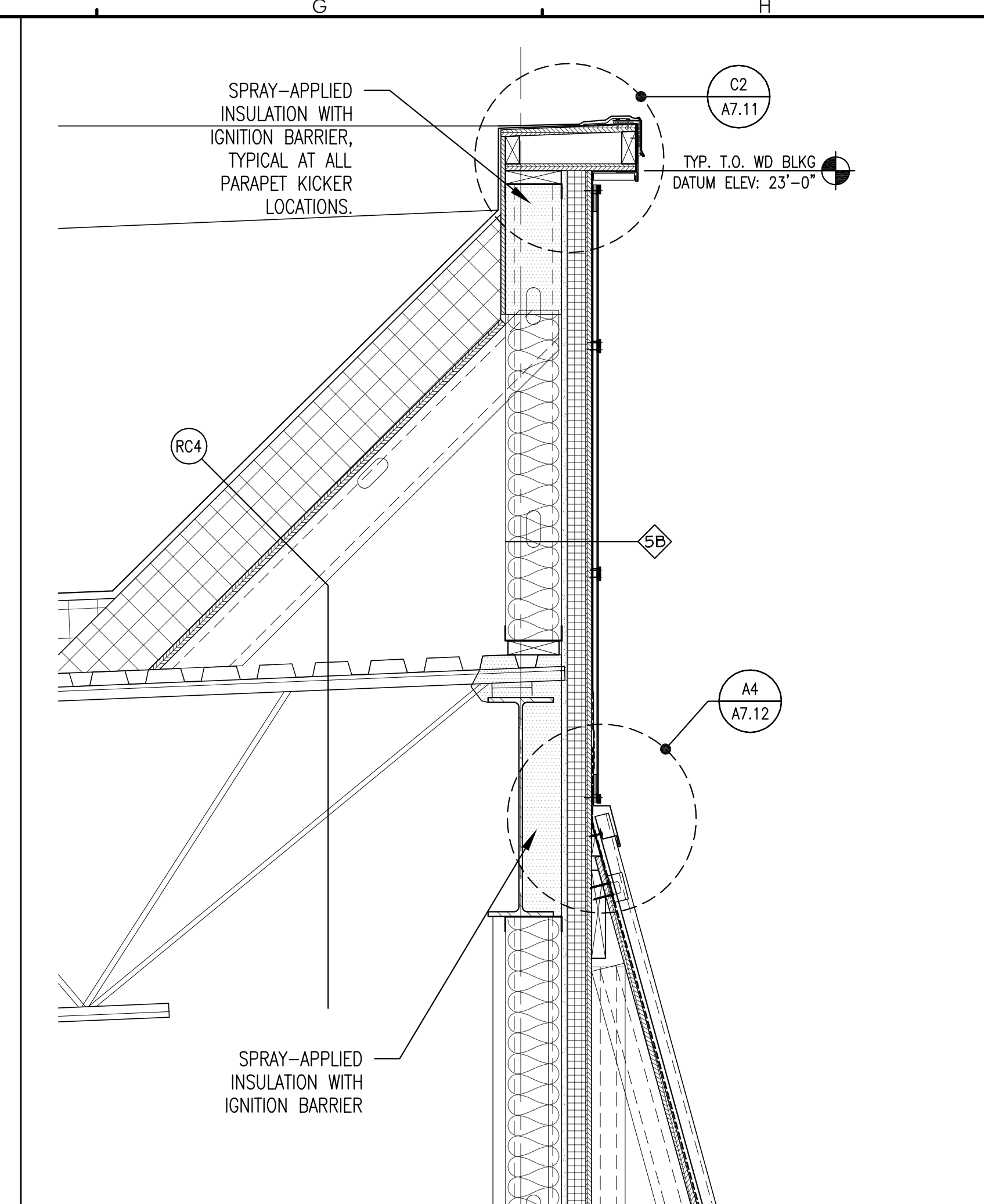
**C5** WALL SECTION 5 AT RETAIL A/B  
 REFERENCED FROM: PLANS SCALE: 1" = 1'-0"



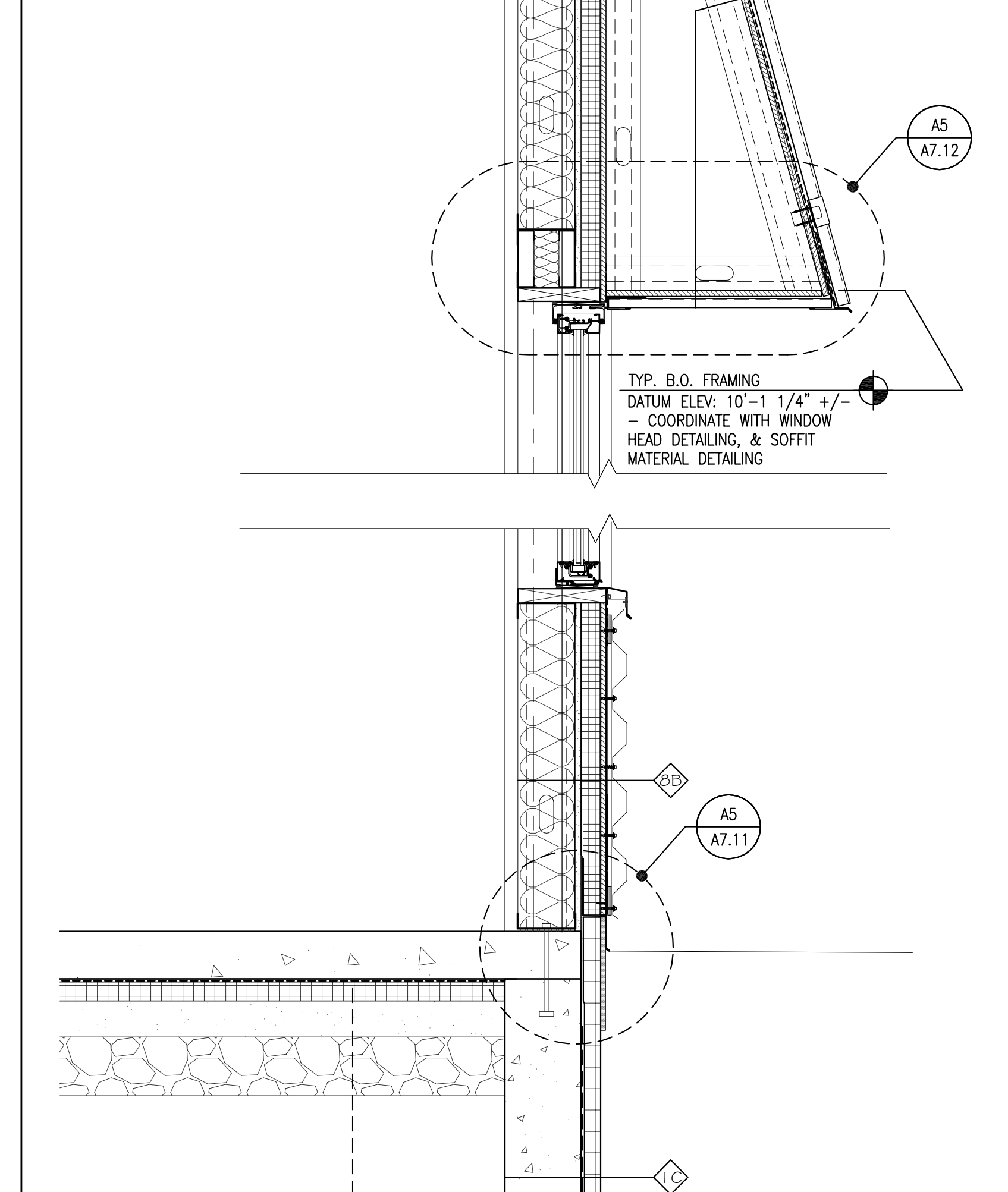
**E5** WALL SECTION 6 AT RETAIL A/B  
 REFERENCED FROM: PLANS SCALE: 1" = 1'-0"



**E5** WALL SECTION 6 AT RETAIL A/B  
 REFERENCED FROM: PLANS SCALE: 1" = 1'-0"



**G5** WALL SECTION 7 AT RETAIL A/B  
 REFERENCED FROM: PLANS SCALE: 1" = 1'-0"



**G5** WALL SECTION 7 AT RETAIL A/B  
 REFERENCED FROM: PLANS SCALE: 1" = 1'-0"



**CWS ARCHITECTS**  
 ARCHITECTURE | INTERIOR DESIGN  
 264 U.S. ROUTE ONE BOX 6, SUITE 100-2A  
 SCARBOROUGH, MAINE 04074  
 F: 207.774.4016  
 WWW.CWSARCH.COM

**OWNER**  
**EARL W. NOYES & SONS**  
**C/O PAUL URENECK**  
 4600 MAYFLOWER HILL  
 WATERVILLE, ME 04901  
 T: 207-859-4617

**PROJECT**  
**191 MARGINAL WAY**  
**RETAIL CENTER**  
 191 MARGINAL WAY  
 PORTLAND, MAINE 04101

**DRAWING**  
**WALL SECTIONS**  
 CWS PROJECT NUMBER: 15.063

REVISIONS

DRAWING NUMBER  
**A6.12**  
 SCALE: AS NOTED  
 DATE: 02/10/2017