

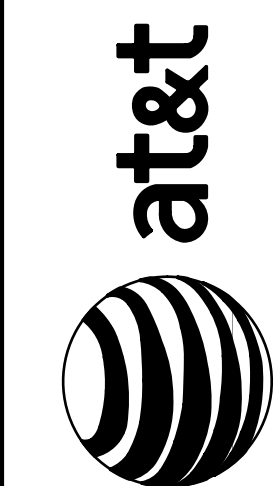
DATE: 08-14-08
 JOB NO: 2982
 DRAWN: AD
 CHECKED:



711 N. FIELDER RD.
 ARLINGTON, TX 76012
 PH: (817) 635-5696
 FAX: (817) 635-5699

PROJ. COORDINATOR
 15 South 2nd Street
 Philadelphia, PA 19106
 215.922.8930
 FAX: 215.922.4648

RICHARD M. COLE
 & ASSOCIATES



211 MARGINAL WAY
 PORTLAND, MAINE 04101



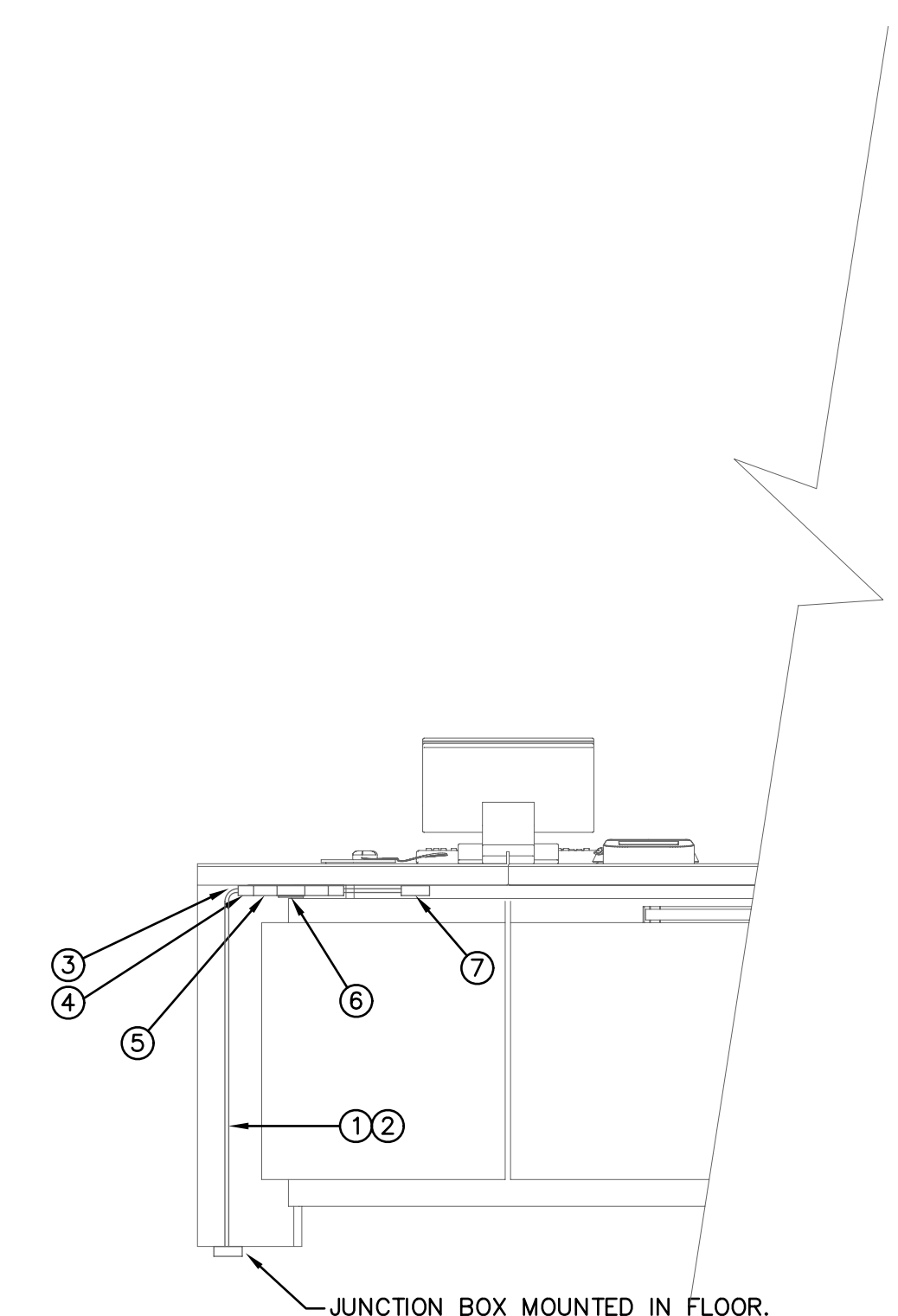
330 Walnut Street | 11th Floor
 Philadelphia, PA 19106
 TEL 215 923 8270
 FAX 215 923 8272
 www.mwce.net
 a subsidiary of URBAN ENGINEERS, INC.

REVISIONS

ELECTRICAL
 DETAILS-
 SHEET 1

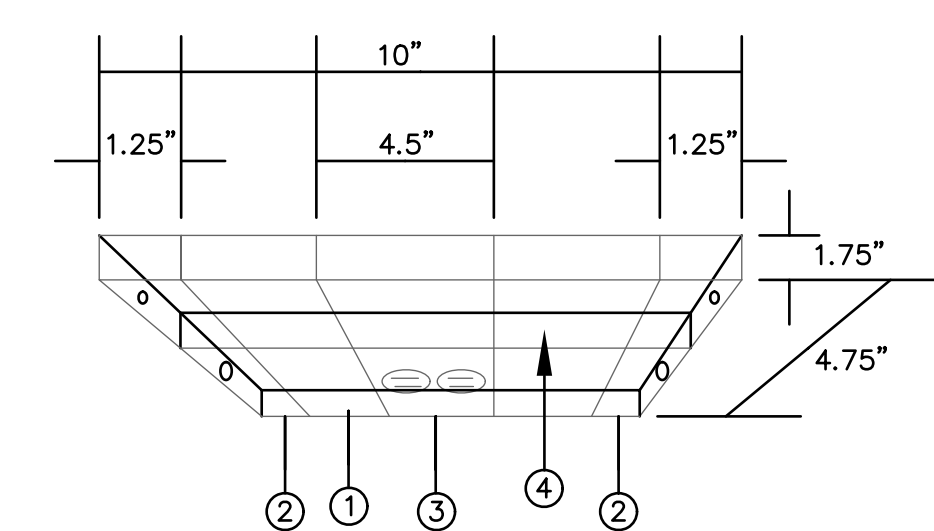
SHEET NUMBER

E3.1



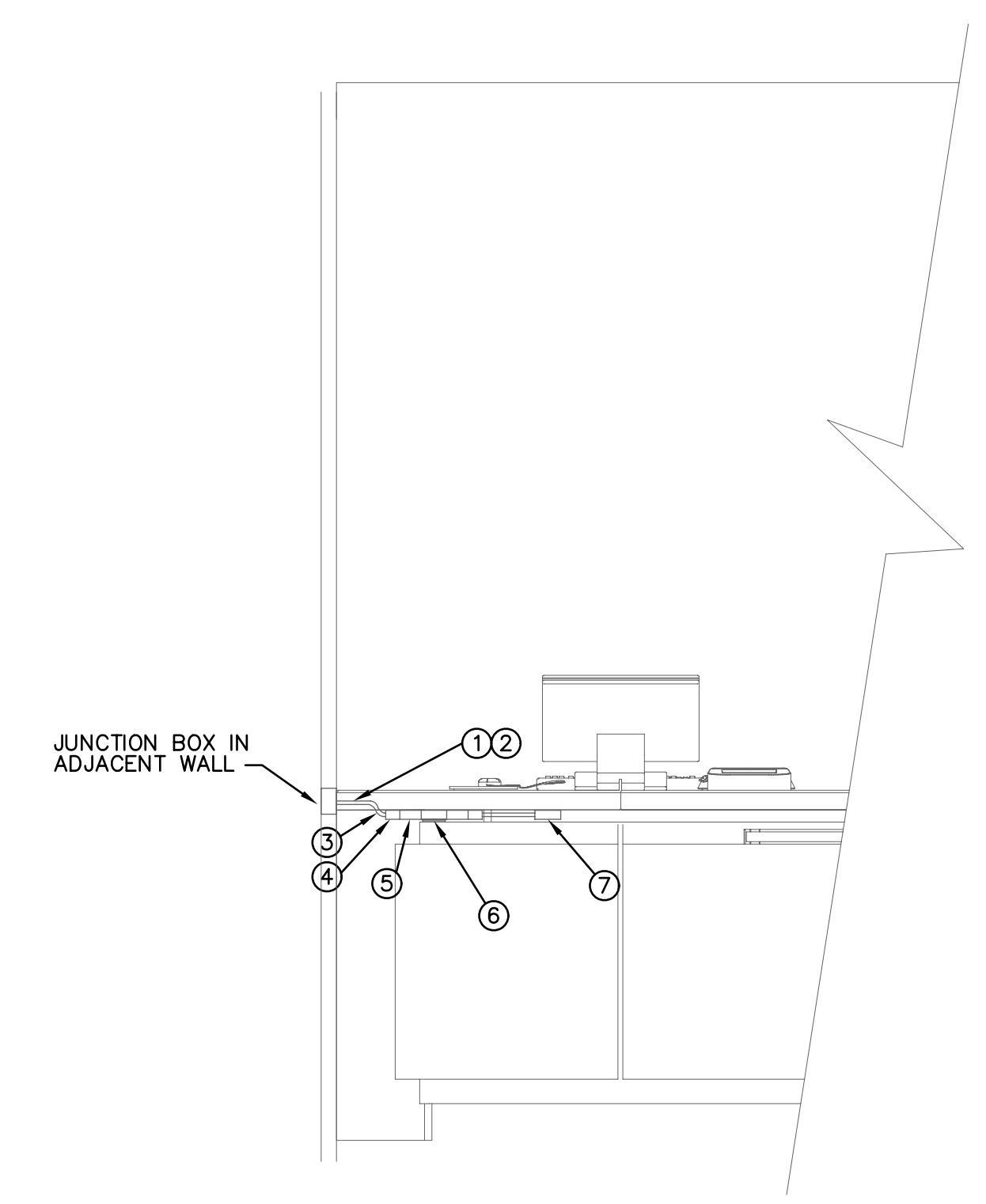
- NOTES:
- ROUTE LOW VOLTAGE CABLING WITHIN CASHWRAP CASEWORK UP TO COUNTER TOP AND INTO LOW VOLTAGE SECTION OF WIREMOLD MOUNTED BENEATH COUNTER.
 - MC CABLE ROUTED FROM JUNCTION BOX IN CEILING, WITHIN THE CASHWRAP CASEWORK, TO WIREMOLD MOUNTED BENEATH COUNTER.
 - 45° MC CONNECTOR BETWEEN MC CABLE AND WIREMOLD
 - WIREMOLD BASE WITH COVER
 - WIREMOLD
 - WIREMOLD DUPLEX RECEPTACLE DEVICE PLATE
 - CASEWORK CONNECTION JUNCTION BOX PROVIDED BY EC. ELECTRICAL CONTRACTOR TO PROVIDE WIRE AND MAKE ALL CONNECTIONS IN FIELD.

1 CASHWRAP DETAILS - ELEVATION
 E3.1 NONE



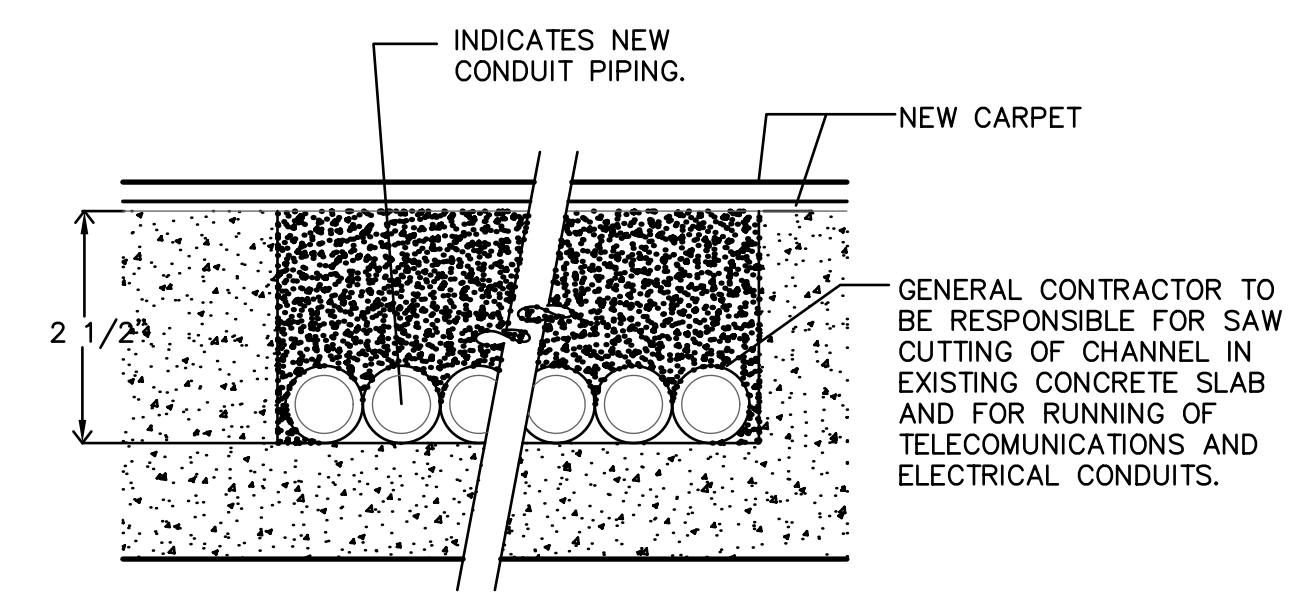
- NOTES:
- WIREMOLD V4000 B/C BASE WITH COVER
 - V4010B END FITTING
 - V4048B DUPLEX RECEPTACLE
 - G4000D DIVIDER

5 WIREMOLD EQUIPMENT DETAIL
 E3.1 NONE

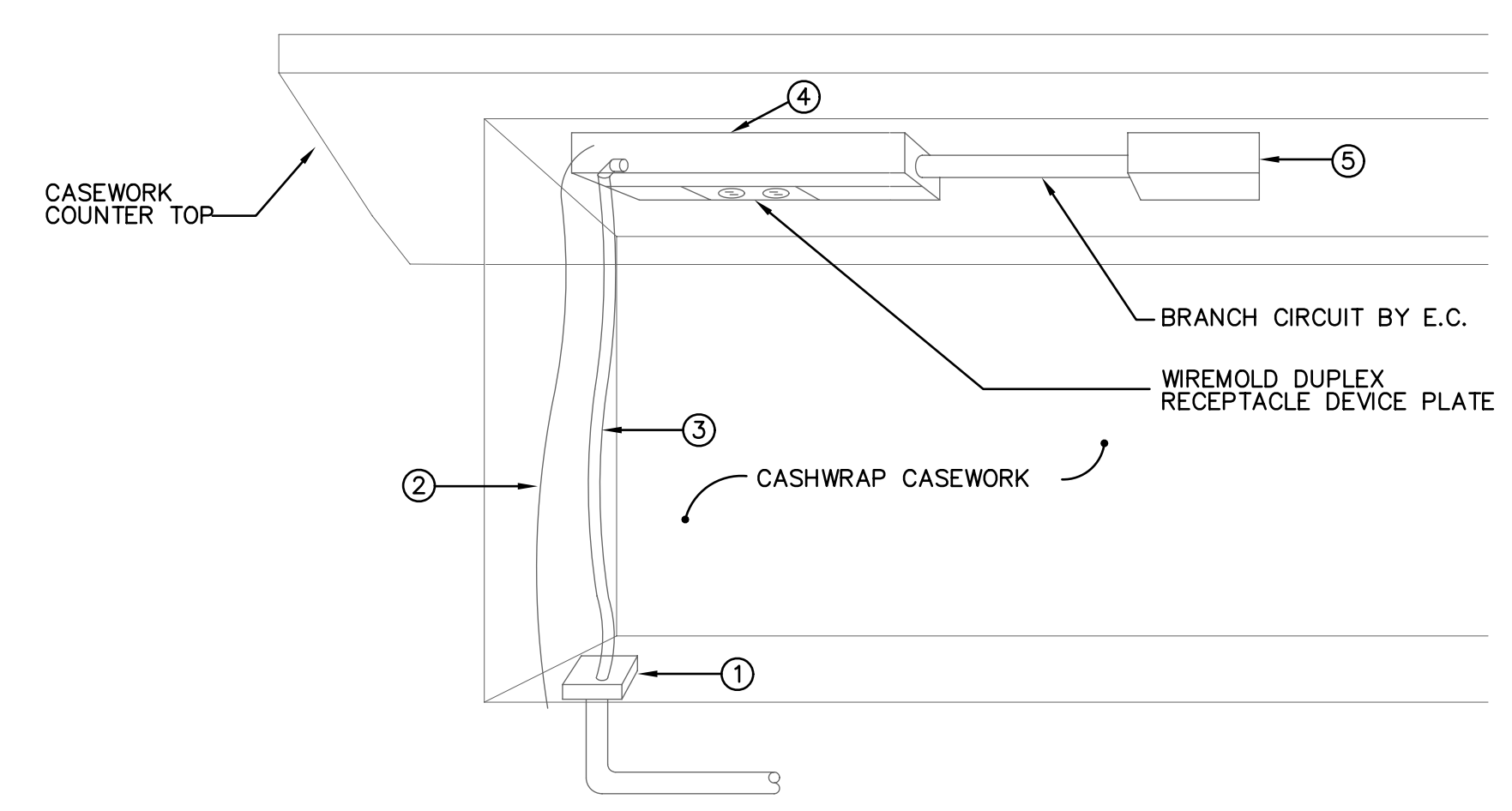


- NOTES:
- ROUTE LOW VOLTAGE CABLING WITHIN CASHWRAP CASEWORK TO COUNTER TOP AND INTO LOW VOLTAGE SECTION OF WIREMOLD MOUNTED BENEATH COUNTER.
 - MC CABLE ROUTED FROM JUNCTION BOX IN ADJACENT WALL, WITHIN THE CASHWRAP CASEWORK, TO WIREMOLD MOUNTED BENEATH COUNTER.
 - 45° MC CONNECTOR BETWEEN MC CABLE AND WIREMOLD
 - WIREMOLD BASE WITH COVER
 - WIREMOLD
 - WIREMOLD DUPLEX RECEPTACLE DEVICE PLATE
 - CASEWORK CONNECTION JUNCTION BOX PROVIDED BY EC. ELECTRICAL CONTRACTOR TO PROVIDE WIRE AND MAKE ALL CONNECTIONS IN FIELD.

2 CASHWRAP DETAILS - ELEVATION
 E3.1 NONE

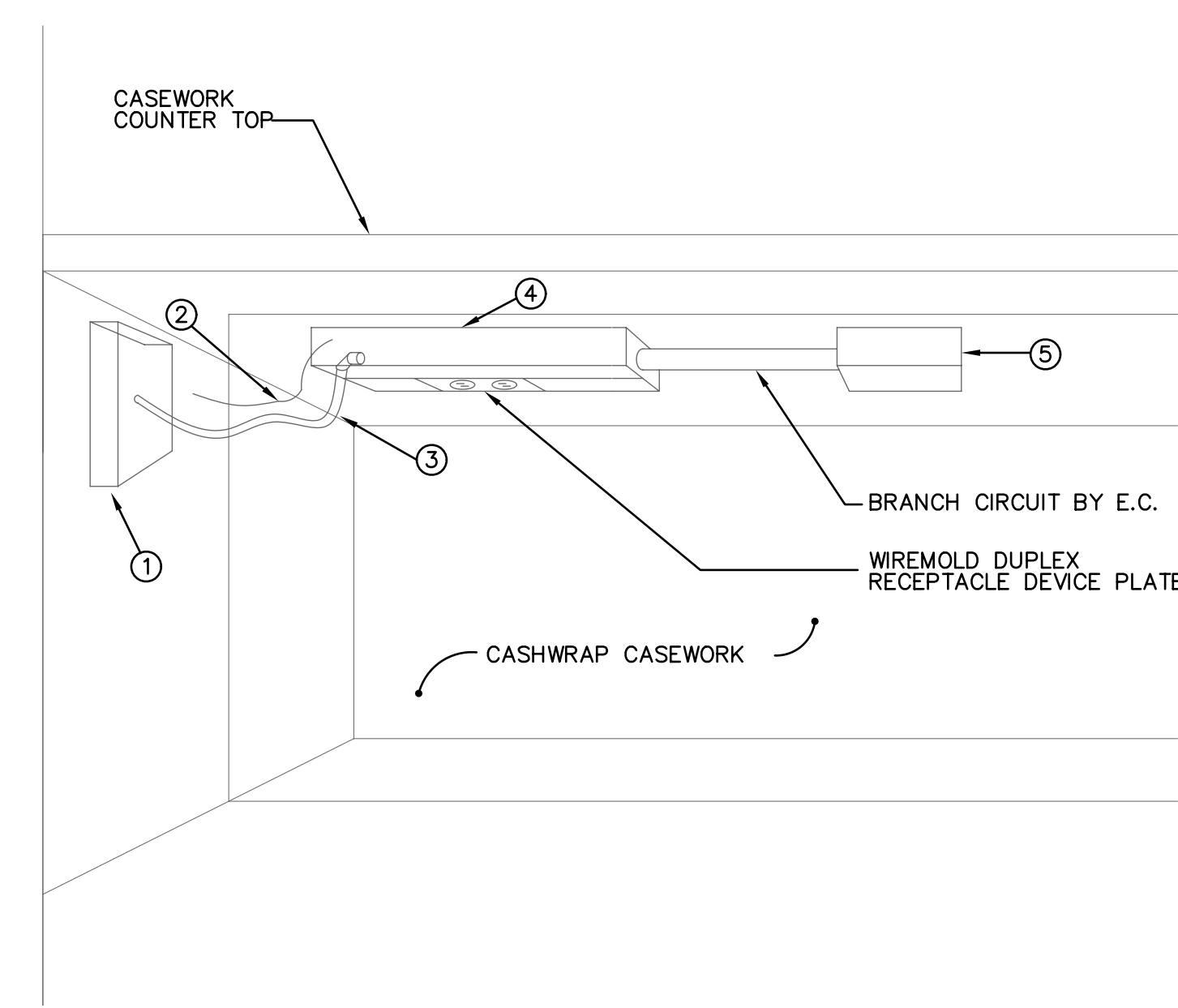


6 TRENCH DETAIL
 E3.1 NONE



- NOTES:
- JUNCTION BOX MOUNTED IN FLOOR.
 - LOW VOLTAGE CABLING ROUTED FROM FLOOR, WITHIN THE CASHWRAP CASEWORK, UP INTO WIREMOLD MOUNTED BENEATH COUNTER.
 - MC CABLE ROUTED FROM JUNCTION BOX IN FLOOR, WITHIN THE CASHWRAP CASEWORK, INTO WIREMOLD MOUNTED BENEATH COUNTER.
 - WIREMOLD MOUNTED BENEATH COUNTER
 - CASEWORK JUNCTION BOX PROVIDED BY EC. ELECTRICAL CONTRACTOR TO PROVIDE WIRE AND MAKE CONNECTIONS IN FIELD. COORDINATE FINAL ELECTRICAL CONNECTIONS WITH CASEWORK INSTALLER.

3 CASHWRAP DETAIL - PERSPECTIVE
 E3.1 NONE



- NOTES:
- JUNCTION BOX MOUNTED IN ADJACENT WALL.
 - LOW VOLTAGE CABLING ROUTED FROM WALL, WITHIN THE CASHWRAP CASEWORK, INTO WIREMOLD MOUNTED BENEATH COUNTER.
 - MC CABLE ROUTED FROM JUNCTION BOX IN FLOOR, WITHIN THE CASHWRAP CASEWORK, INTO WIREMOLD MOUNTED BENEATH COUNTER.
 - WIREMOLD MOUNTED BENEATH COUNTER
 - CASEWORK JUNCTION BOX PROVIDED BY EC. ELECTRICAL CONTRACTOR TO PROVIDE WIRE AND MAKE CONNECTIONS IN FIELD. COORDINATE FINAL ELECTRICAL CONNECTIONS WITH CASEWORK INSTALLER.

4 CASHWRAP DETAIL - PERSPECTIVE
 E3.1 NONE