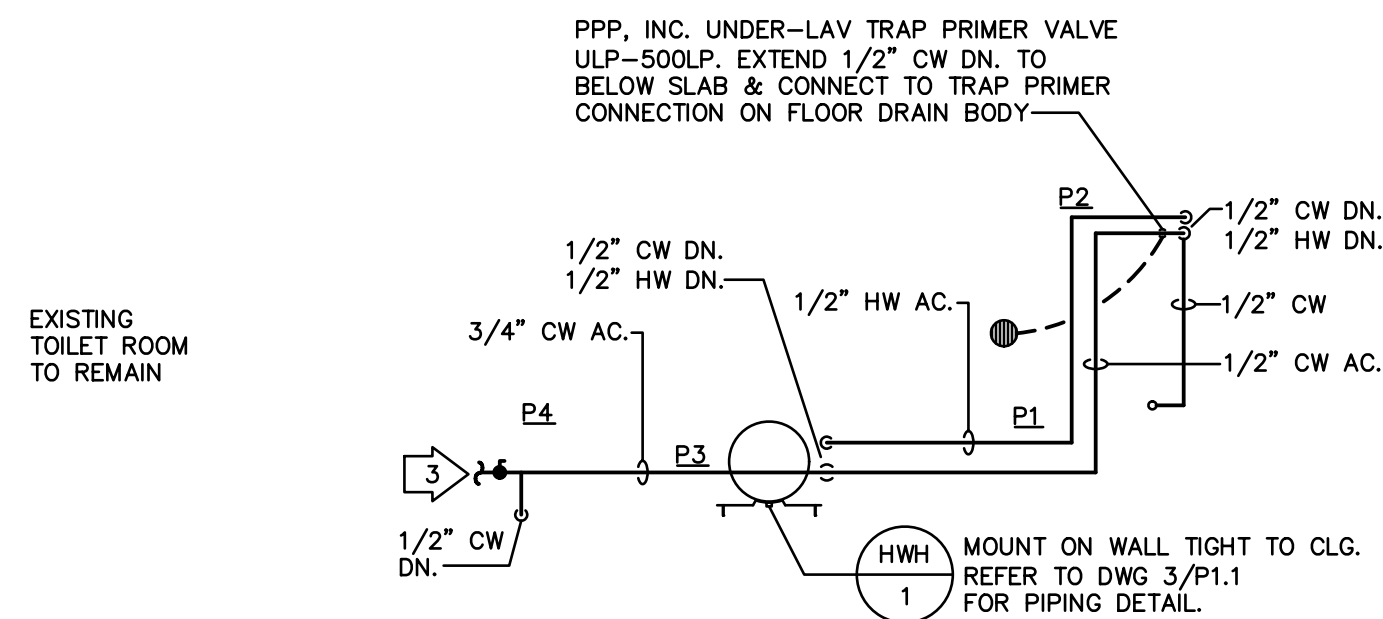


1 SANITARY NEW WORK PLAN

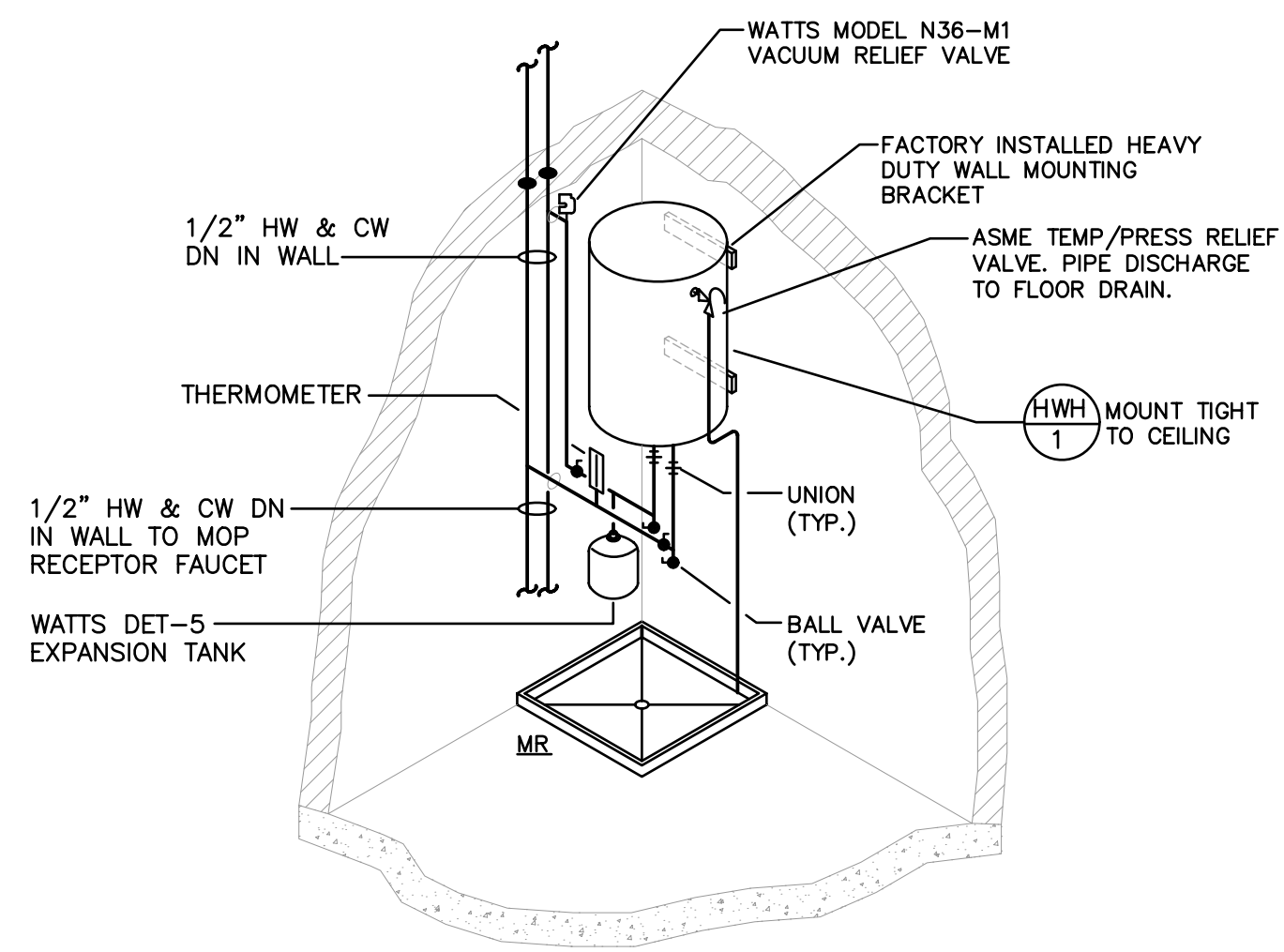


2 DOMESTIC WATER NEW WORK PLAN

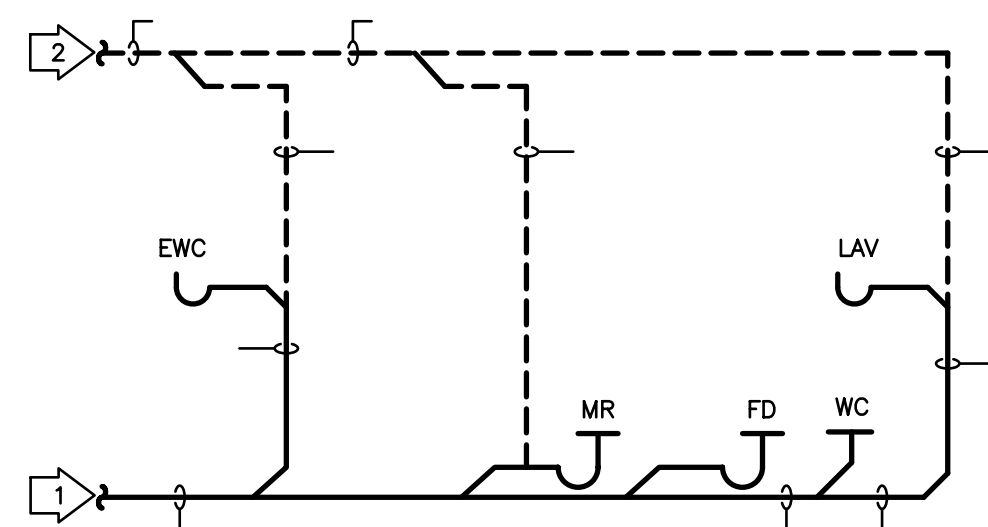


FLAG NOTES:

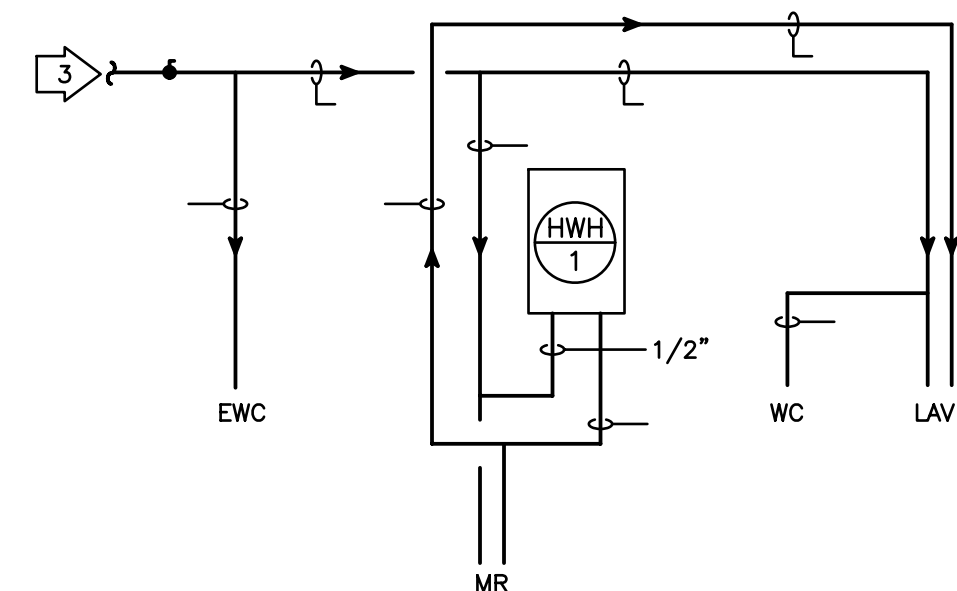
- CONNECT NEW 4" S. TO EXISTING SANITARY LINE. VERIFY EXACT LOCATION AND CONNECTION POINT IN FIELD.
- CONNECT NEW 2" V. TO EXISTING VENT SYSTEM. VERIFY EXACT LOCATION AND CONNECTION POINT IN FIELD.
- CONNECT NEW 3/4" CW TO EXISTING COLD WATER LINE. VERIFY EXACT LOCATION AND CONNECTION POINT IN FIELD. PROVIDE WATER METER AND BACKFLOW PREVENTER AS REQUIRED.



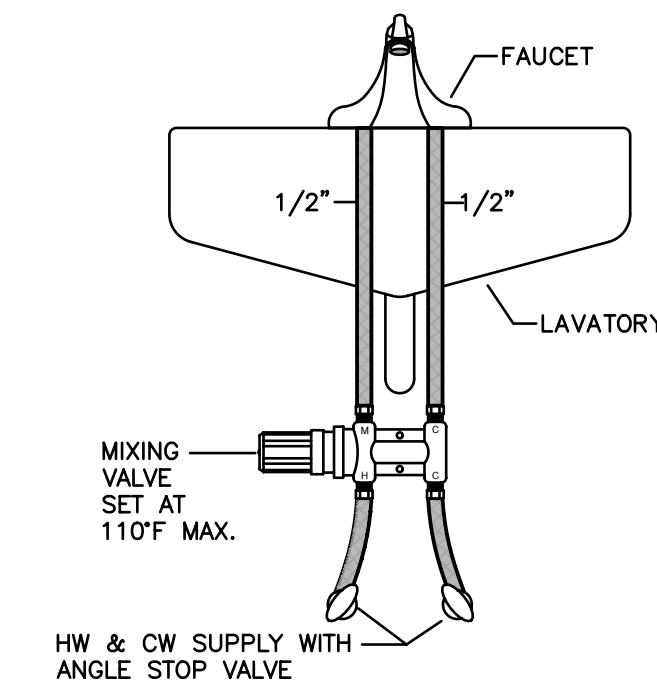
3 WATER HEATER PIPING DIAGRAM
SCALE: N.T.S.



4 SANITARY RISER DIAGRAM
SCALE: N.T.S.



5 DOMESTIC WATER RISER DIAGRAM
SCALE: N.T.S.



6 MIXING VALVE UNDER LAVATORY
SCALE: N.T.S.

PLUMBING PIPE AND FITTING SCHEDULE

System	Diameter inches	Material	Pipe Designation	Schedule	Fitting		Joint	Remarks
					Material	Pressure		
SANITARY, WASTE & VENT	1-1/4"-1-1/2"	COPPER	ASTM B88	DWV	DWV	DRAINAGE	SOLDER	NOTE 1
	2" & LARGER	CAST IRON	ASTM A74	STD. WEIGHT	CAST IRON	DRAINAGE	NOTE 1	
DOMESTIC WATER	ALL	COPPER	ASTM B88	TYPE L	WROT COPPER	125#	SOLDER	ABOVE GRADE
	1/2"-3/4"	COPPER	ASTM B88	TYPE K	WROT COPPER	125#	SOLDER	BELOW GRADE

NOTE 1: IN ACCORDANCE WITH CODES AND AUTHORITIES HAVING JURISDICTION.

PLUMBING INSULATION SCHEDULE

Item	Manufacturer	Type	Jacket	Thickness	Remarks
DOMESTIC HW & CW PIPING	OWENS-CORNING # 25 ASJ/SSC	MINERAL FIBER	ALL PURPOSE	1"	NOTE 1
DOMESTIC HW & CW SUPPLY & DRAIN	OWENS-CORNING # 25 ASJ/SSC	MINERAL FIBER	ALL PURPOSE	1"	EXPOSED SUPPLIES & DRAINS FOR FIXTURES FOR THE DISABLED

NOTE 1: ALL CW FITTINGS, VALVES & SPECIALTIES SHALL BE INSULATED SAME AS PIPING.

PLUMBING FIXTURE SCHEDULE

No.	Symbol	Model Number	Faucet/Valve	Trim/Seat	Remarks
1	WC	2377.100	-	BEMIS 1955SSFR	
2	LAV	0356.041	SYMMONS S-20-G		WATTS USG-B TEMPERING VALVE
3	MR	FIAT MSB2424	FIAT 830-AA		FIAT E-77-A, MSG2424, 889-CC & 832-AA
4	EWC	ELKAY EZTLBC	-		

NOTE 1: FIXTURES BASED ON AMERICAN STANDARD UNLESS OTHERWISE NOTED.

NOTE 2: REFER TO ARCHITECTURAL PLANS FOR LOCATION OF FIXTURES TO BE DESIGNATED BARRIER FREE.

NOTE 3: REFER TO ARCHITECTURAL PLANS FOR FIXTURE MOUNTING HEIGHTS.

ELECTRIC WATER HEATER SCHEDULE

No.	Gallon	Recovery @ 90°F	KW	Volts	Phase	Manufacturer & Model No.	Remarks
1	19	7 GPH	1.5	120	1	BRADFORD WHITE LD-IH20L3-1	SET TEMPERATURE @ 120°F MAX.

FLOOR DRAINS

Type	Function	Manufacturer & Model No.	Remarks
FD	FLOOR DRAIN	JAY R. SMITH 2005-P050	6" ROUND STRAINER, 1/2" PRIMER TAP

PLUMBING FIXTURE RUNOUT SCHEDULE

Fixture	Symbol	Waste	Cold Water	Hot Water	Remarks
WATER CLOSET	WC	4"	1/2"	-	
LAVATORY	LAV	1-1/4"	1/2"	1/2"	NOTE 1
MOP RECEPTOR	MR	3"	1/2"	1/2"	
WATER COOLER	EWC	1-1/4"	1/2"	-	NOTE 1
FLOOR DRAIN	FD	3"	-	-	

NOTE 1: 2" FOR DRAINS BELOW GRADE.

DATE: 08-14-08

JOB NO: 2982

DRAWN: GJL

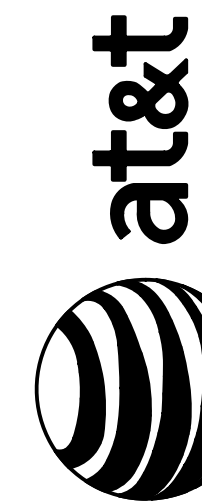
CHECKED:



711 N. FIELDER RD.
ARLINGTON, TX 76012
PH: (817) 635-5696
FAX: (817) 635-5699

PROJ. COORDINATOR
11 South 1st Street
Philadelphia, PA 19106
PH: 215.261.2000
FAX: 215.261.2000

RICHARD M. COLE
& ASSOCIATES



211 MARGINAL WAY
PORTLAND, MAINE 04101



530 Walnut Street | 11th Floor
Philadelphia, PA 19106
TEL 215 923 8270
FAX 215 923 8272
www.mwce.net
a subsidiary of URBAN
ENGINEERS, INC.

REVISIONS

PLUMBING PLAN

SHEET NUMBER

P1.1