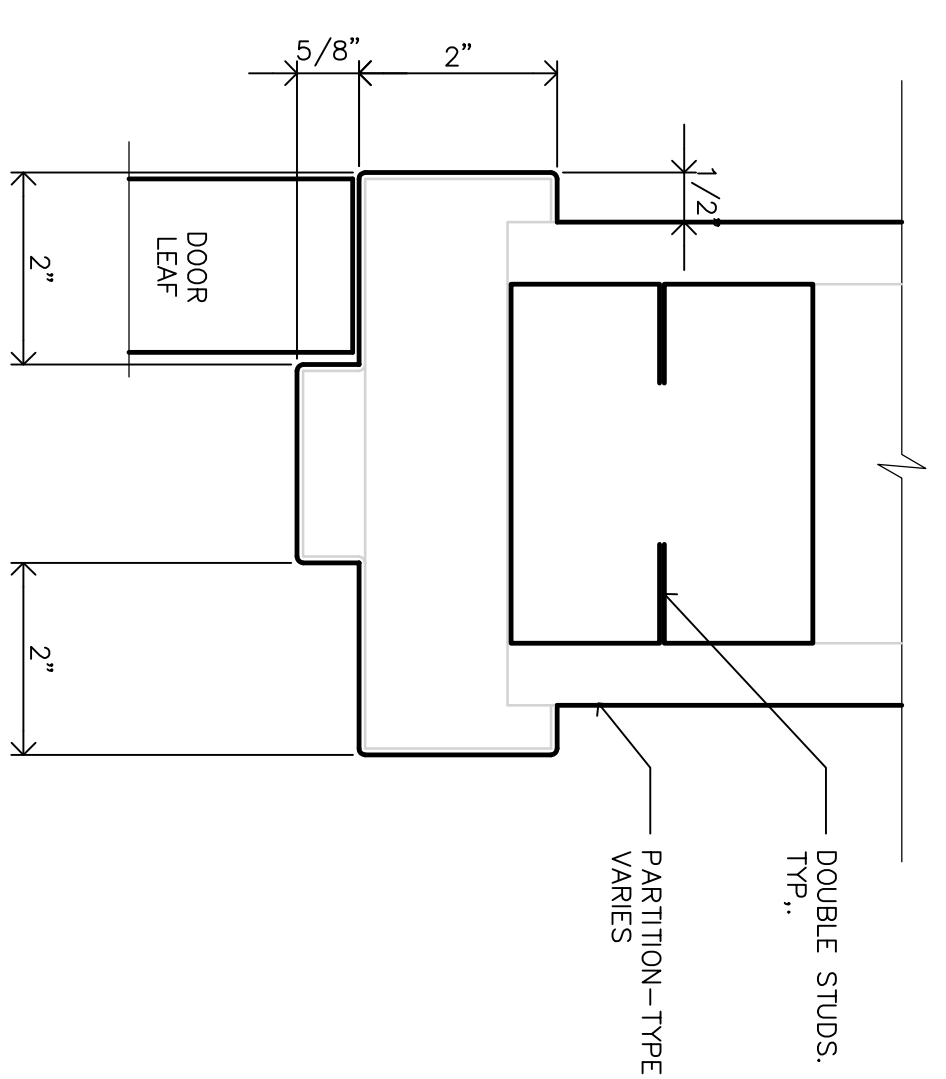
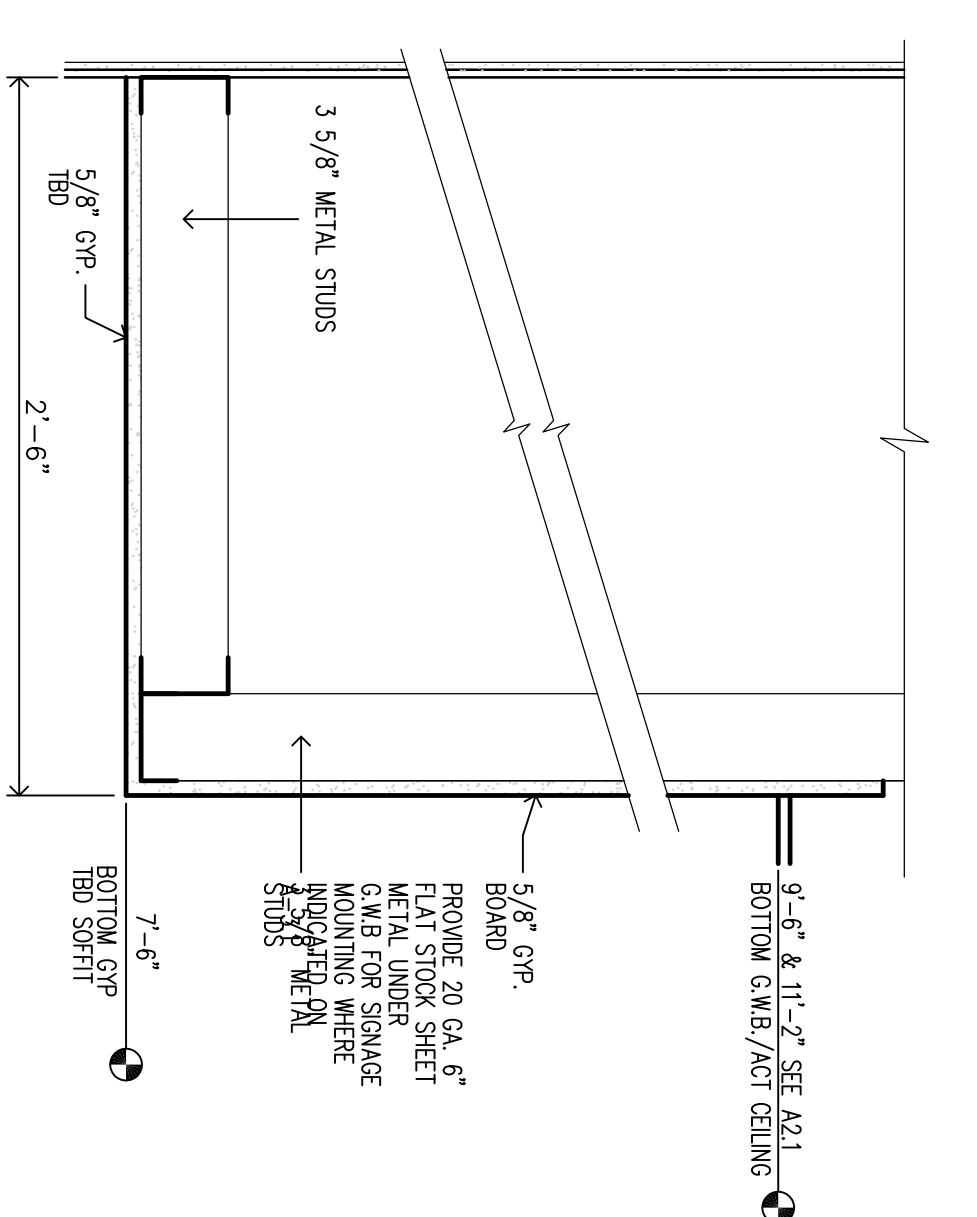


1 INSTALLATION OF SUSPENDED ACOUSTICAL CEILING SYSTEMS
A-6.3 1/4" - 1'-0"

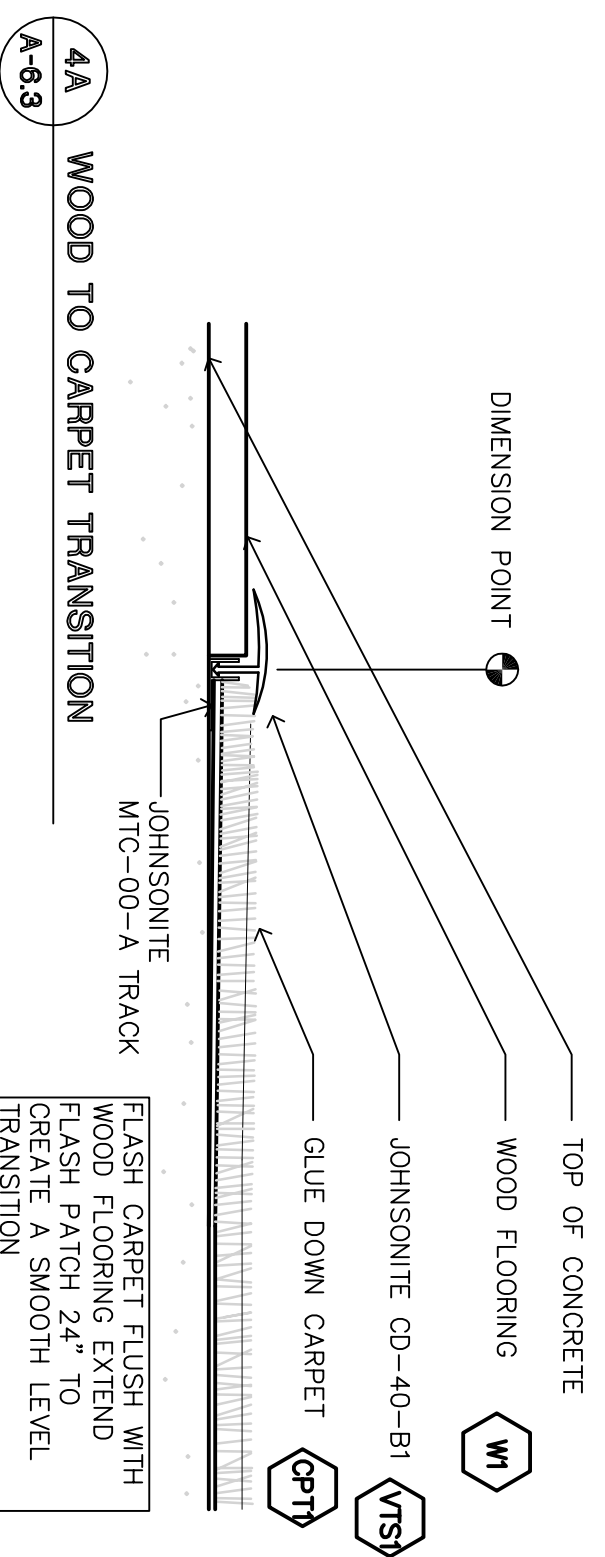
NOTE: COMPLY WITH ALL LOCAL AND STATE CODES AS PER ASTM C635 AND 636



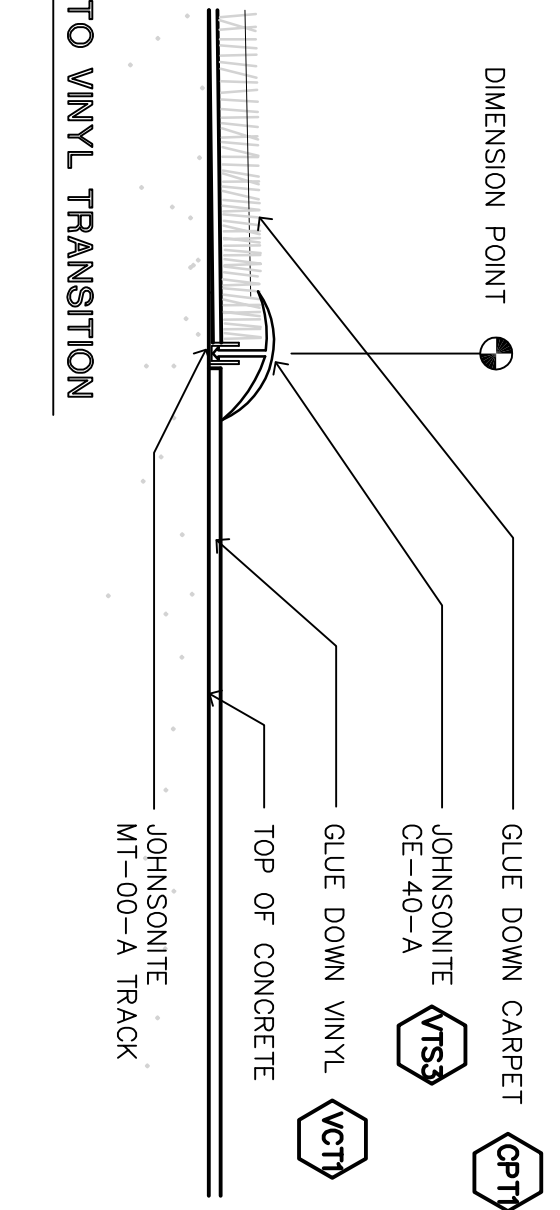
2 HOLLOW METAL FRAME-DOOR JAMB (HEAD SIM)
A-6.3 9\"/>



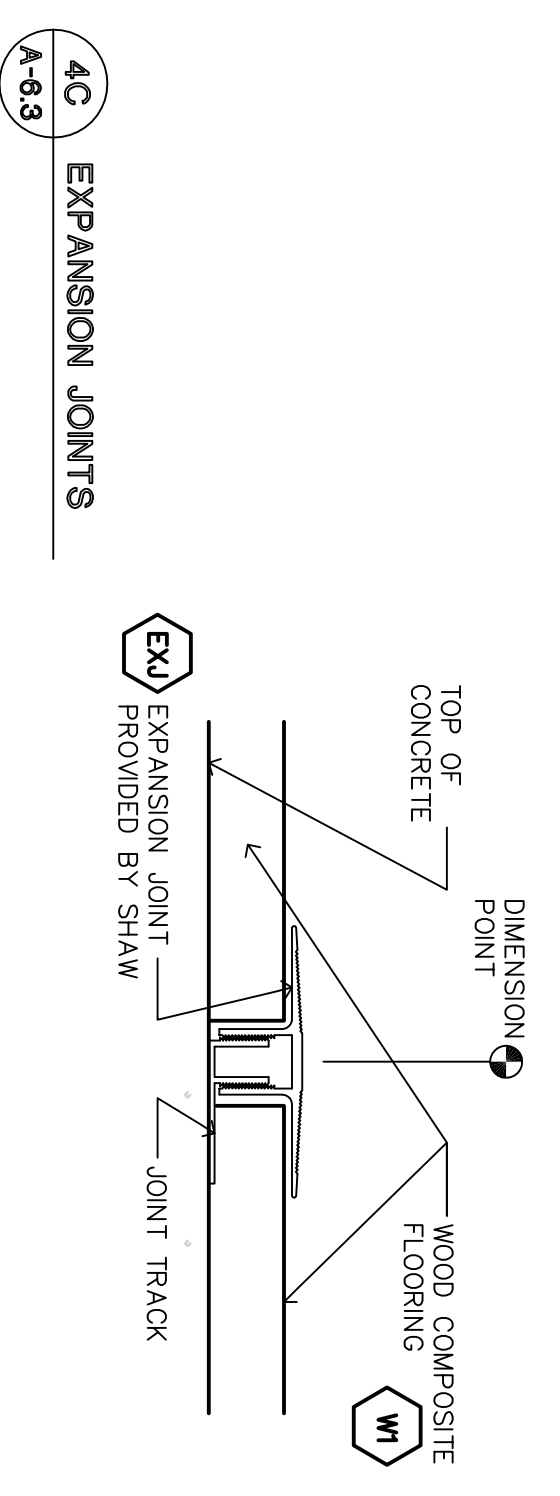
3 SOFFIT DETAIL
A-6.3 1/2" - 1'-0"



4A WOOD TO CARPET TRANSITION
A-6.3



4B CARPET TO VINYL TRANSITION
A-6.3

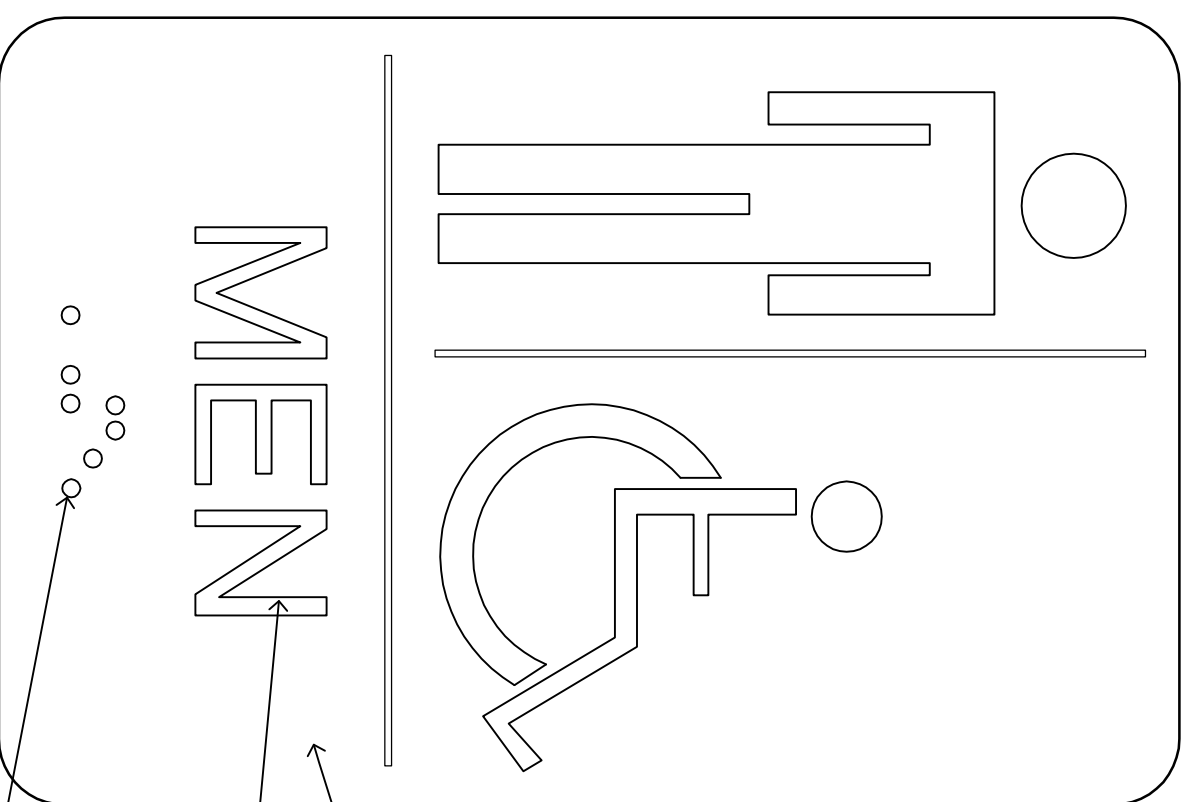


4C EXPANSION JOINTS
A-6.3

ADA SIGNAGE GUIDELINES - CHAPTER 4.30

1. SIGNS WHICH DESIGNATE PERMANENT ROOMS AND SPACES, REGULATIONS REQUIRE THAT SIGNAGE HAVE TACTILE (RAISED) LETTERING, BRAILLE AND PICTOGRAMS (WHERE APPLICABLE), MOUNTED IN A SPECIFIC LOCATION.
A. LETTERS AND NUMBERS SHALL BE RAISED A MINIMUM OF 1/32\"/>

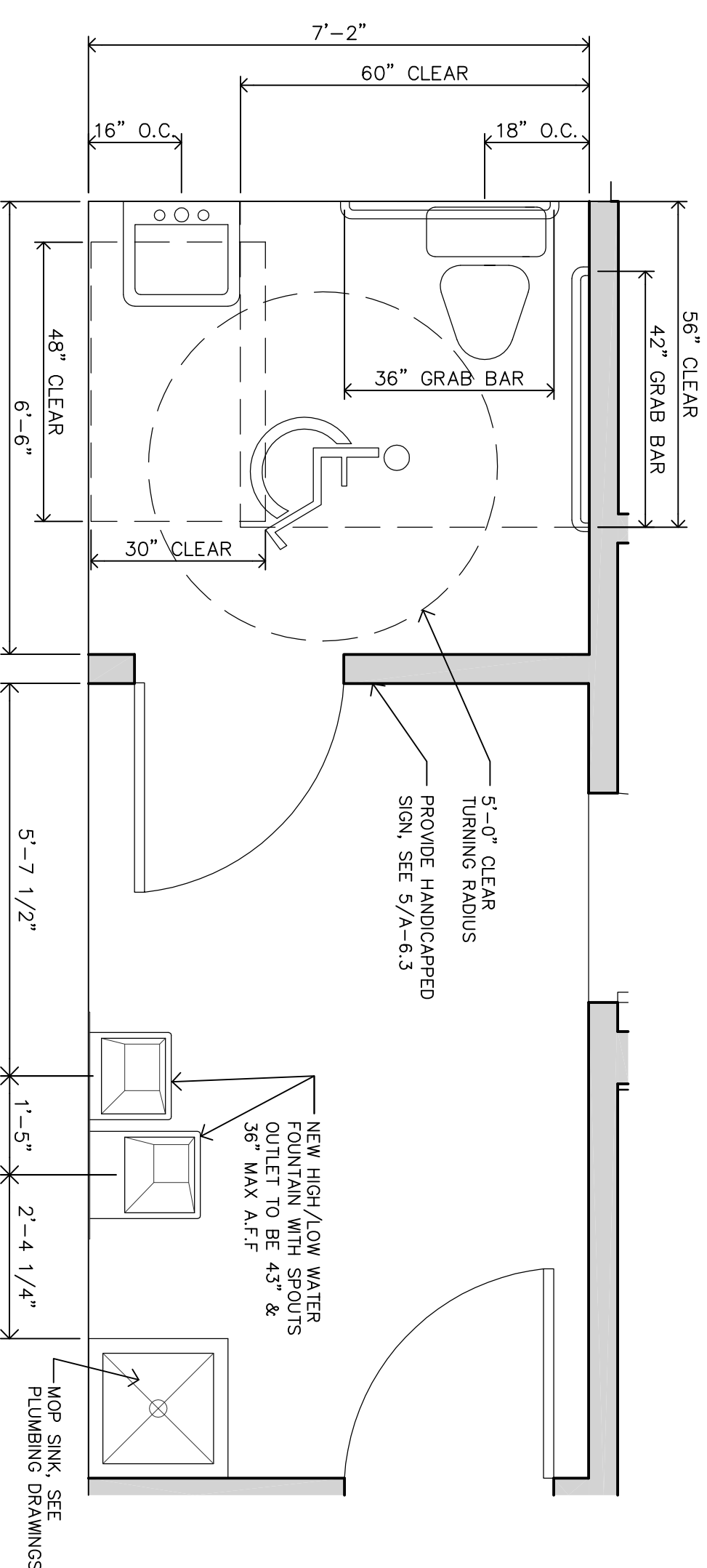
2. SIGNAGE LOCATION AND MEASUREMENTS: THE CENTER OF THE SIGN SHOULD MEASURE 60\"/>



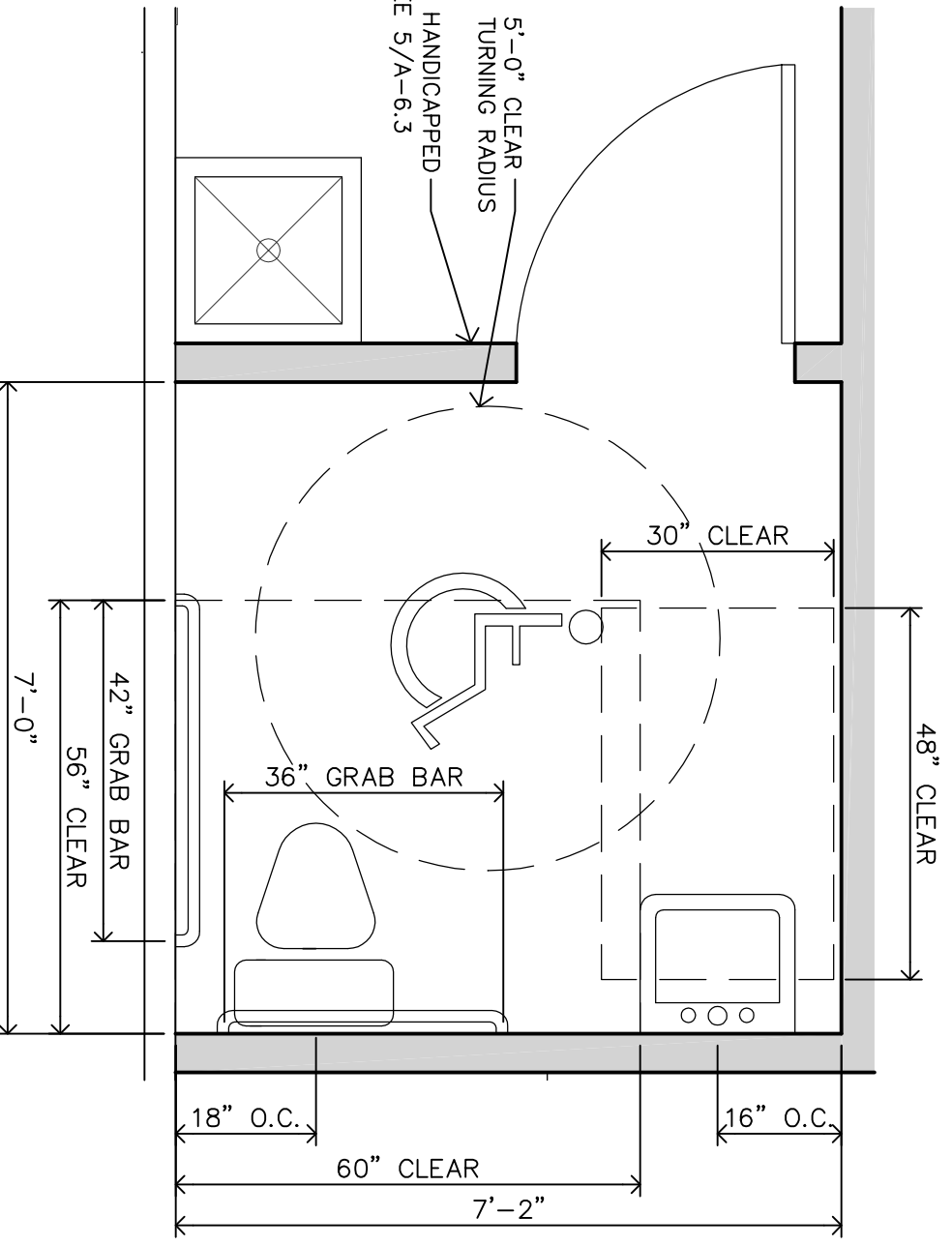
5 TYPICAL TOILET ROOM SIGNAGE
A-6.3 NO SCALE

BACKGROUND: NON-GLARE FINISH TACTILE CHARACTERS CONTRAST WITH BACKGROUND
TACTILE (RAISED) CHARACTERS:
LINE SPACING - 135% - 170%
MOUNTING HEIGHT - 48\"/>

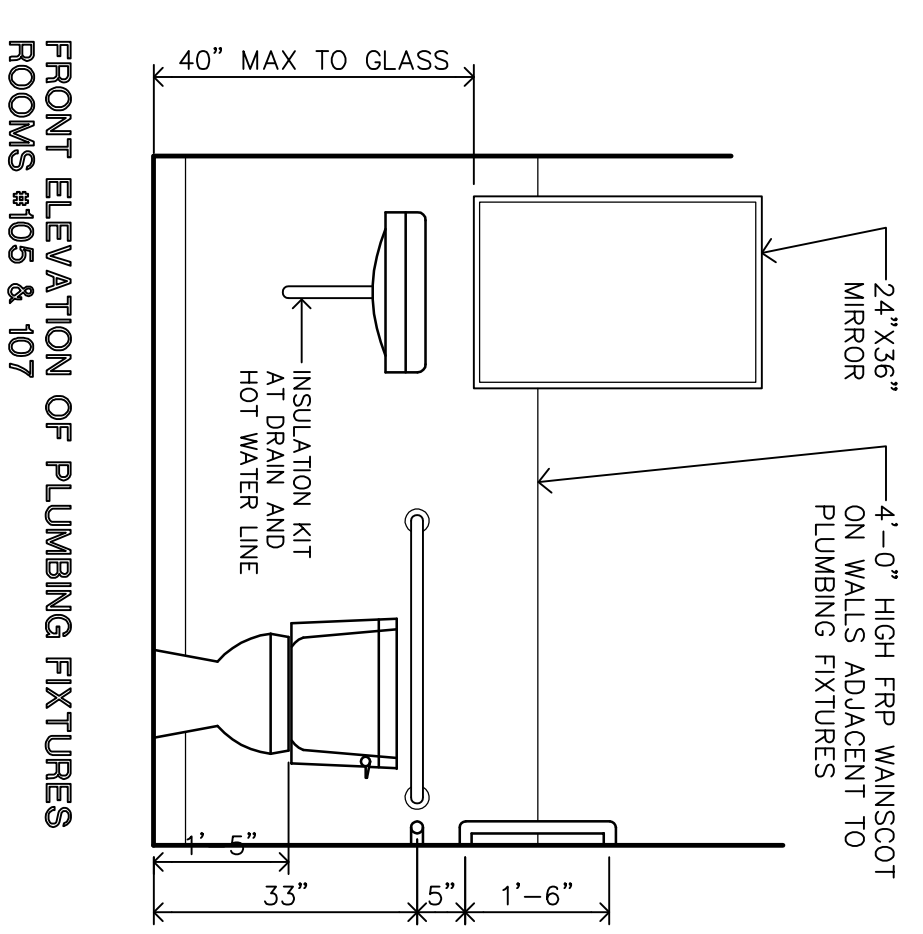
NOTE: GC TO PROVIDE (1) SIGN PER TOILET ROOM, COORDINATE PER LOCATION



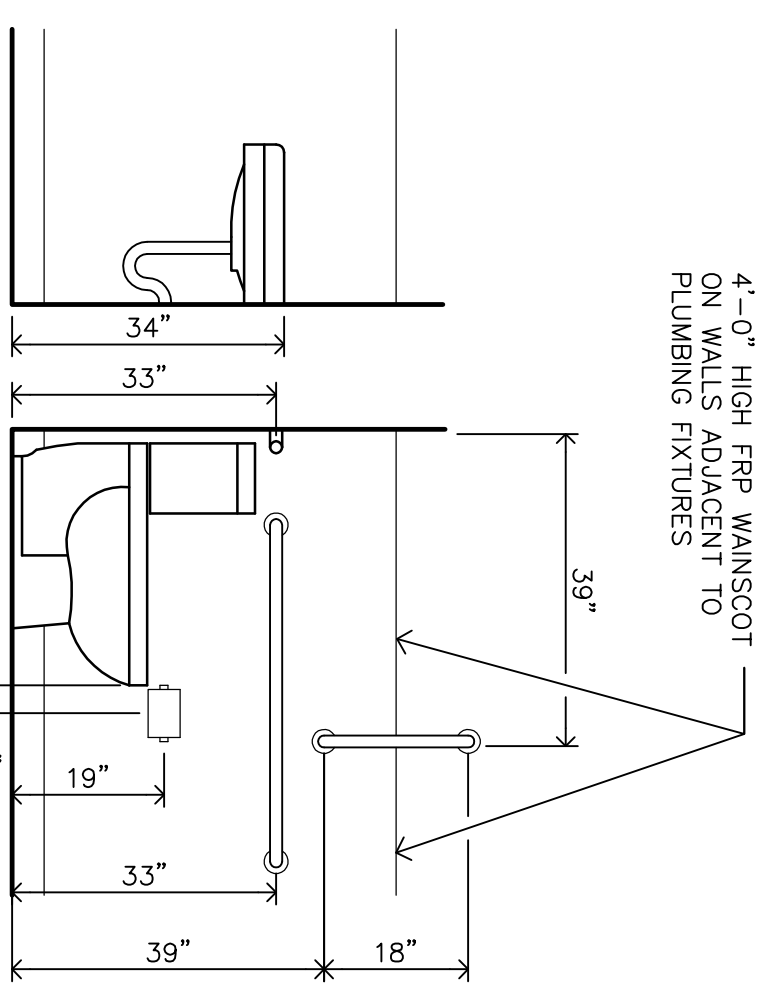
6 TOILET & UTILITY ROOMS #105 & #106
A-6.3 1/2" - 1'-0"



7 TOILET ROOM #107
A-6.3 1/2" - 1'-0"



FRONT ELEVATION OF PLUMBING FIXTURES
ROOMS #105 & 107



8 TOILET ROOM ELEVATIONS, #105 & #107
A-6.3 1/2" - 1'-0"