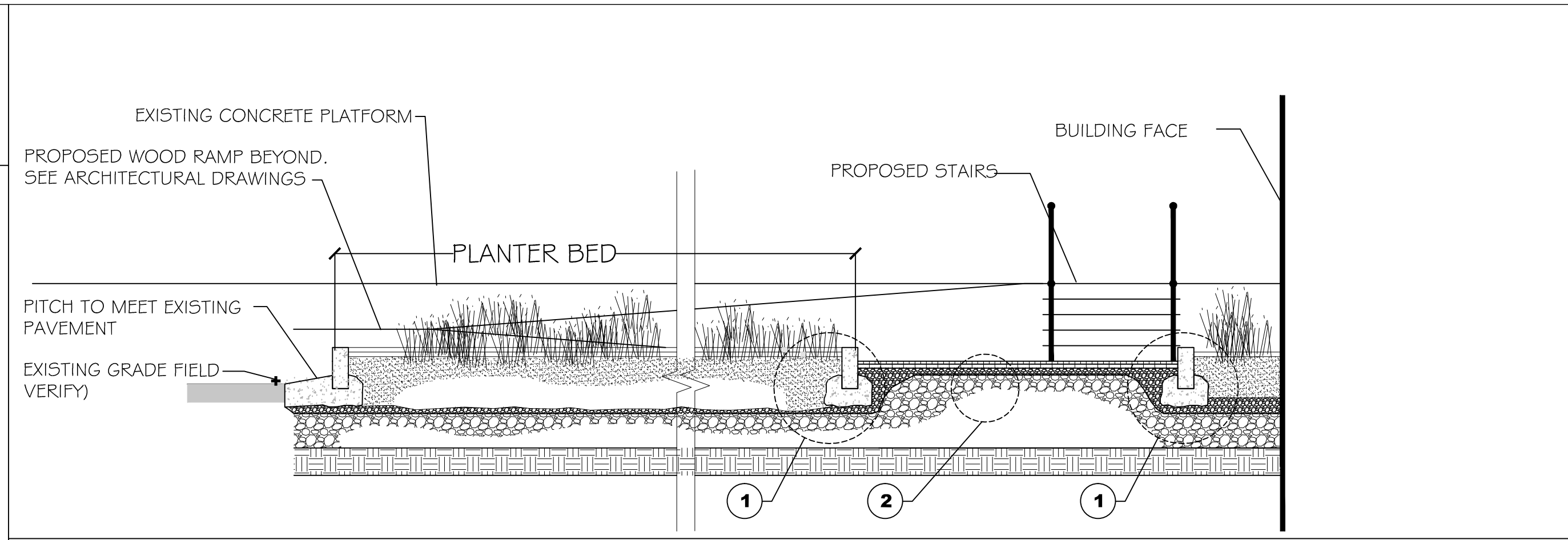
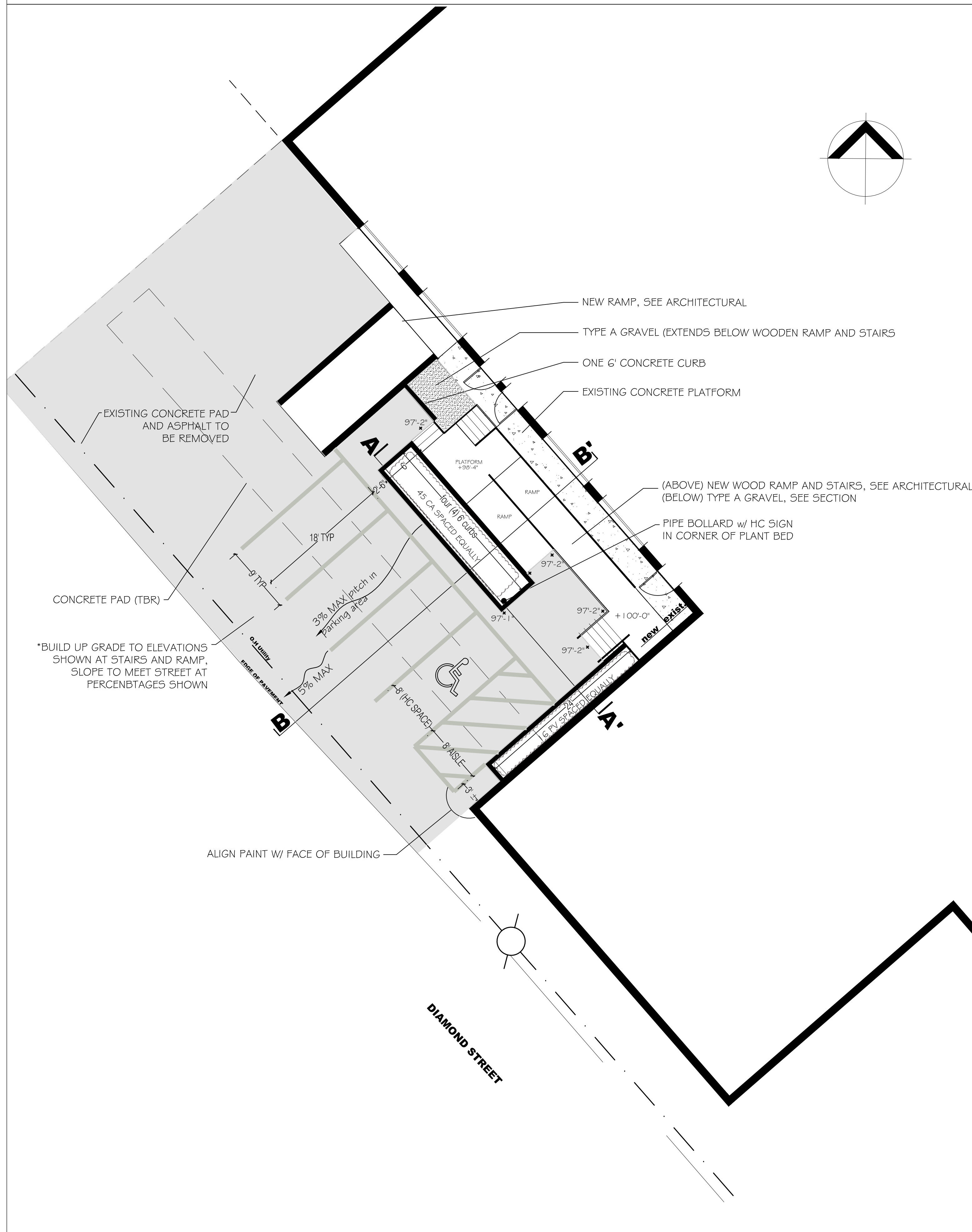
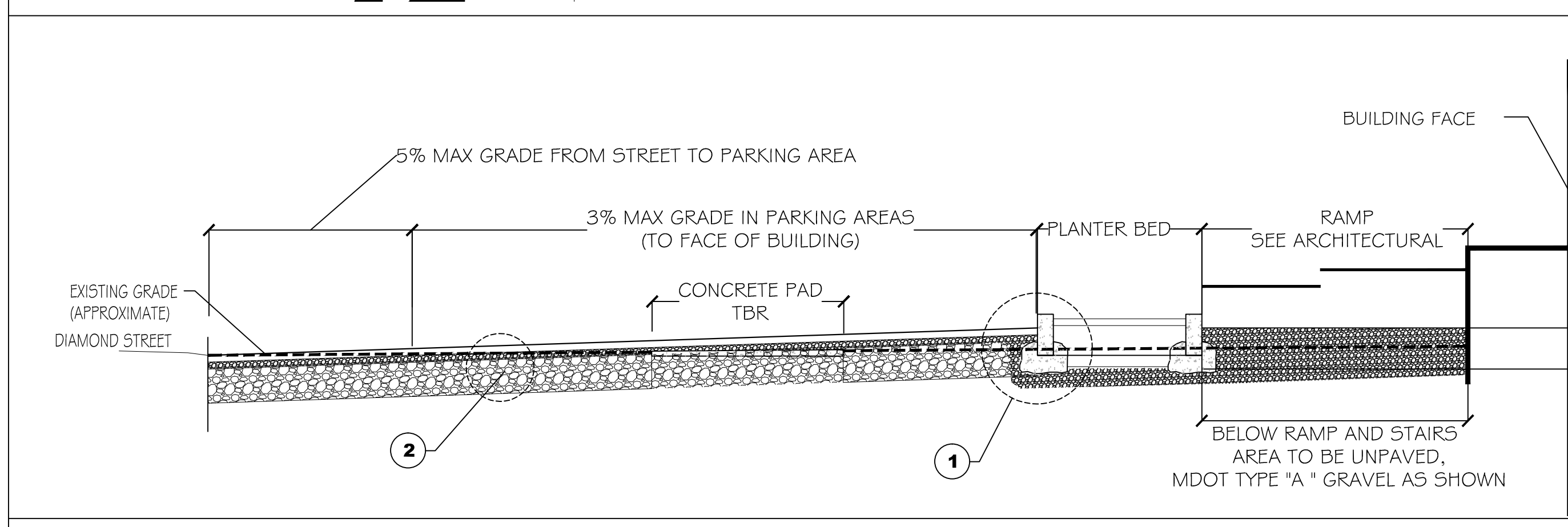


PLANT LIST

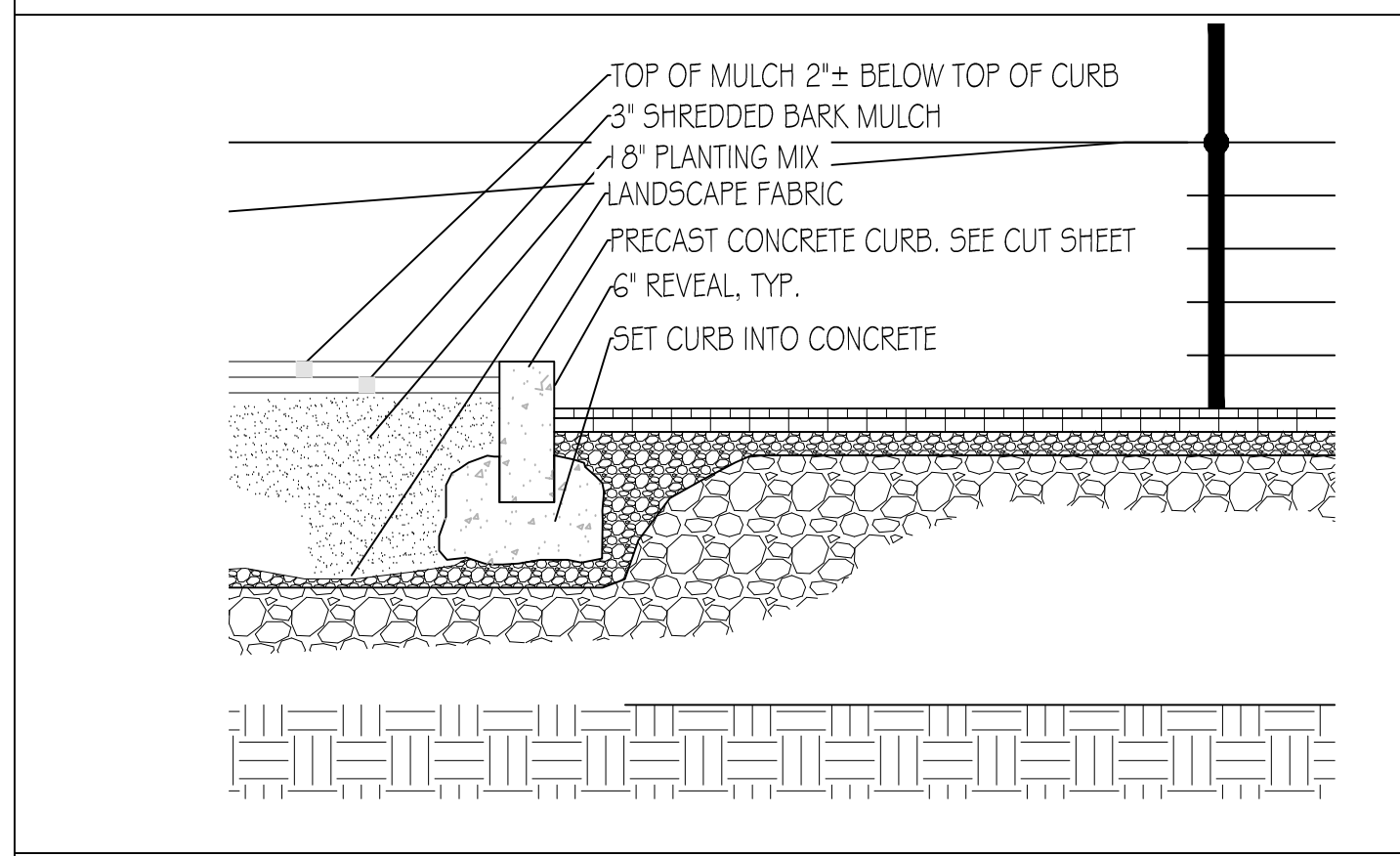
KEY	BOTANICAL NAME	COMMON NAME	SIZE
Ca	Calamagrostis acutifolia "Karl Foerster"	Feather Reed Grass	1 gallon
Pv	Panicum virgatum	Switch grass	1 gallon



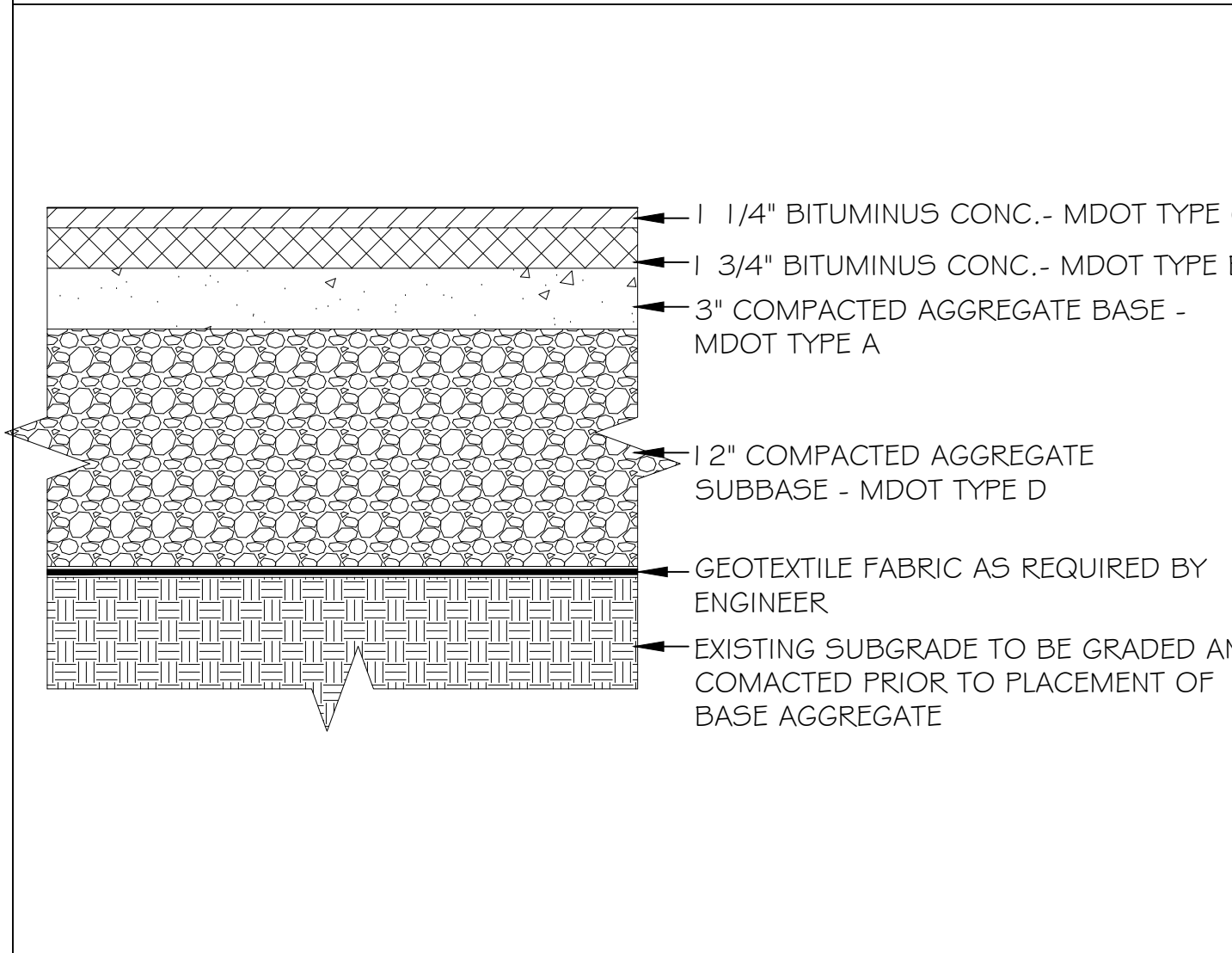
CROSS SECTION A-A'



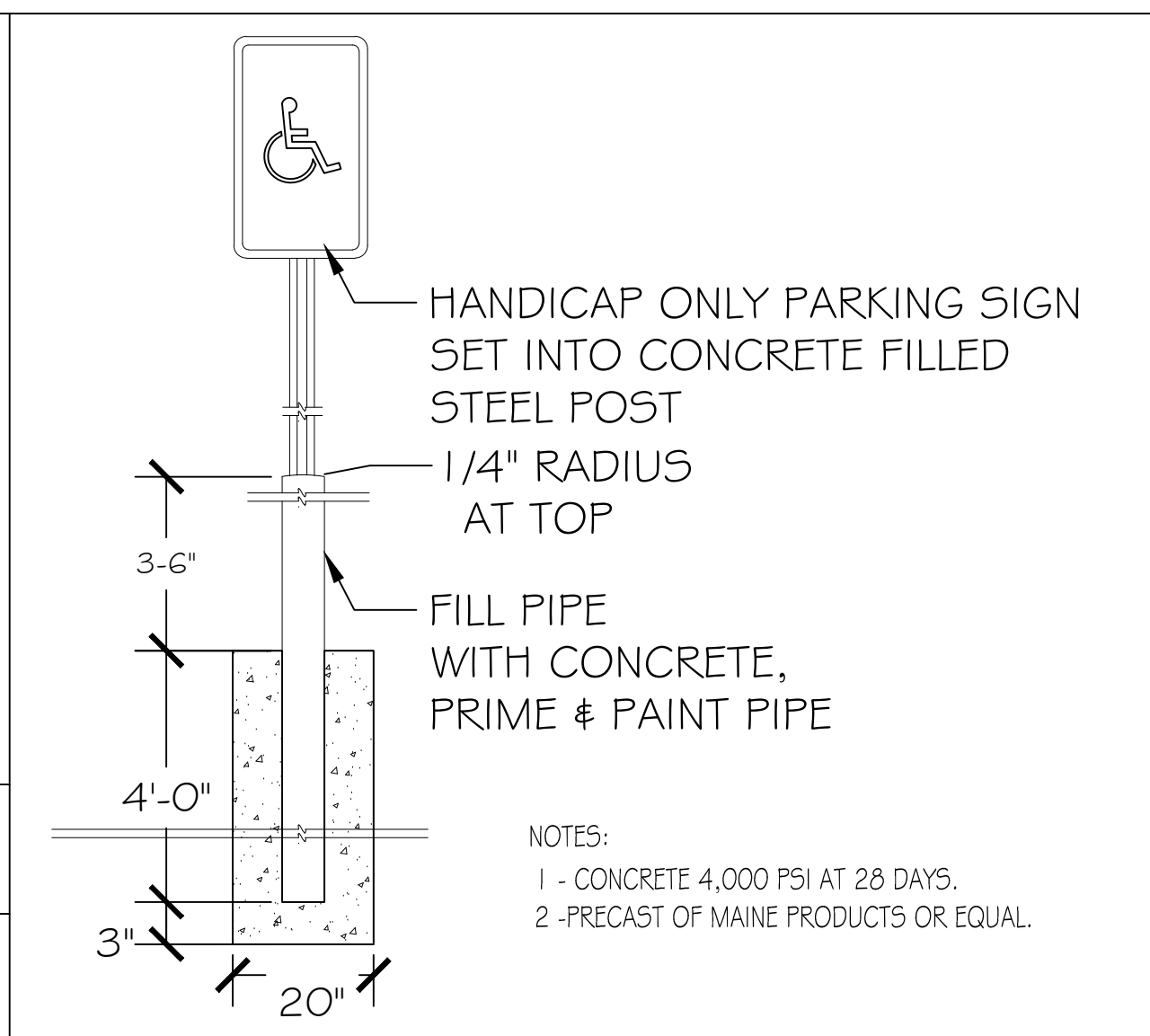
CROSS SECTION B-B'



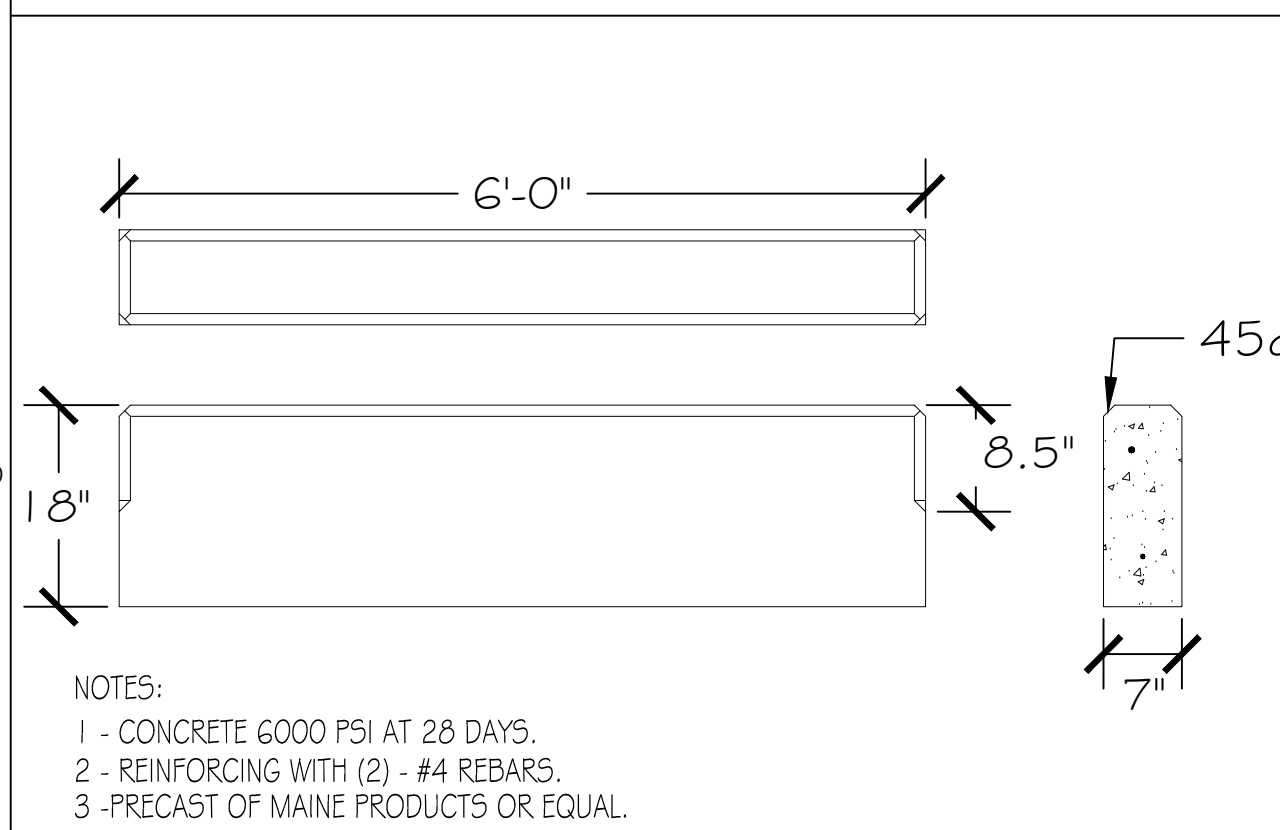
DETAIL 1: PLANTER BED



DETAIL 2: PAVING SECTION -NTS



PIPE BOLLARD/ HANDICAPP PARKING SIGN-NTS



PRE CAST CURBING-NTS

FRONT ENTRANCE DETAIL



HEMESphereDESIGN LLC  
Architecture & Sculpture  
135 Ridgeleand Ave  
S. Portland, ME 04106

peter burke landscape architecture  
34 Brown Street, Westbrook, Maine 04092  
pab2a@gmail.com 207.632.7372

PC Construction  
131 Presumpscot Street  
Portland, Maine 04103

A.D. BEANER LLC  
43 WASHINGTON AVENUE  
PORTLAND, MAINE

SITE PLAN AND  
DETAILS  
FOR CONSTRUCTION

REVISION

DRAWN BY: PAB  
DATE: 5-3-2013

C-102