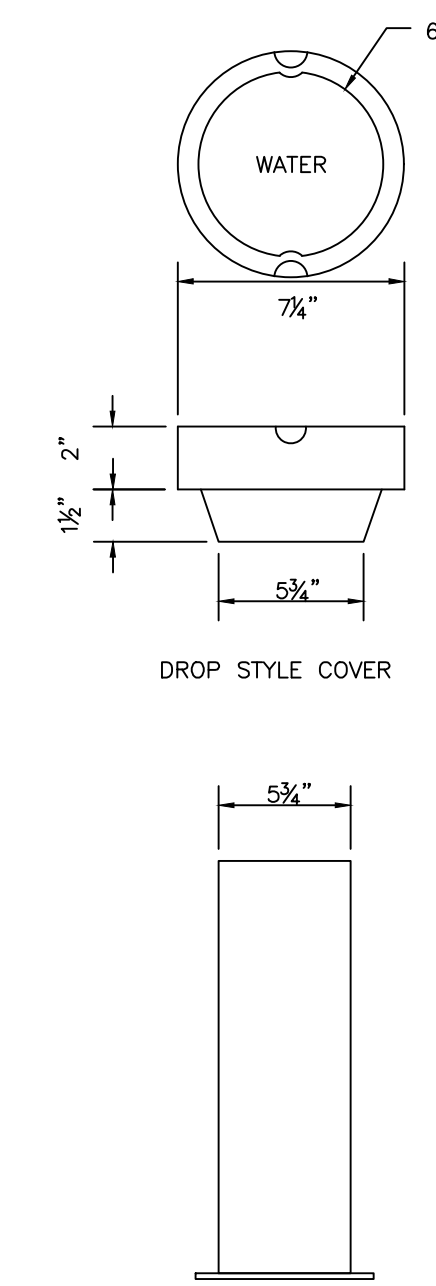
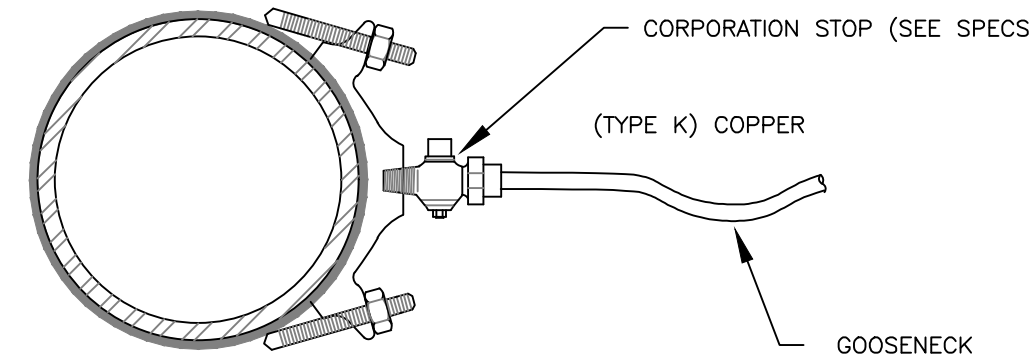


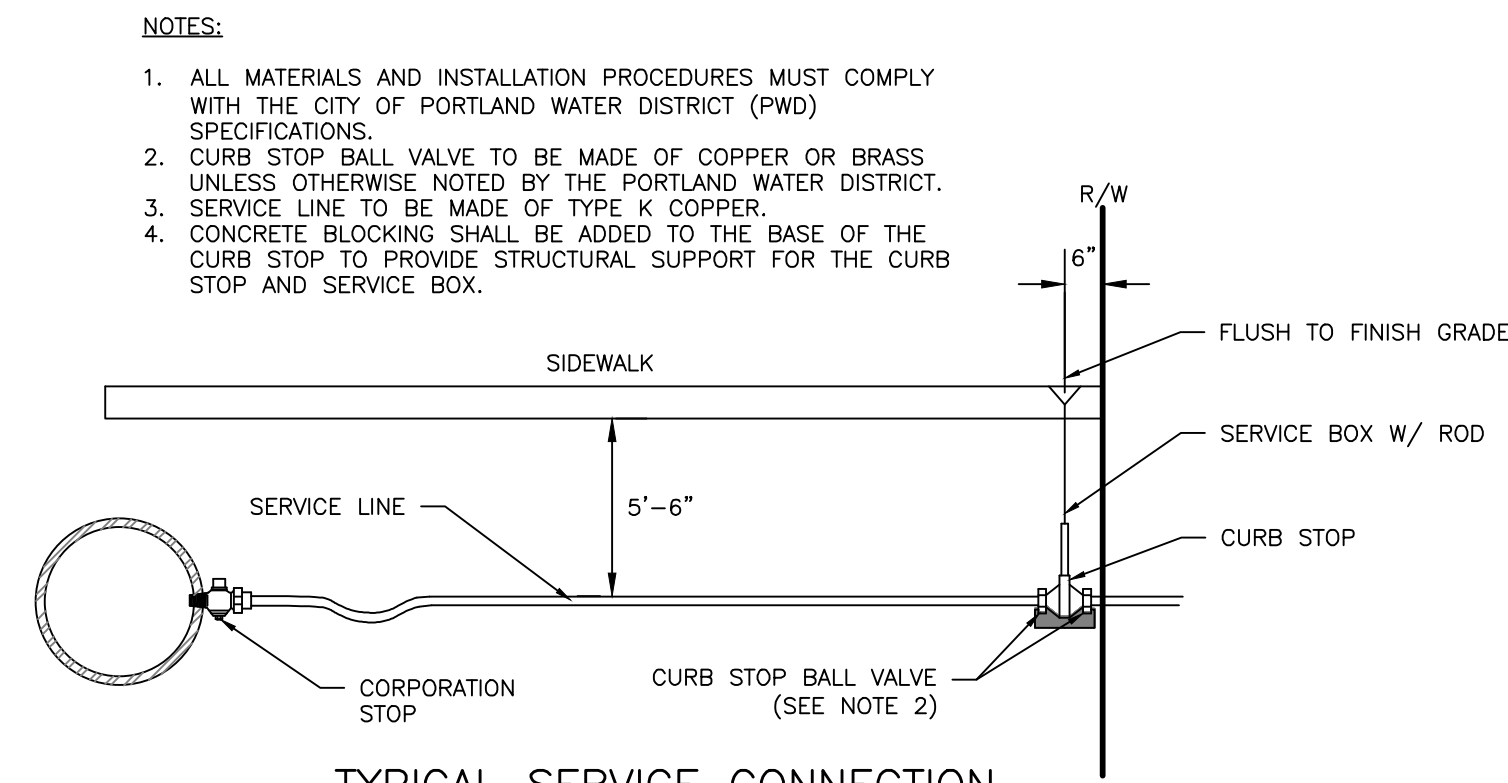
VALVE BOX & COVER
NOT TO SCALE



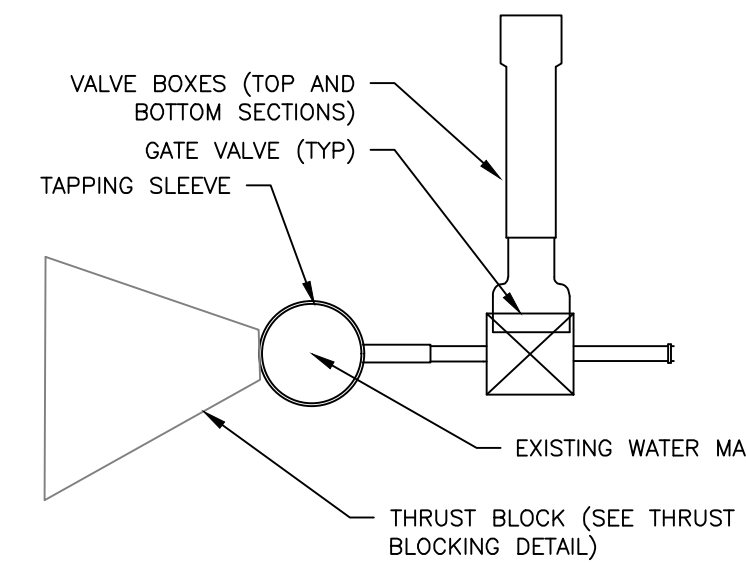
DROP STYLE COVER
NOT TO SCALE



SERVICE SADDLE: 1-1/2" AND 2" C.C. THREAD
NOT TO SCALE

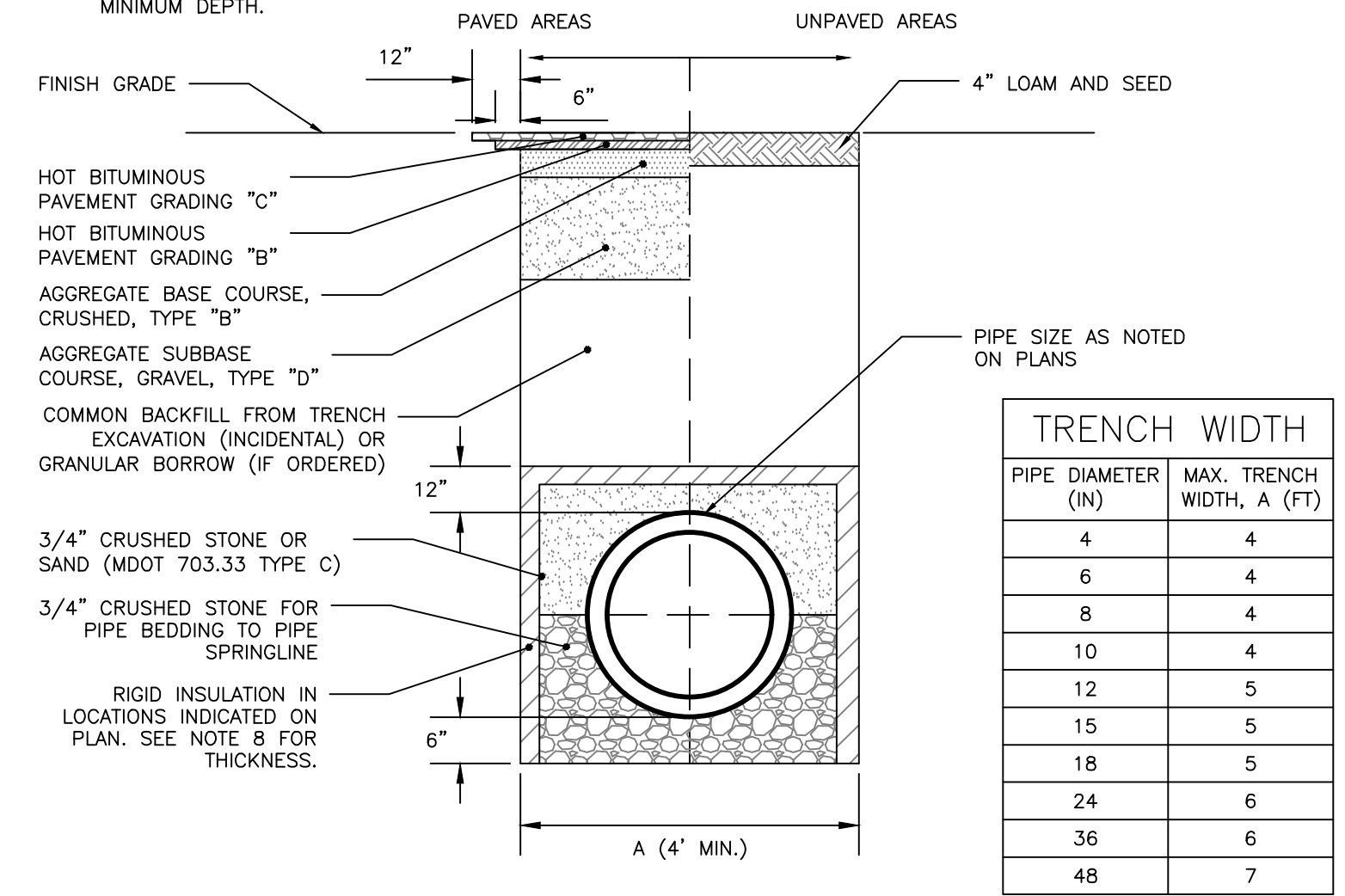


TYPICAL SERVICE CONNECTION
NOT TO SCALE

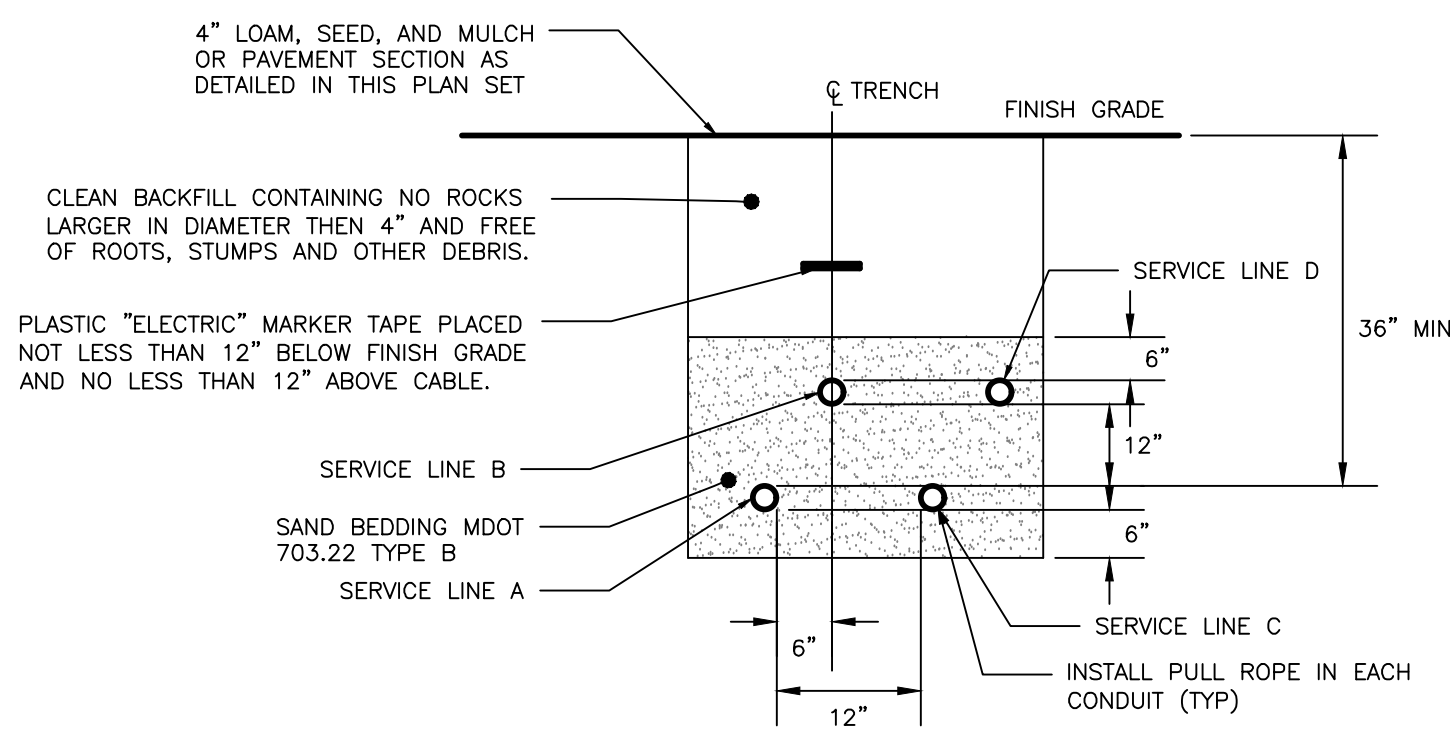


TAPPING SLEEVE AND VALVE
NOT TO SCALE

- NOTES:
- ANY ALTERNATE TRENCHING METHODS SHALL BE APPROVED IN ADVANCE BY THE CITY.
 - ALL CONSTRUCTION METHODS SHALL CONFORM TO THE CITY OF PORTLAND TECHNICAL STANDARDS FIGURE 11-2.
 - BRACING & SHEETING OR OTHER TRENCH PROTECTION TO BE PROVIDED TO MEET APPLICABLE STATE AND O.S.H.A SAFETY STANDARDS. ALL SUCH TRENCH PROTECTION SHALL BE THE RESPONSIBILITY OF THE CONTRACTOR.
 - WHERE APPLICABLE, PERFORATIONS IN STORM DRAIN (PERF.SD) SHALL BE ORIENTED UP.
 - ALL STORM DRAINS SHALL BE PVC SDR 35 MIN PS-46 RATING OR OR IN ACCORDANCE WITH CITY OF PORTLAND TECHNICAL MANUAL, SECTION 2 - SANITARY SEWER AND STORM DRAIN - PART 2.5.2
 - IN PAVED AREAS, DEPTHS OF GRAVEL AND HOT MIX ASPHALT PAVEMENT SHALL MATCH THE GREATER OF EXISTING CONDITIONS OR THE REQUIREMENTS FOR THE CORRESPONDING STREET CLASSIFICATION.
 - THIS DETAIL SHALL BE APPLIED ONLY TO PIPE TRENCHES WITHIN OF THE CITY OF PORTLAND ROW. STORM DRAIN COVER BETWEEN 2' AND 3' SHALL INCLUDE 4" OF RIGID INSULATION. COVER BETWEEN 3' AND 4' SHALL INCLUDE 2" RIGID INSULATION. OTHER UTILITIES: ADD 2" OF RIGID INSULATION FOR EACH FOOT ABOVE MINIMUM DEPTH.



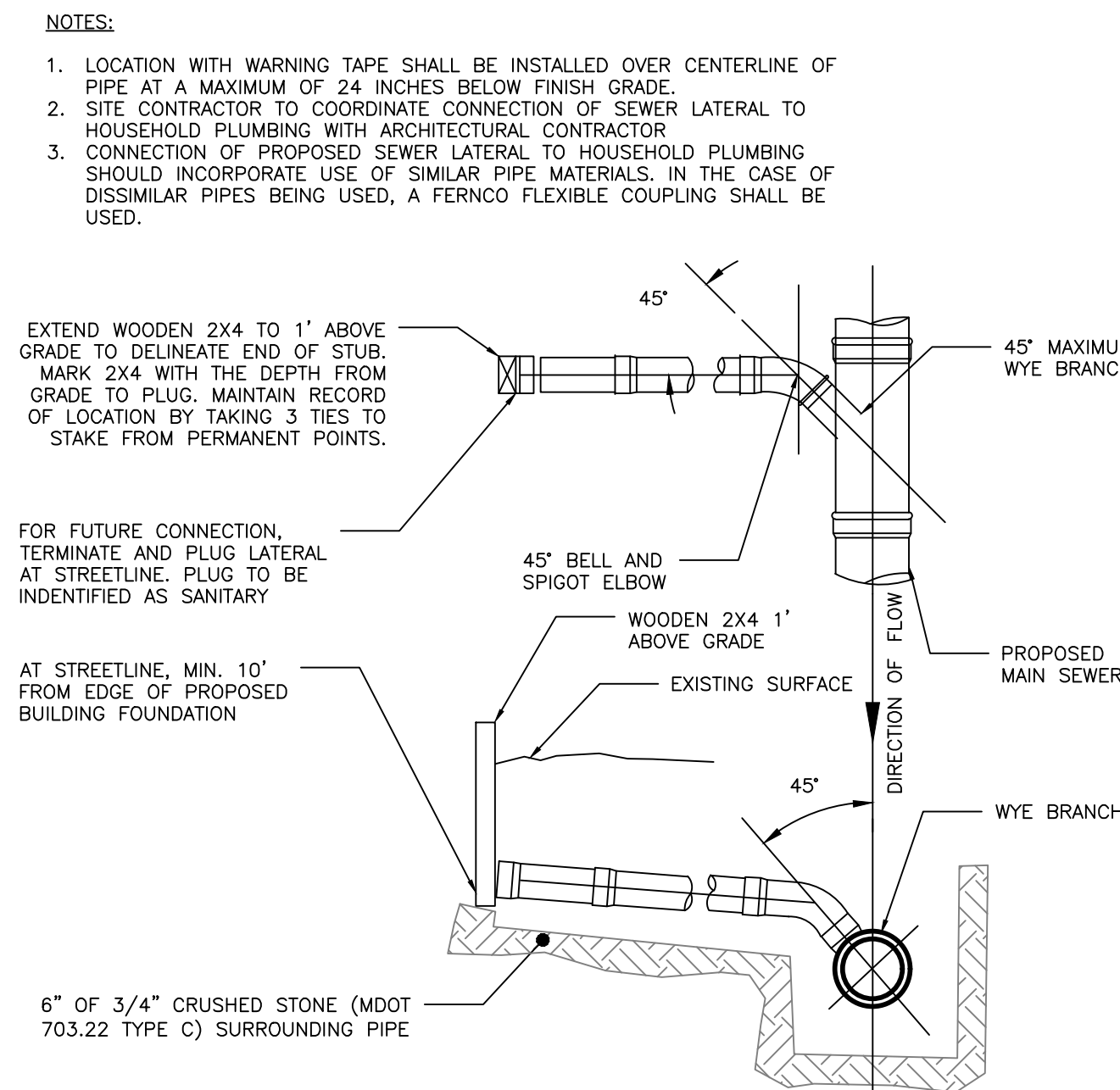
CITY OF PORTLAND TYPICAL PIPE TRENCH DETAIL
NOT TO SCALE



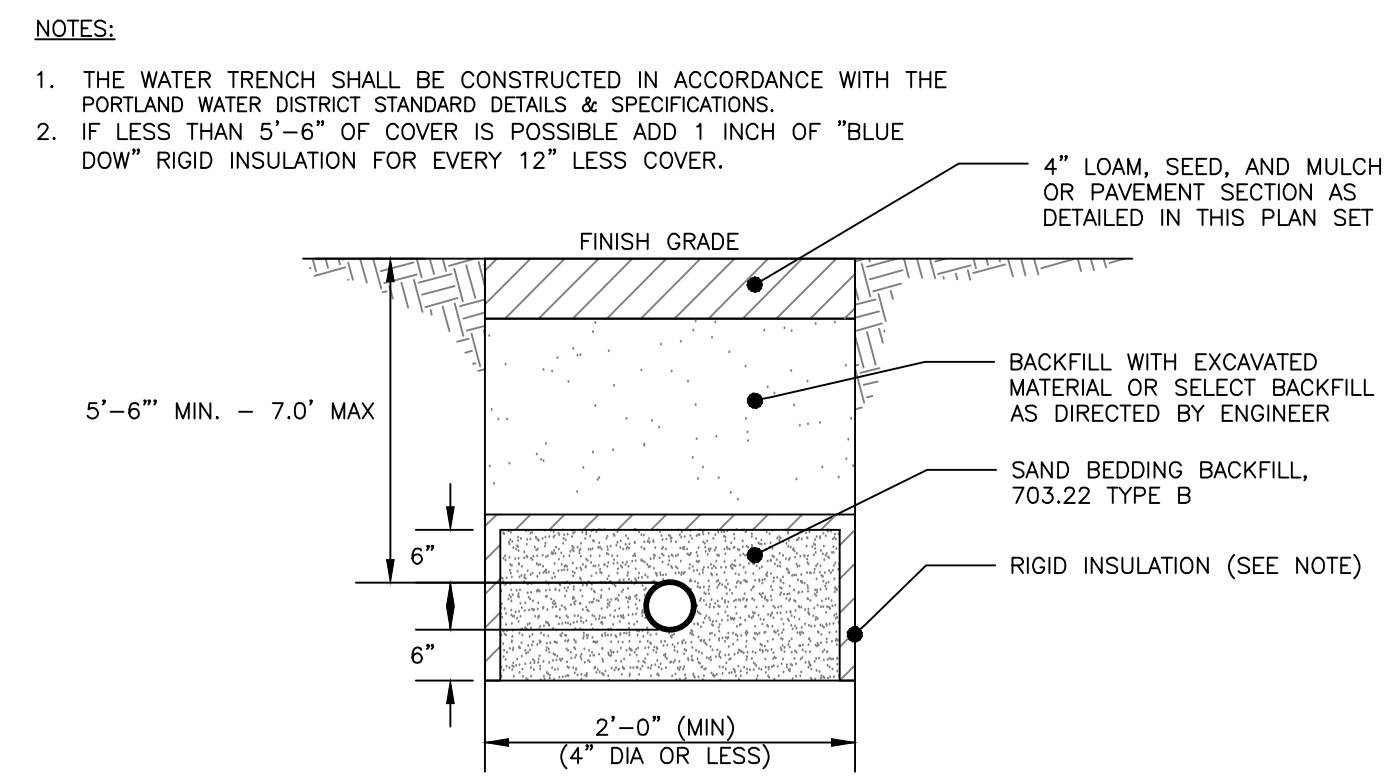
CONDUIT TYPE				
SERVICE	CONDUIT SIZE	GRASS AND PAVED AREAS	UTILITY	REMARKS
A	2-5"	SCHEDULE 40 PVC ELECTRICAL GRADE	PRIMARY POWER	SEE NOTE 1
B	2-4"	SCHEDULE 40 PVC	COMMUNICATION	-
C	2-4"	SCHEDULE 40 PVC ELECTRICAL GRADE	SPARE	IF REQUIRED
D	2-4"	SCHEDULE 40 PVC	CABLE	-

- NOTES:
- ONE CONDUIT CAPPED FOR SPARE, PROVIDE GALVANIZED STEEL LONG SWEEP AT RISER POLE AND EXTEND GALVANIZED CONDUIT TO 10" ABOVE GRADE AT POLE WITH STAND-OFF BRACKETS.
 - MINIMUM SEPARATION OF 24 INCHES BETWEEN PRIMARY CABLE/CONDUIT AND GAS LINES SHALL BE MAINTAINED.

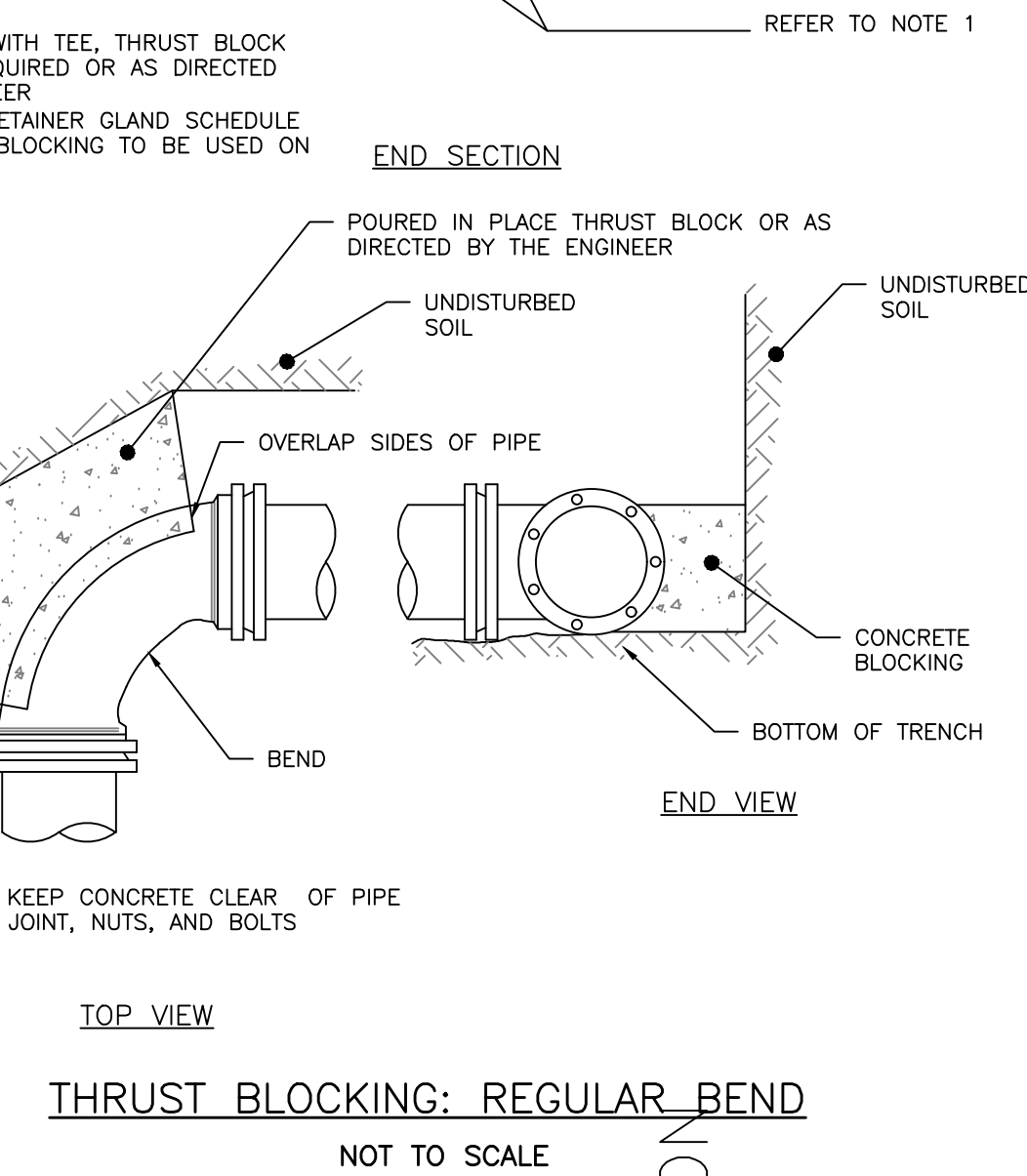
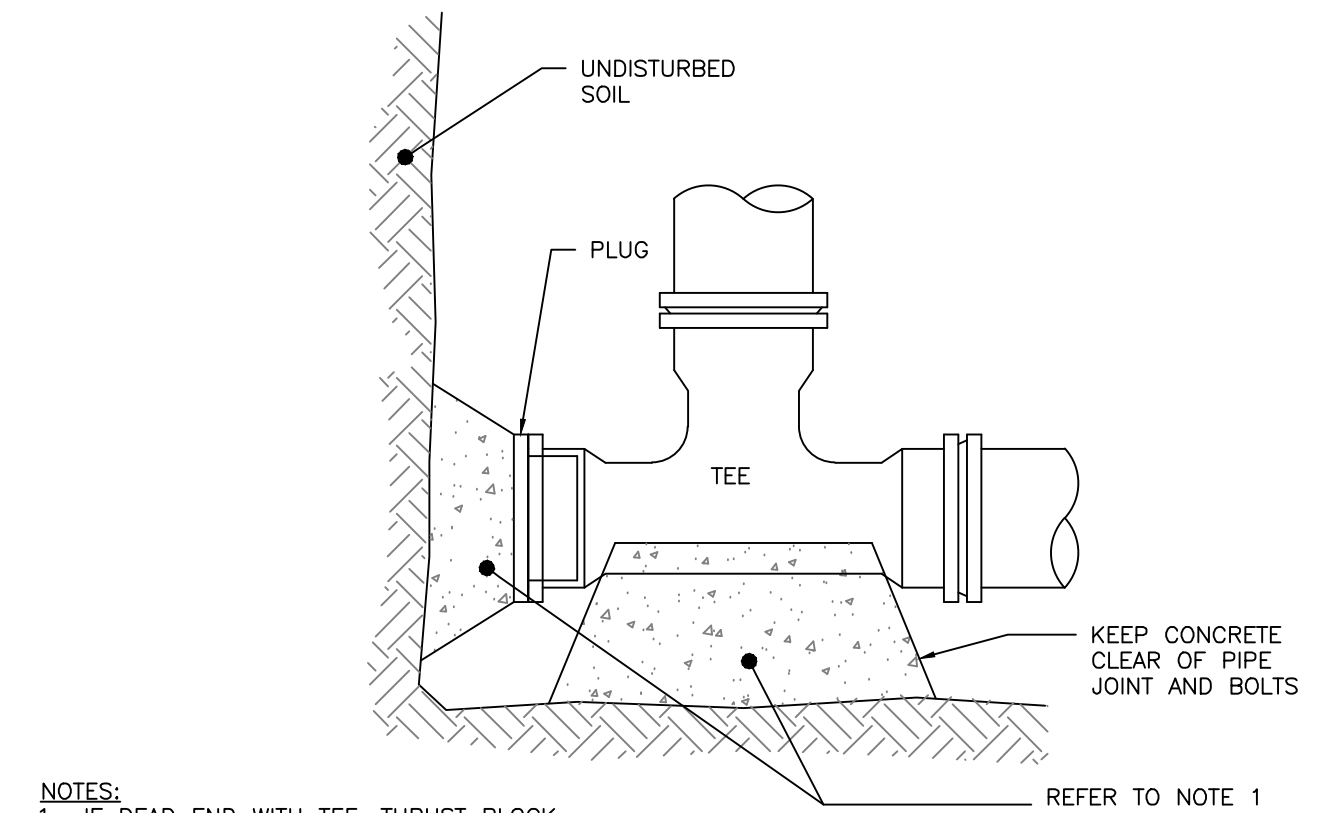
UTILITY TRENCH:
PRIMARY AND SECONDARY POWER, TELEPHONE, AND CABLE
NOT TO SCALE



SEWER TEE/WYE CONNECTION DETAIL
NOT TO SCALE



WATER SERVICE TRENCH SECTION DETAIL
NOT TO SCALE



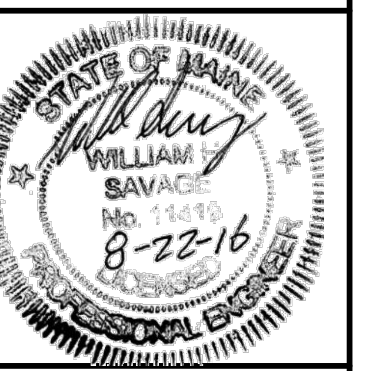
THRUST BLOCKING: REGULAR BEND
NOT TO SCALE

ISSUED FOR	BY
PRELIMINARY APP	WHS
FINAL APP	WHS
REVISION	REV. DATE

DRAWING NAME: UTILITY DETAILS
PROJECT NAME: 70 ANDERSON STREET REDEVELOPMENT
CLIENT: REDFERN PROPERTIES, LLC
P.O. BOX 8816 PORTLAND, ME 04104

ACCORR ENGINEERING, INC.
158 DANFORTH STREET, PORTLAND, MAINE 04102
(207) 775-2855

FILE: CIVIL 1067
JN: 1067
SCALE: NTS
DESIGNED BY: WHS
DRAWN BY: OJD
CHECKED BY: WHS



DRAWING NO.
C-42