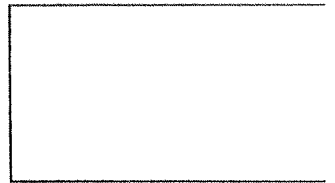




FILL IN AND SIGN WITH INK

APPLICATION FOR PERMIT HEATING OR POWER EQUIPMENT



To the INSPECTOR OF BUILDINGS, PORTLAND, ME.

The undersigned hereby applies for a permit to install the following heating, cooking or power equipment in accordance with the Laws of Maine, the Building Code of the City of Portland, and the following specifications:

Location / CBL 103 Fox St Portland ME Use of Building Brewery Date 2-
 Name and address of owner of appliance Cardente Daug
322 Fore St 3rd Floor Portland ME 04101
 Installer's name and address HVAC SERVICES
13 Bradley Drive Westbrook ME 04092 Telephone 8544822

Location of appliance:

- Basement Floor
 Attic Roof

Type of Fuel:

- Gas Oil Solid

Appliance Name: TRANE Rooftop

U.L. Approved Yes No

Will appliance be installed in accordance with the manufacture's installation instructions? Yes No

IF NO Explain: _____

The Type of License of Installer:

- Master Plumber # _____
 Solid Fuel # _____
 Oil # _____
 Gas # PNT1058
 Other _____

Type of Chimney:

Masonry Lined
Factory built N/A

Metal
Factory Built U.L. Listing # N/A

Direct Vent
Type _____ UL# _____

Type of Fuel Tank

- Oil
 Gas

Size of Tank _____

Number of Tanks _____

Distance from Tank to Center of Flame _____ feet.

Cost of Work: \$ 14,750

Permit Fee: \$ _____

Approved

Approved with Conditions

Fire: _____

Ele.: _____

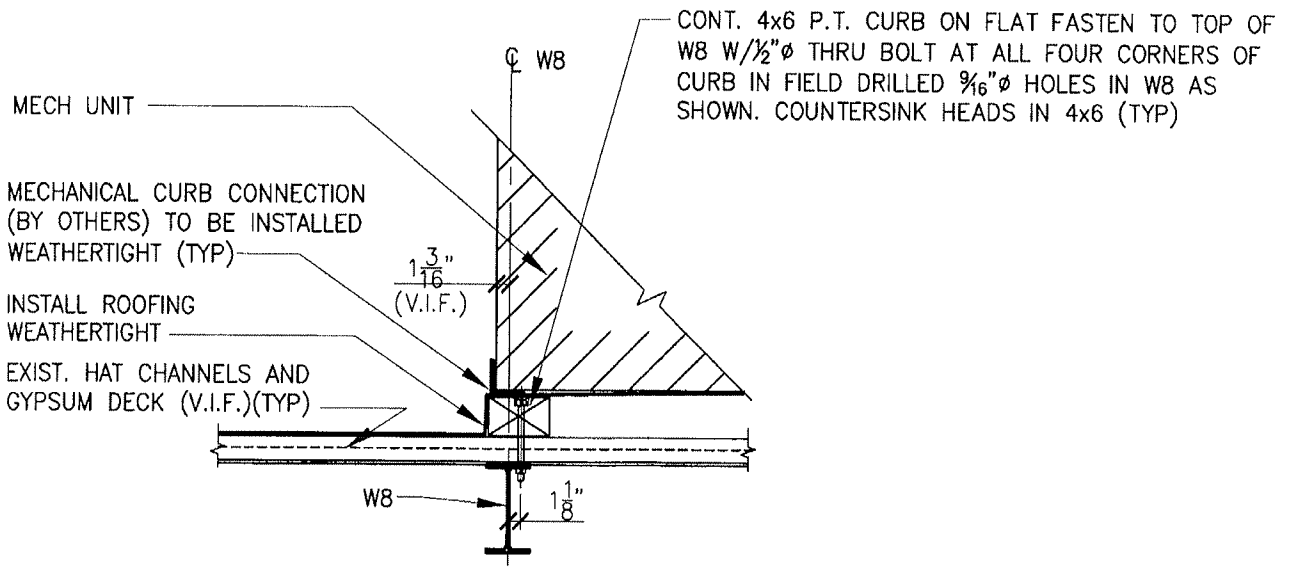
Bldg.: _____

See attached letter or requirement

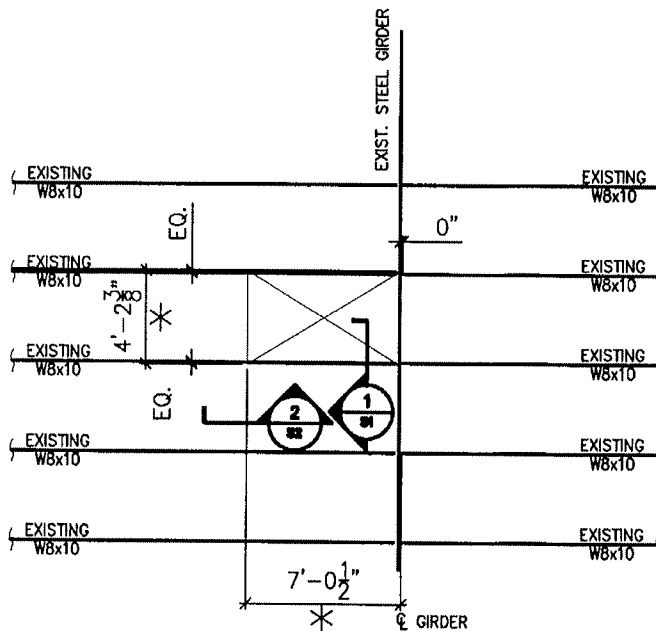
Inspector's Signature _____

Date Approved _____

Signature of Installer [Signature]



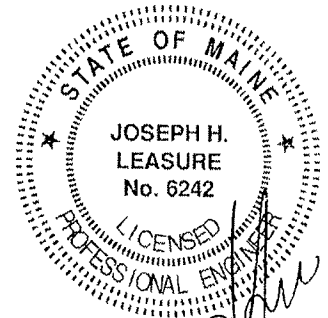
SECTION 1
3/4" = 1'-0"



"*" INDICATES: COORDINATE W/ MECHANICAL CONTRACTOR

PARTIAL ROOF FRAMING PLAN

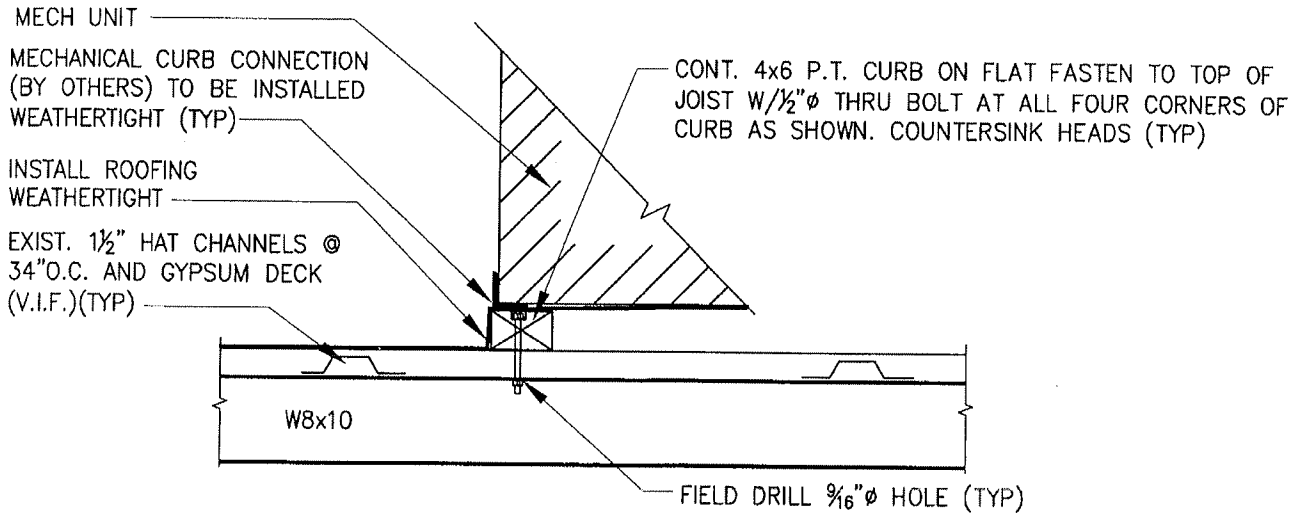
1/8" = 1'-0"



2012-010

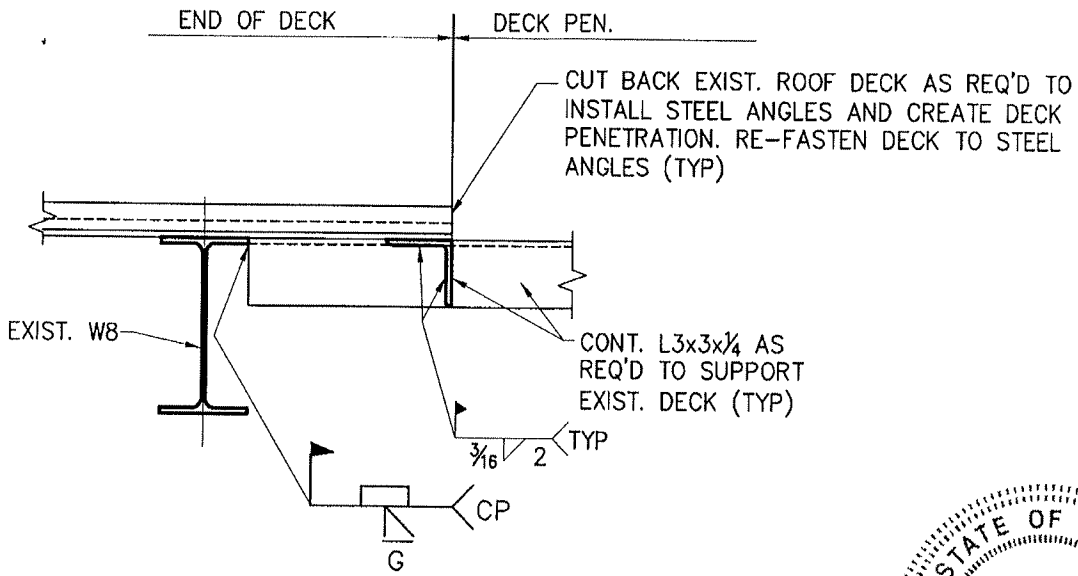
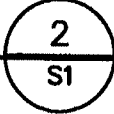
designed by: JHL	101 & 103 FOX STREET PORTLAND, MAINE HVAC SUPPORT PARTIAL ROOF FRAMING PLAN	L & L STRUCTURAL ENGINEERING SERVICES, INC. SIX Q STREET SOUTH PORTLAND, MAINE 04106 PHONE: (207) 767-4830 FAX: (207) 799-5432
drawn by: AKB		
checked by: JHL		
scale: AS NOTED		
date: 2-14-12		

S-1



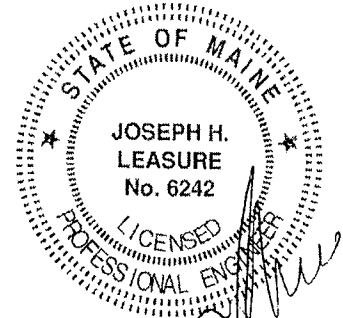
SECTION 2

3/4" = 1'-0"



TYP. DECK PEN. DETAIL

1 1/2" = 1'-0"



2012-010

designed by:	JHL
drawn by:	AKB
checked by:	JHL
scale:	AS NOTED
date:	2-14-12

101 & 103 FOX STREET
 PORTLAND, MAINE
 HVAC SUPPORT
 SECTIONS AND DETAILS

L & L STRUCTURAL
 ENGINEERING SERVICES, INC.
 SIX Q STREET
 SOUTH PORTLAND, MAINE 04106
 PHONE: (207) 767-4830
 FAX: (207) 799-5432