

© 2017 RYAN SENATORE ARCHITECTURE

RISEING TIDE BREWING - EXPANSION
 103 FOX STREET
 PORTLAND, MAINE 04101



RYAN SENATORE
 ARCHITECTURE
 565 CONGRESS STREET
 PORTLAND, MAINE 04101
 207-650-8414
 senatorearchitecture.com

CONSULTANTS:

REVISIONS:

DATE: MAY 12, 2017

PROJECT No. 1718

DRAWN BY: JPF

CHECKED BY: RJS

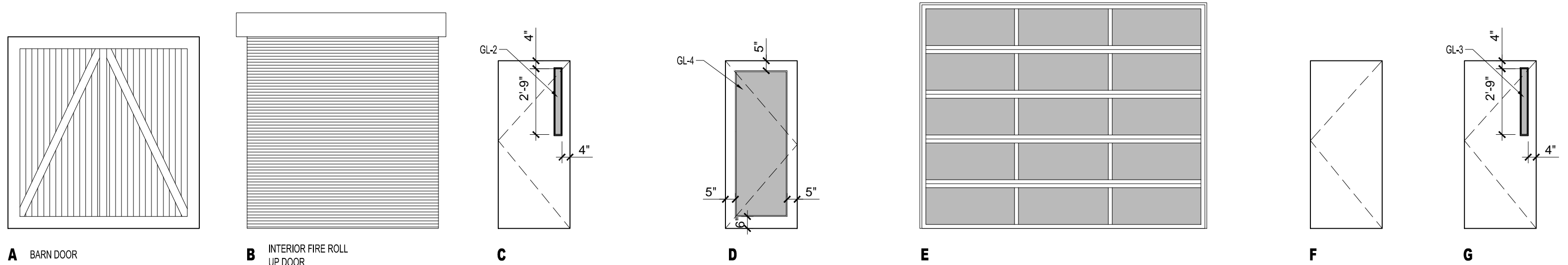
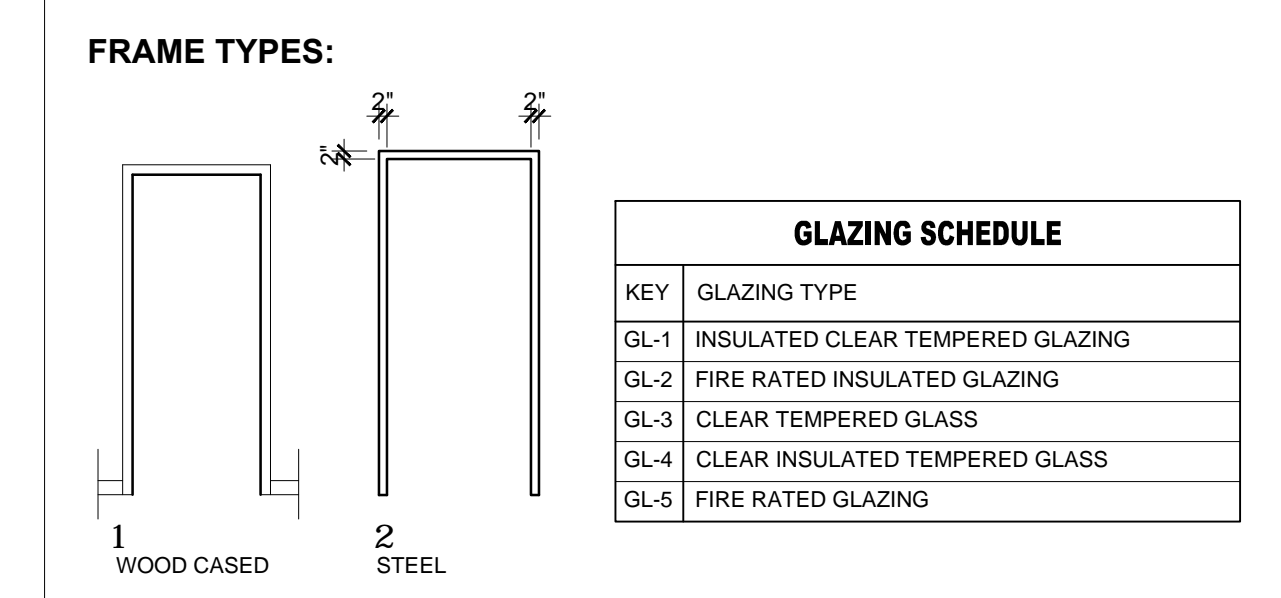
SCALE: AS NOTED

SHEET TITLE:

WINDOW AND DOOR SCHEDULE

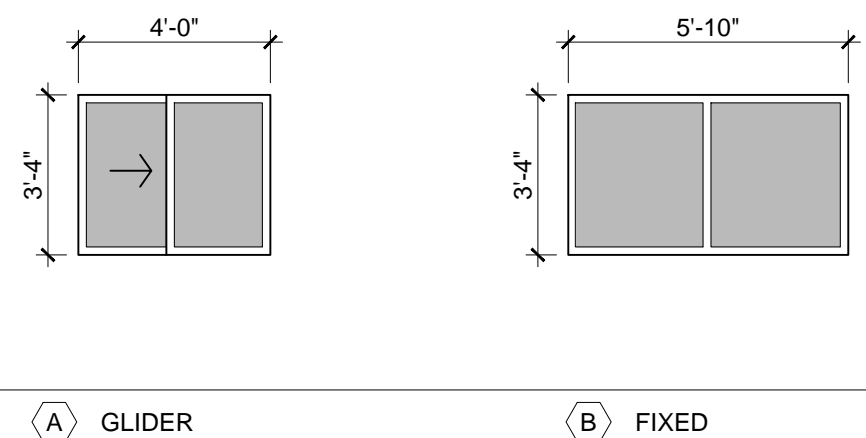
A7-0

- DOOR NOTES:**
- 1) ALL EXTERIOR GLAZING TO BE LOW-E ARGON FILLED INSULATED GLAZING UNITS
 - 2) FRAME ALL OPENINGS WITH ELEVATIONS
 - 3) SEAL EXTERIOR DOORS TO ROUGH OPENING WITH LOW EXPANDING FOAM INSULATION - SEE DETAILS
 - 4) ALL DOOR HARDWARE TO BE 'LEVER' TYPE
 - 5) ALL EXTERIOR DOORS TO BE WEATHERSTRIPPED

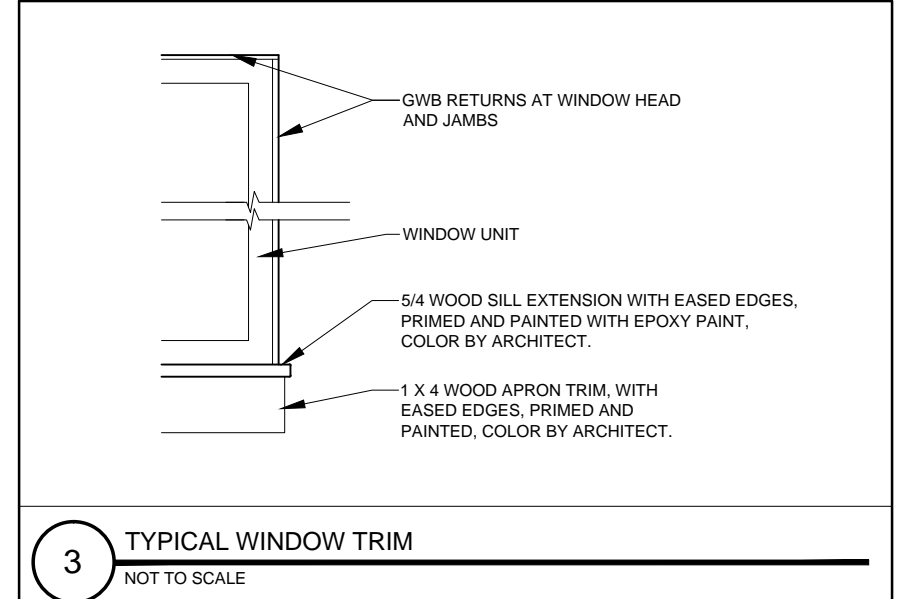


1 DOOR TYPES
1/4" = 1'-0"

DOOR NO.	TYPE	DOOR					FRAME					GENERAL					
		SIZE			MATERIAL	FINISH	INSULATED	TYPE	DETAILS			CLOSER	FIRE RATING (MINUTES)	E.O.B. ACCESS	HARDWARE KEY	MATERIALS KEY	FINISH KEY
		WIDTH	HEIGHT	THICKNESS					THRESHOLD	HEAD	JAMB						
111.1	A	8'-0"	8'-0"	1.34"	WD	PTD	-	-	-	-	-	-	60	-	-	-	CUSTOM BARN DOOR WITH FULL HARDWARE PACKAGE
111.2	B	8'-0"	8'-0"	-	STL	PTD	-	-	-	STL	-	-	-	Y	60	-	FIRE RATED OVERHEAD ROLLING DOOR WITH AUTOMATIC CLOSER TIED TO FIRE ALARM SYSTEM WITH LASER EYE SAFETY FEATURE, OVERHEAD DOOR MODEL 631, FUSEABLE LINK
111.3	EX	-	-	-	-	-	-	-	-	-	-	-	-	-	-	-	EXISTING EXTERIOR DOOR, REPLACE UPON OWNER DECISION
111.4	D	3'-0"	7'-0"	1.34"	AL	MA	-	AL	AL	-	-	-	Y	-	-	-	THERMALLY BROKEN STOREFRONT DOOR WITH PANIC AND LATCHING HARDWARE, MATCH EXISTING STOREFRONT DOOR
111.5	E	MA	MA	1.34"	AL	MA	Y	-	AL	-	-	-	Y	-	-	-	MATCH EXISTING EXTERIOR OVERHEAD DOOR, PROVIDE OPERATOR IF EXISTING HAS ONE
111.6	C	3'-0"	7'-0"	1.34"	STL	PTD	-	2	STL	AL	-	-	Y	60	-	-	1 HR FIRE RATED DOOR WITH PANIC AND LATCHING HARDWARE
113.1	C	3'-0"	7'-0"	1.34"	STL	PTD	-	2	STL	AL	-	-	Y	60	-	-	1 HR FIRE RATED DOOR WITH PANIC AND LATCHING HARDWARE
113.2	C	3'-0"	7'-0"	1.34"	STL	PTD	-	2	STL	AL	-	-	Y	60	-	-	1 HR FIRE RATED DOOR WITH PANIC AND LATCHING HARDWARE
113.3	G	3'-0"	7'-0"	1.34"	STL	PTD	-	2	STL	-	-	-	Y	-	-	-	-
114.1	F	3'-0"	7'-0"	1.34"	STL	PTD	-	2	STL	-	-	-	Y	-	-	-	-
115.1	G	3'-0"	7'-0"	1.34"	STL	PTD	-	2	STL	-	-	-	Y	-	-	-	-
116.1	F	3'-0"	7'-0"	1.34"	STL	PTD	-	2	STL	-	-	-	Y	-	-	-	-
213.1	C	3'-0"	7'-0"	1.34"	STL	PTD	-	2	STL	AL	-	-	Y	60	-	-	1 HR FIRE RATED DOOR WITH PANIC AND LATCHING HARDWARE



2 WINDOW TYPES
1/4" = 1'-0"



3 TYPICAL WINDOW TRIM
NOT TO SCALE

WINDOW SCHEDULE LEGEND

- T = TEMPERED GLASS
- FG = FIBERGLASS
- AL = ALUMINUM
- DH = DOUBLE HUNG
- AW = AWNING
- LV = LOUVER
- F = FIXED
- GL = GLIDER

KEY	ACTION	ROUGH OPENING (WxH) VWF	RO. HEAD HEIGHT FROM FINISH FLOOR	DETAILS			MATERIAL	FINISH	REMARKS
				HEAD	JAMB	SILL			
A	GL	4' X 3'-4"	-	-	-	-	AL	PTD	THERMALLY BROKEN METAL WINDOW, MASONRY OPENING, HEAD HEIGHT PER SECTION DRAWING
B	F	5'-10" X 3'-4"	-	-	-	-	AL	PTD	INTERIOR METAL WINDOW, HEAD HEIGHT PER SECTION DRAWING

- WINDOW NOTES:**
- 1.) COORDINATE AND ADJUST ROUGH OPENING DIMENSIONS TO ACCOMMODATE SILL PAN FLASHING SYSTEM
 - 2.) ALL WINDOW UNITS AND MULTI-WINDOW UNIT COMBINATIONS TO MEET OR EXCEED DP-50 RATINGS FOR BOTH STRUCTURAL AND WATER
 - 3.) FULL SCREENS ALL OPENINGS
 - 4.) CONTRACTOR TO VERIFY THAT ALL EGRESS OPENINGS MEET EGRESS REQUIREMENTS
 - 5.) ALL GLAZING LOCATED WITHIN 18" OF FINISHED FLOOR TO BE TEMPERED GLASS
 - 6.) ALL EXTERIOR GLAZING TO BE INSULATED
 - 7.) FRAME ALL OPENINGS WITH ELEVATIONS
 - 8.) SEAL WINDOW TO ROUGH OPENING WITH LOW EXPANDING FOAMINSULATION - SEE DETAILS