

**TASTING ROOM - RISING TIDE RENOVATION**  
 103 FOX STREET | PORTLAND, MAINE  
 HEATHER & NATHAN SANBORN



**DEXTRIOUS CREATIVE**  
 PORTLAND, ME 04102  
 TRACIE REED, ARCHITECT  
 NCARB, AIA, LEED AP BD+C  
 traciereed@dextrouscreative.com  
 207.409.0459 (cell)

**STRUCTURAL ENGINEER**  
 AL HODSON  
 RESURGENCE ENGINEERING  
 61 INDIA STREET, SUITE 7  
 PORTLAND, ME 04101  
 AL@RESURGENCEENGINEERING.COM  
 207.615.9985 (CELL)

No.	Description	Date

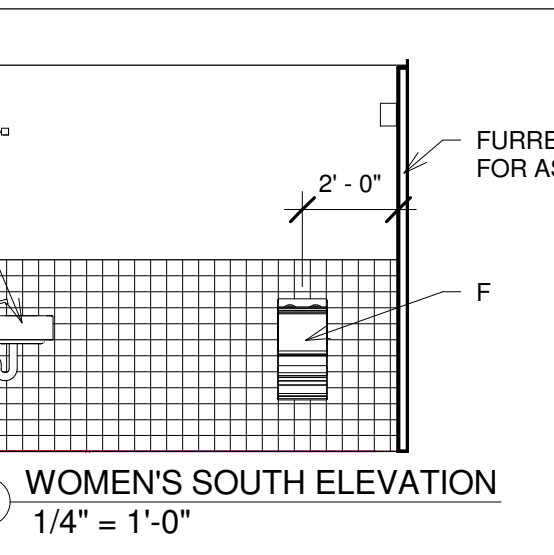
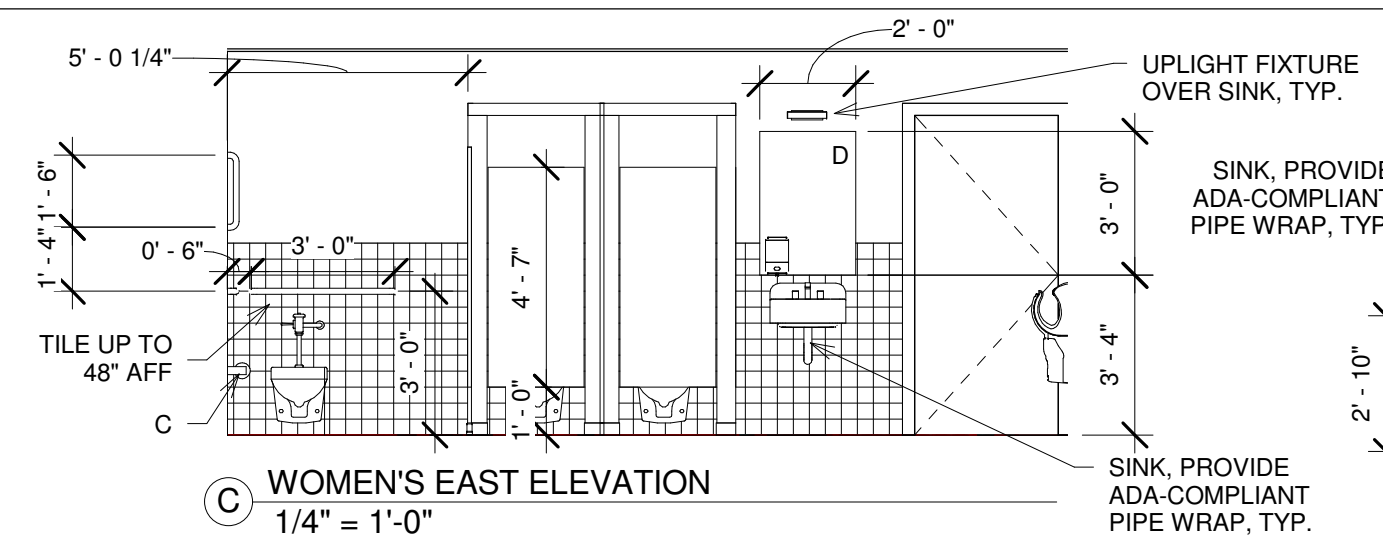
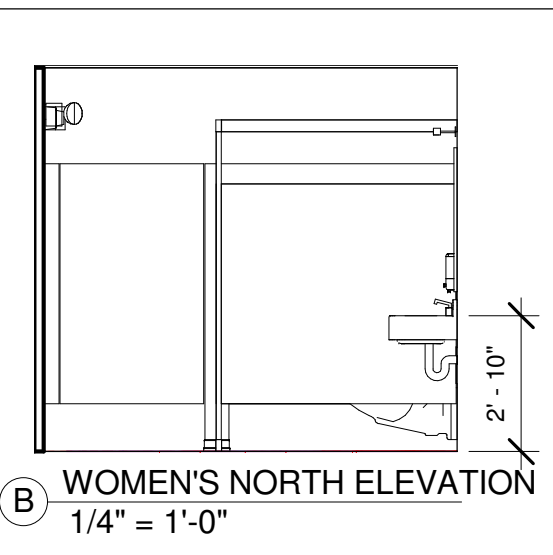
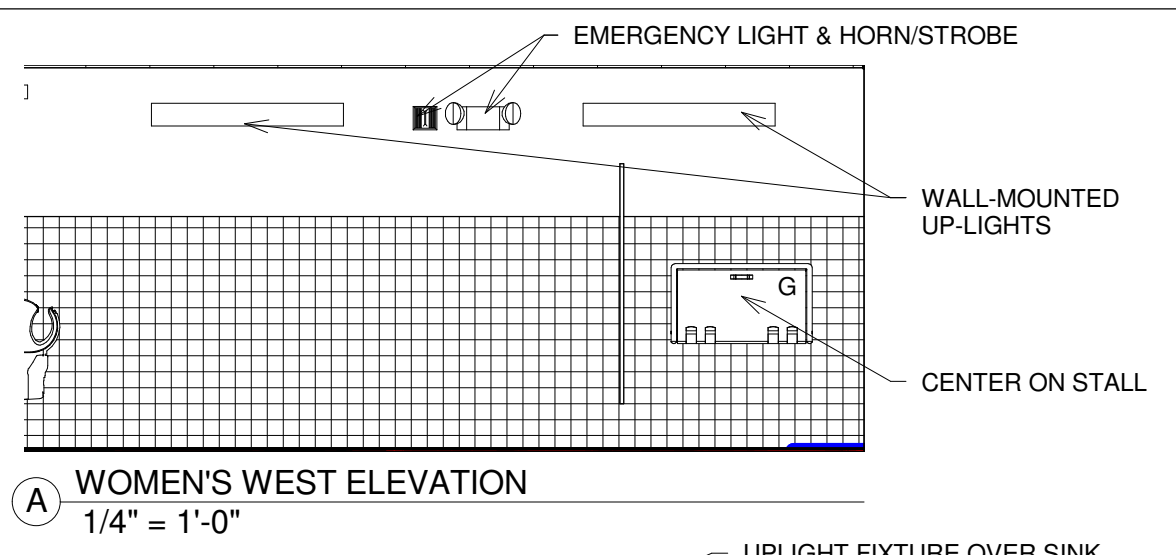
**ELEVATIONS**

Project number	15-24
Date	08.14.15
Drawn by	TJR
Checked by	TJR

**A-4.2**

Scale 1/4" = 1'-0"

8/14/2015 12:52:43 PM



**BATHROOM LEGEND**

- A. 3'-0" GRAB BAR
- B. 3'-6" GRAB BAR
- C. TOILET PAPER DISPENSER
- D. WALL-MOUNTED MIRROR
- E. VERTICAL GRAB BAR
- F. DYSON AIRBLADE HAND DRYER
- G. CHANGING TABLE
- H. FLOOR MOUNTED, OVERHEAD-BRACED POWDER-COATED STEEL TOILET PARTITION.
- I. POWDER-COATED STEEL URINAL PARTITION

**GENERAL BATHROOM NOTES**

1. PROVIDE SOLID BLOCKING FOR ALL WALL MOUNTED/HUNG FIXTURES OR BRACKETS.
2. MOUNT HAND SOAP DISPENSER OVER THE MIRROR SO THAT IT DOES NOT DRIP ON THE FLOOR, CREATING A SLIPPING HAZARD.
3. TOILET PAPER DISPENSER - NIC. DISPENSER SHALL BE MOUNTED NO HIGHER THAN 15" AFF AND 7-9" IN FRONT OF TOILET IN ADA-STALL
4. MOUNT GRAB BARS 33-36" AFF
5. WALL-MOUNTED WC W/4-BOLT, CHAIR CARRIER. SEAT HEIGHT OF 17-19" AFF
6. TILE TO 48" AFF, TYP.
7. PROVIDE ADA-COMPLIANT PIPE WRAP ON ALL SINKS, TYP.
8. 40" AFF MAX MIRROR HEIGHT
9. 1 1/4" TO 2" DIAMETER GRAB BARS IN ACCESSIBLE WCs TO INCLUDE (1) 3'-0" GRAB BAR MOUNTED 6" FROM CORNER FACE OF WALL, (1) 3'-6" GRAB BAR, 1'-0" FROM CORNER FACE OF WALL, AND (1) VERTICAL 18" BAR MOUNTED 39-41" AFF 51" FROM CORNER OF WALL ABOVE 3'-6" BAR.

