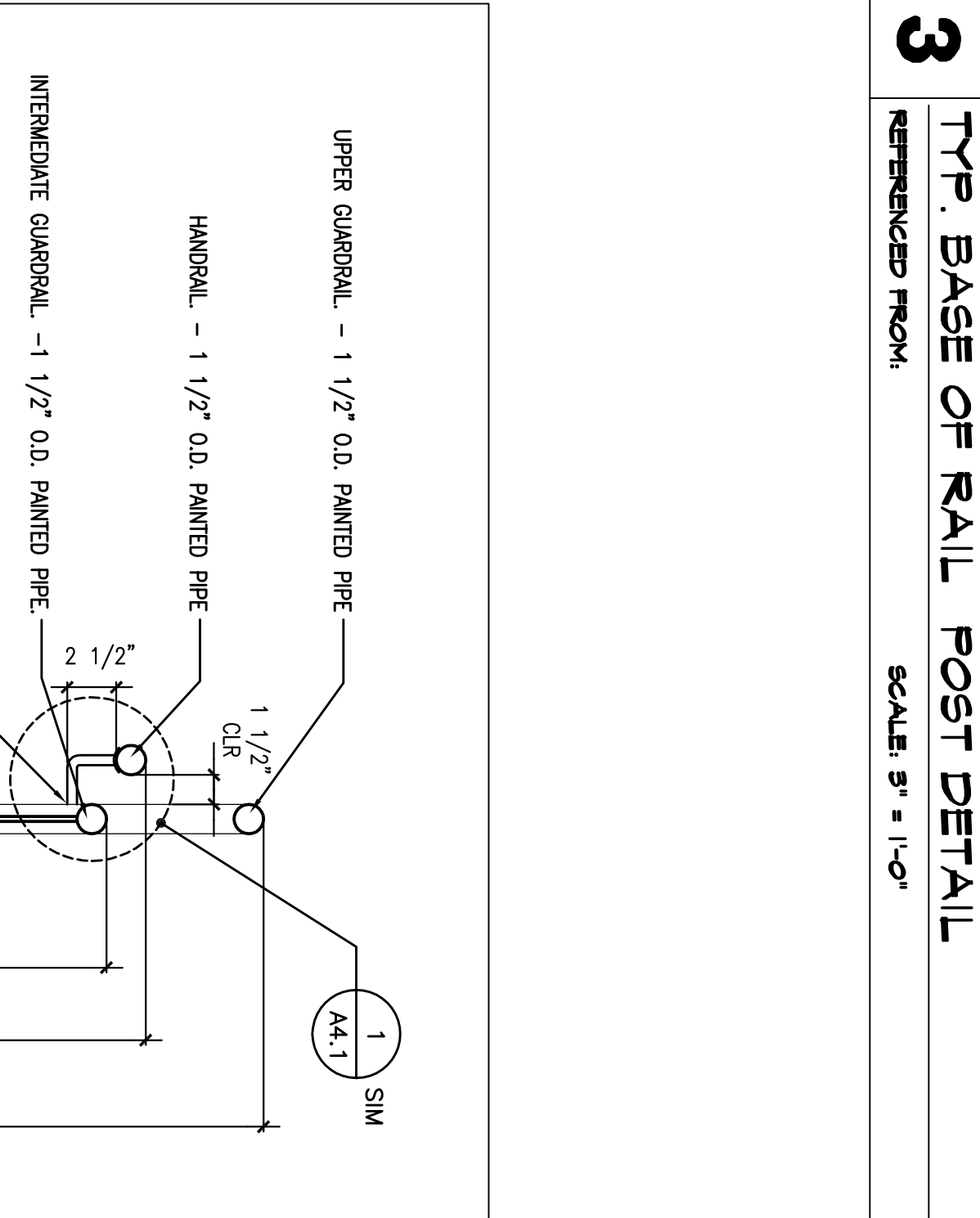
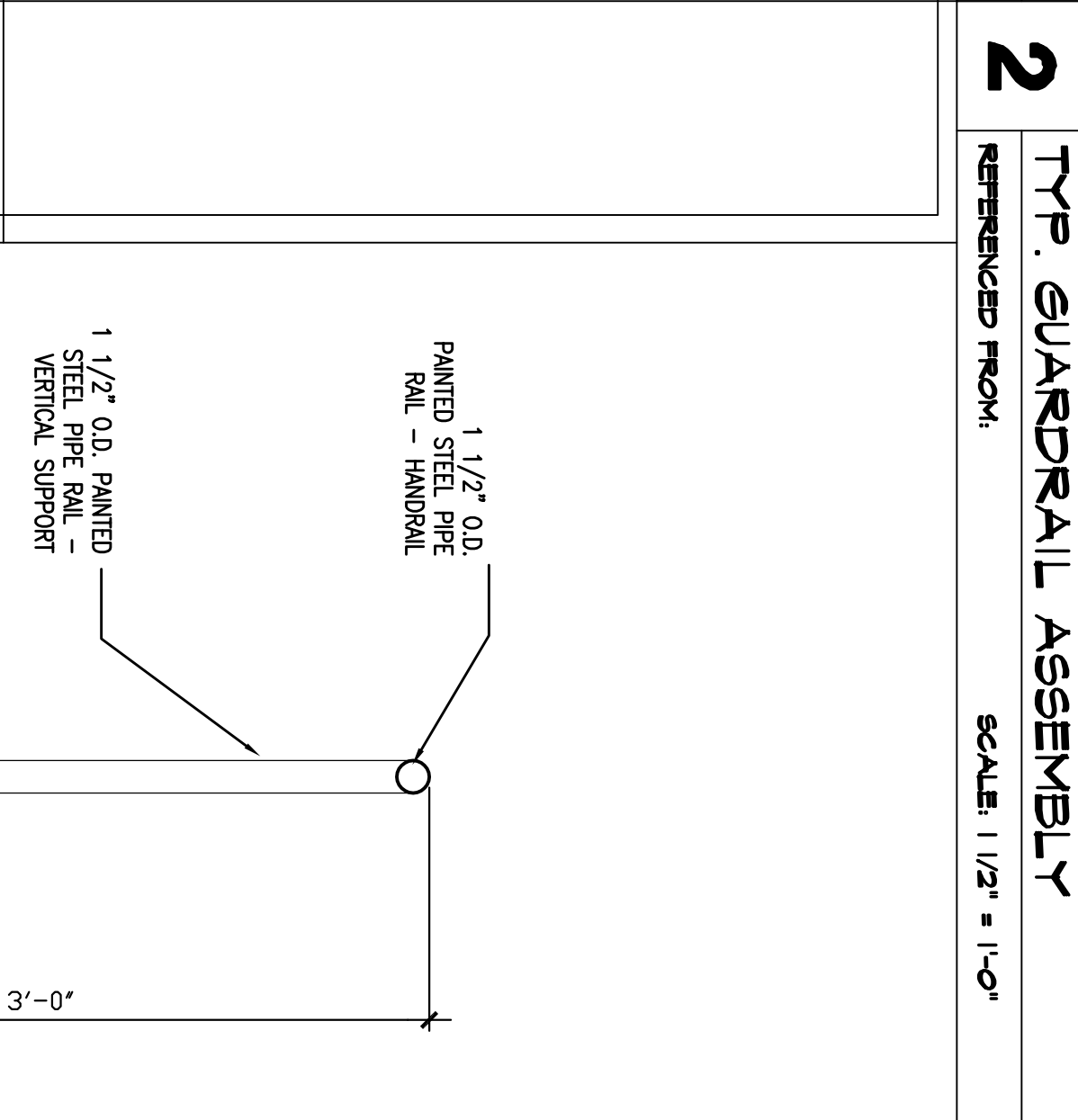
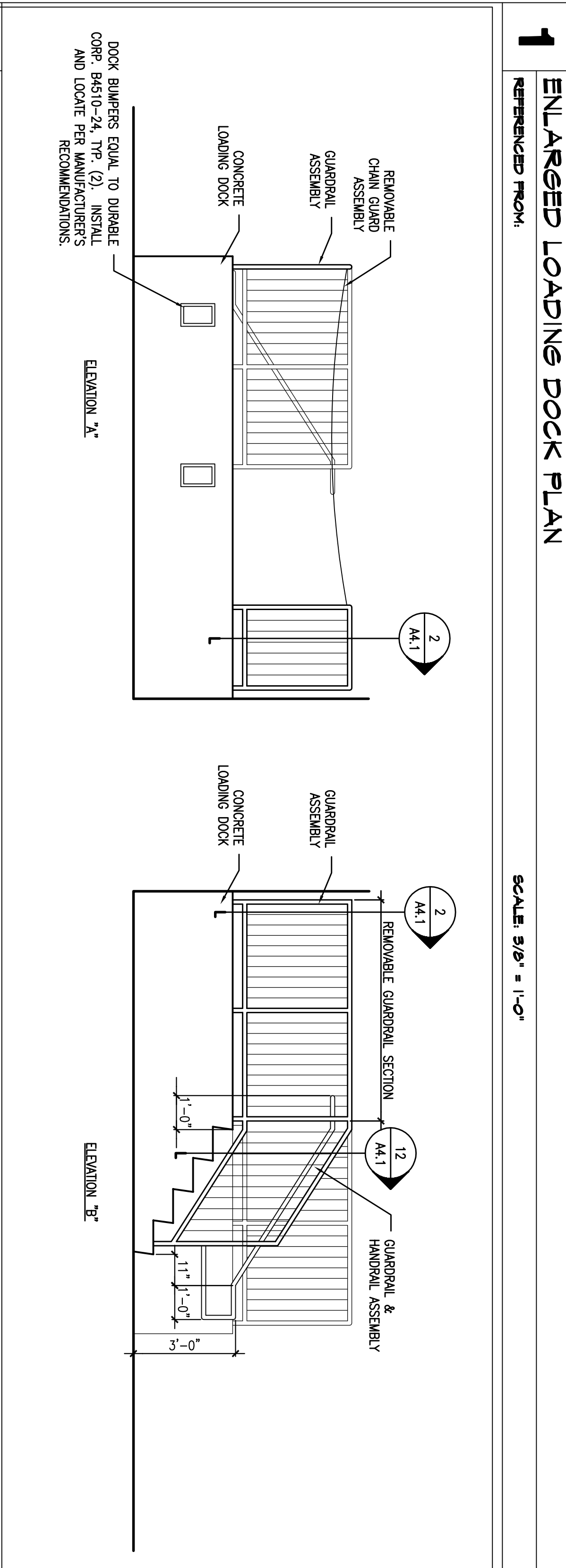


1 HANDRAIL DETAIL
SCALE: 5" = 1'-0"

NOTE:
PROVIDE EPOXY PAINT FINISH AT ALL EXTERIOR STEEL SURFACES. REFERENCE PAINT SCHEDULE FOR INTERIOR PAINT PRODUCTS.

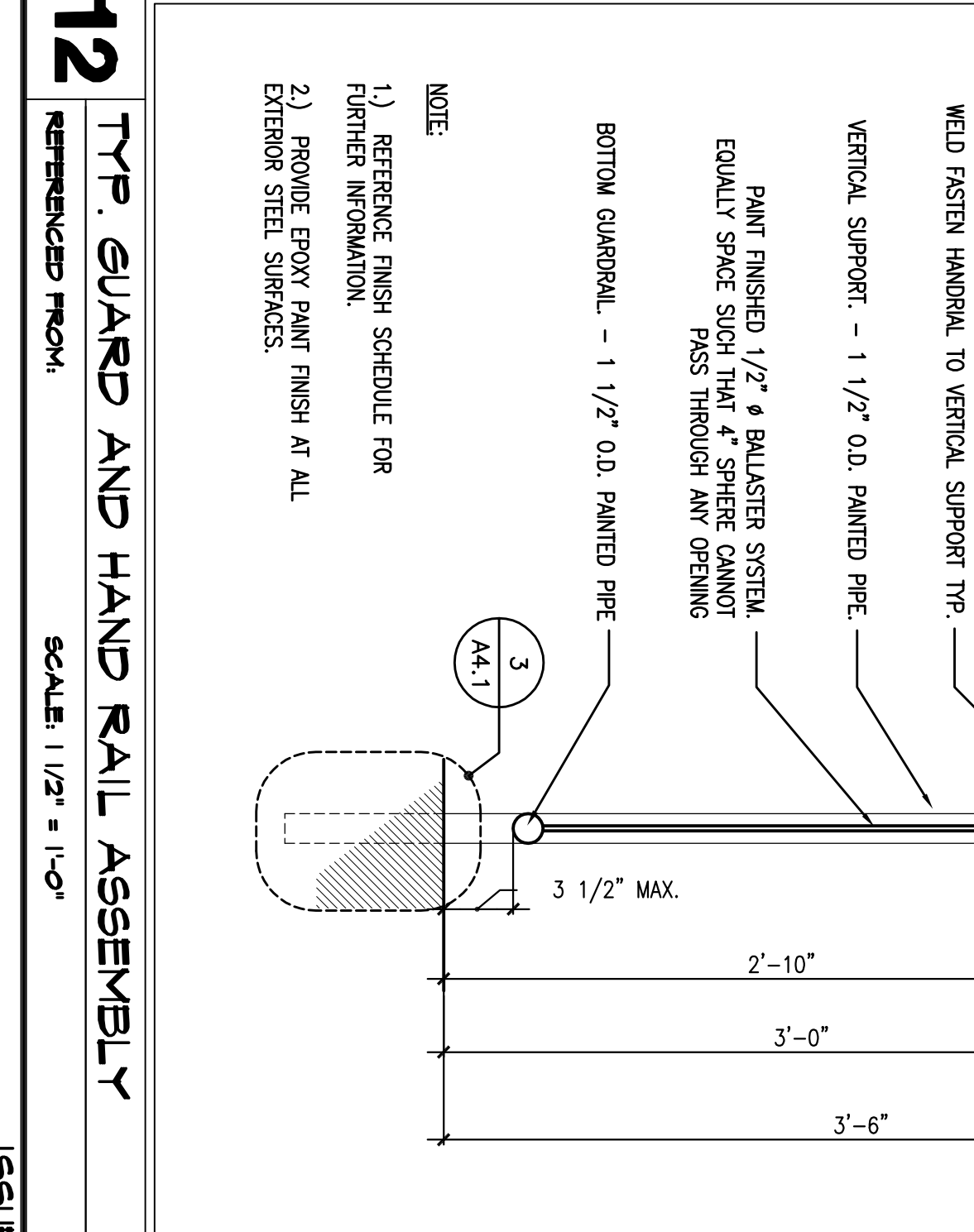
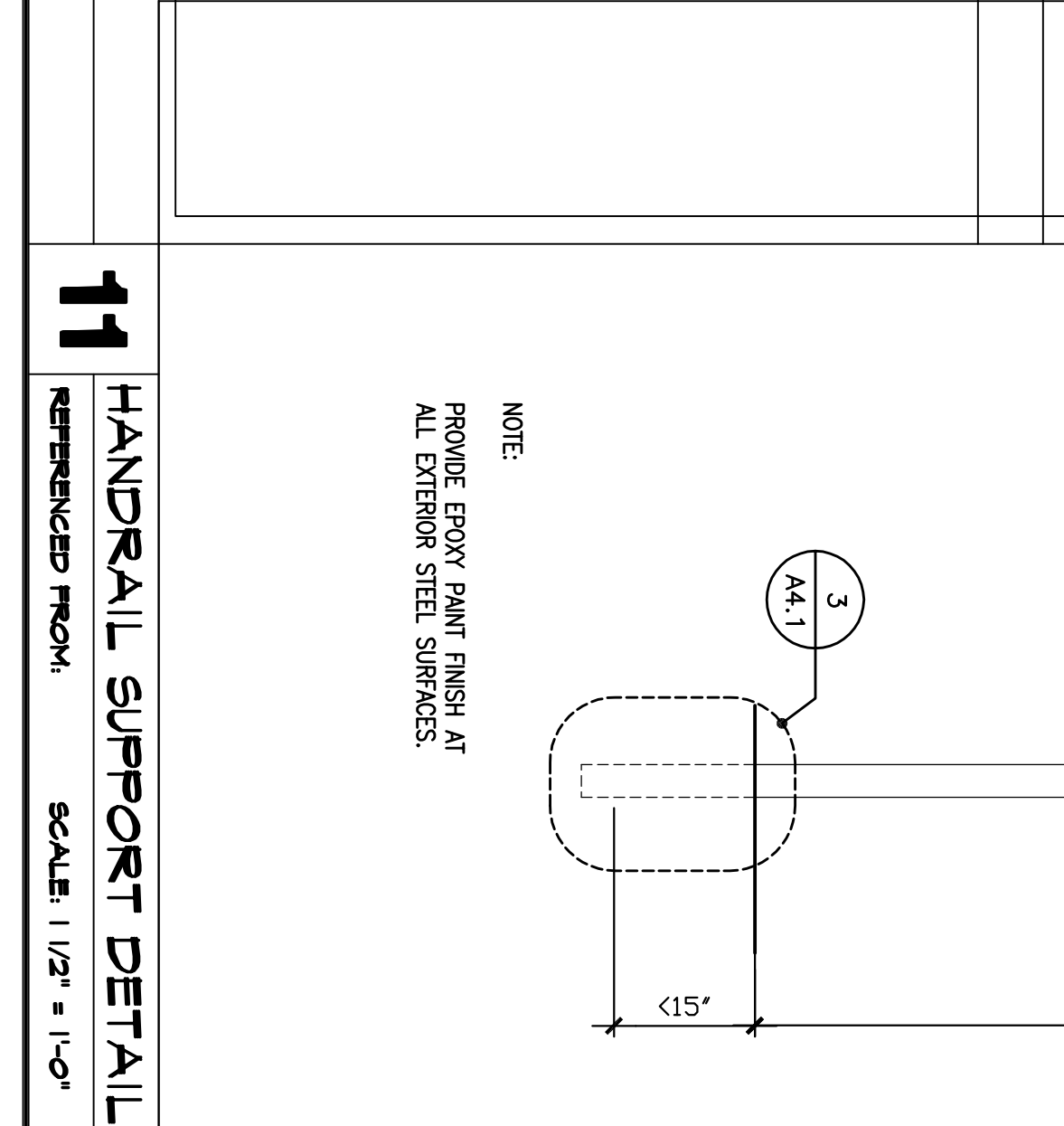
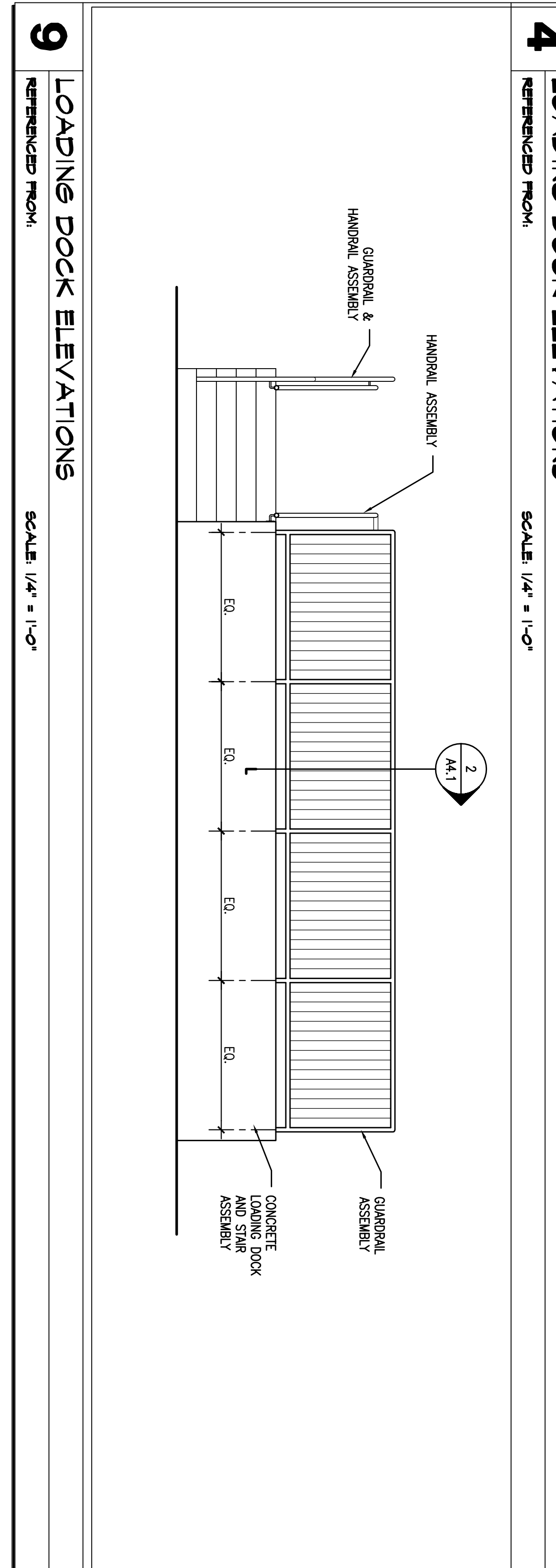
1 1/2" CLR
1 1/2" O.D. PAINTED STEEL PERAIL - HANDRAIL
1/2" x 1/2" BENT STEEL HANGER AND SPAN
3" DIA. x 1/4" STEEL FASTENING PLATE WITH (4) PREDRILLED SCREW HOLES
FACE OF CONCRETE FOUNDATION



2 TYP. GUARDRAIL ASSEMBLY
SCALE: 1 1/2" = 1'-0"

NOTE:
PROVIDE EPOXY PAINT FINISH AT ALL EXTERIOR STEEL SURFACES.

1 1/2" O.D. PAINTED STEEL PIPE RAIL - GUARDRAIL
1/2" ϕ STEEL BALUSTER SYSTEM. SPACE BALUSTERS SUCH THAT A 4" SPHERE CANNOT PASS THROUGH ANY OPENING.
1 1/2" O.D. PAINTED STEEL PIPE RAIL - VERTICAL SUPPORT
1 1/2" O.D. PAINTED STEEL PIPE RAIL - BOTTOM RAIL



3 TYP. BASE OF RAIL POST DETAIL
SCALE: 5" = 1'-0"

NOTE:
PROVIDE EPOXY PAINT FINISH AT ALL EXTERIOR STEEL SURFACES.

EDGE OF SLAB
3"
1 1/2" O.D. GALV. STEEL PIPE RAIL - PAINTED
TOP OF SLAB
2" O.D. GALV. STEEL PIPE SECTE W/ (2) #4 REBAR WELDED TO SIDES
1 1/2" CLR
1 1/2" O.D. PAINTED STEEL PERAIL - HANDRAIL

4 HANDRAIL SUPPORT DETAIL
SCALE: 1 1/2" = 1'-0"

NOTE:
PROVIDE EPOXY PAINT FINISH AT ALL EXTERIOR STEEL SURFACES.

1 1/2" O.D. PAINTED STEEL PIPE RAIL - HANDRAIL
1 1/2" O.D. PAINTED STEEL PIPE RAIL - VERTICAL SUPPORT

5 TYP. GUARD AND HAND RAIL ASSEMBLY
SCALE: 1 1/2" = 1'-0"

NOTE:
1) REFERENCE FINISH SCHEDULE FOR FURTHER INFORMATION.
2) PROVIDE EPOXY PAINT FINISH AT ALL EXTERIOR STEEL SURFACES.

UPPER GUARDRAIL - 1 1/2" O.D. PAINTED PIPE
HANDRAIL - 1 1/2" O.D. PAINTED PIPE
INTERMEDIATE GUARDRAIL - 1 1/2" O.D. PAINTED PIPE
WELD FASTEN HANDRAIL TO VERTICAL SUPPORT TOP
VERTICAL SUPPORT - 1 1/2" O.D. PAINTED PIPE
PAINT FINISHED 1/2" ϕ BALUSTER SYSTEM. EQUALLY SPACE SUCH THAT 4" SPHERE CANNOT PASS THROUGH ANY OPENING.
BOTTOM GUARDRAIL - 1 1/2" O.D. PAINTED PIPE

9 LOADING DOCK ELEVATIONS SCALE: 1/4" = 1'-0"

11 HANDRAIL SUPPORT DETAIL SCALE: 1 1/2" = 1'-0"

12 TYP. GUARD AND HAND RAIL ASSEMBLY SCALE: 1 1/2" = 1'-0"

REVISIONS:

Description	Date

Owner:
INVESTMENT ASSOC. INC.
183 MIDDLE STREET
PORTLAND, MAINE 04101

LOADING DOCK ADDITION TO 281 MARGINAL WAY
PORTLAND, MAINE 04101

CWS Architects
454 Cumberland Avenue
Portland, ME 04101
Phone: (207) 774-4441
Fax: (207) 774-4016
www.CWSarch.com

Drawing Title:
LOADING DOCK PLAN, ELEVATIONS & DETAILS
Scale: 1/8" = 1'-0"
Date: PROGRESS 4/7/04
CWS Proj. No.:

Drawing Number:
A4.1

ISSUED FOR PERMITTING