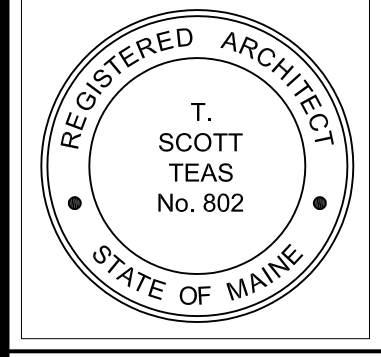
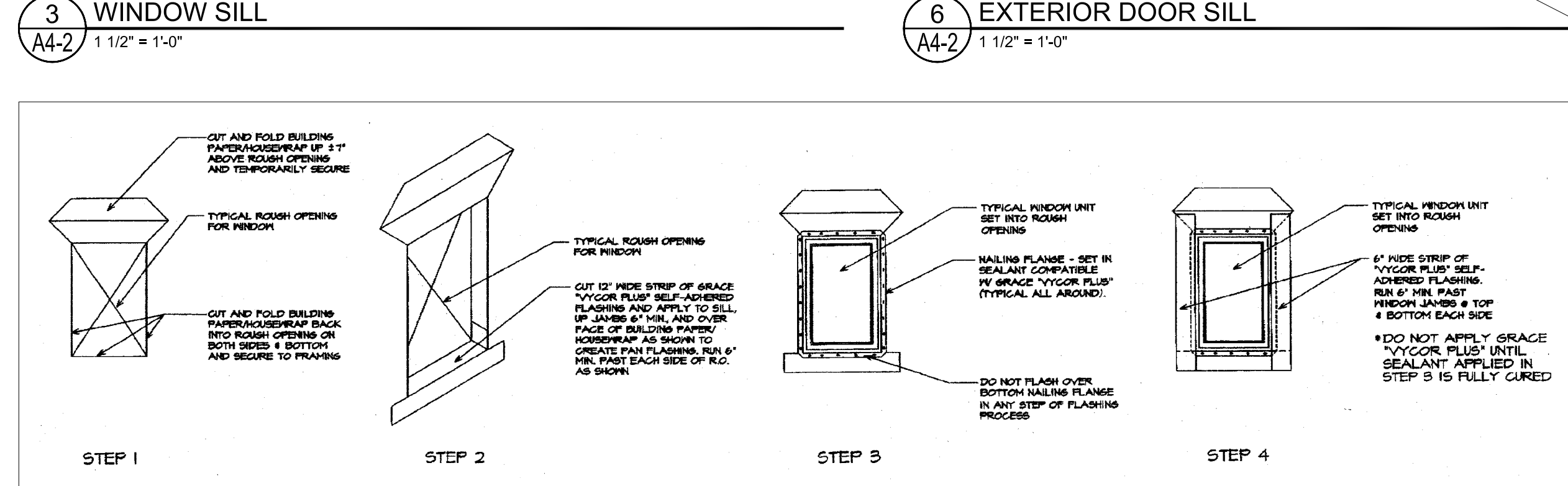
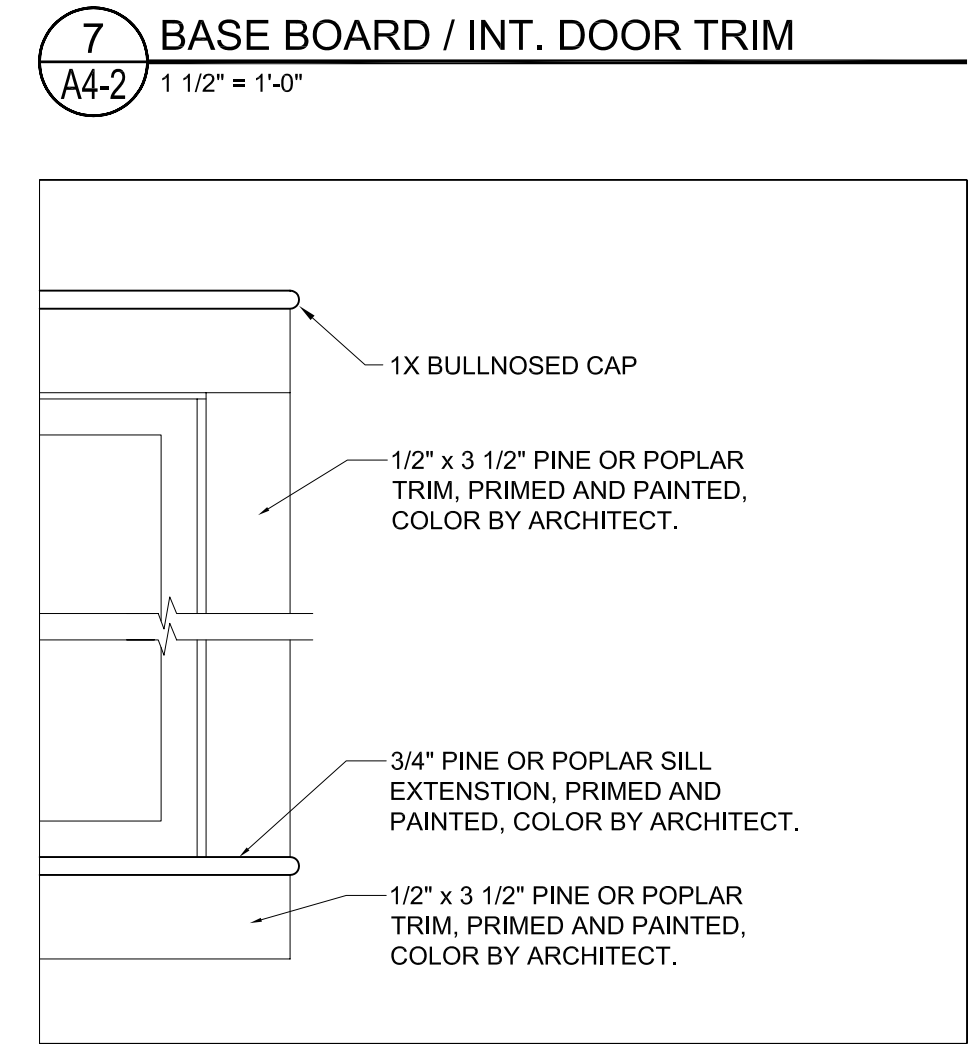
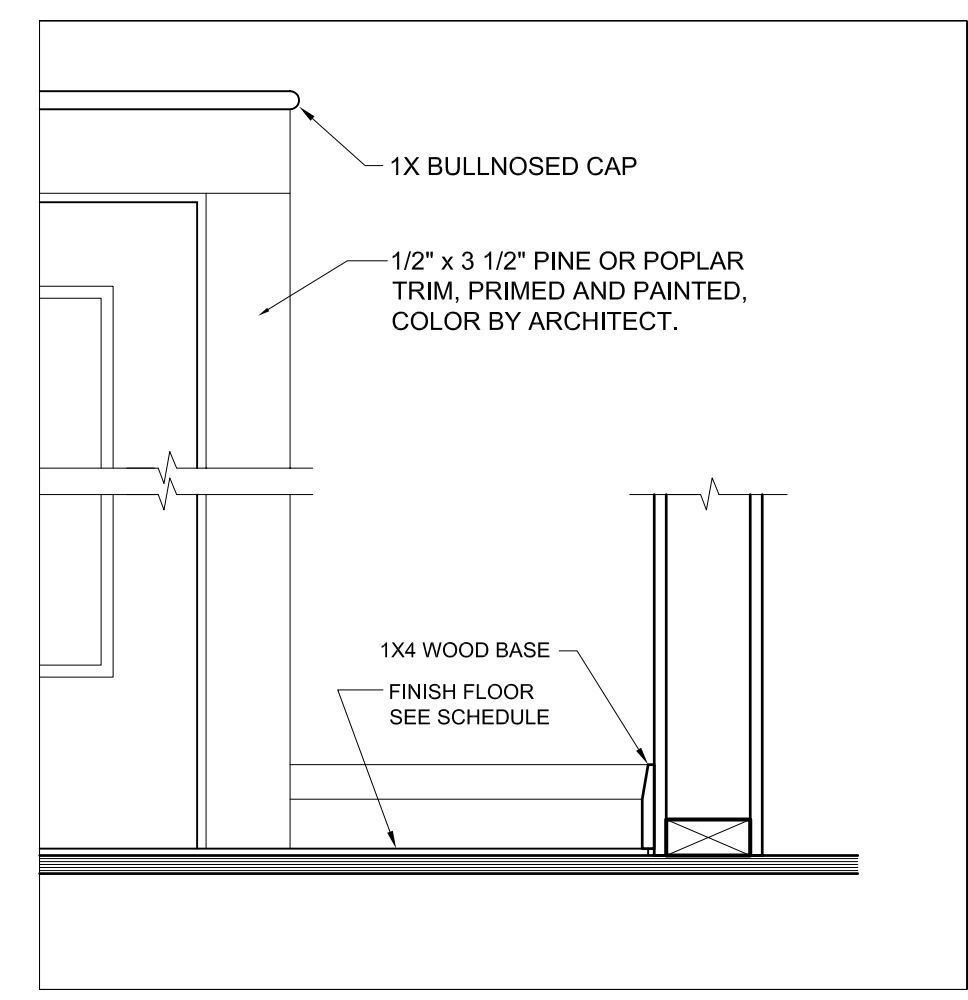
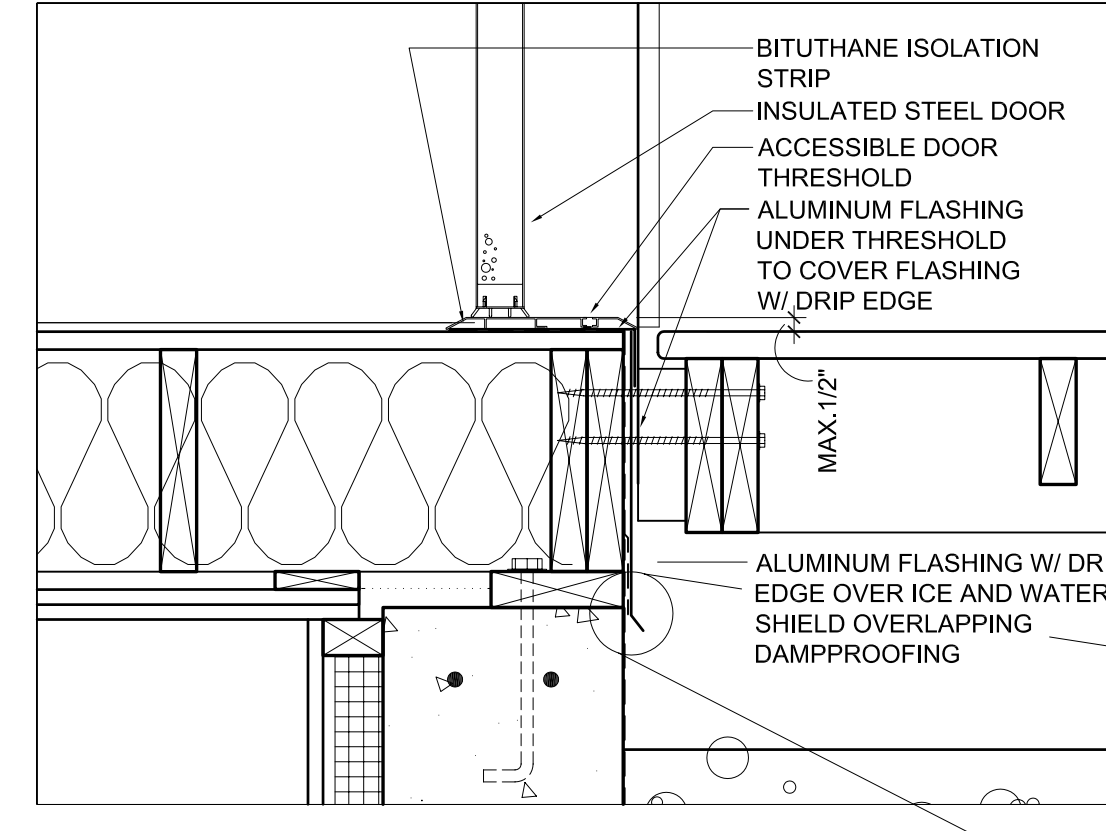
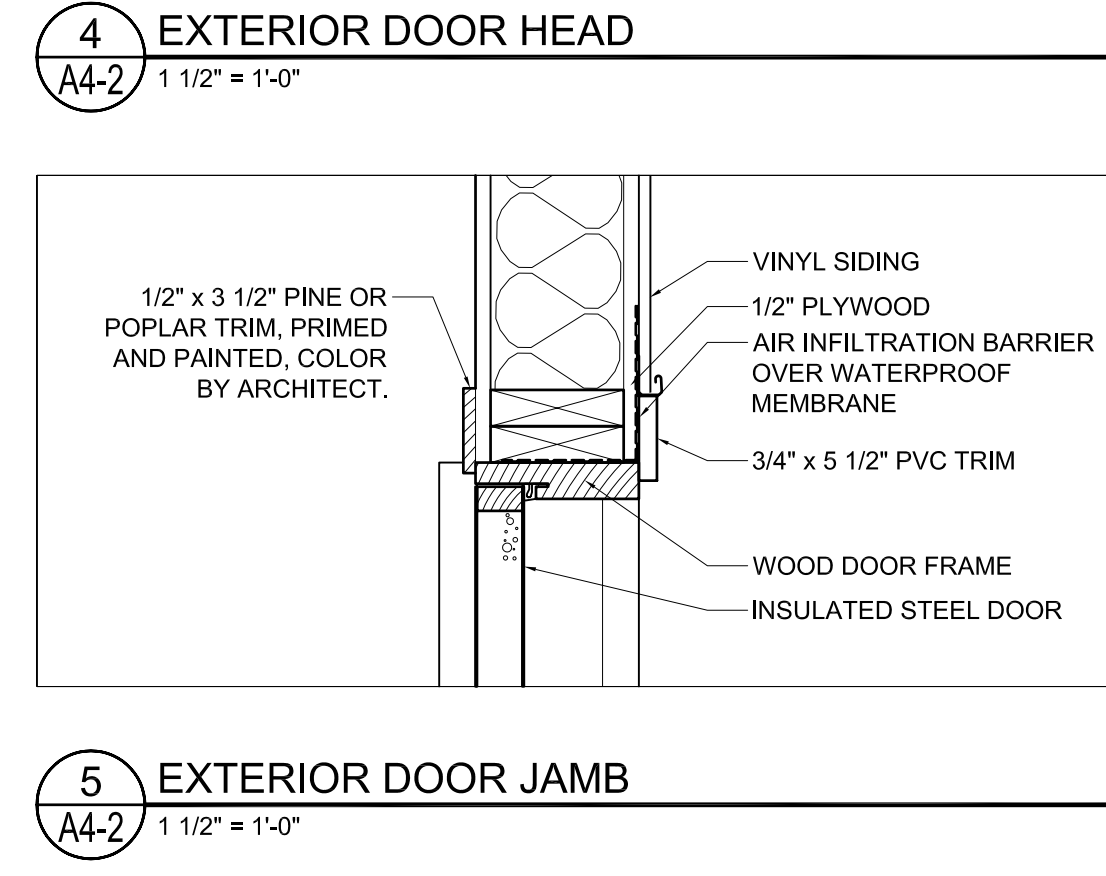
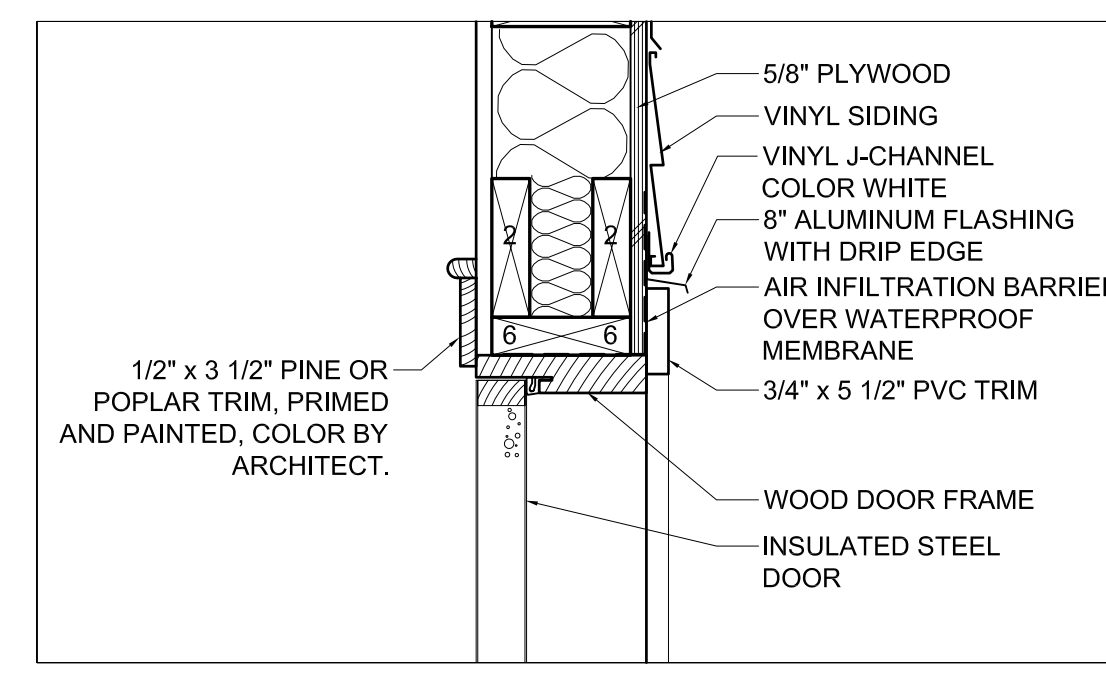
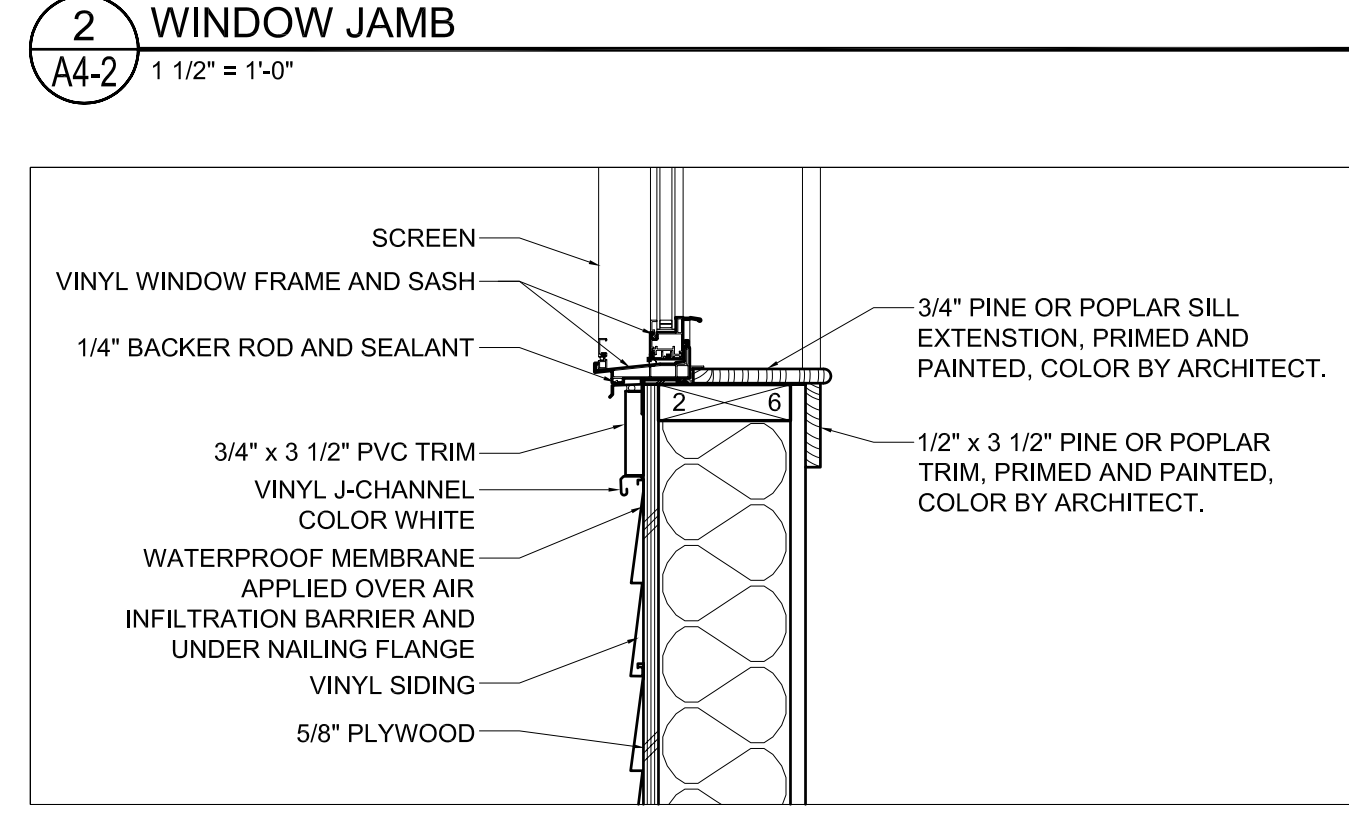
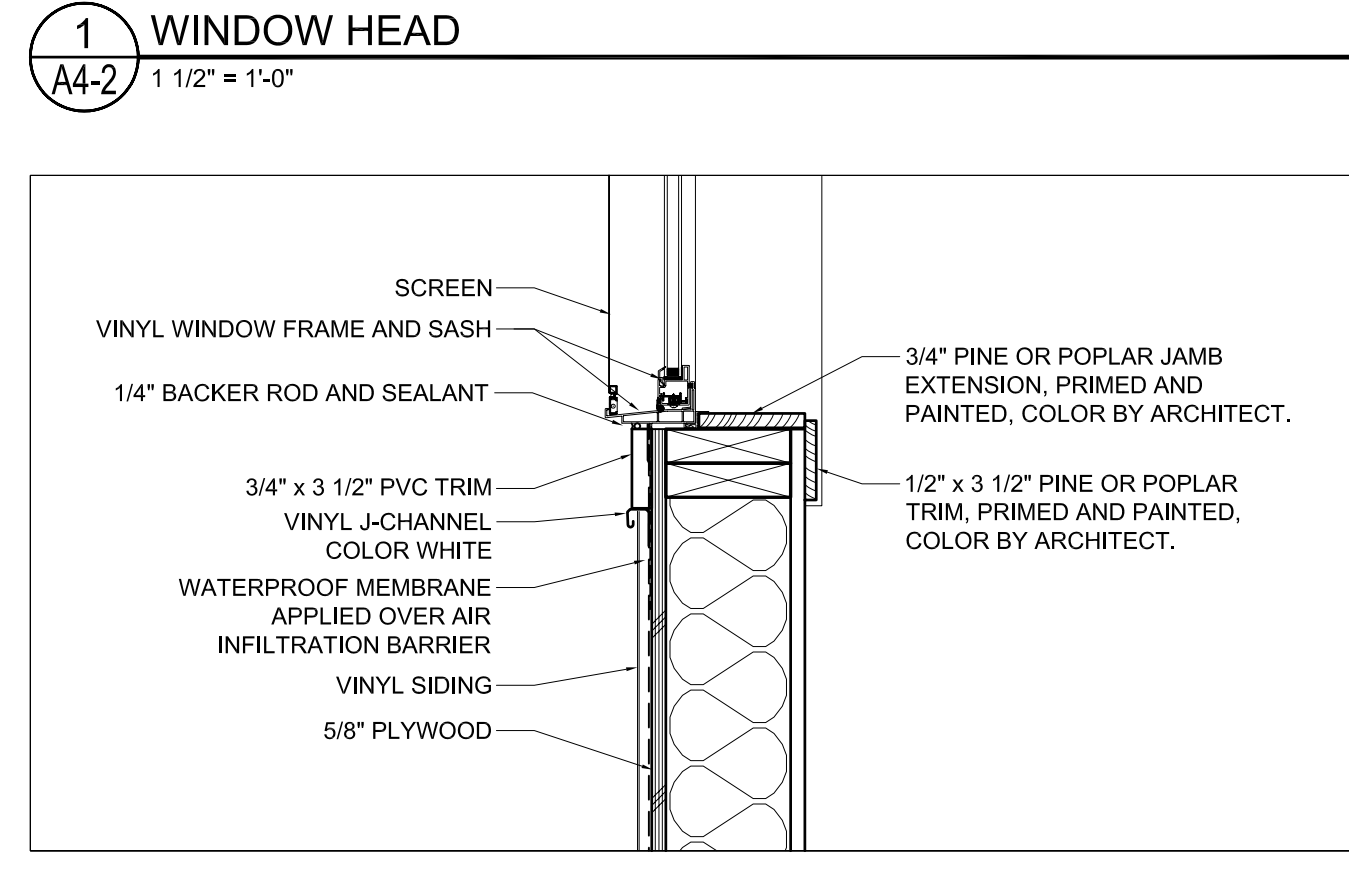
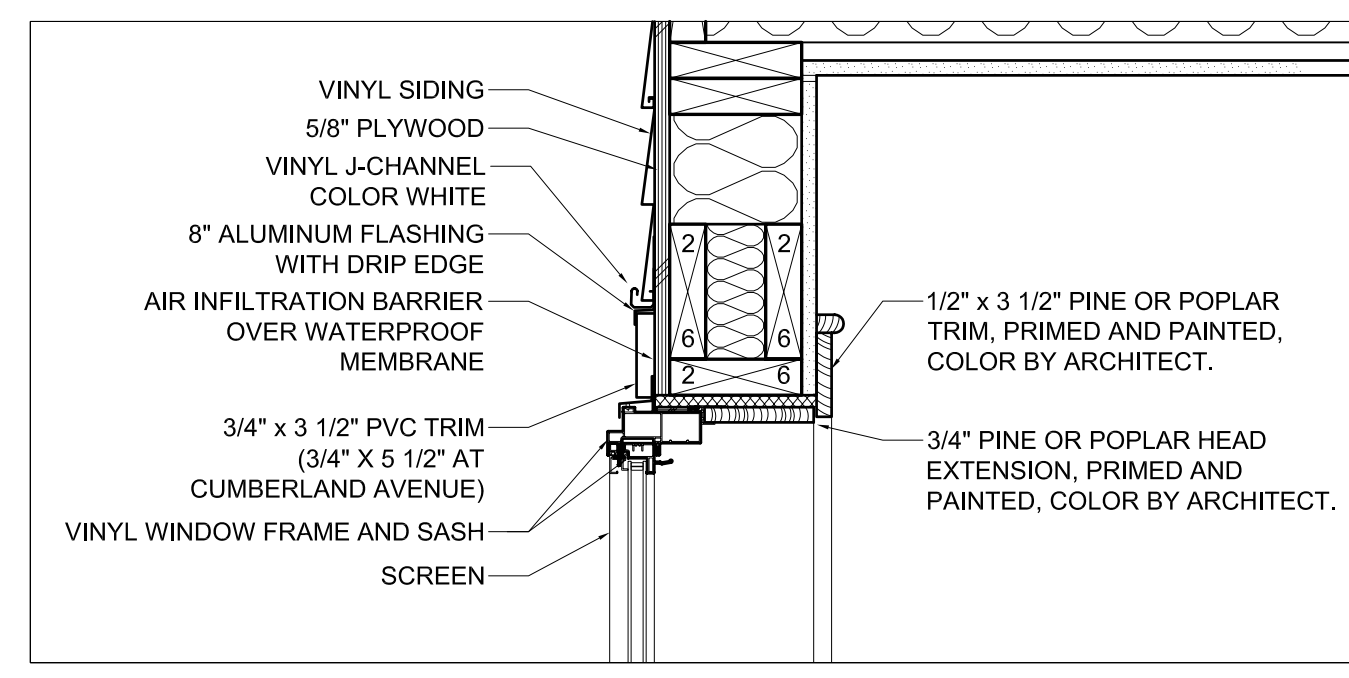
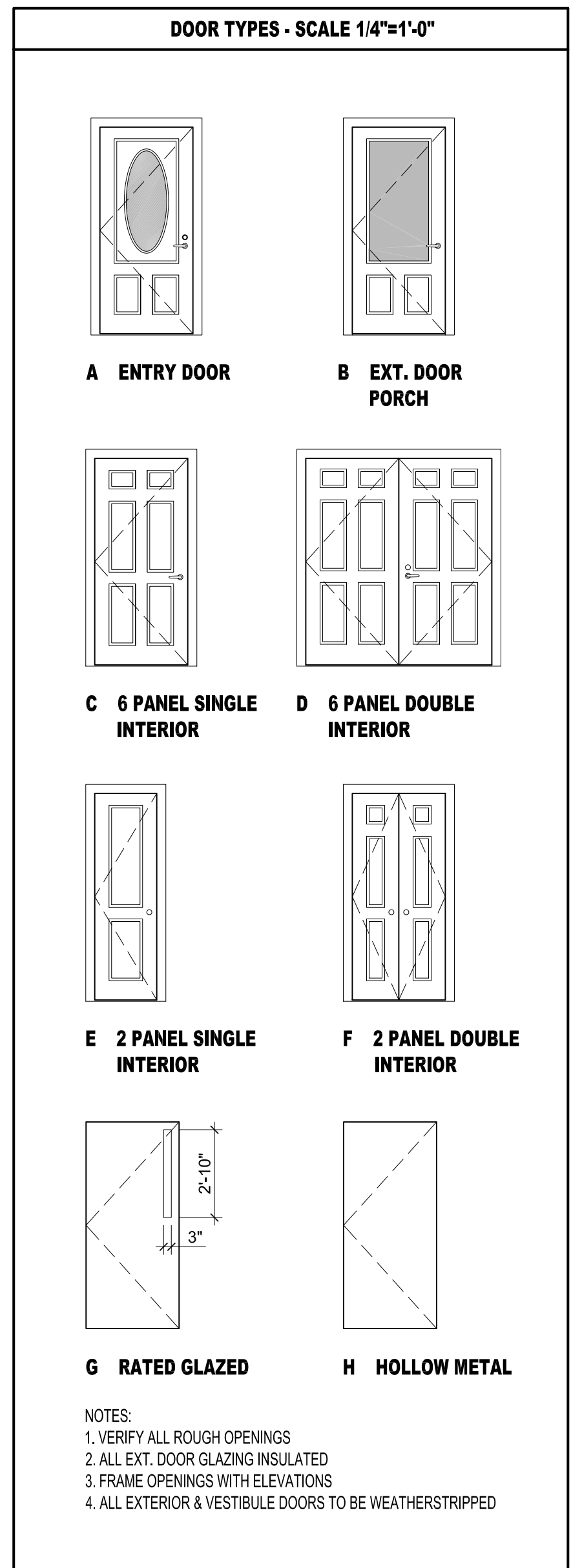
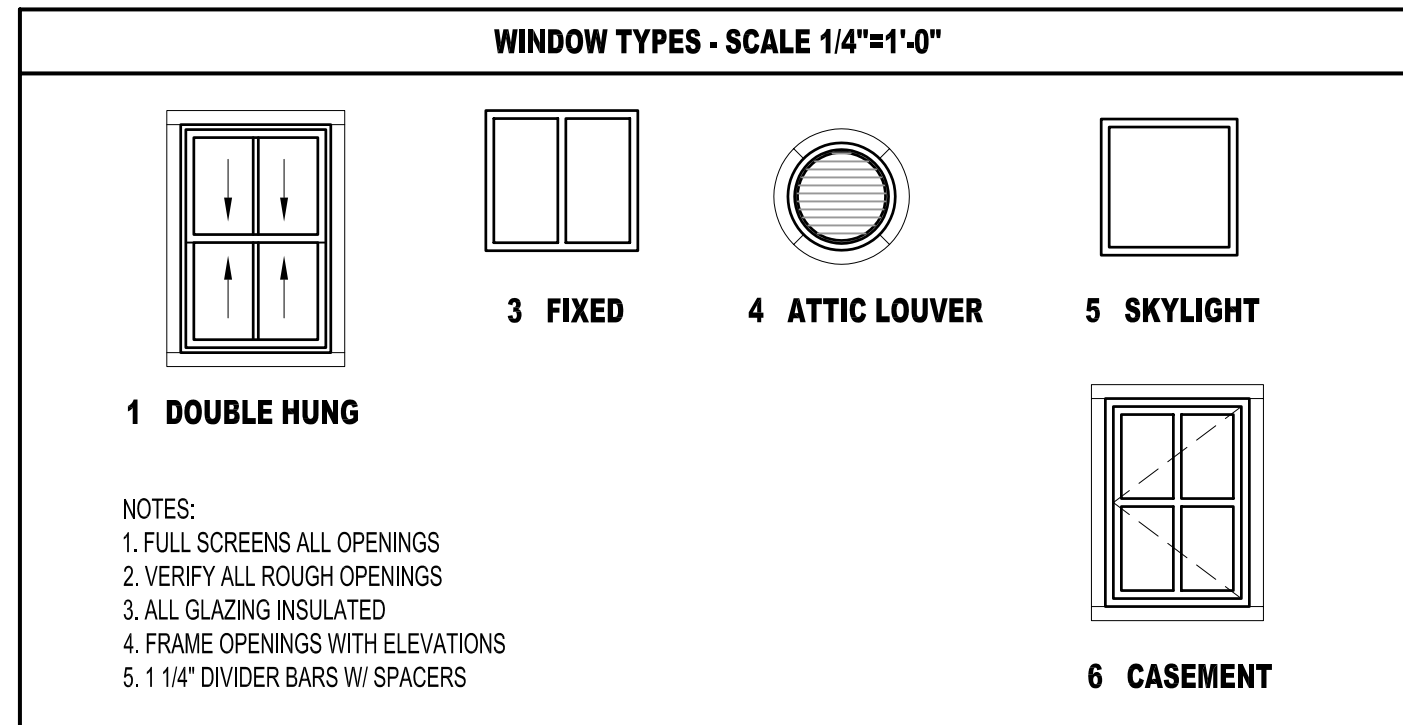
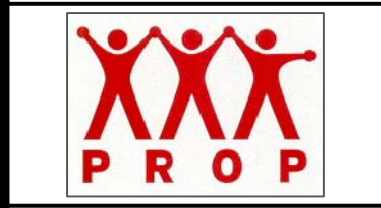


DOOR SCHEDULE																			
DOOR NO.	TYPE	SIZE				MATERIAL	FINISH	INSULATED	FRAME				GENERAL						
		WIDTH	HEIGHT	THICKNESS	TYPE				HEAD	JAMB	SILL	CLOSER	FIRE RATING	HARDWARE	REMARKS				
BASEMENT																			
001	H	3'-0"	6'-8"	1-3/4"	STL	PTD.	Y	-	STL	-	-	-	-	-	-	-	-	-	LS
002	H	3'-0"	6'-8"	1-3/4"	STL	PTD.	Y	-	STL	-	-	-	-	-	-	-	-	-	LS
003	H	3'-0"	6'-8"	1-3/4"	STL	PTD.	Y	-	STL	-	-	-	-	-	-	-	-	-	LS
004	H	3'-0"	6'-8"	1-3/4"	STL	PTD.	Y	-	STL	-	-	-	-	-	-	-	-	-	LS
005	H	3'-0"	6'-8"	1-3/4"	STL	PTD.	Y	-	STL	-	-	-	-	-	-	-	-	-	LS
006	H	3'-0"	6'-8"	1-3/4"	STL	PTD.	Y	-	STL	-	-	-	-	-	-	-	-	-	LS
007	H	3'-0"	6'-8"	1-3/4"	STL	PTD.	Y	-	STL	-	-	-	-	-	-	-	-	-	LS
FIRST FLOOR																			
101	A	3'-0"	6'-8"	1-3/4"	WD/GL	PTD.	Y	-	WD	AL	-	-	-	-	-	-	-	-	LS
102	A	3'-0"	6'-8"	1-3/4"	WD/GL	PTD.	Y	-	WD	AL	-	-	-	-	-	-	-	-	LS
103	A	3'-0"	6'-8"	1-3/4"	WD/GL	PTD.	Y	-	WD	AL	-	-	-	-	-	-	-	-	LS
104	A	3'-0"	6'-8"	1-3/4"	WD/GL	PTD.	Y	-	WD	AL	-	-	-	-	-	-	-	-	LS
105	C	2'-8"	6'-8"	1-3/4"	WD	PTD.	N	-	WD	-	-	-	-	-	-	-	-	-	LP
106	D	4'-6"	6'-8"	1-3/4"	WD	PTD.	N	-	WD	-	-	-	-	-	-	-	-	-	LP
107	C	2'-8"	6'-8"	1-3/4"	WD	PTD.	N	-	WD	-	-	-	-	-	-	-	-	-	LP
108	C	2'-8"	6'-8"	1-3/4"	WD	PTD.	N	-	WD	VIN	-	-	-	-	-	-	-	-	PR
109	C	2'-8"	6'-8"	1-3/4"	WD	PTD.	N	-	WD	-	-	-	-	-	-	-	-	-	PR
110	C	2'-8"	6'-8"	1-3/4"	WD	PTD.	N	-	WD	-	-	-	-	-	-	-	-	-	LP
111	C	2'-8"	6'-8"	1-3/4"	WD	PTD.	N	-	WD	-	-	-	-	-	-	-	-	-	LP
112	C	2'-8"	6'-8"	1-3/4"	WD	PTD.	N	-	WD	-	-	-	-	-	-	-	-	-	PR
113	C	2'-8"	6'-8"	1-3/4"	WD	PTD.	N	-	WD	-	-	-	-	-	-	-	-	-	LP
114	B	2'-8"	6'-8"	1-3/4"	WD/GL	PTD.	Y	-	WD	AL	-	-	-	-	-	-	-	-	LS
115	C	2'-8"	6'-8"	1-3/4"	WD	PTD.	N	-	WD	VIN	-	-	-	-	-	-	-	-	PR
116	C	2'-8"	6'-8"	1-3/4"	WD	PTD.	N	-	WD	-	-	-	-	-	-	-	-	-	LP
117	C	2'-8"	6'-8"	1-3/4"	WD	PTD.	N	-	WD	-	-	-	-	-	-	-	-	-	LP
118	C	2'-8"	6'-8"	1-3/4"	WD	PTD.	N	-	WD	-	-	-	-	-	-	-	-	-	PR
119	C	2'-8"	6'-8"	1-3/4"	WD	PTD.	N	-	WD	VIN	-	-	-	-	-	-	-	-	PR
120	C	2'-8"	6'-8"	1-3/4"	WD	PTD.	N	-	WD	-	-	-	-	-	-	-	-	-	PR
121	C	2'-8"	6'-8"	1-3/4"	WD	PTD.	N	-	WD	-	-	-	-	-	-	-	-	-	LP
122	C	2'-8"	6'-8"	1-3/4"	WD	PTD.	N	-	WD	-	-	-	-	-	-	-	-	-	LP
123	C	2'-8"	6'-8"	1-3/4"	WD	PTD.	N	-	WD	-	-	-	-	-	-	-	-	-	LP
124	D	5'-0"	6'-8"	1-3/4"	WD	PTD.	N	-	WD	-	-	-	-	-	-	-	-	-	DOUBLE DOOR
125	B	2'-8"	6'-8"	1-3/4"	WD/GL	PTD.	Y	-	WD	AL	-	-	-	-	-	-	-	-	LS
126	C	2'-8"	6'-8"	1-3/4"	WD	PTD.	N	-	WD	VIN	-	-	-	-	-	-	-	-	PR
SECOND FLOOR																			
201	D	4'-6"	6'-8"	1-3/4"	WD	PTD.	N	-	WD	-	-	-	-	-	-	-	-	-	DOUBLE DOOR
202	C	2'-8"	6'-8"	1-3/4"	WD	PTD.	N	-	WD	-	-	-	-	-	-	-	-	-	PR
203	C	2'-8"	6'-8"	1-3/4"	WD	PTD.	N	-	WD	VIN	-	-	-	-	-	-	-	-	PR
204	C	2'-8"	6'-8"	1-3/4"	WD	PTD.	N	-	WD	-	-	-	-	-	-	-	-	-	PR
205	C	2'-8"	6'-8"	1-3/4"	WD	PTD.	N	-	WD	-	-	-	-	-	-	-	-	-	LP
206	C	2'-8"	6'-8"	1-3/4"	WD	PTD.	N	-	WD	-	-	-	-	-	-	-	-	-	LP
207	C	2'-8"	6'-8"	1-3/4"	WD	PTD.	N	-	WD	-	-	-	-	-	-	-	-	-	PR
208	C	2'-8"	6'-8"	1-3/4"	WD	PTD.	N	-	WD	-	-	-	-	-	-	-	-	-	LP
209	B	2'-8"	6'-8"	1-3/4"	WD/GL	PTD.	Y	-	WD	AL	-	-	-	-	-	-	-	-	LS
210	E	1'-6"	6'-8"	1-3/4"	WD	PTD.	N	-	WD	-	-	-	-	-	-	-	-	-	LP
211	E	1'-6"	6'-8"	1-3/4"	WD	PTD.	N	-	WD	-	-	-	-	-	-	-	-	-	LP
212	B	2'-8"	6'-8"	1-3/4"	WD/GL	PTD.	Y	-	WD	AL	-	-	-	-	-	-	-	-	LS
213	D	5'-0"	6'-8"	1-3/4"	WD	PTD.	N	-	WD	-	-	-	-	-	-	-	-	-	DOUBLE DOOR
214	C	2'-8"	6'-8"	1-3/4"	WD	PTD.	N	-	WD	-	-	-	-	-	-	-	-	-	PR
215	C	2'-8"	6'-8"	1-3/4"	WD	PTD.	N	-	WD	-	-	-	-	-	-	-	-	-	LP
216	C	2'-8"	6'-8"	1-3/4"	WD	PTD.	N	-	WD	-	-	-	-	-	-	-	-	-	LP
217	C	2'-8"	6'-8"	1-3/4"	WD	PTD.	N	-	WD	-	-	-	-	-	-	-	-	-	PR
218	C	2'-8"	6'-8"	1-3/4"	WD	PTD.	N	-	WD	VIN	-	-	-	-	-	-	-	-	PR
219	C	2'-8"	6'-8"	1-3/4"	WD	PTD.	N	-	WD	-	-	-	-	-	-	-	-	-	PR
220	C	2'-8"	6'-8"	1-3/4"	WD	PTD.	N	-	WD	-	-	-	-	-	-	-	-	-	LP
THIRD FLOOR																			
301	C	2'-8"	6'-8"	1-3/4"	WD	PTD.	N	-	WD	-	-	-	-	-	-	-	-	-	PR
302	C	2'-8"	6'-8"	1-3/4"	WD	PTD.	N	-	WD	VIN	-	-	-	-	-	-	-	-	PR
303	C	2'-8"	6'-8"	1-3/4"	WD	PTD.	N	-	WD	-	-	-	-	-	-	-	-	-	LP
304	C	2'-8"	6'-8"	1-3/4"	WD	PTD.	N	-	WD	-	-	-	-	-	-	-	-	-	PR
305	C	2'-8"	6'-8"	1-3/4"	WD	PTD.	N	-	WD	VIN	-	-	-	-	-	-	-	-	PR
306	C	2'-8"	6'-8"	1-3/4"	WD	PTD.	N	-	WD	-	-	-	-	-	-	-	-	-	LP
307	E	2'-0"	6'-8"	1-3/4"	WD	PTD.	Y	-	WD	VIN	-	-	-	-	-	-	-	-	1HR LP ATTIC ACCESS DOOR
308	E	1'-6"	2'-0"	1-3/4"	WD	PTD.	Y	-	WD	VIN	-	-	-	-	-	-	-	-	1HR LP ATTIC ACCESS DOOR
309	E	2'-0"	6'-8"	1-3/4"	WD	PTD.	Y	-	WD	VIN	-	-	-	-	-	-	-	-	1HR LP ATTIC ACCESS DOOR
310	C	2'-8"	6'-8"	1-3/4"	WD	PTD.	N	-	WD	-	-	-	-	-	-	-	-	-	LP
311	C	2'-0"	6'-8"	1-3/4"	WD	PTD.	N	-	WD	-	-	-	-	-	-	-	-	-	LP

WINDOW SCHEDULE										
KEY	ACTION	ROUGH OPENING (WxH) WF	HEAD HEIGHT *	DETAILS			FRAME	REMARKS	GENERAL	
				HEAD	JAMB	SILL			MATERIAL	FINISH
1	DH	3'-3" X 5'-0"	7'-0"	-	-	-	VINYL WHITE	EGRESS IN BEDROOMS, EXT JAMBS		
2								NOT USED		
3	FX	3'-10" X 2'-11"	7'-2"	-	-	-	VINYL WHITE	TEMPERED GLASS		
4		27 3/4" DIA	V.I.F.	-	-	-	VINYL WHITE	ATTIC LOUVER WITH INSECT/BIRD SCREEN, SEE ELEVATIONS		
5		30 1/4" X 30 1/4"		-	-	-	VINYL WHITE	WASCO SYDOME DDCS-1 OR SIM.		
6	CM	3'-0" X 4'-4"	5'-10"	-	-	-	VINYL WHITE	EGRESS		



© 2005 TFH ARCHITECTS



CUMBERLAND AVENUE - SOUTH ANDERSON STREET
 PEOPLE'S REGIONAL OPPORTUNITY PROGRAM
 PORTLAND, MAINE

TFH ARCHITECTS
 100 COMMERCIAL STREET
 PORTLAND MAINE 04101
 TELEPHONE 207 775 6141
 ARCHITECTURE PLANNING

CONSULTANTS:
 CEBL
 Pinkham & Greer
 170 US Route One
 Fairbourn, ME 04105
 207-781-6242
 STRUCTURAL
 Structural Design Consulting
 Five Balm Lane
 Fairbourn, ME 04105-2446
 207-876-8038
 MECHANICAL
 Wilbury Engineering
 10 Dartmouth Place
 Portland, ME 04102
 207-833-2921
 ELECTRICAL
 Bennett Engineering
 7 Bennett Road
 Freetown, ME 04032
 207-855-8475

REVISIONS:
 DATE: 01/14/05
 PROJECT No. 0203
 DRAWN BY: SA
 CHECKED BY: DAM
 SCALE: AS NOTED
 SHEET TITLE:

DOOR AND WINDOW SCHEDULE

A4.2