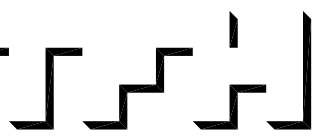


© 2005 TFH ARCHITECTS



CUMBERLAND AVENUE - SOUTH ANDERSON STREET
PEOPLE'S REGIONAL OPPORTUNITY PROGRAM
PORTLAND, MAINE



TFH ARCHITECTS
100 COMMERCIAL STREET
PORTLAND MAINE 04101
TELEPHONE 207 775 6141
ARCHITECTURE PLANNING

CONSULTANTS:

REVISIONS:

DATE: 01/14/05

PROJECT No. 0203

DRAWN BY: SA

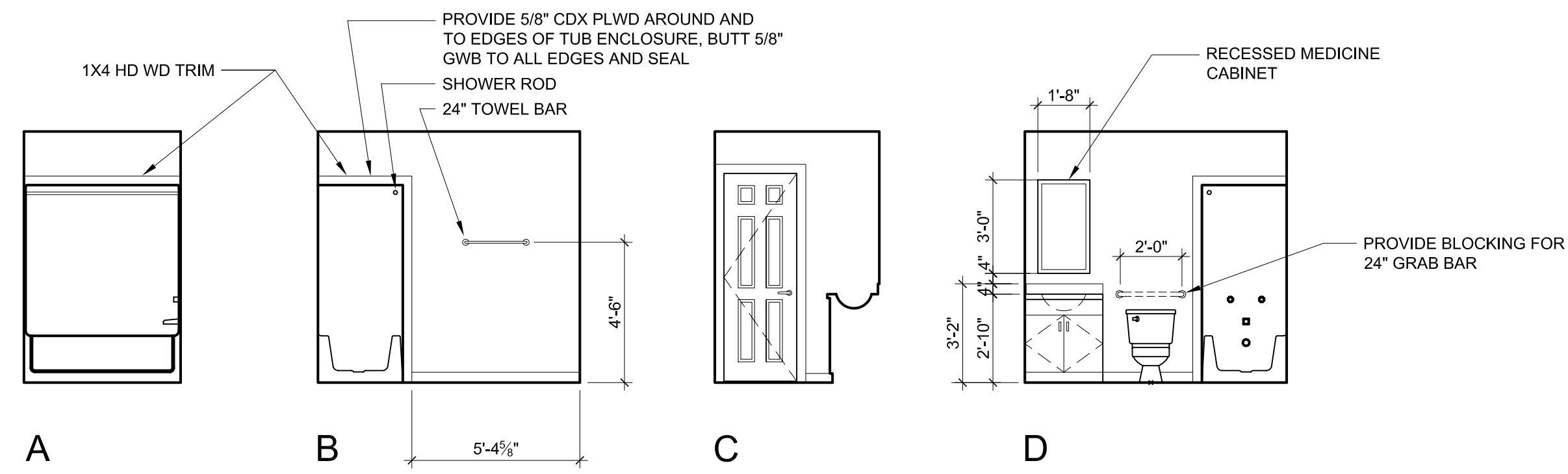
CHECKED BY: DAM

SCALE: AS NOTED

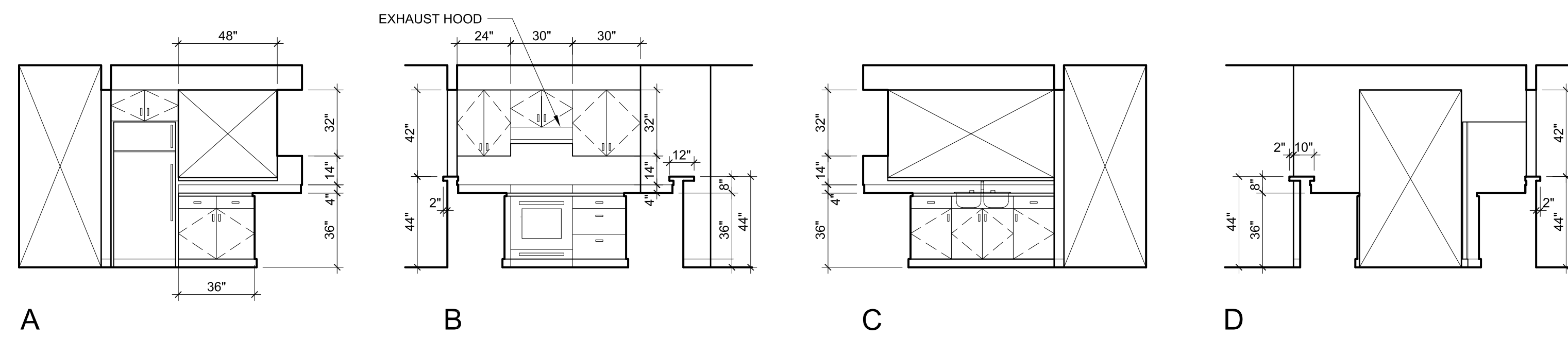
SHEET TITLE:

INTERIOR
ELEVATIONS

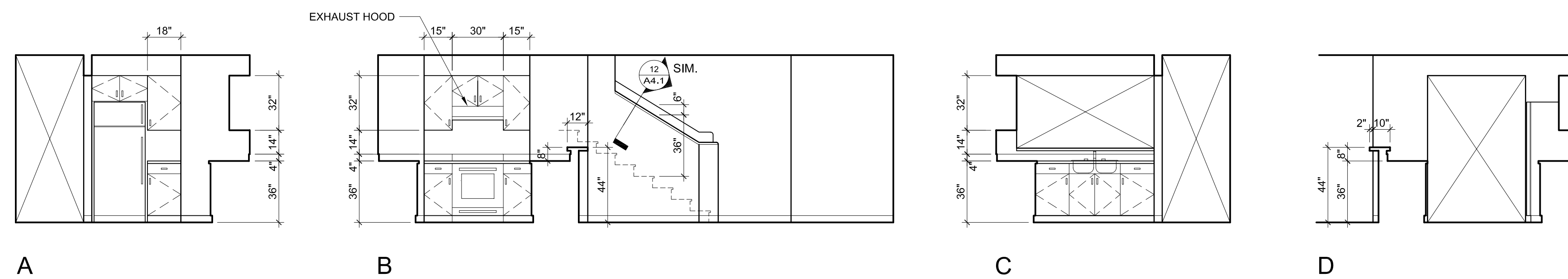
A2.2



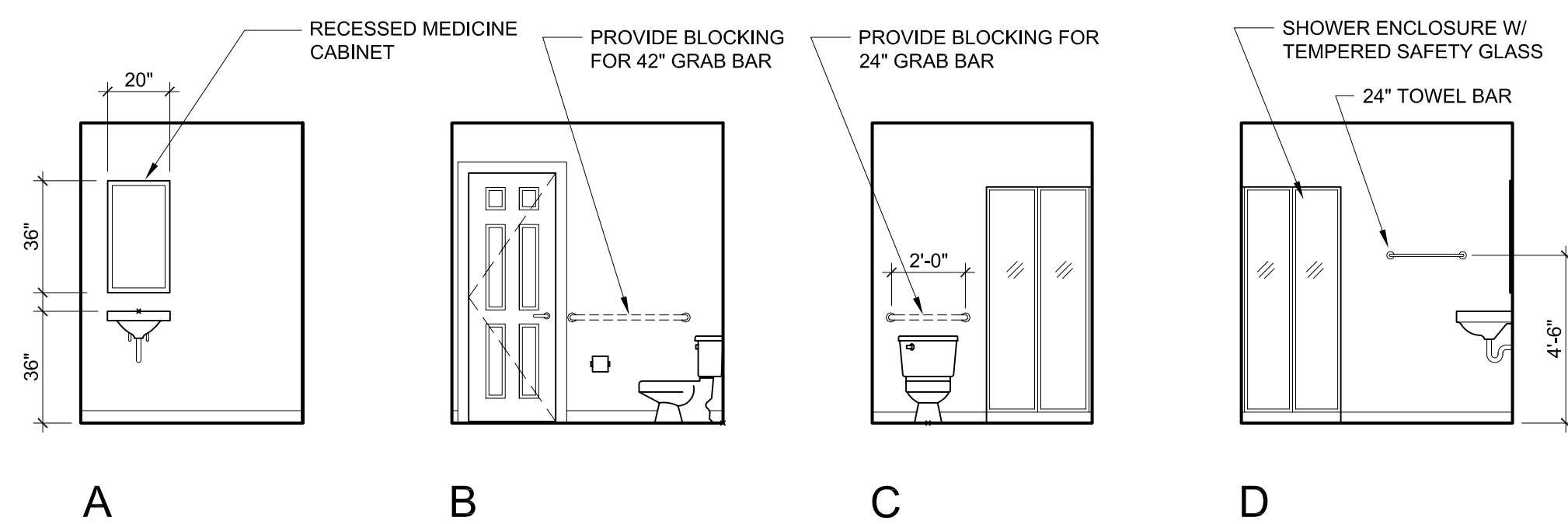
1 BATHROOM ELEVATIONS
1/4" = 1'-0"



2 1ST FLOOR KITCHEN ELEVATIONS
1/4" = 1'-0"



3 2ND FLOOR KITCHEN ELEVATIONS
1/4" = 1'-0"



4 3RD FLOOR BATHROOM ELEVATIONS
1/4" = 1'-0"

X