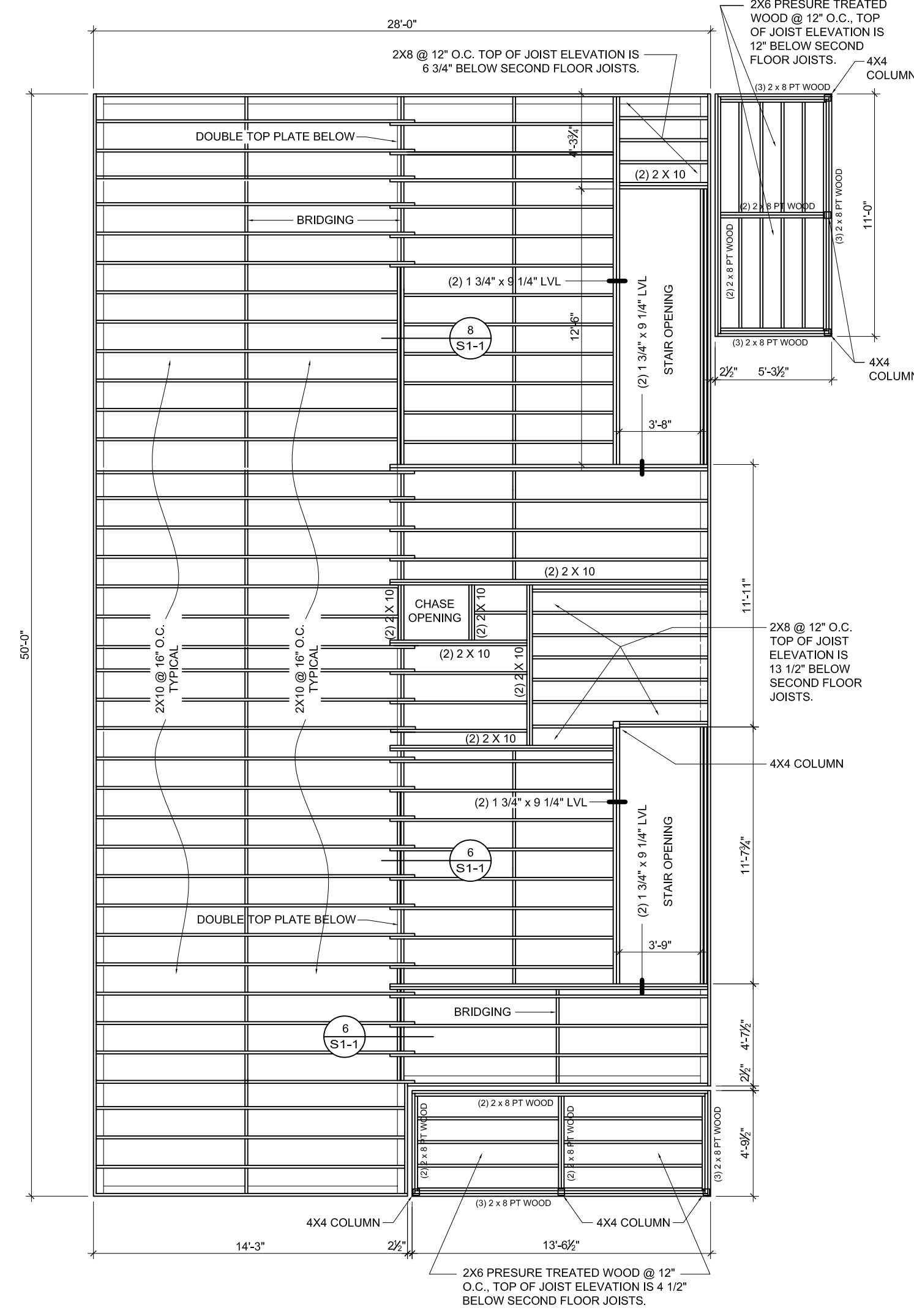
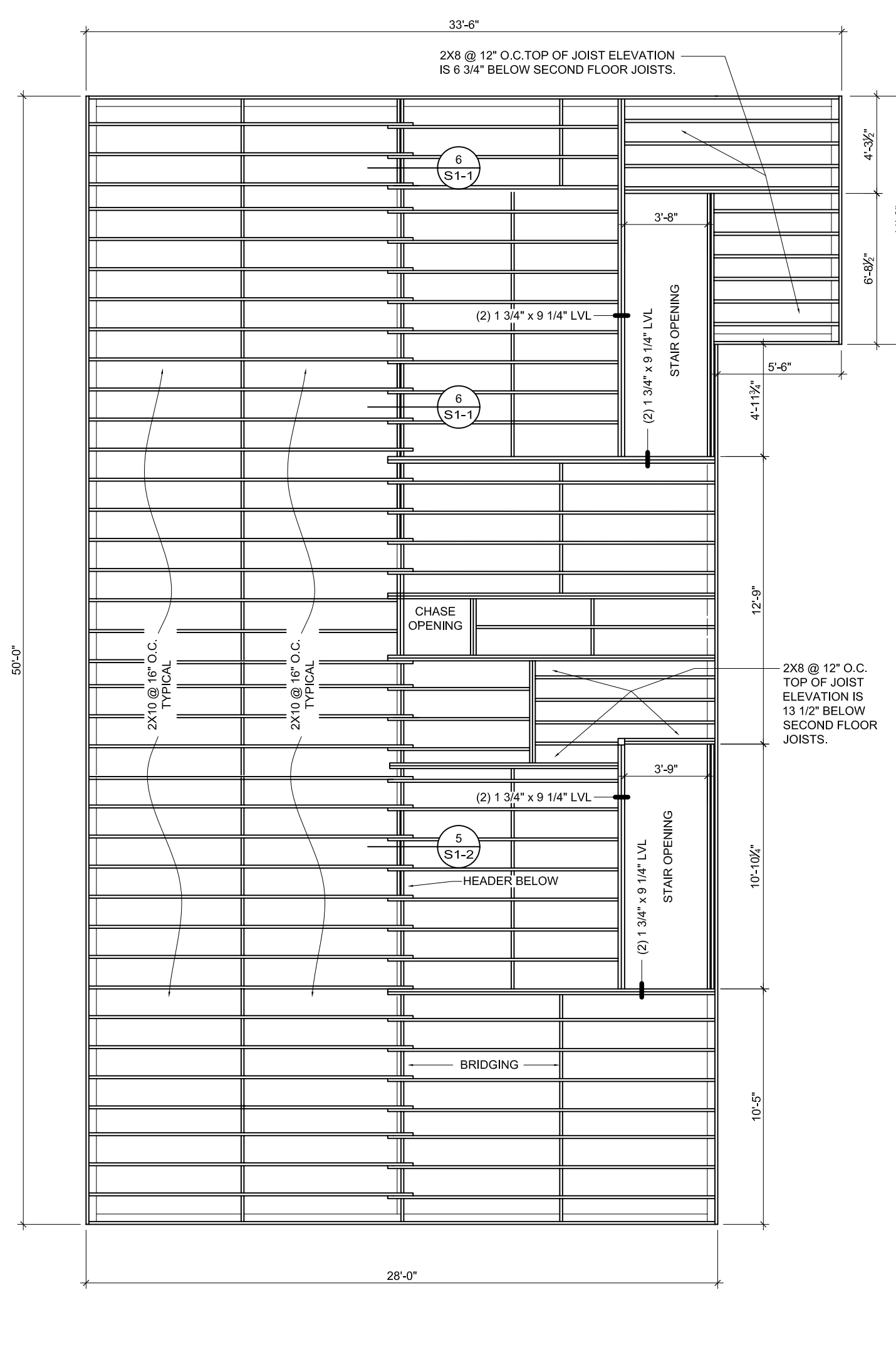


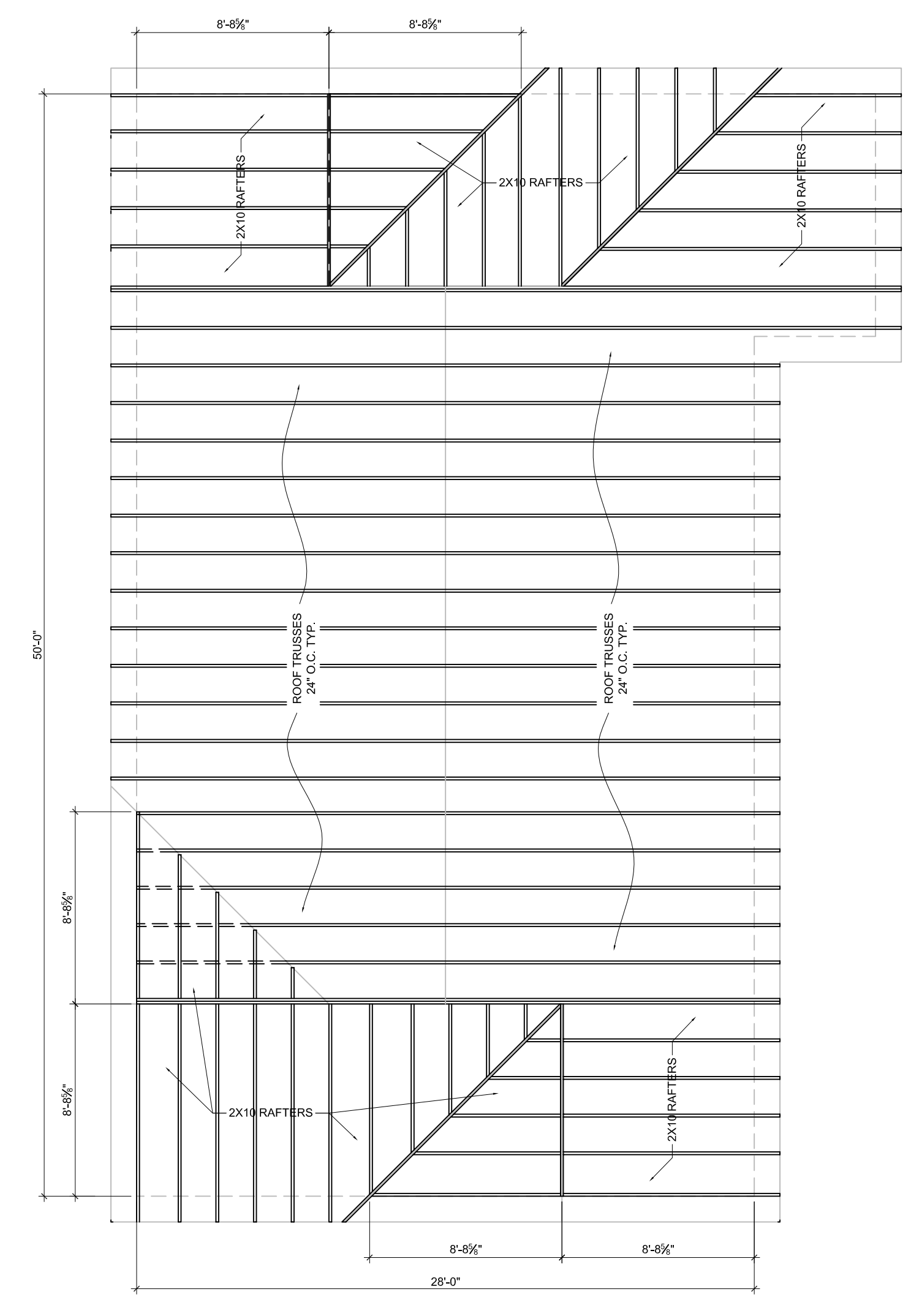
1 FIRST FLOOR FRAMING PLAN  
S1-1 3/16" = 1'-0"



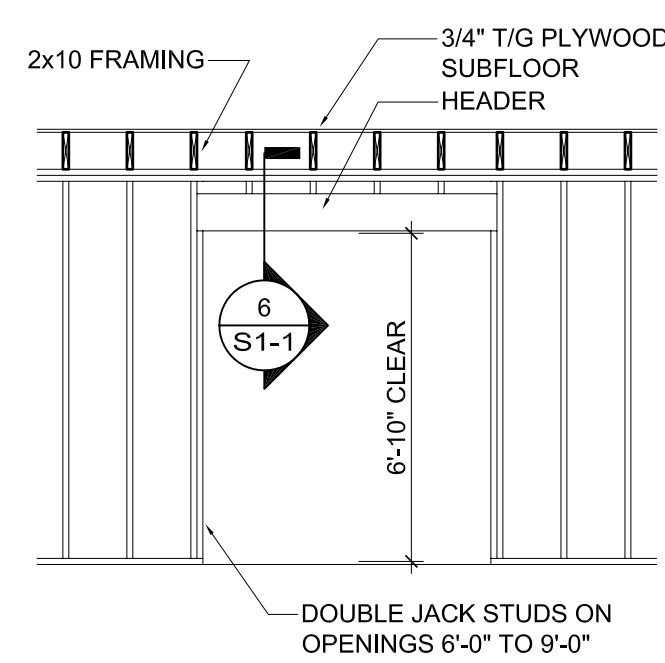
2 SECOND FLOOR FRAMING PLAN  
S1-1 3/16" = 1'-0"



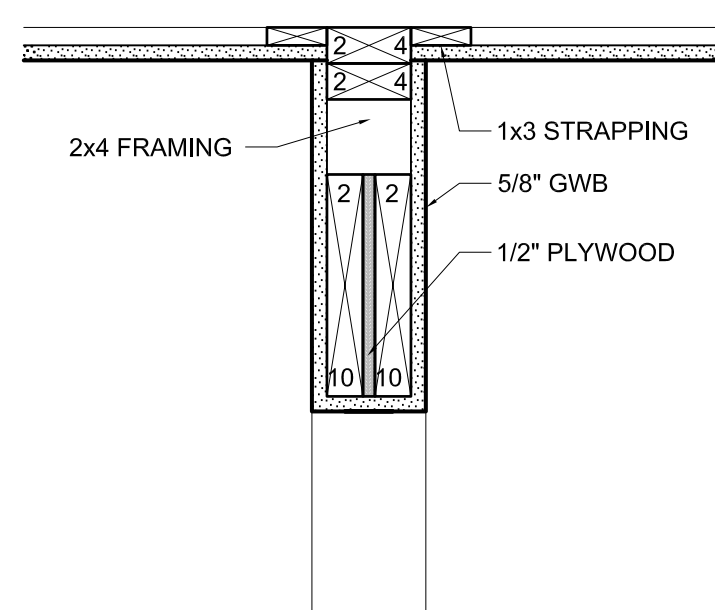
3 THIRD FLOOR FRAMING PLAN  
S1-1 3/16" = 1'-0"



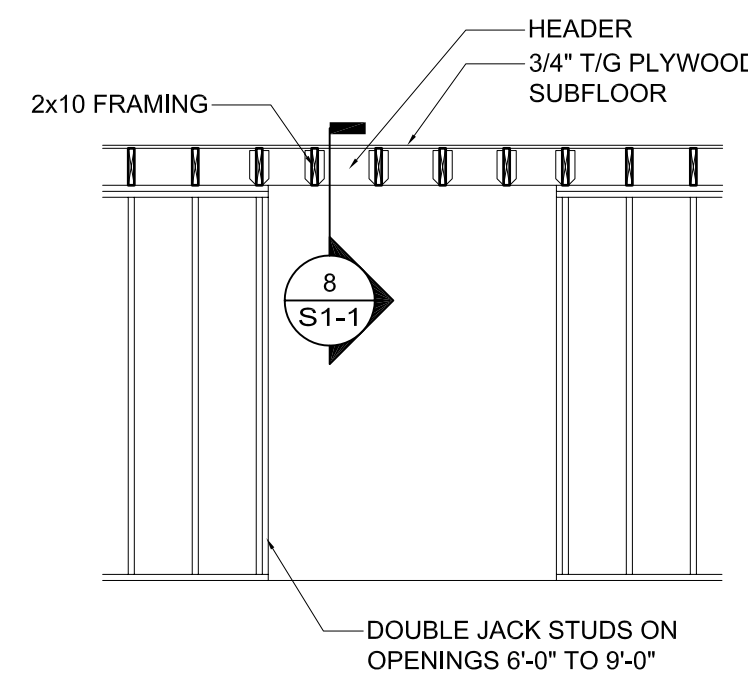
4 ROOF FRAMING PLAN  
S1-1 3/16" = 1'-0"



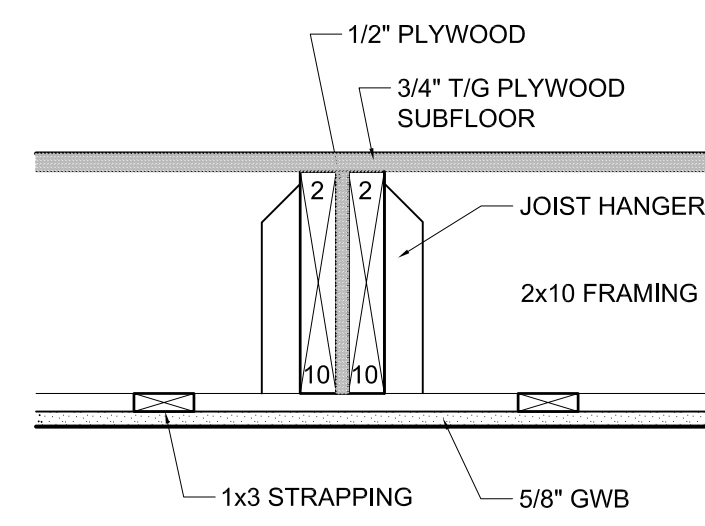
5 FRAMING DETAIL  
S1-1 1/4" = 1'-0"



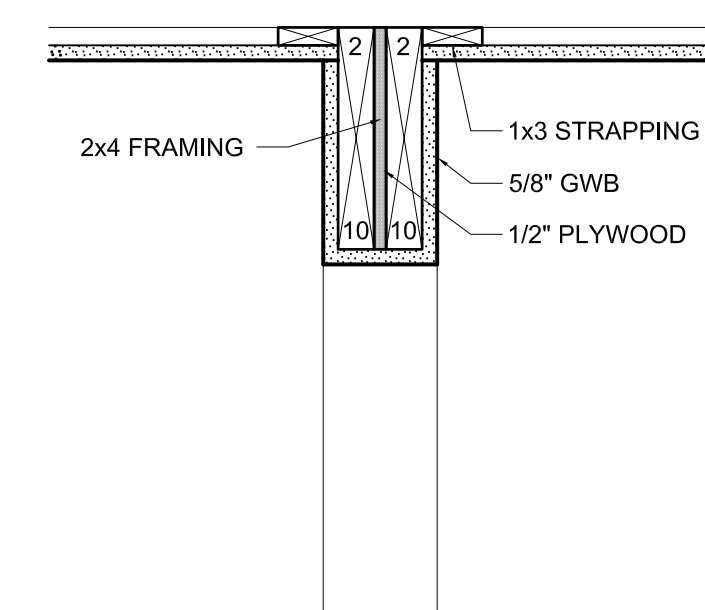
6 SOFFIT DETAIL  
S1-1 1/12" = 1'-0"



7 FRAMING DETAIL  
S1-1 1/4" = 1'-0"



8 TRANSFER BEAM DETAIL  
S1-1 1/12" = 1'-0"



9 TRANSFER BEAM DETAIL  
S1-1 1/12" = 1'-0"