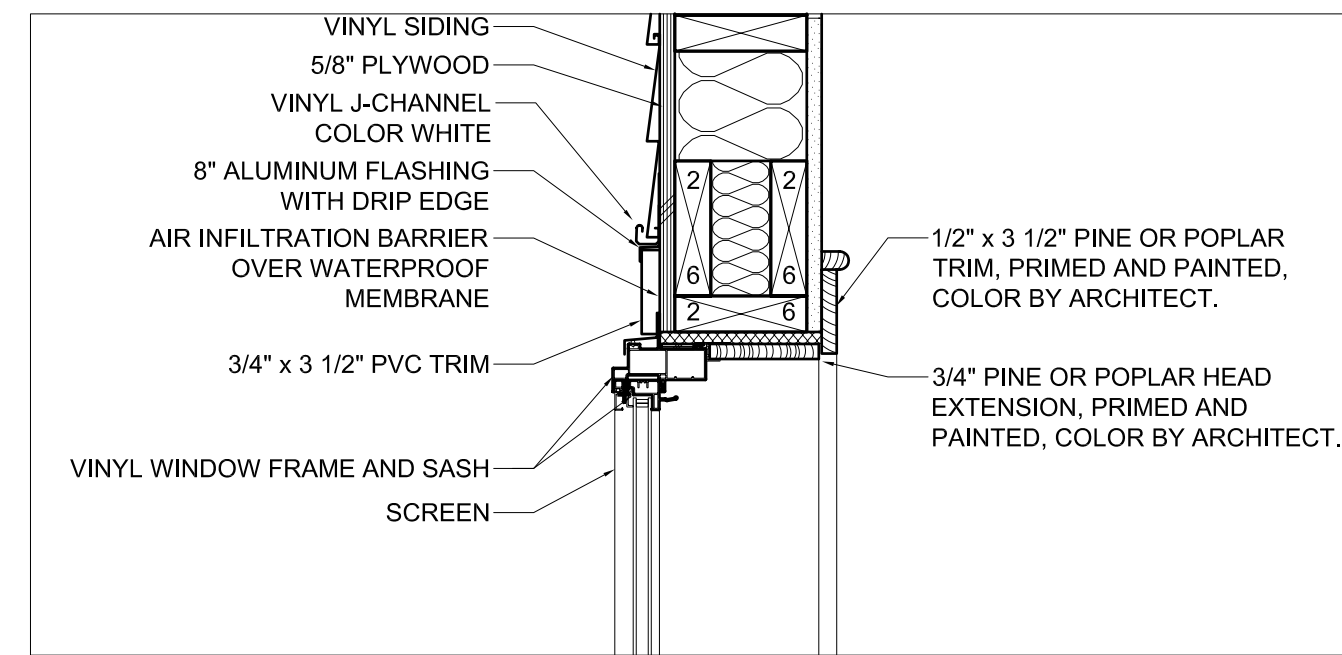
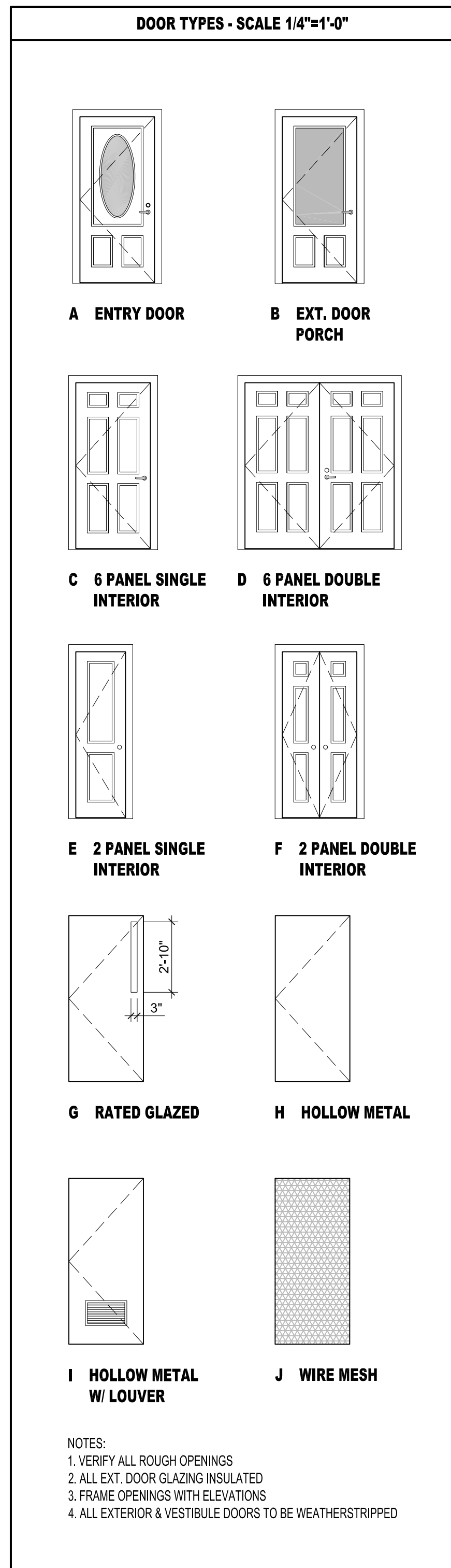
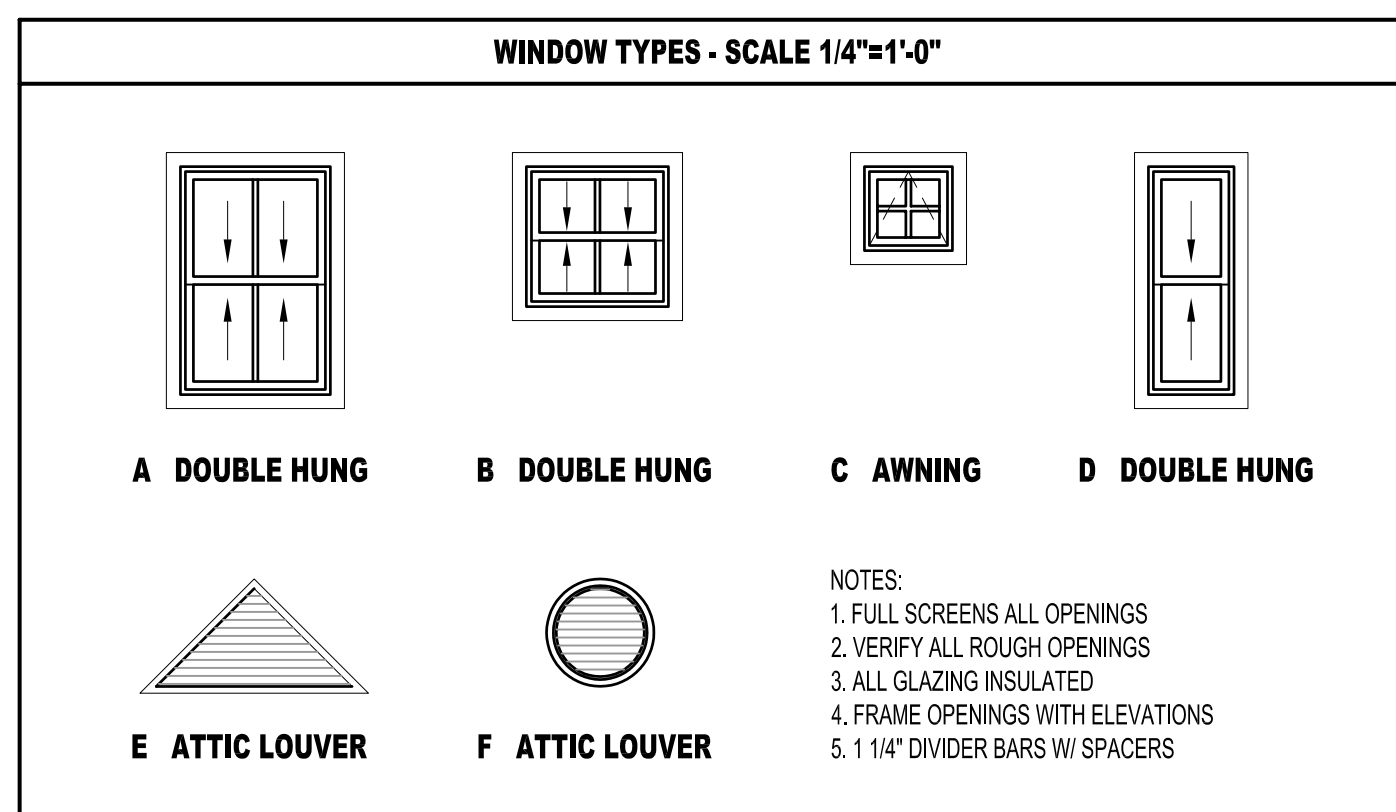
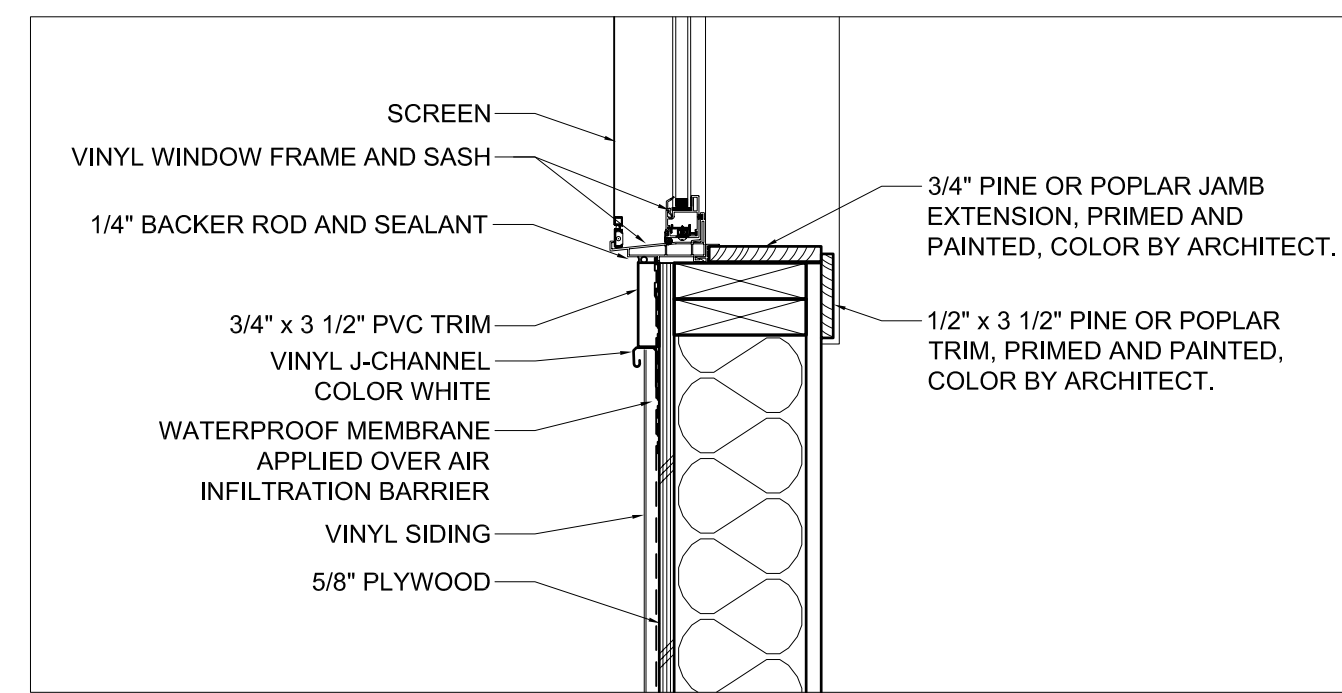


DOOR SCHEDULE																	
DOOR NO.	TYPE	SIZE			FRAME				GENERAL								
		WIDTH	HEIGHT	THICKNESS	MATERIAL	FINISH	INSULATED	TYPE	THRESHOLD	DETAILS	CLOSERS	PRE FINISHING	HARDWARE	REMARKS			
FIRST FLOOR																	
01	A	3'-0"	6'-8"	1-3/4"	WD/GL	PTD.	Y	-	WD	AL	-	-	-	Y	-	LS	ACCESSIBLE THRESHOLD
02	A	3'-0"	6'-8"	1-3/4"	WD/GL	PTD.	Y	-	WD	AL	-	-	-	Y	-	LS	ACCESSIBLE THRESHOLD
03	A	3'-0"	6'-8"	1-3/4"	WD/GL	PTD.	Y	-	WD	AL	-	-	-	Y	-	LS	ACCESSIBLE THRESHOLD
04	A	3'-0"	6'-8"	1-3/4"	WD/GL	PTD.	Y	-	WD	AL	-	-	-	Y	-	LS	ACCESSIBLE THRESHOLD
05	C	3'-0"	6'-8"	1-3/4"	WD	PTD.	N	-	WD	WD	-	-	-	Y	C	LS	ACCESSIBLE THRESHOLD
06	C	3'-0"	6'-8"	1-3/4"	WD	PTD.	N	-	WD	WD	-	-	-	Y	C	LS	ACCESSIBLE THRESHOLD
07																	NOT USED
08	C	2'-8"	6'-8"	1-3/4"	WD	PTD.	N	-	WD	-	-	-	-	-	-	LP	
09	C	3'-0"	6'-8"	1-3/4"	WD	PTD.	N	-	WD	-	-	-	-	-	-	PR	
10	D	3'-8"	6'-8"	1-3/4"	WD	PTD.	N	-	WD	-	-	-	-	-	-	LP	DOUBLE DOOR
11	D	3'-8"	6'-8"	1-3/4"	WD	PTD.	N	-	WD	-	-	-	-	-	-	LP	DOUBLE DOOR
12	D	5'-0"	6'-8"	1-3/4"	WD	PTD.	N	-	WD	VIN	-	-	-	-	-	LP	DOUBLE DOOR
13	C	3'-0"	6'-8"	1-3/4"	WD	PTD.	N	-	WD	-	-	-	-	-	-	PR	
14	C	3'-0"	6'-8"	1-3/4"	WD	PTD.	N	-	WD	-	-	-	-	-	-	PR	
15	C	3'-0"	6'-8"	1-3/4"	WD	PTD.	N	-	WD	VIN	-	-	-	-	-	PR	
16	D	4'-0"	6'-8"	1-3/4"	WD	PTD.	N	-	WD	-	-	-	-	-	-	LP	DOUBLE DOOR
SECOND FLOOR																	
17	B	3'-0"	6'-8"	1-3/4"	WD/GL	PTD.	Y	-	WD	AL	-	-	-	-	-	LS	
18	C	2'-4"	6'-8"	1-3/4"	WD	PTD.	N	-	WD	VIN	-	-	-	-	-	PR	
19																	NOT USED
20	D	4'-0"	6'-8"	1-3/4"	WD	PTD.	N	-	WD	-	-	-	-	-	-	LP	DOUBLE DOOR
21	C	2'-4"	6'-8"	1-3/4"	WD	PTD.	N	-	WD	VIN	-	-	-	-	-	PR	
22	E	2'-0"	6'-8"	1-3/4"	WD	PTD.	N	-	WD	-	-	-	-	-	-	LP	
23																	NOT USED
24	B	2'-8"	6'-8"	1-3/4"	WD/GL	PTD.	Y	-	WD	AL	-	-	-	-	-	LS	
THIRD FLOOR																	
25	C	2'-8"	6'-8"	1-3/4"	WD	PTD.	N	-	WD	-	-	-	-	-	-	PR	
26	C	2'-8"	6'-8"	1-3/4"	WD	PTD.	N	-	WD	-	-	-	-	-	-	PR	
27	D	4'-0"	6'-8"	1-3/4"	WD	PTD.	N	-	WD	-	-	-	-	-	-	LP	DOUBLE DOOR
28	D	4'-0"	6'-8"	1-3/4"	WD	PTD.	N	-	WD	-	-	-	-	-	-	LP	DOUBLE DOOR
29	F	4'-8"	6'-8"	1-3/4"	WD	PTD.	N	-	WD	VIN	-	-	-	-	-	LP	DOUBLE DOOR
30	C	2'-8"	6'-8"	1-3/4"	WD	PTD.	N	-	WD	-	-	-	-	-	-	PR	
31	D	5'-0"	6'-8"	1-3/4"	WD	PTD.	N	-	WD	-	-	-	-	-	-	LP	DOUBLE DOOR
32	C	2'-4"	6'-8"	1-3/4"	WD	PTD.	N	-	WD	VIN	-	-	-	-	-	PR	
33	C	2'-8"	6'-8"	1-3/4"	WD	PTD.	N	-	WD	-	-	-	-	-	-	PR	
34	C	2'-8"	6'-8"	1-3/4"	WD	PTD.	N	-	WD	-	-	-	-	-	-	LP	
35	C	2'-8"	6'-8"	1-3/4"	WD	PTD.	N	-	WD	-	-	-	-	-	-	PR	
36	D	5'-0"	6'-8"	1-3/4"	WD	PTD.	N	-	WD	-	-	-	-	-	-	LP	DOUBLE DOOR
37	D	5'-0"	6'-8"	1-3/4"	WD	PTD.	N	-	WD	-	-	-	-	-	-	LP	DOUBLE DOOR
38	C	2'-8"	6'-8"	1-3/4"	WD	PTD.	N	-	WD	VIN	-	-	-	-	-	PR	
39	C	2'-4"	6'-8"	1-3/4"	WD	PTD.	N	-	WD	VIN	-	-	-	-	-	PR	
40	F	4'-8"	6'-8"	1-3/4"	WD	PTD.	N	-	WD	VIN	-	-	-	-	-	LP	DOUBLE DOOR
41	C	2'-8"	6'-8"	1-3/4"	WD	PTD.	N	-	WD	-	-	-	-	-	-	LP	
BASEMENT																	
42	G	3'-0"	6'-8"	1-3/4"	STL	PTD.	N	-	STL	-	-	-	-	Y	C	LS	
43	H	3'-0"	6'-8"	1-3/4"	STL	PTD.	N	-	STL	-	-	-	-	-	-	LS	
44	J	2'-10"	6'-8"	1"	M	PTD.	N	-	STL	-	-	-	-	-	-	LS	WIRE MESH SYSTEM
45	J	2'-10"	6'-8"	1"	M	PTD.	N	-	STL	-	-	-	-	-	-	LS	WIRE MESH SYSTEM
46	J	2'-10"	6'-8"	1"	M	PTD.	N	-	STL	-	-	-	-	-	-	LS	WIRE MESH SYSTEM
47	J	2'-10"	6'-8"	1"	M	PTD.	N	-	STL	-	-	-	-	-	-	LS	WIRE MESH SYSTEM
48	J	2'-10"	6'-8"	1"	M	PTD.	N	-	STL	-	-	-	-	-	-	LS	WIRE MESH SYSTEM
49	H	2'-10"	6'-8"	1-3/4"	STL	PTD.	N	-	STL	-	-	-	-	-	-	LS	
50	I	3'-0"	6'-8"	1-3/4"	STL	PTD.	N	-	STL	-	-	-	-	Y	-	LS	

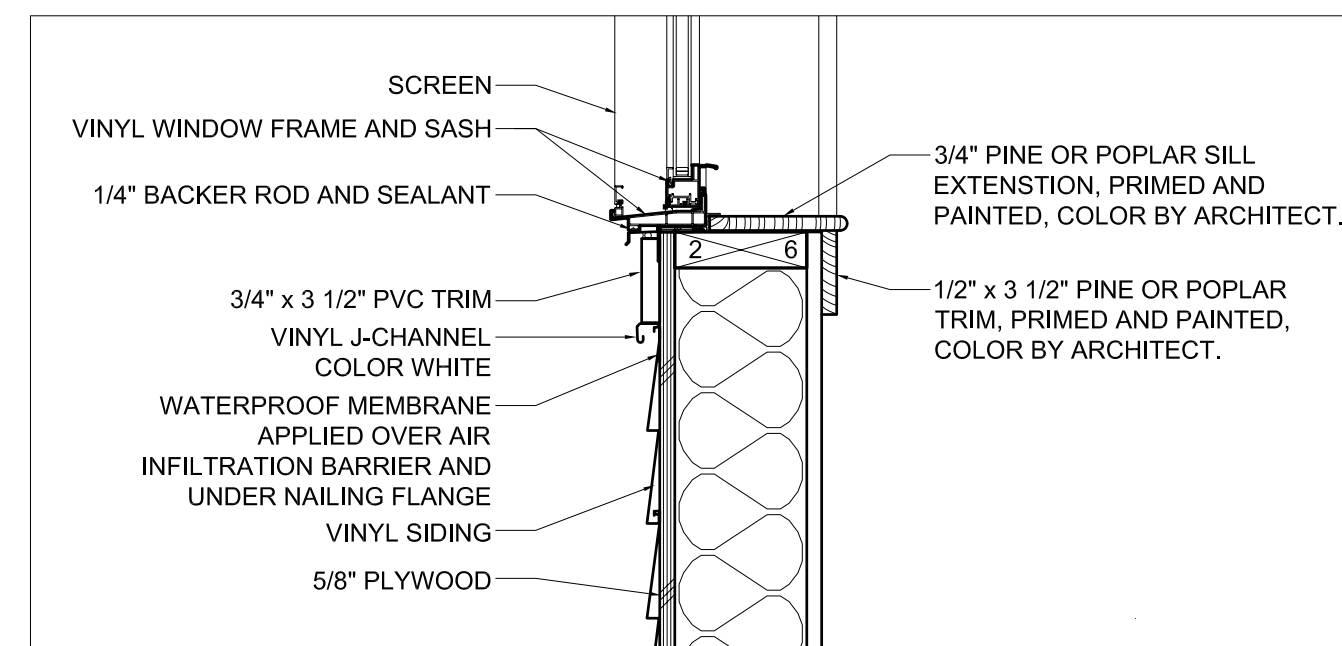
WINDOW SCHEDULE									
KEY	ACTION	ROUGH OPENING (WxH) VIF	HEAD HEIGHT	DETAILS				REMARKS	
				HEAD	JAMB	SILL	FINISH		
A	DH	3'-3" X 5'-0"	7'-0"	-	-	-	VINYL WHITE	EGRESS IN BEDROOMS, EXT JAMBS	
B	DH	3'-3" X 3'-3"	7'-0"	-	-	-	VINYL WHITE	EXT JAMBS	
C	AW	1'-11" X 1'-11"	V.I.F.	-	-	-	VINYL WHITE	EXT JAMBS, FROSTED GLAS IN BATHROOM FOR HEAD HEIGHTS SEE FLOOR PLANS AND ELEVATIONS	
D	DH	1'-11" X 5'-0"	7'-0"	-	-	-	VINYL WHITE	EXT. JAMBS	
E	LV	5'-3 1/2" X 2'-8"	V.I.F.	-	-	-	WOOD	BROSO GL 12112 - ATTIC LOUVER WITH INSECT/BIROD SCREEN, SEE ELEV.	
F	RD	27 3/4" DIA	11'-8"	-	-	-	VINYL WHITE	ATTIC LOUVER WITH INSECT/BIROD SCREEN, SEE ELEVATIONS HEAD HEIGHT AFF THIRD FLOOR	



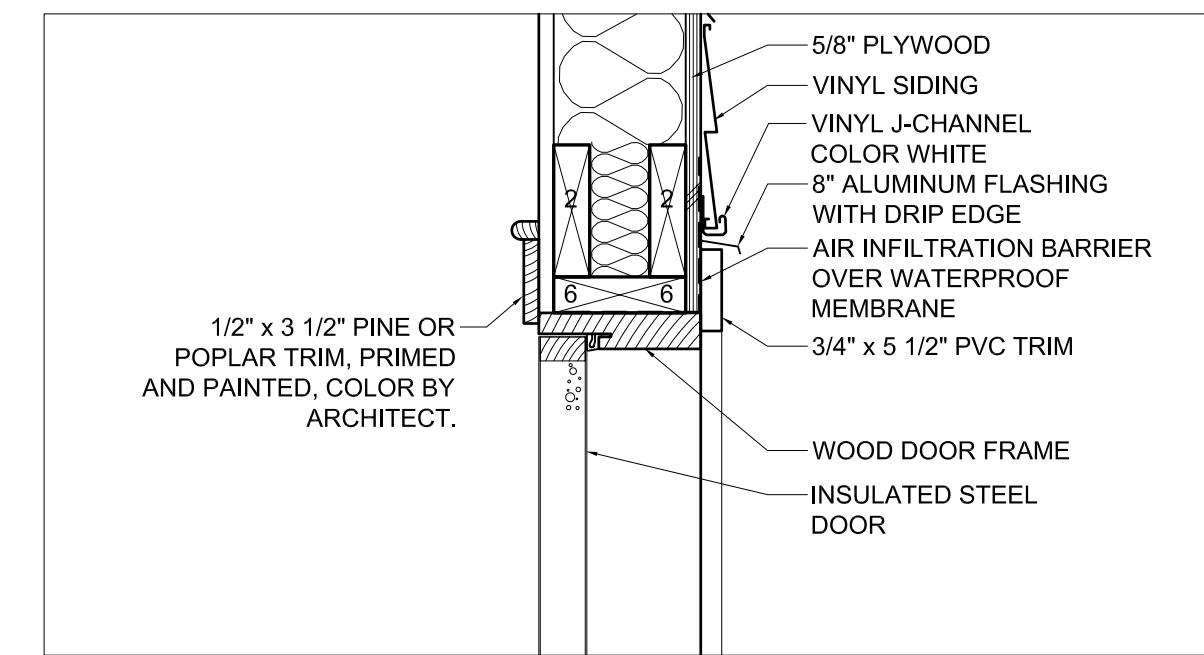
1 WINDOW HEAD
 A4-2 1 1/2" = 1'-0"



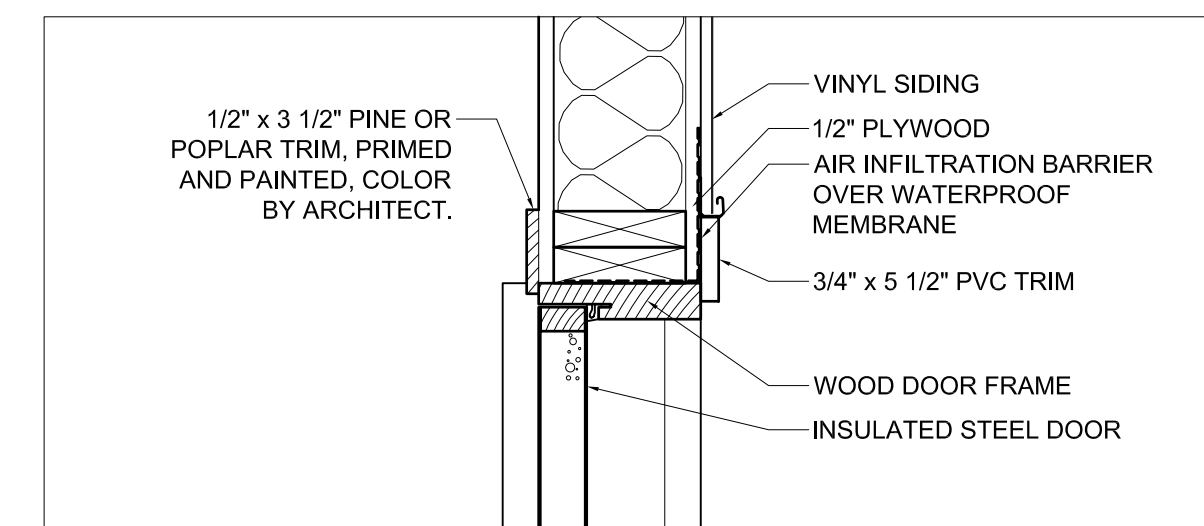
2 WINDOW JAMB
 A4-2 1 1/2" = 1'-0"



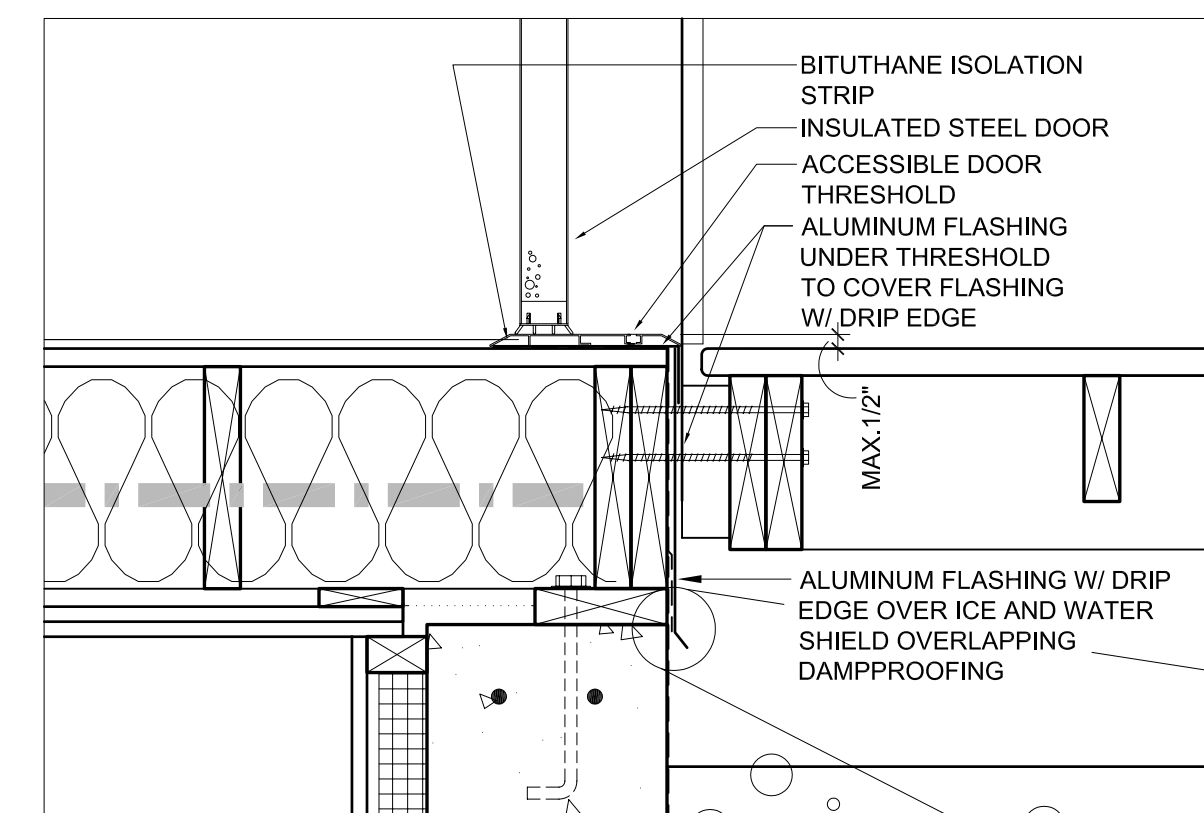
3 WINDOW SILL
 A4-2 1 1/2" = 1'-0"



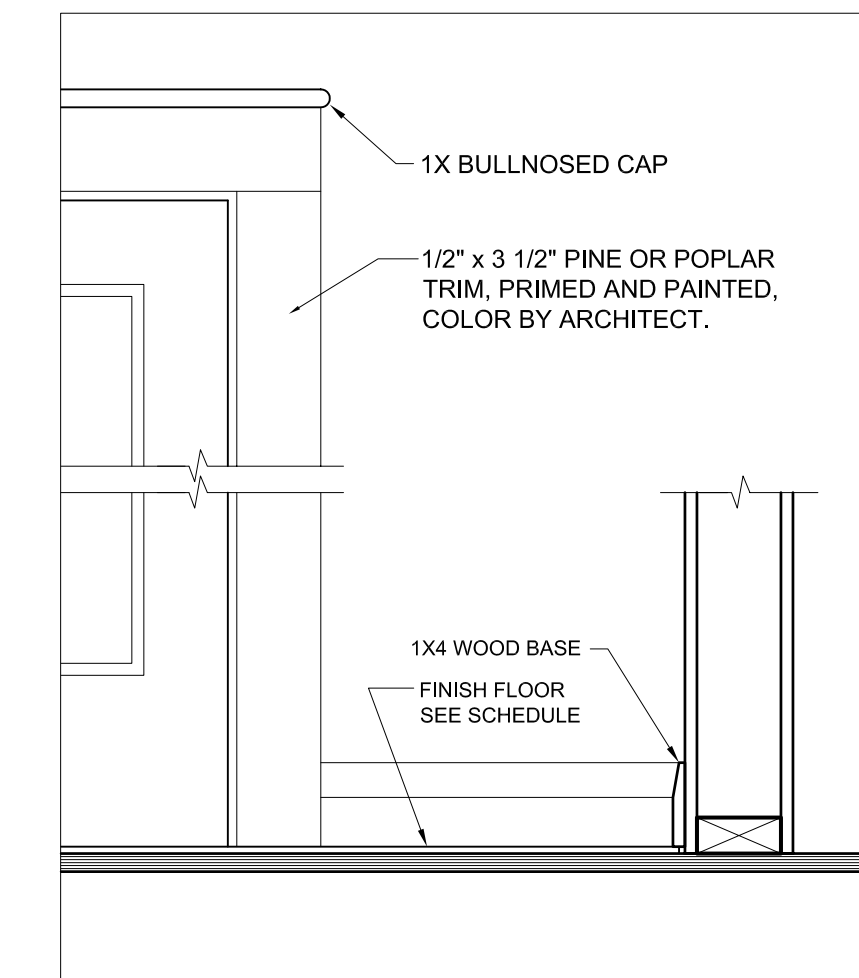
4 DOOR HEAD
 A4-2 1 1/2" = 1'-0"



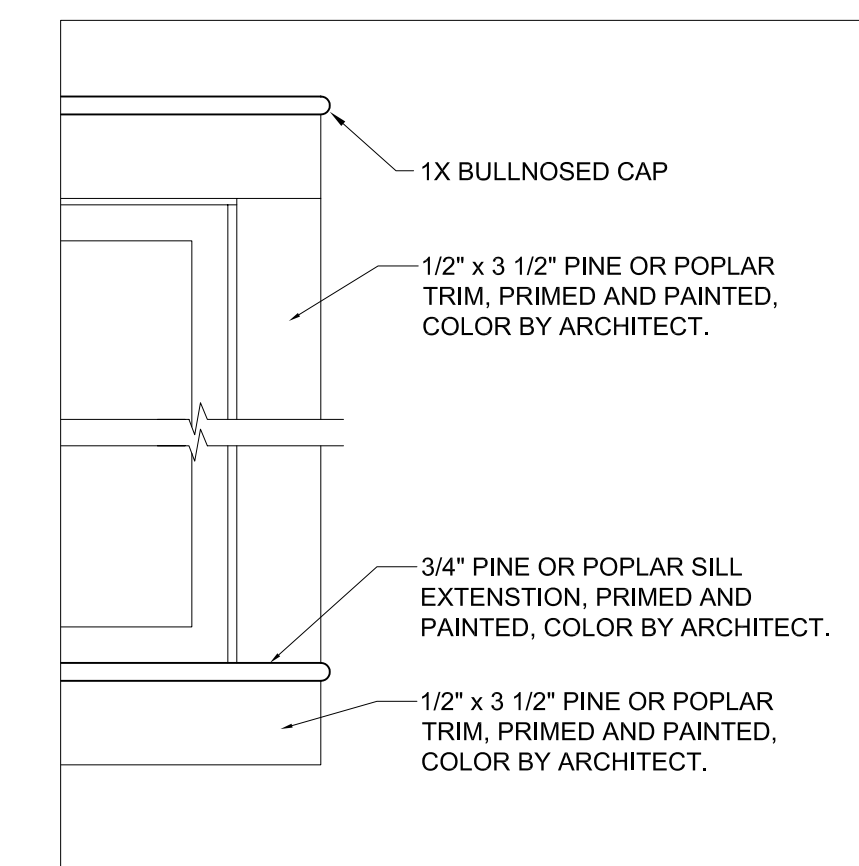
5 DOOR JAMB
 A4-2 1 1/2" = 1'-0"



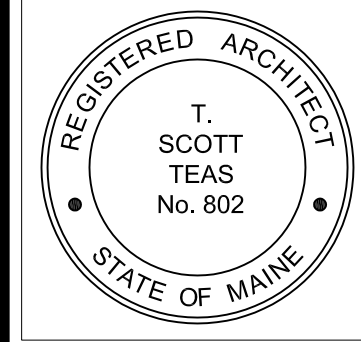
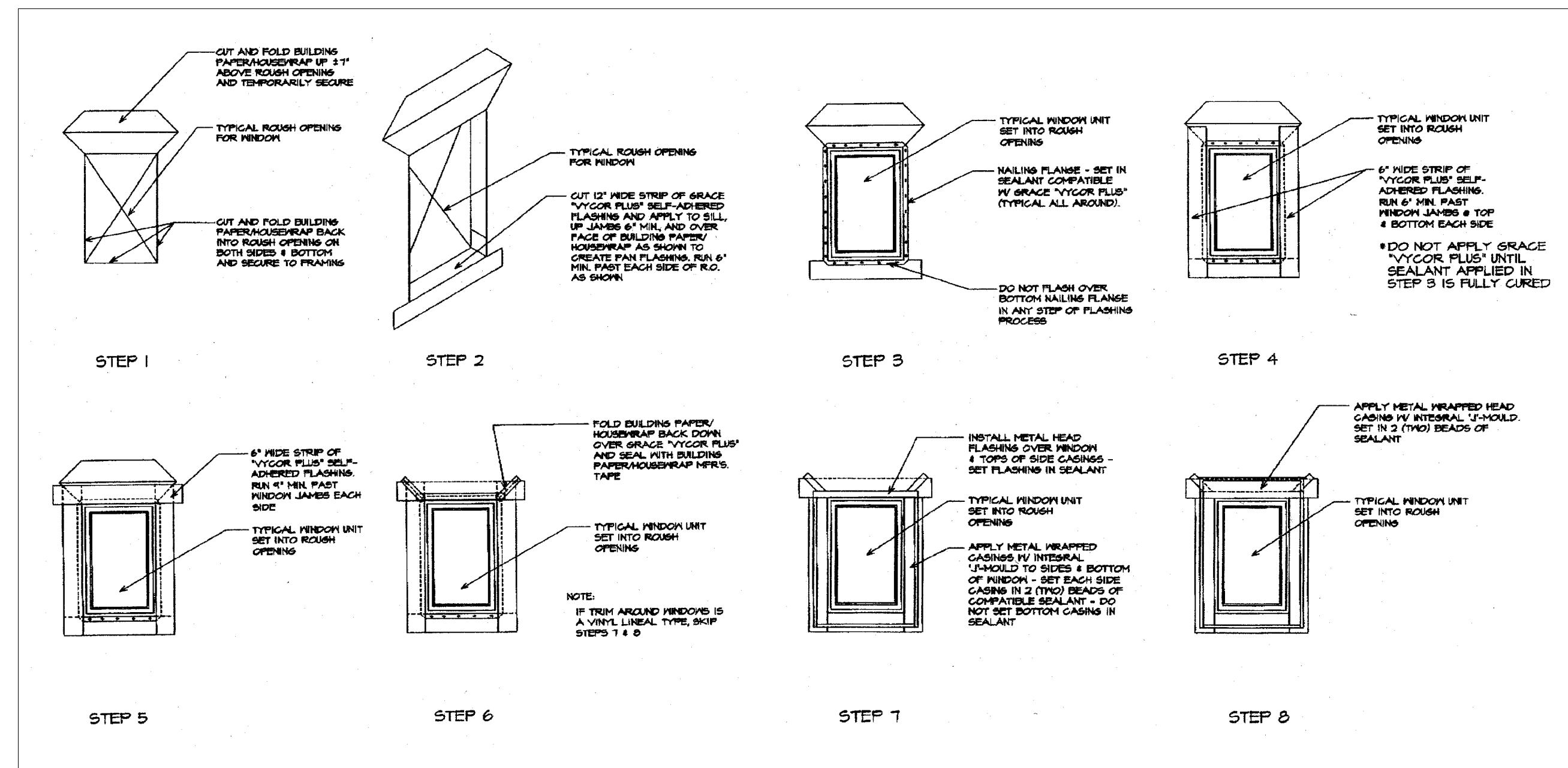
6 DOOR SILL
 A4-2 1 1/2" = 1'-0"



7 BASE BOARD / INT. DOOR TRIM
 A4-2 1 1/2" = 1'-0"



8 INT. WINDOW TRIM
 A4-2 1 1/2" = 1'-0"



© 2005 TFH ARCHITECTS



ANDERSON STREET - BUILDING 2
PEOPLE'S REGIONAL OPPORTUNITY PROGRAM
PORTLAND, MAINE

TFH ARCHITECTS
 100 COMMERCIAL STREET
 PORTLAND MAINE 04101
 TELEPHONE 207 775 6141
 ARCHITECTURE PLANNING

CONSULTANTS:

CIVIL
 Fitcham & Greer
 170 US Route One
 Falmouth, ME 04105
 207-781-0242

STRUCTURAL
 Structural Design Consulting
 Five Balm Lane
 Falmouth, ME 04105-2448
 207-878-8038

MECHANICAL
 Watling Engineering
 10 Dunforth Place
 Portland, ME 04102
 207-833-2921

ELECTRICAL
 Bennett Engineering
 7 Bannet Road
 Freeport, ME 04032
 207-862-9475

REVISIONS:

DATE: 01/14/05

PROJECT No. 0406

DRAWN BY: SA

CHECKED BY: DAM

SCALE: AS NOTED

SHEET TITLE:
DOOR AND WINDOW SCHEDULE

A4.2