



32'-7" +/-

VIF

25'-0" +/-

EXIST. 2 x 9 3/4 JOISTS @ 16" o.c.

EXIST. 8x8 BEAM

EXIST. MASONRY

EXIST. MASONRY

EXIST. MASONRY

EXIST. 8x8 BEAM

USE SIMPSON JOIST HANGER HHUS410

2x10 BRACING

6'-0" +/-

EXIST. MASONRY

EXIST. MASONRY

SIMPSON COLUMN CAP

NEW 4x4 POST ABOVE BEAM

3 1/2 x 9 1/2 LVL

ATTACH NEW LVL TO EXIST 8x8 BM w/ 3/4" DIA. LAG SCREWS @ 1'-0" o.c. STAGGERED

EXIST. MASONRY

NEW 4x4 POST TO LAND ON EXIST. FDN FOR MASONRY CHIMNEY. CONTR. TO VERIFY IN FIELD. USE SIMPSON AB44, ANCHOR w/ HIT HY 150 (OR EQUIV.) & 1/2" DIA. THEADED ROD, MIN. EMBED INTO EXIST. CONC. FDN=4 1/4". SOLIDLY PACK NON-SHRINK GROUT UNDER STAND-OFF PLATE.

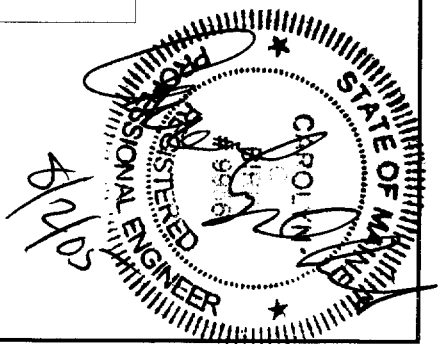
9'-6" +/- VIF

9'-5" +/- VIF

15'-0" +/-

FIRST FLOOR FRAMING PLAN

SCALE: 1/4"=1'-0"



424 Fore Street  
Portland, ME 04101  
Phone 207.842.2800  
Fax 207.842.2828  
www.cascobayengineering.com

CLIENT:

**DONNA STONE**

32 ANDERSON STREET  
PORTLAND, ME 04101

**STONE APARTMENTS**  
PORTLAND MAINE

REVISIONS

No.	DATE	ISSUE
0	8-2-05	FOR CONSTRUCTION

SHEET TITLE:

**FIRST FLOOR FRAMING PLAN**

DESIGNED: BT/CB

DRAWN: BT

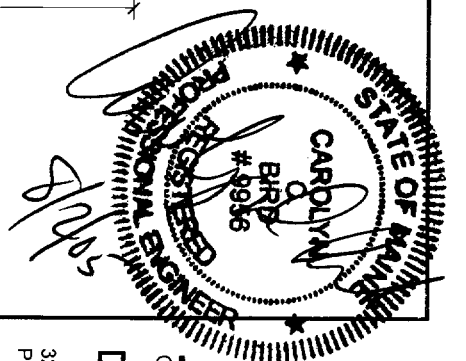
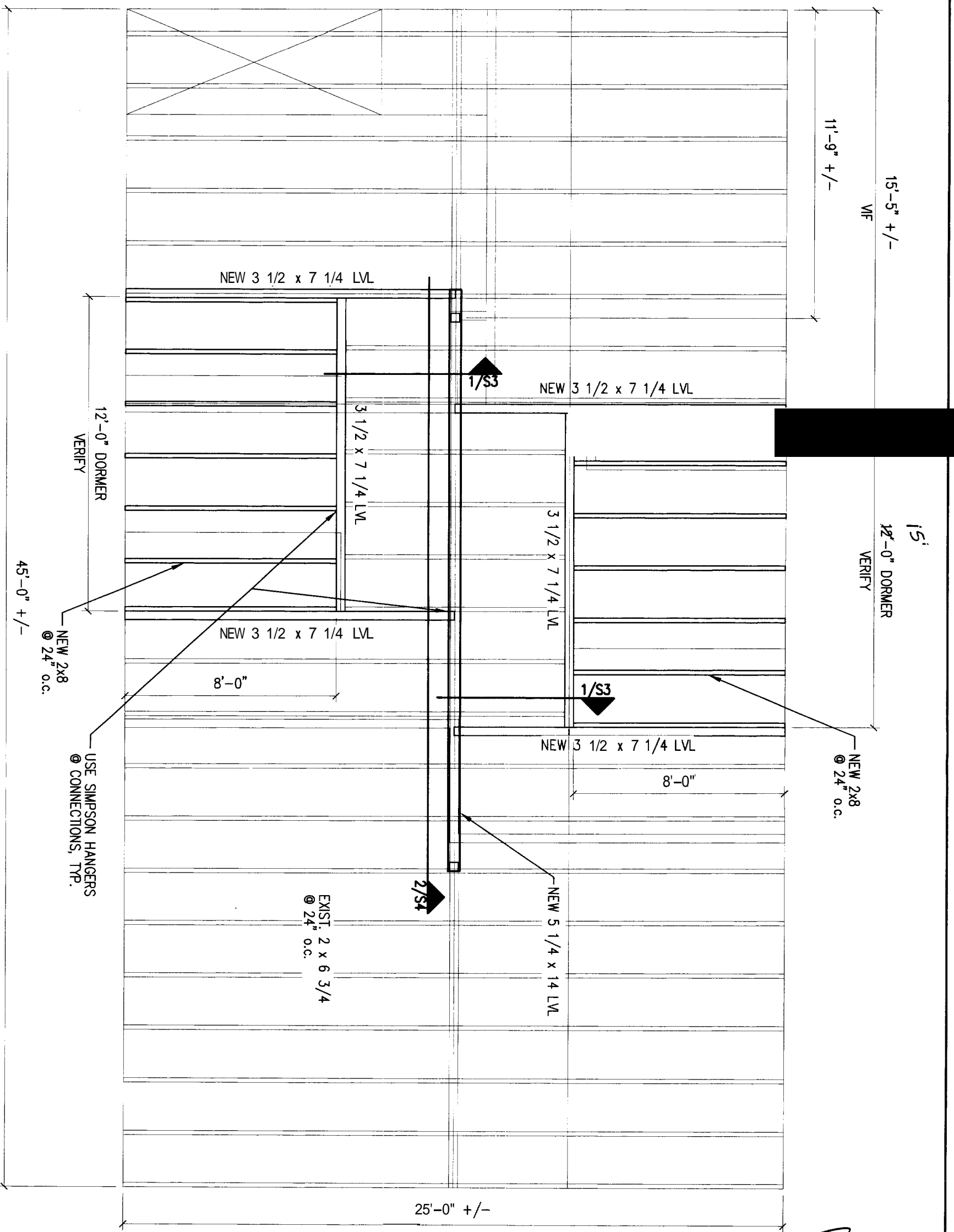
DATE: 8-2-05

CADD FILE: I\X17-5043

PROJECT No: 5043

**S1**

**ROOF FRAMING PLAN**



424 Fore Street  
 Portland, ME 04101  
 Phone 207.842.2800  
 Fax 207.842.2828  
 www.cascobayengineering.com

CLIENT:  
**DONNA STONE**  
 32 ANDERSON STREET  
 PORTLAND, ME 04101

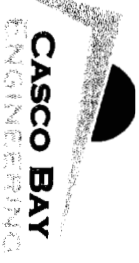
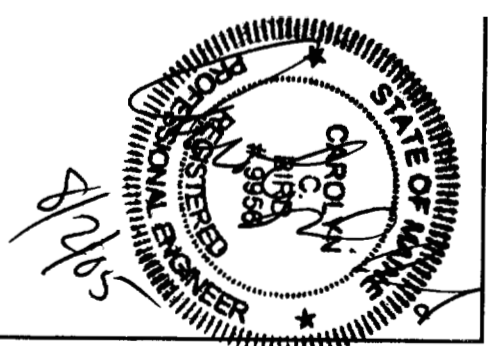
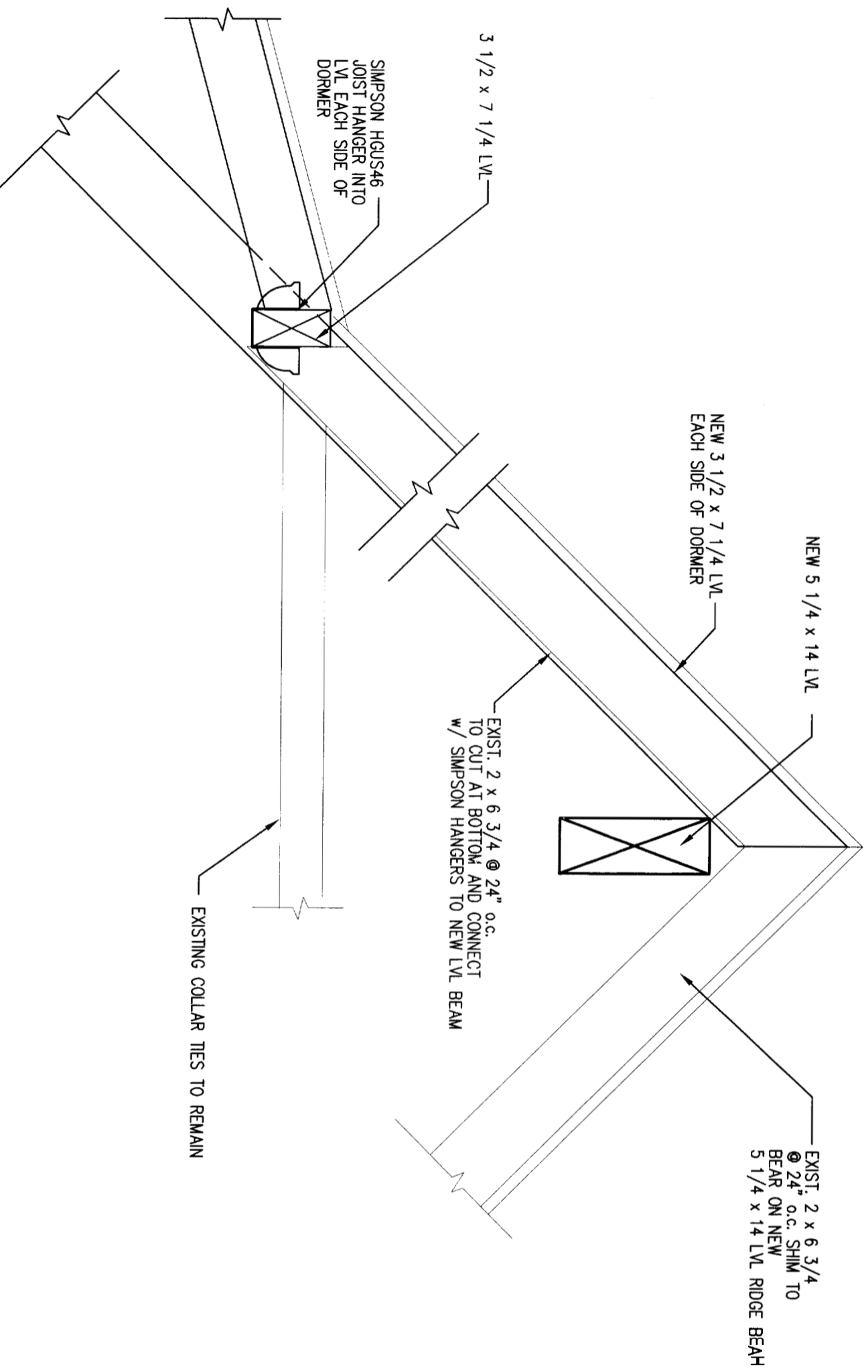
**STONE APARTMENTS**  
 PORTLAND MAINE

REVISIONS		
No.	DATE	ISSUE
0	8-2-05	FOR CONSTRUCTION

SHEET TITLE:  
**ROOF FRAMING PLAN**  
 DESIGNED: BT/CB  
 DRAWN: BT  
 DATE: 8-2-05  
 CADD FILE: IX17-5043  
 PROJECT No: 5043

SCALE: 1/4"=1'-0"

**S2**



424 Fore Street  
 Portland, ME 04101  
 Phone 207.842.2800  
 Fax 207.842.2828  
 www.cascobayengineering.com

CLIENT:  
**DONNA STONE**  
 32 ANDERSON STREET  
 PORTLAND, ME 04101

**STONE APARTMENTS**  
 PORTLAND MAINE

REVISIONS

No.	DATE	ISSUE
0	8-2-05	FOR CONSTRUCTION

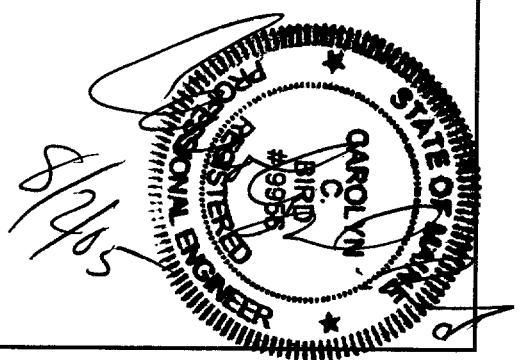
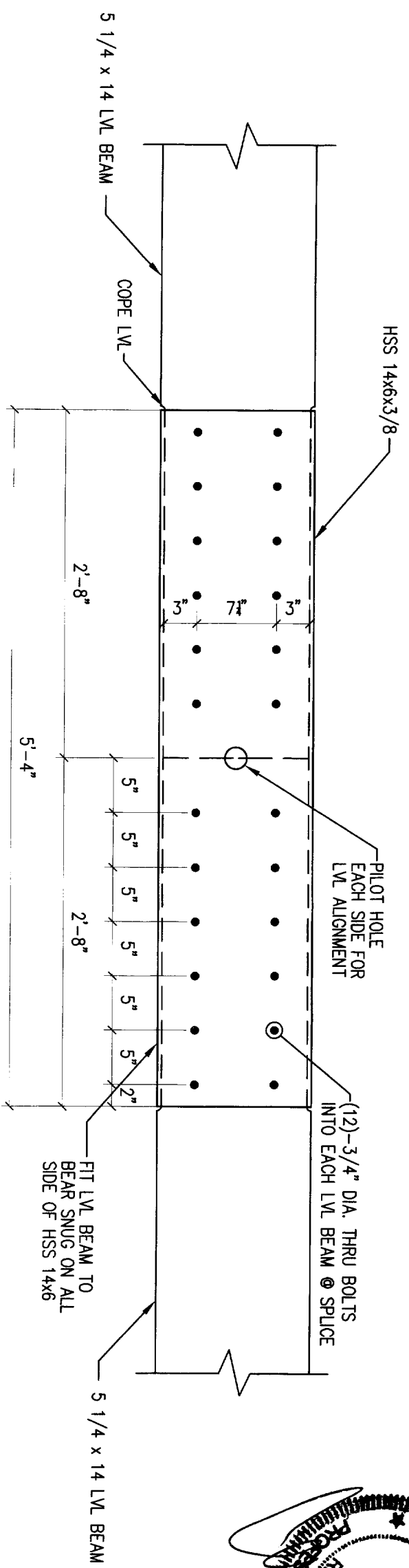
SHEET TITLE:  
**SECTION/  
 ELEVATION**

DESIGNED: BT/CB  
 DRAWN: BT  
 DATE: 8-2-05  
 CADD FILE: IIX17-5043  
 PROJECT No: 5043

**SECTION / ELEVATION**

SCALE: 1"=1'-0" 1

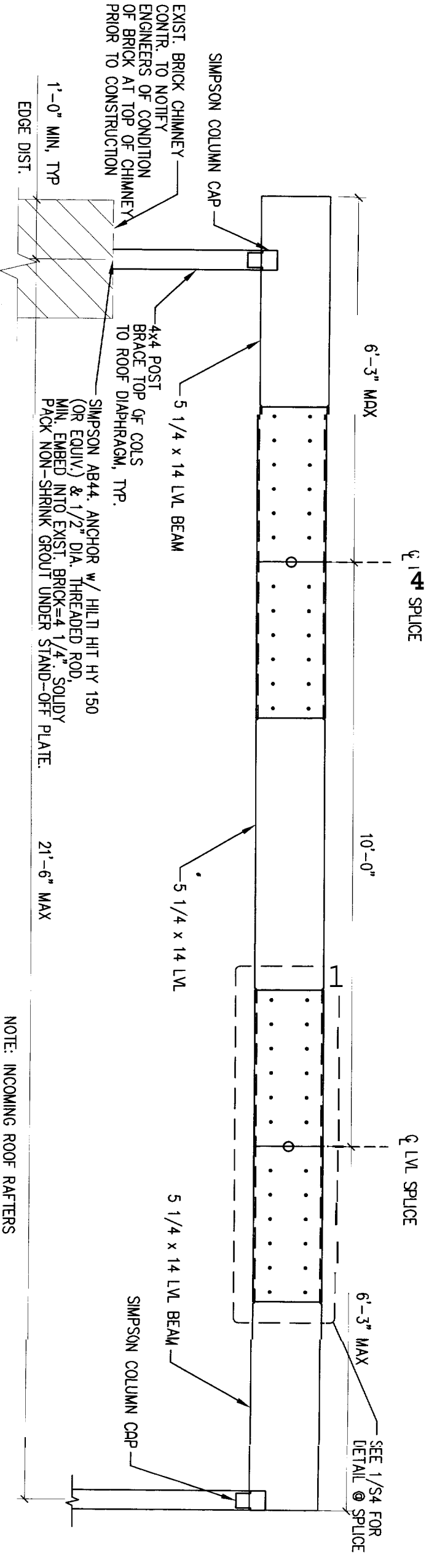
**S3**



SECTION

SCALE: 1"=1'-0"

1

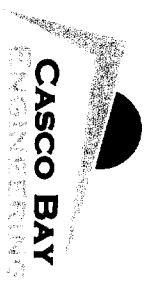


NOTE: INCOMING ROOF RAFTERS NOT SHOWN FOR CLARITY

SECTION / ELEVATION

SCALE: 1/8"=1'-0"

2



424 Fore Street  
Portland, ME 04101  
Phone 207.842.2800  
Fax 207.842.2828  
www.cascobayengineering.com

CLIENT:  
**DONNA STONE**  
32 ANDERSON STREET  
PORTLAND, ME 04101

**STONE APARTMENTS**  
PORTLAND MAINE

REVISIONS		
No.	DATE	ISSUE
0	8-2-05	FOR CONSTRUCTION

SHEET TITLE:  
**SECTION**

DESIGNED: BT/CB  
DRAWN: BT  
DATE: 8-2-05  
CADD FILE: IIX17-5043  
PROJECT No: 5043

**S4**