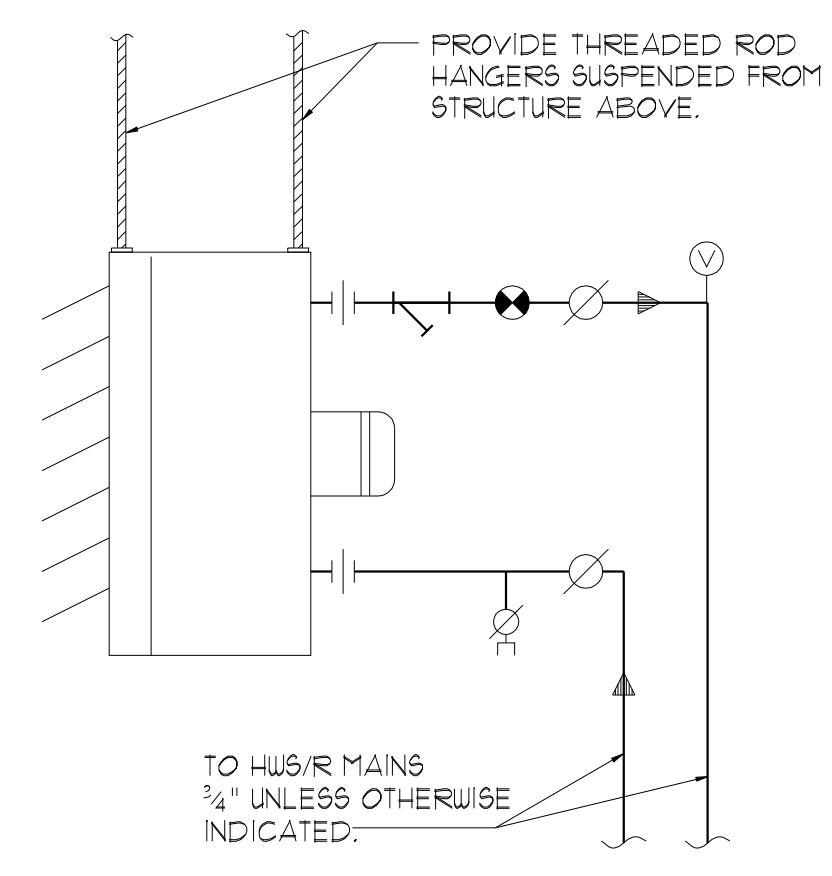


REVISIONS:

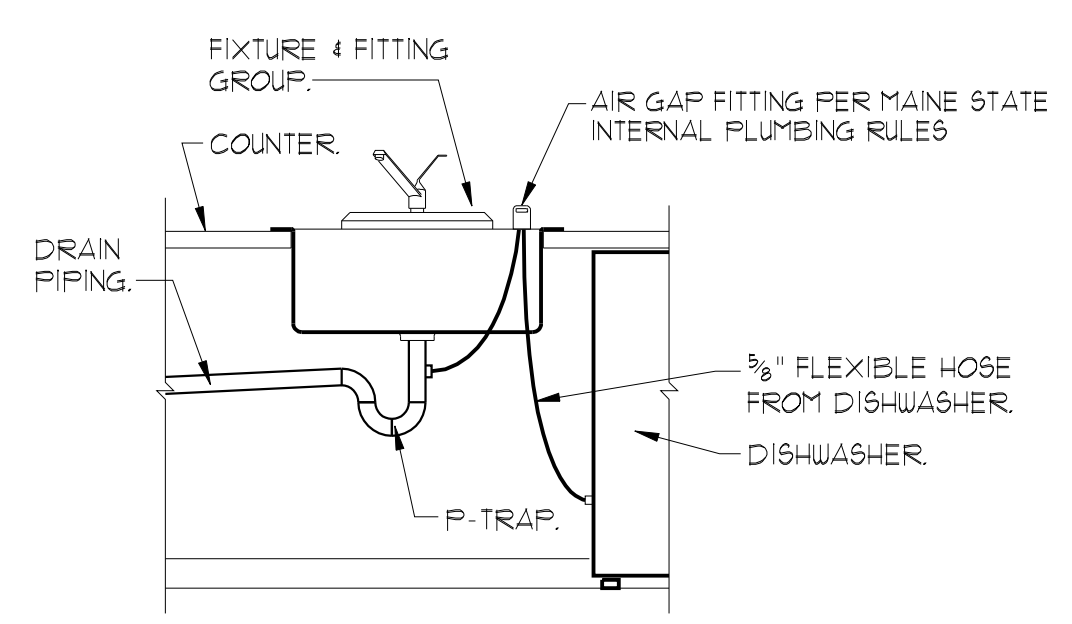
DATE:	MAY 18, 2007
PROJECT No.	0514
DRAWN BY:	JMV
CHECKED BY:	SPDoel
SCALE:	AS NOTED

SHEET TITLE:
MECHANICAL DETAILS

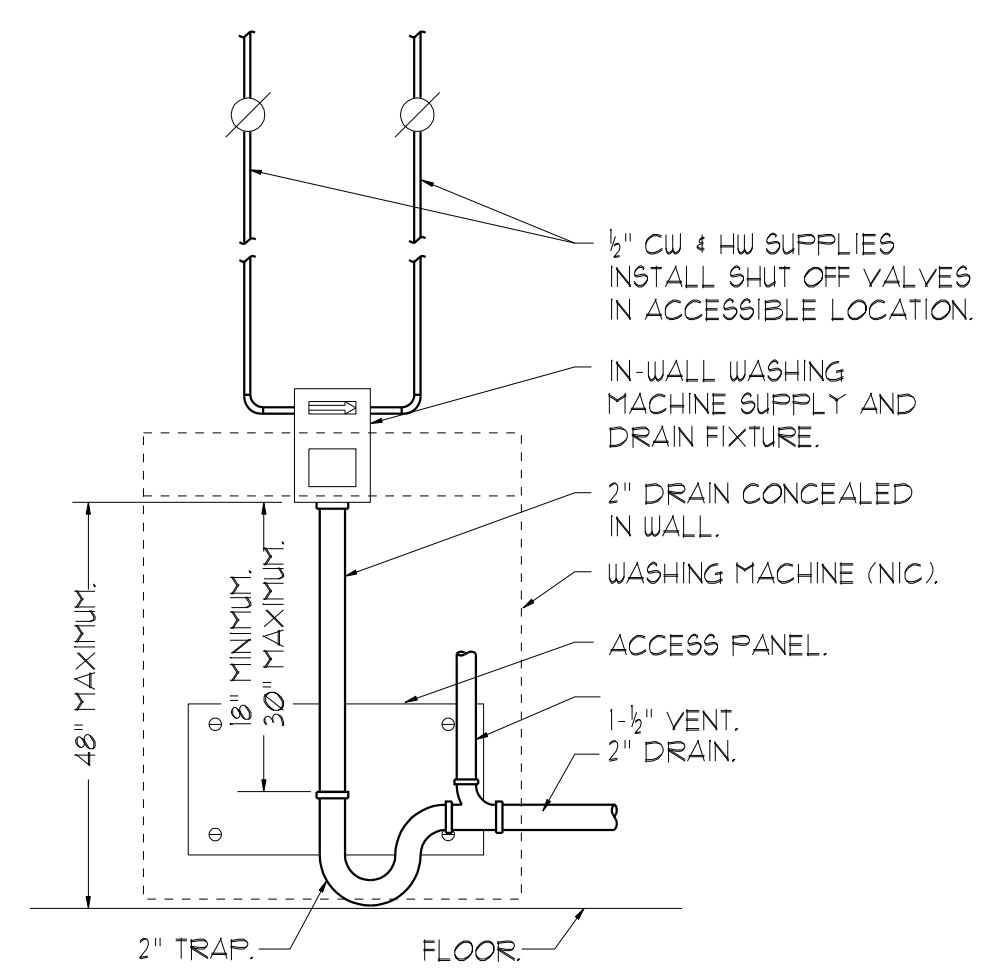
M3.5



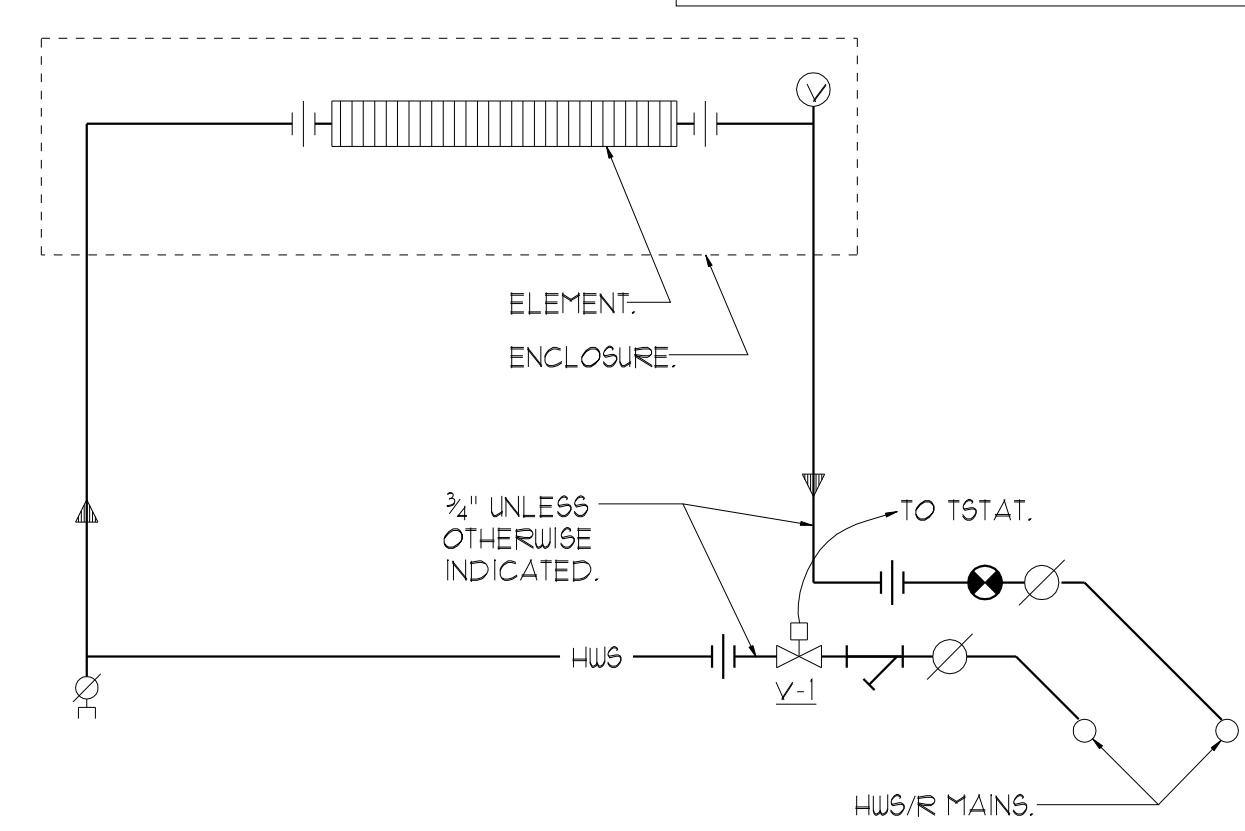
HORIZONTAL UNIT HEATER PIPING DETAIL
 NTS



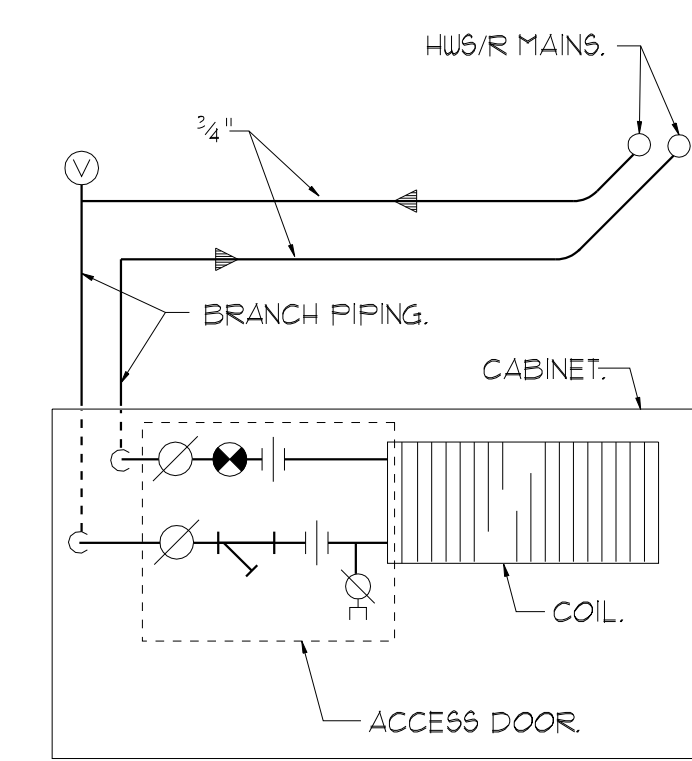
DISHWASHER DRAIN DETAIL
 NTS



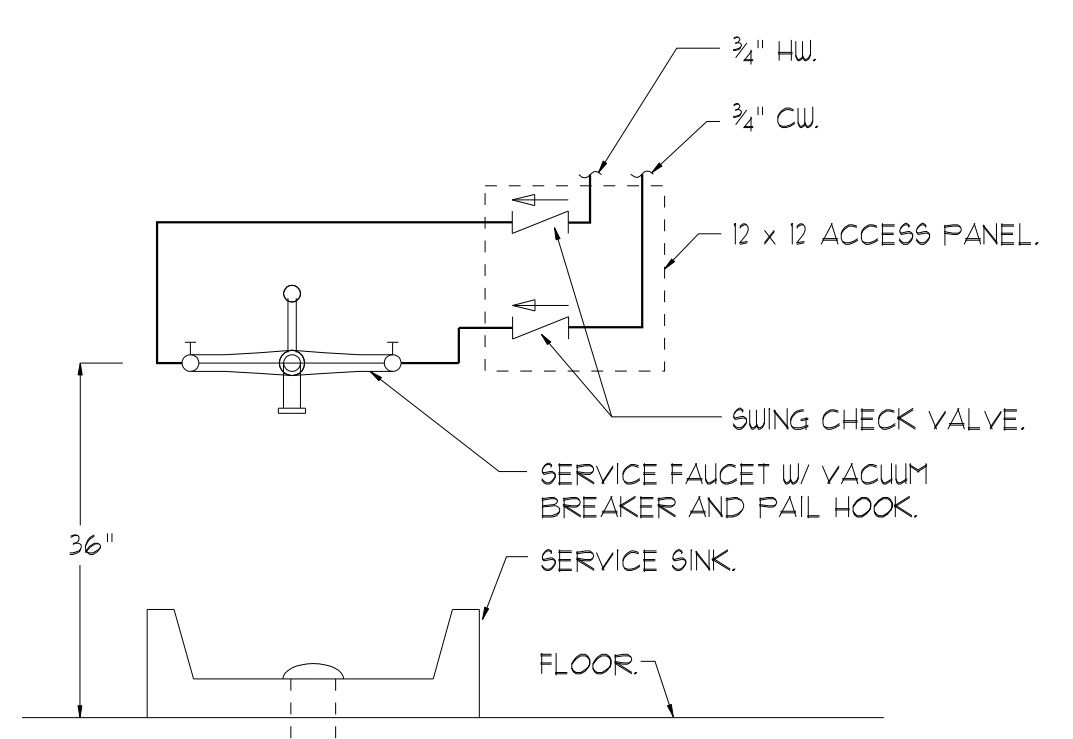
WASHING MACHINE HOOK-UP DETAIL
 NTS



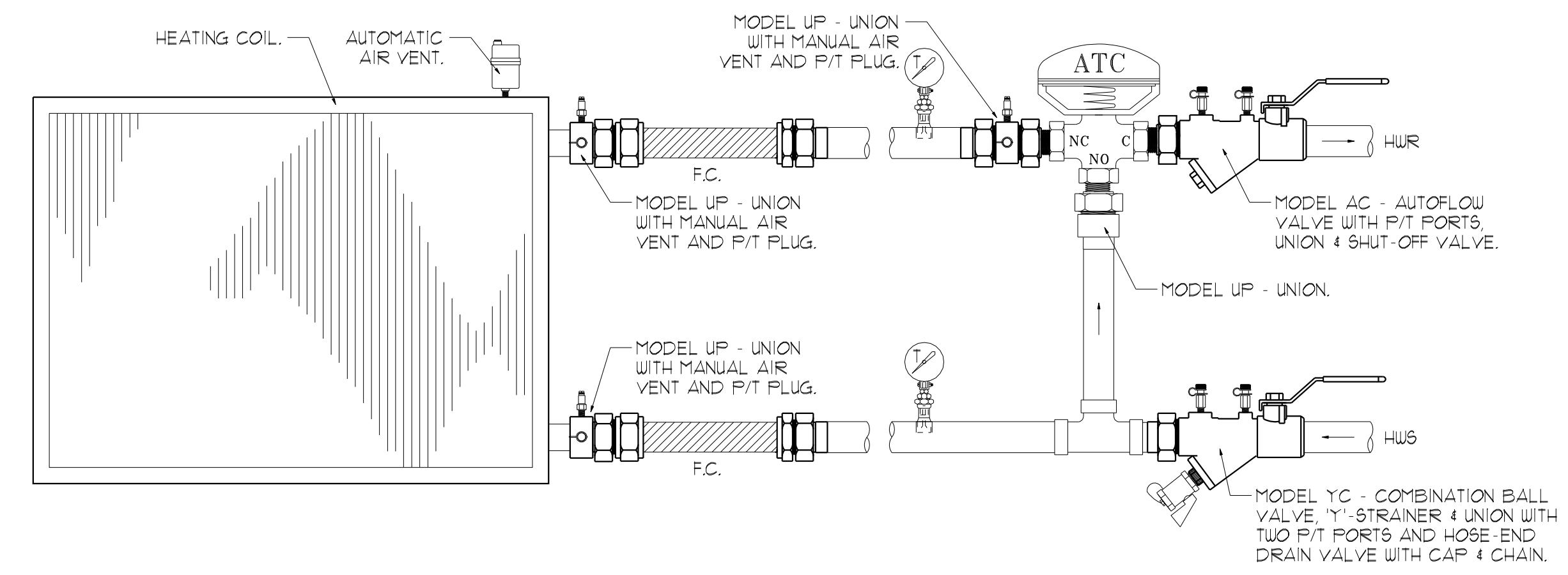
FIN TUBE PIPING DETAIL
 NTS



CABINET UNIT HEATER PIPING DETAIL
 NTS

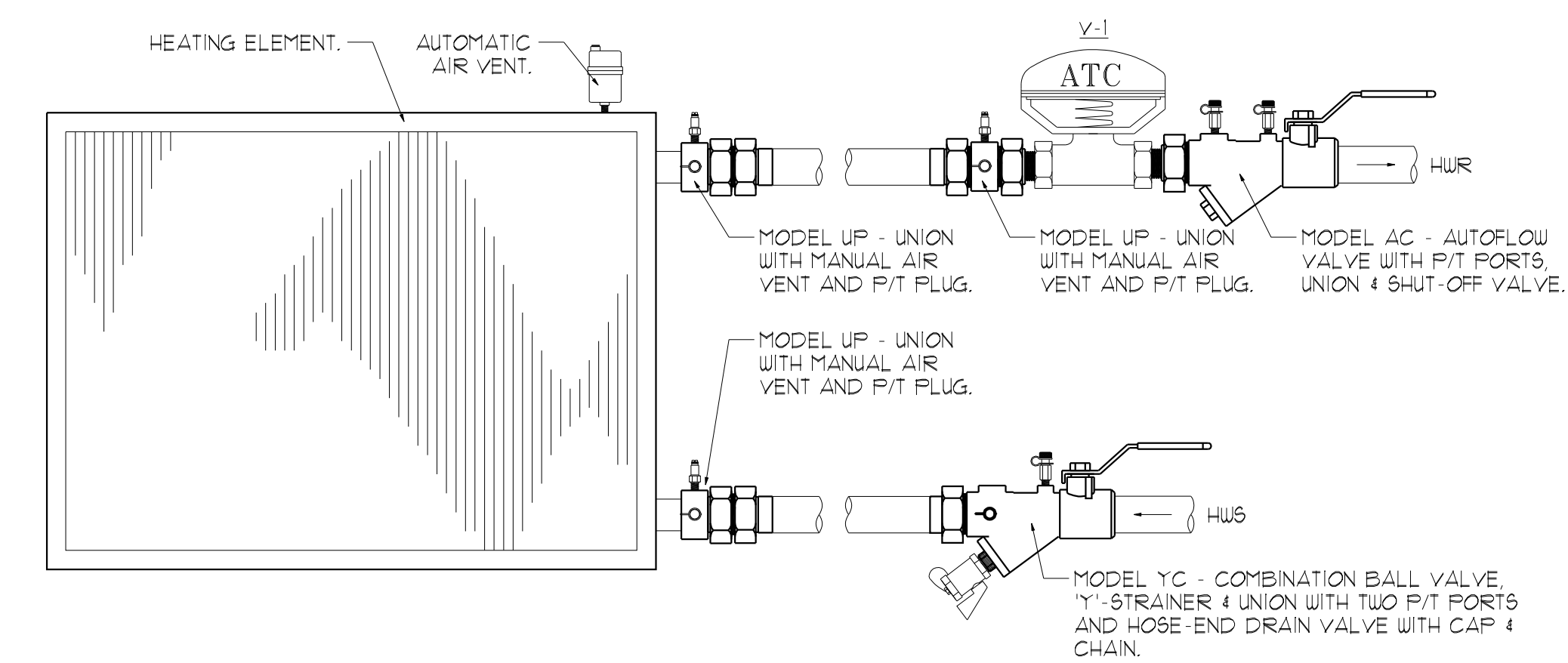


MOP BASIN INSTALLATION DETAIL
 NTS



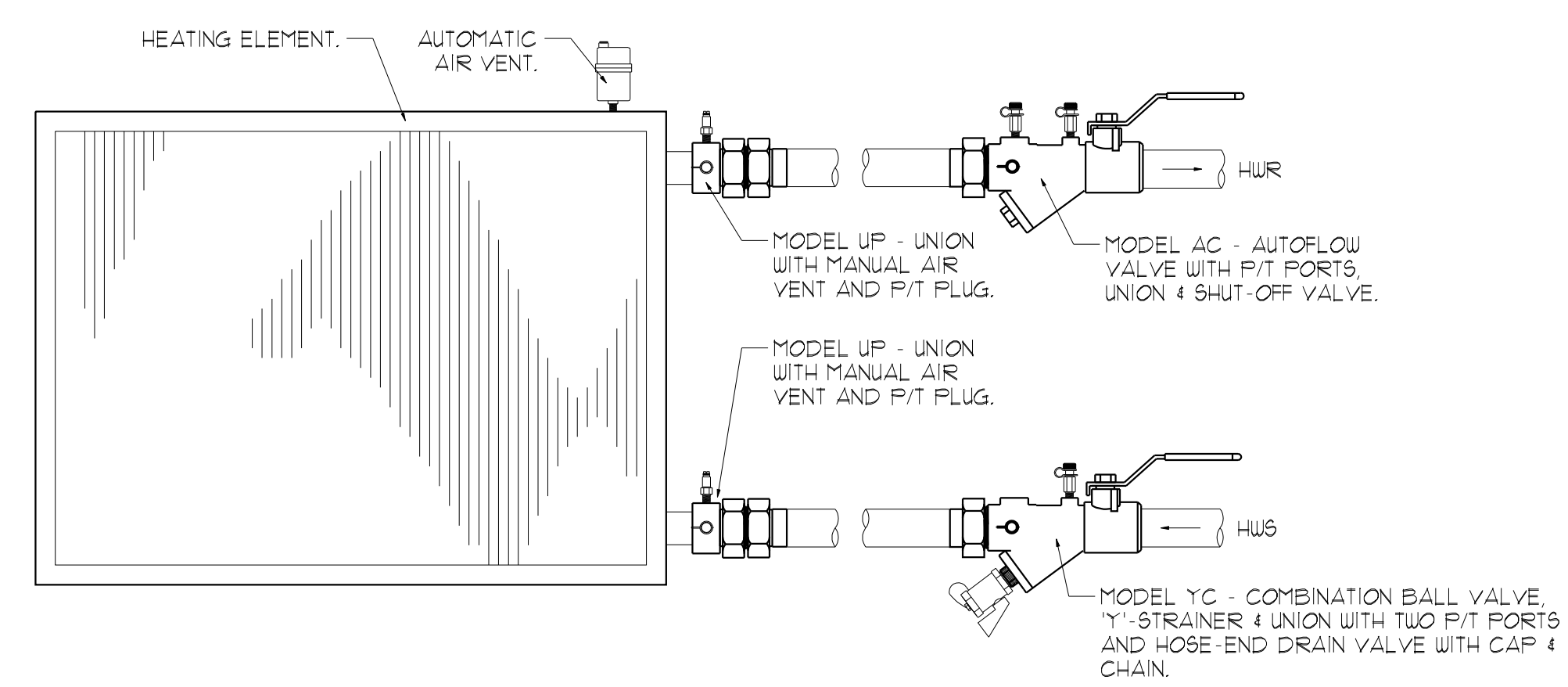
AUTOFLOW VALVE PIPING SCHEMATIC W/ 3-WAY VALVE

NTS
 NOTE - MODEL NUMBERS BASED ON FLOW DESIGN INC. FOR PIPE SIZES 2" AND SMALLER.
 NOTE - DETAIL APPLIES TO ERV-1 COIL (HC-1).



AUTOFLOW VALVE PIPING SCHEMATIC W/ 2-WAY VALVE

NTS
 NOTE - MODEL NUMBERS BASED ON FLOW DESIGN INC. FOR PIPE SIZES 2" AND SMALLER.
 NOTE - DETAIL APPLIES TO ALL FIN TUBE AND KICKSPACE/WALL HEATERS.



AUTOFLOW VALVE PIPING SCHEMATIC W/ NO VALVE CONTROL

NTS
 NOTE - MODEL NUMBERS BASED ON FLOW DESIGN INC. FOR PIPE SIZES 2" AND SMALLER.
 NOTE - DETAIL APPLIES TO UNIT HEATERS AND CABINET UNIT HEATERS.