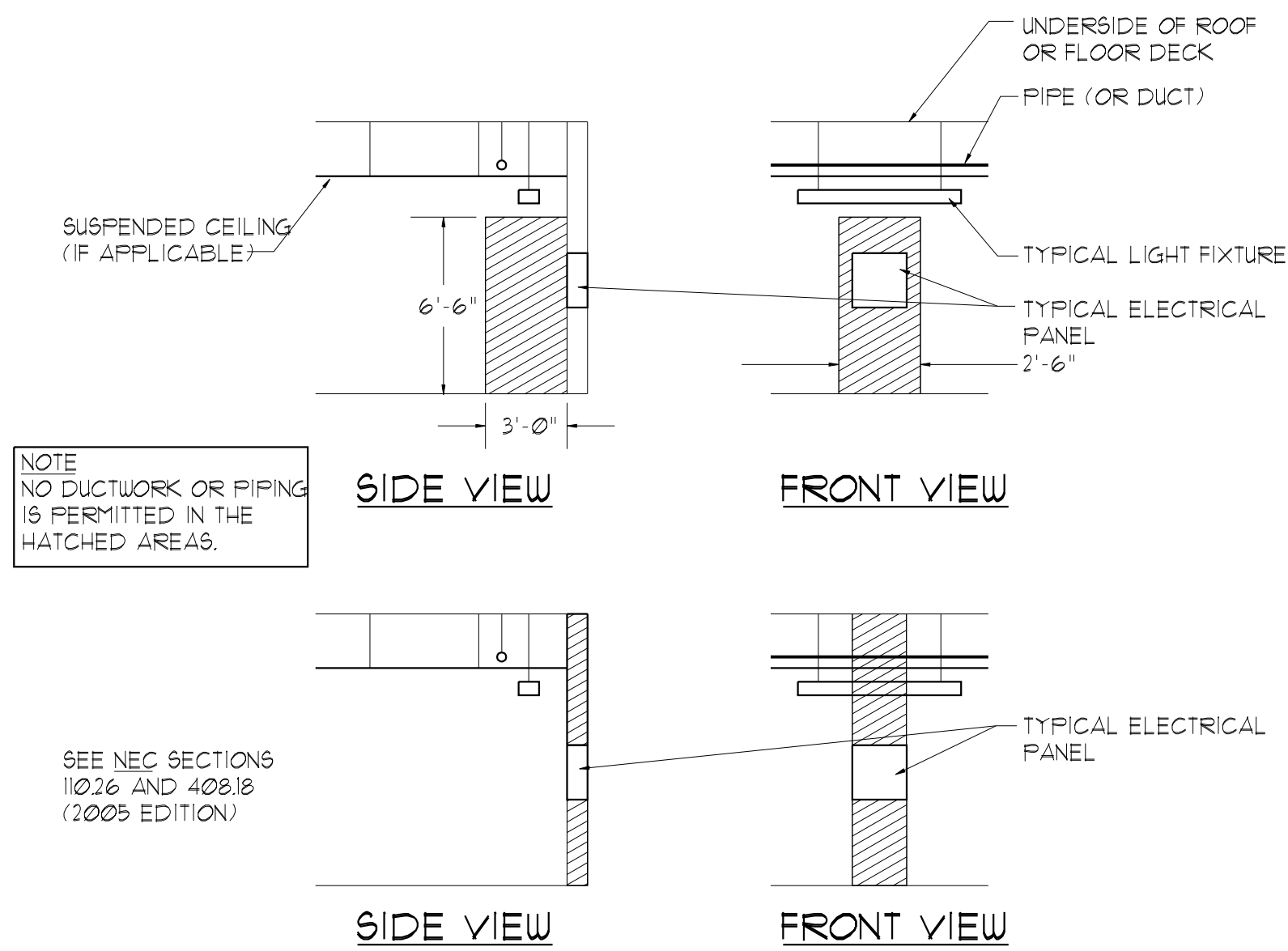


TRAP PRIMER CONNECTION DETAIL

NT5
 NOTE - ALL FLOOR DRAINS SHALL HAVE TRAP PRIMERS, CONNECT TO NEAREST FIXTURE.

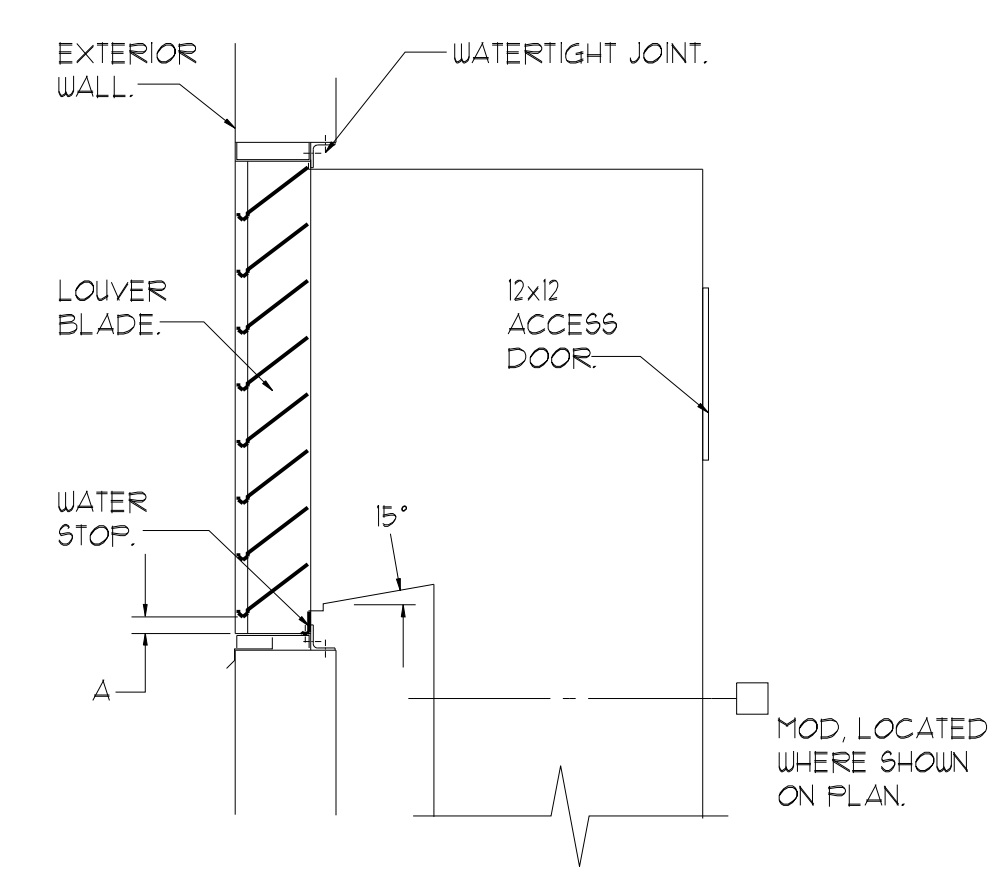


NOTE: NO DUCTWORK OR PIPING IS PERMITTED IN THE HATCHED AREAS.

SEE NEC SECTIONS 100.26 AND 400.18 (2005 EDITION)

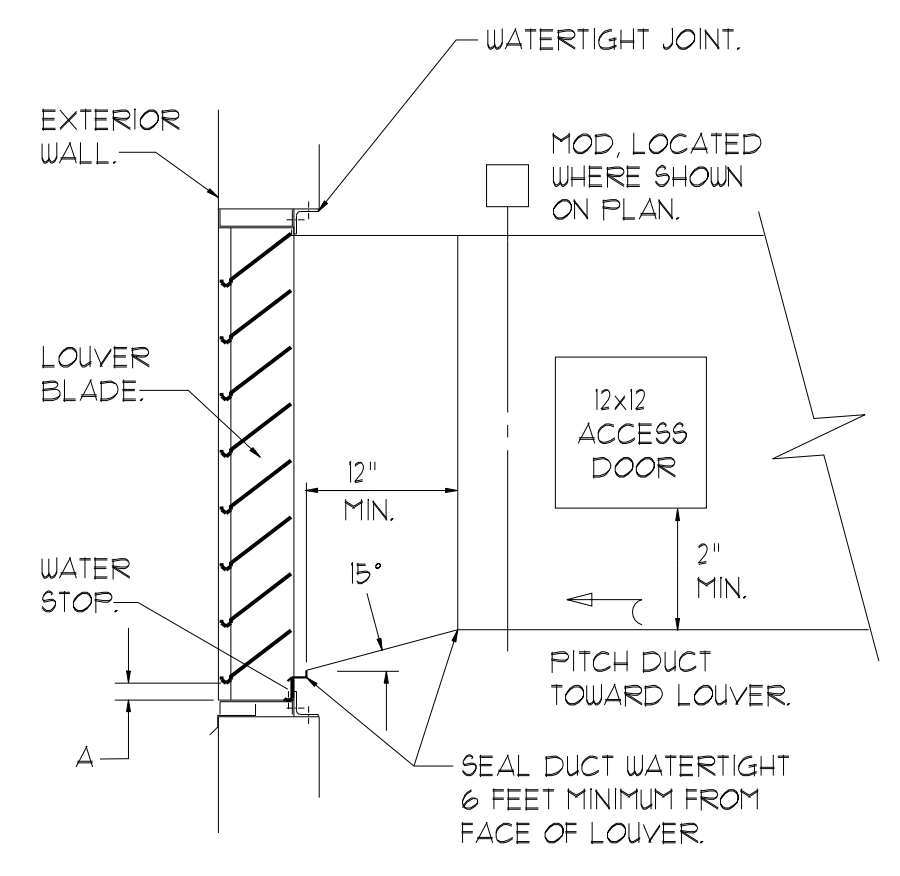
CLEARANCES AT ELECTRICAL PANELS

NT5



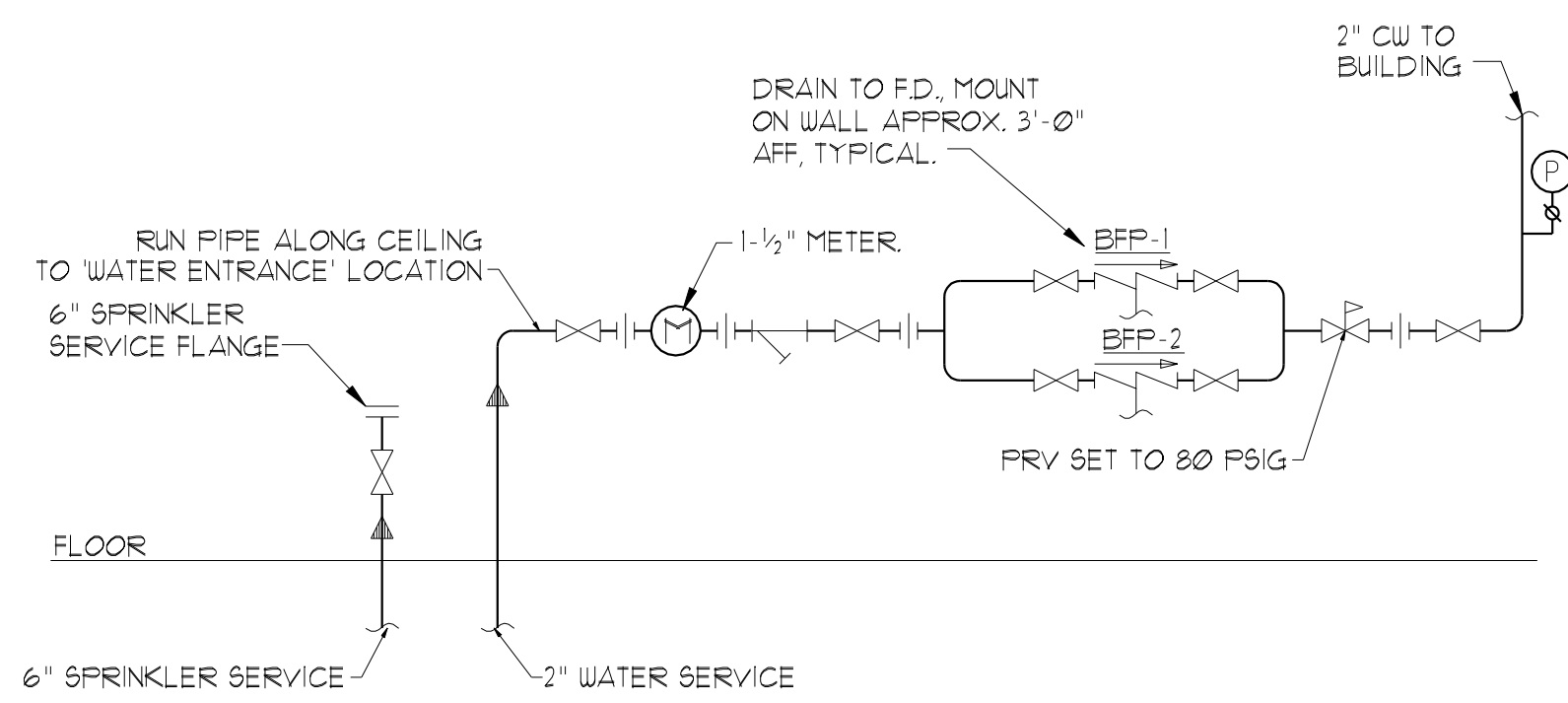
LOUVER DETAIL WITH DUCT FROM BELOW

NT5
 NOTE: IF DIMENSION "A" IS LESS THAN 1 INCH SEE MODIFIED LOUVER DETAIL THIS SHEET.



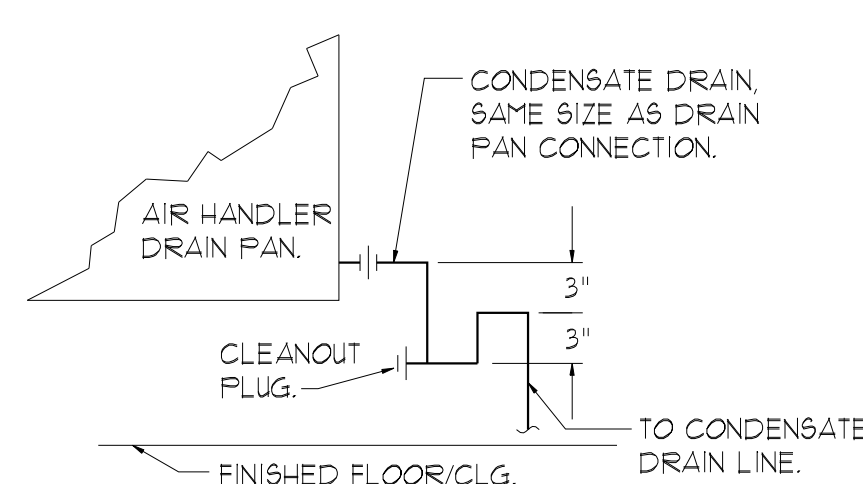
LOUVER DETAIL WITH HORIZONTAL DUCT

NT5
 NOTE: IF DIMENSION "A" IS LESS THAN 1 INCH SEE MODIFIED LOUVER DETAIL THIS SHEET.



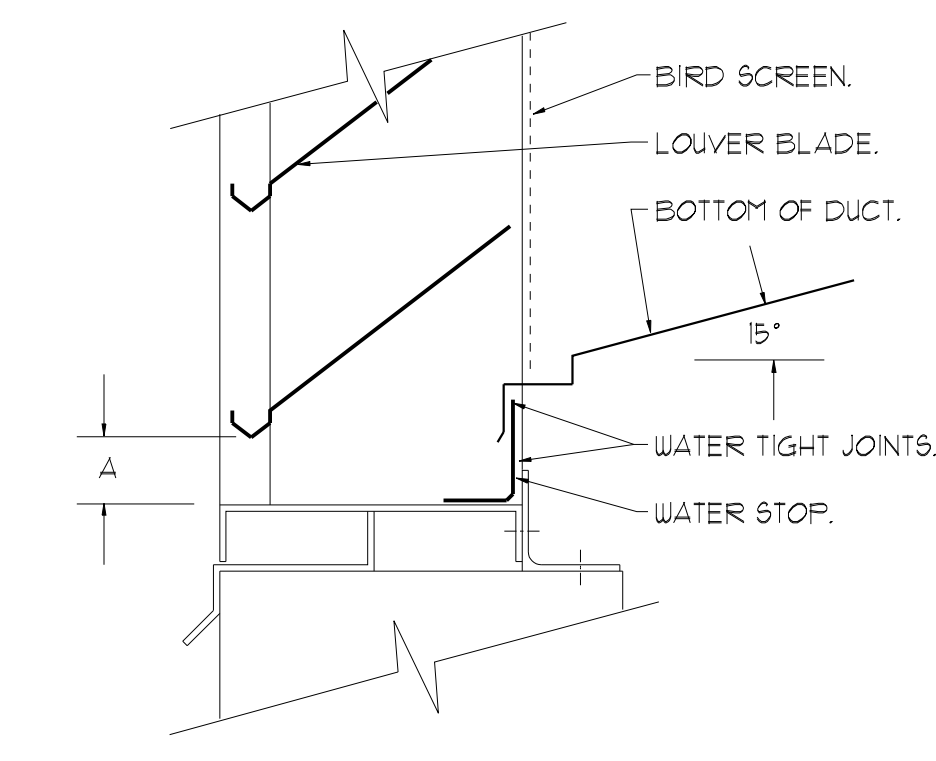
WATER ENTRANCE DETAIL

NT5



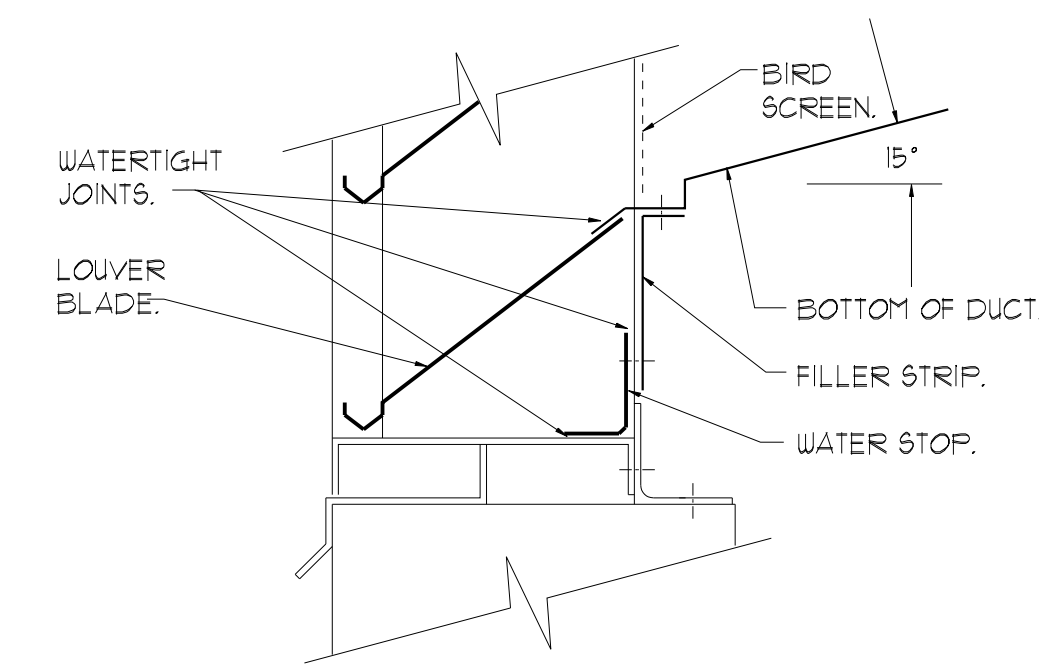
CONDENSATE TRAP DETAIL

NT5
 NOTE - CAP UNUSED DRAIN PAN CONNECTIONS.



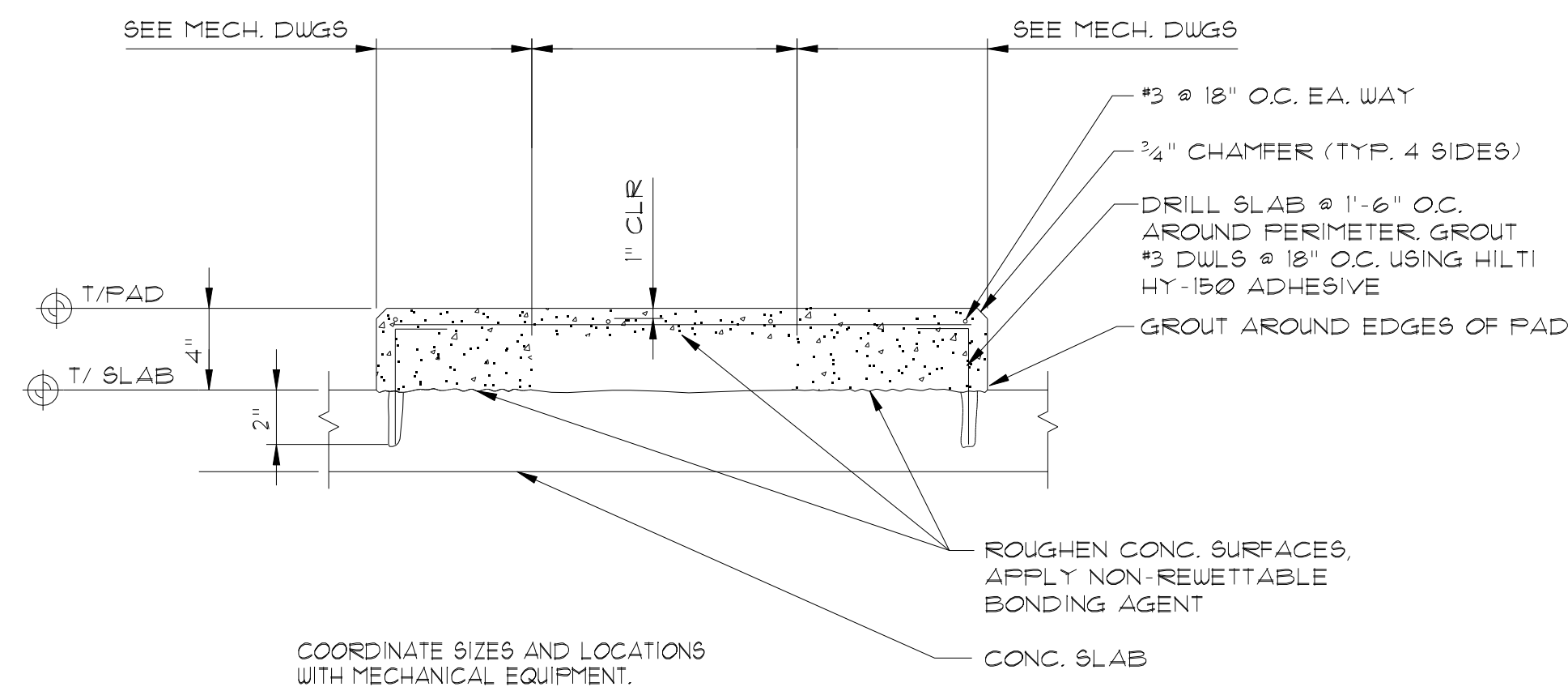
LOUVER CONNECTION DETAIL

NT5
 NOTE: TYPICAL FOR LOUVERS AND BLOCK VENTS. IF DIMENSION "A" IS LESS THAN 1 INCH SEE MODIFIED LOUVER DETAIL AT RIGHT (LOUVERS ONLY).



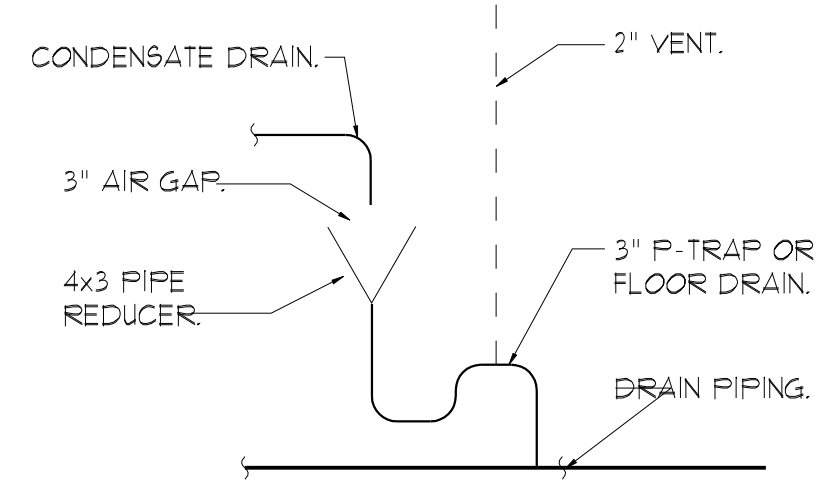
MODIFIED LOUVER DETAIL

NT5



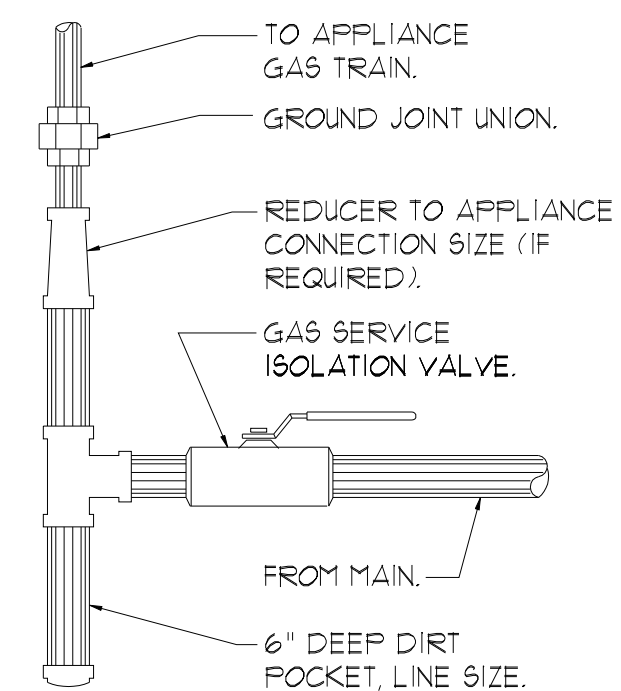
TYP. CONCRETE PAD ON SLAB

NT5



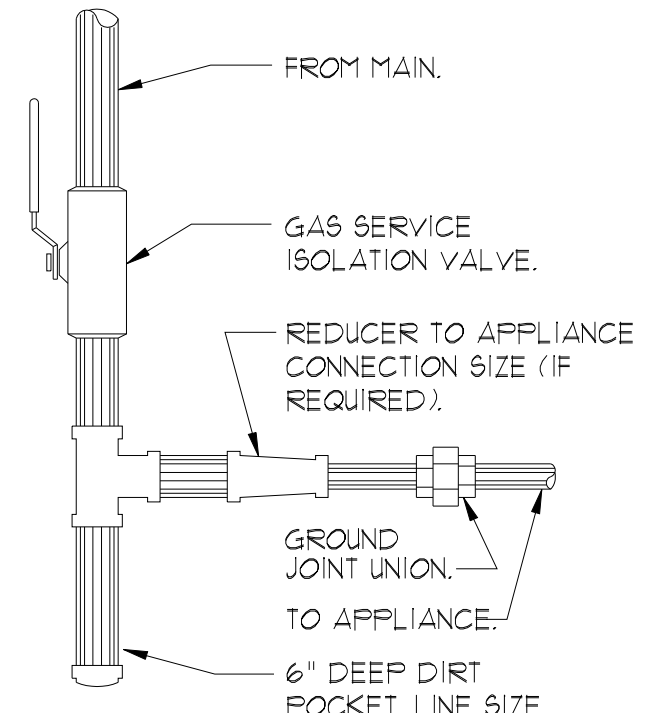
INDIRECT WASTE DETAIL

NT5



UPFEED GAS PIPING CONNECTION DETAIL

NT5
 NOTE: APPLIANCES WITH REGULATORS LOCATE PIPING SHOWN HEREIN UPSTREAM OF THE APPLIANCE REGULATOR. PROVIDE A TEST PLUG DOWNSTREAM OF THE APPLIANCE REGULATOR.

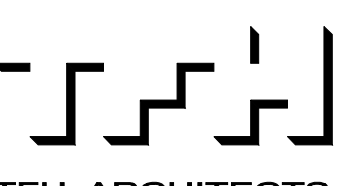


DOWNFEED GAS PIPING CONNECTION DETAIL

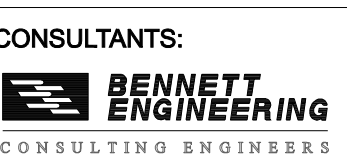
NT5
 NOTE: APPLIANCES WITH REGULATORS LOCATE PIPING SHOWN HEREIN UPSTREAM OF THE APPLIANCE REGULATOR. PROVIDE A TEST PLUG DOWNSTREAM OF THE APPLIANCE REGULATOR.

© 2007 TFH ARCHITECTS

BAYSIDE EAST
 PROPOSED ELDERLY HOUSING
 47 SMITH STREET, PORTLAND
 FOR BAYSIDE EAST LP



TFH ARCHITECTS
 100 COMMERCIAL STREET
 PORTLAND MAINE 04101
 TELEPHONE 207 775 6141
 ARCHITECTURE PLANNING



REVISIONS:

DATE: MAY 18, 2007
 PROJECT No. 0514
 DRAWN BY: JMV
 CHECKED BY: SPDoel
 SCALE: AS NOTED

SHEET TITLE:
 MECHANICAL DETAILS

M3.4