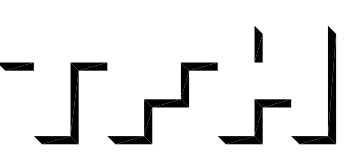
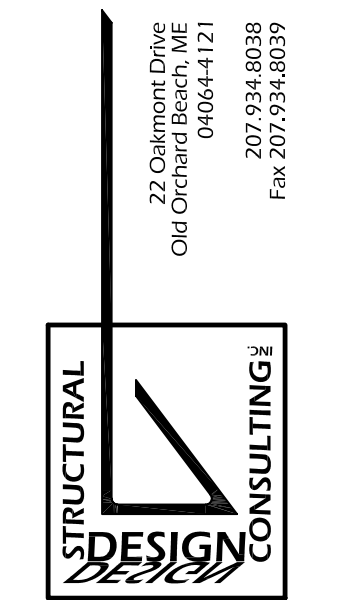


© 2007 TFH ARCHITECTS

BAYSIDE EAST
 PROPOSED ELDERLY HOUSING
 47 SMITH STREET, PORTLAND
 FOR BAYSIDE EAST LP



TFH ARCHITECTS
 100 COMMERCIAL STREET
 PORTLAND MAINE 04101
 TELEPHONE 207 775 6141
 ARCHITECTURE PLANNING

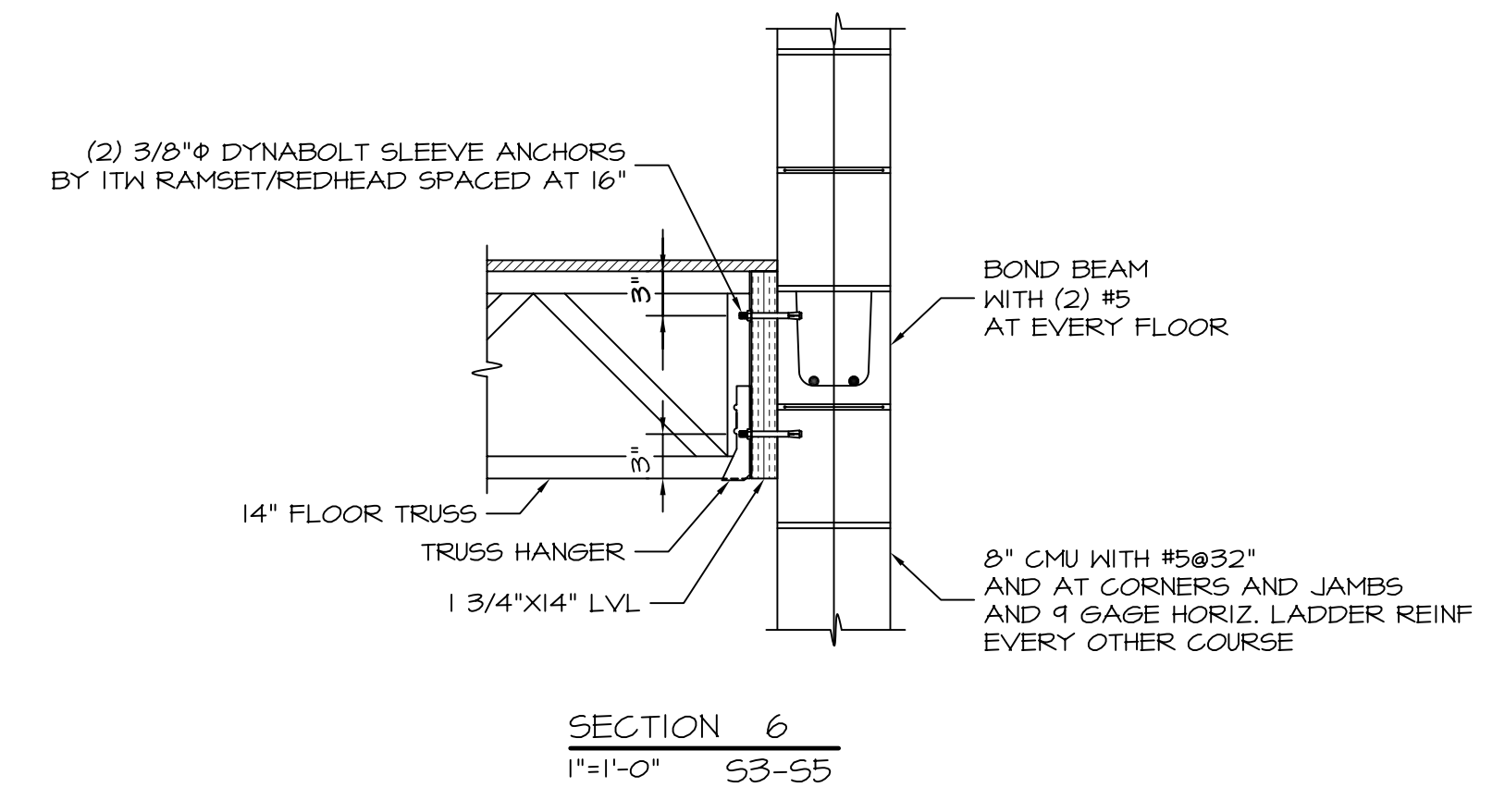
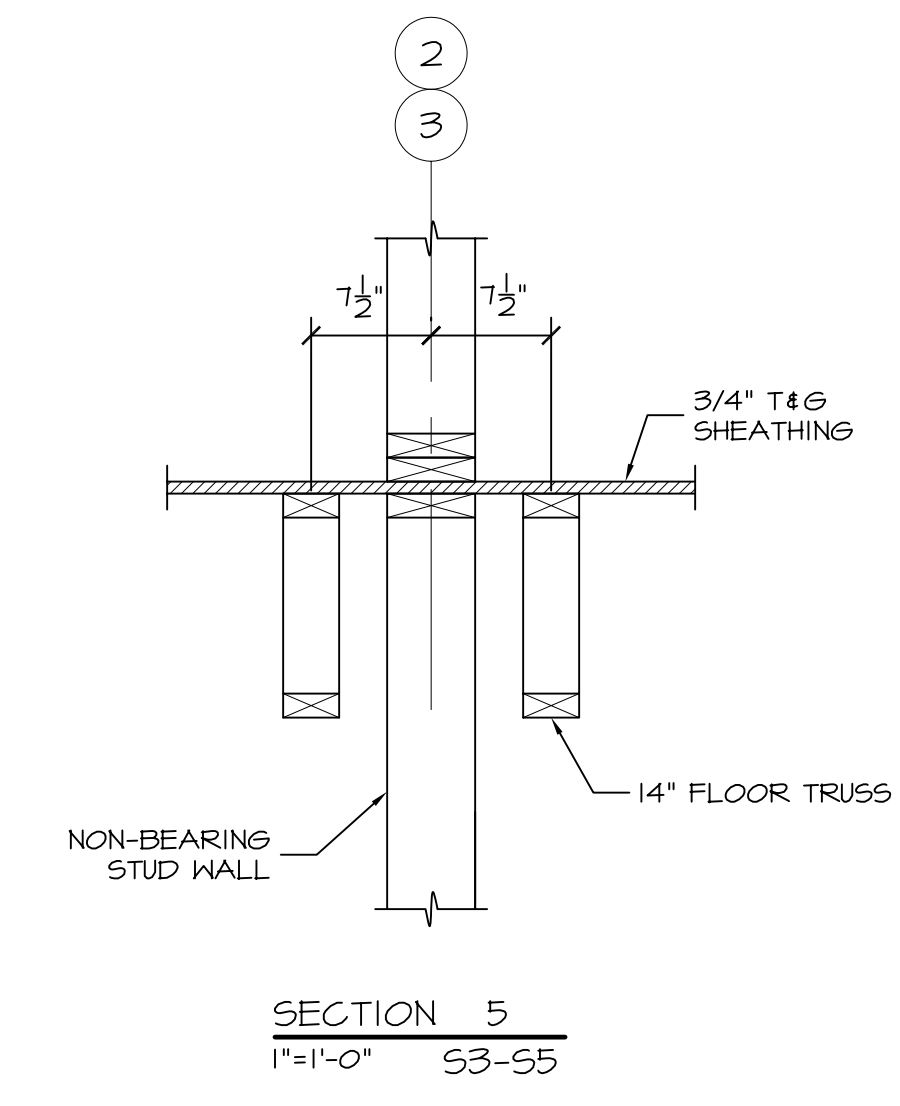
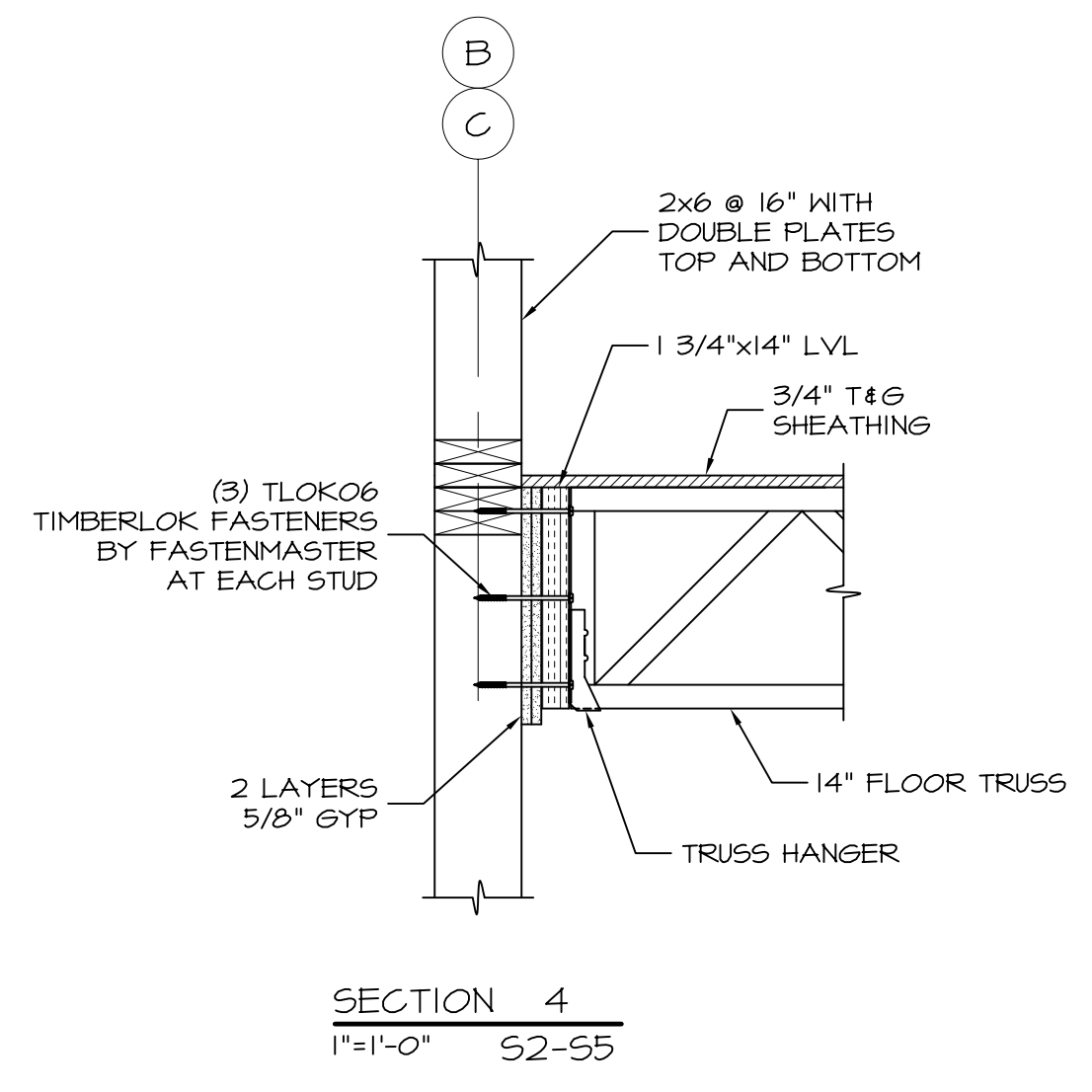
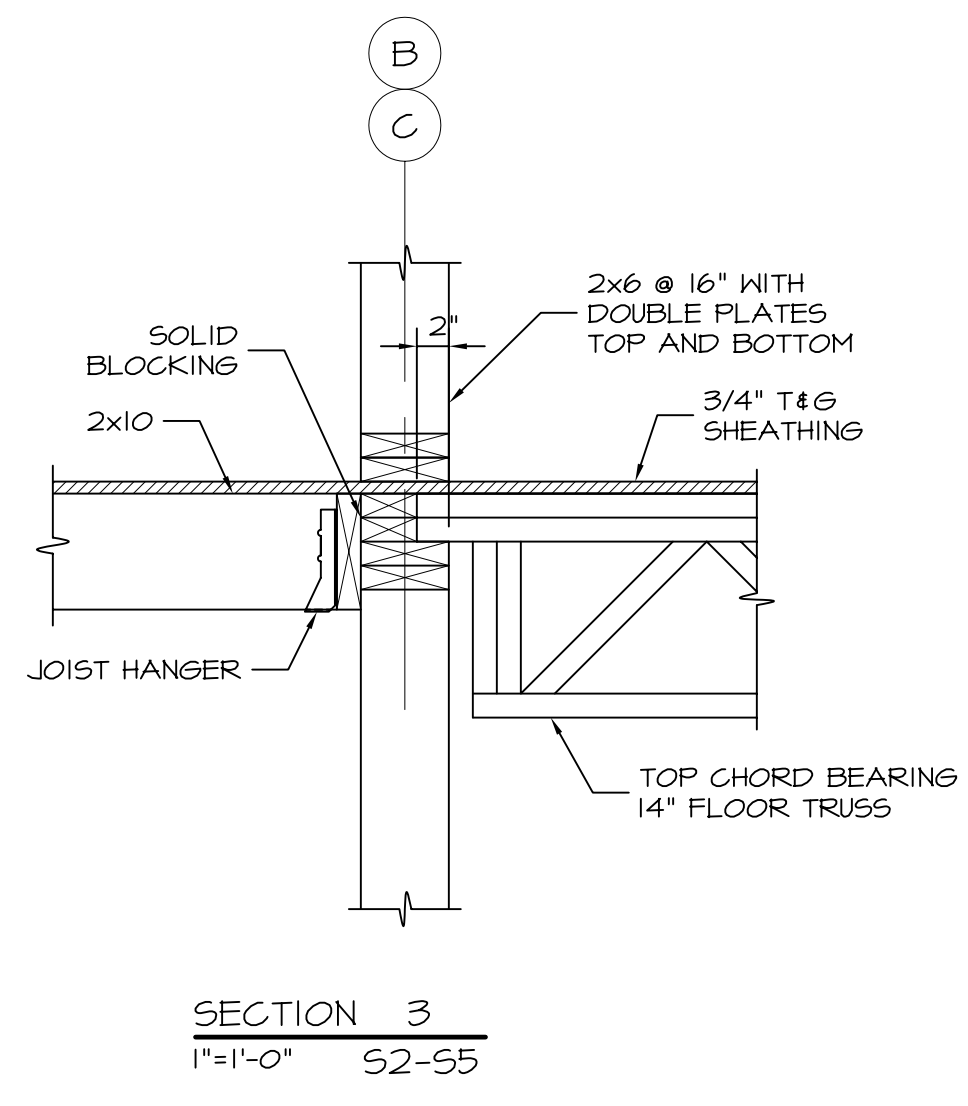
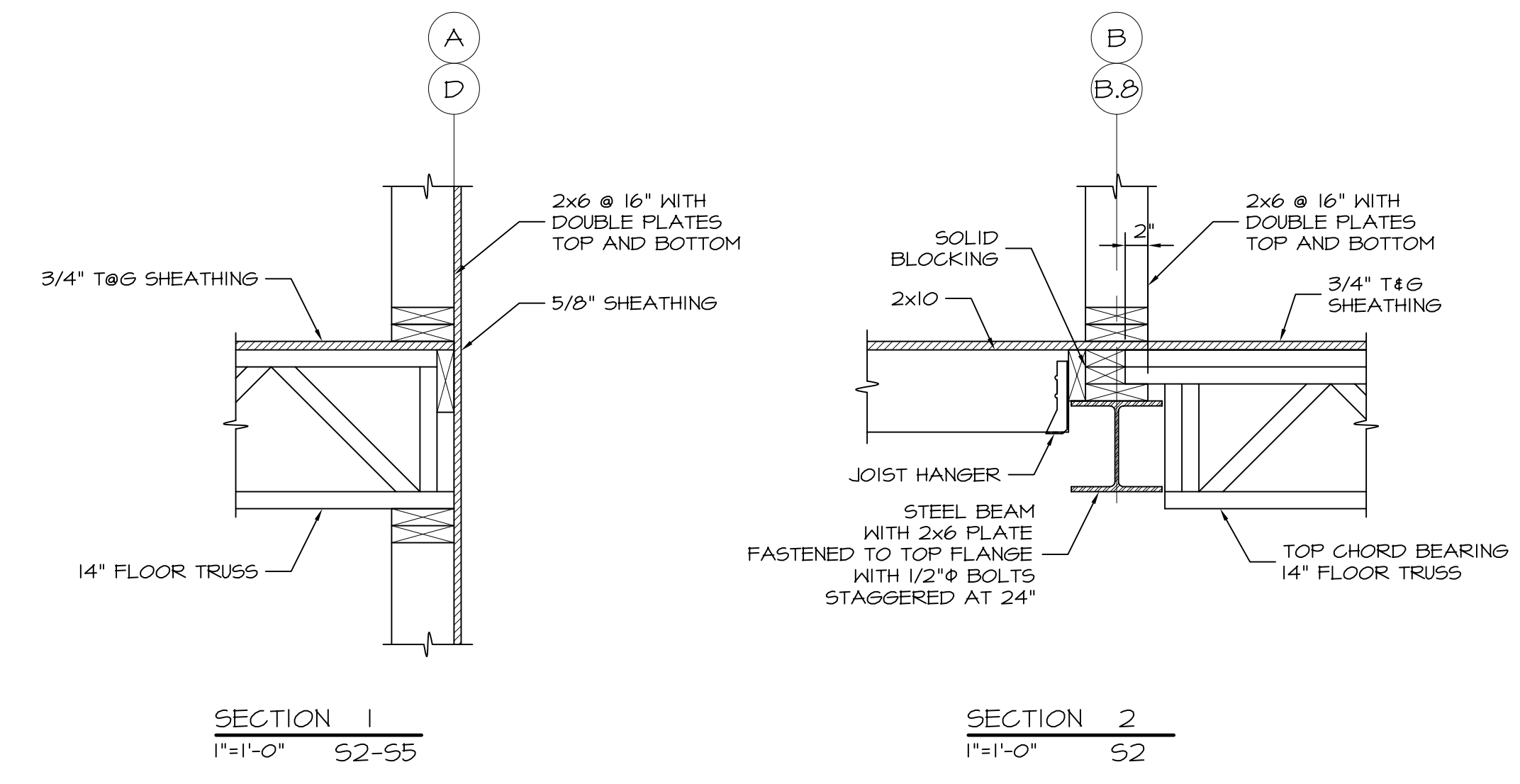


REVISIONS:

DATE: May 18, 2007
 PROJECT No. 07012
 DRAWN BY: DJT
 CHECKED BY: DJT
 SCALE: AS NOTED

SHEET TITLE:
 FRAMING SECTIONS AND DETAILS

S8.0



SECTION 1
1"=1'-0" 52-55

SECTION 2
1"=1'-0" 52

SECTION 3
1"=1'-0" 52-55

SECTION 4
1"=1'-0" 52-55

SECTION 5
1"=1'-0" 53-55

SECTION 6
1"=1'-0" 53-55