

© 2007 TFH ARCHITECTS

BAYSIDE EAST
PROPOSED ELDERLY HOUSING
47 SMITH STREET, PORTLAND
FOR BAYSIDE EAST LP

TFH ARCHITECTS
100 COMMERCIAL STREET
PORTLAND MAINE 04101
TELEPHONE 207 775 6141
ARCHITECTURAL PLANNING

CONSULTANTS:
DWG: Pritchard and Greer Consulting Engineers
350 US Route 1
Falmouth, ME 04105
207-781-5242
STRUCTURAL: Structural Design Consulting
22 Oakmont Drive
C/O Orchard Beach, ME 04054
207-934-8038
MECHANICAL AND ELECTRICAL: Bennett Engineering
7 Bennett Road
Fresno, ME 04032
207-855-9475

REVISIONS:

DATE: 05/18/07

PROJECT No. 0514

DRAWN BY: RJS

CHECKED BY: TST

SCALE: AS NOTED

SHEET TITLE:
DOOR SCHEDULE AND DETAILS

A7.1

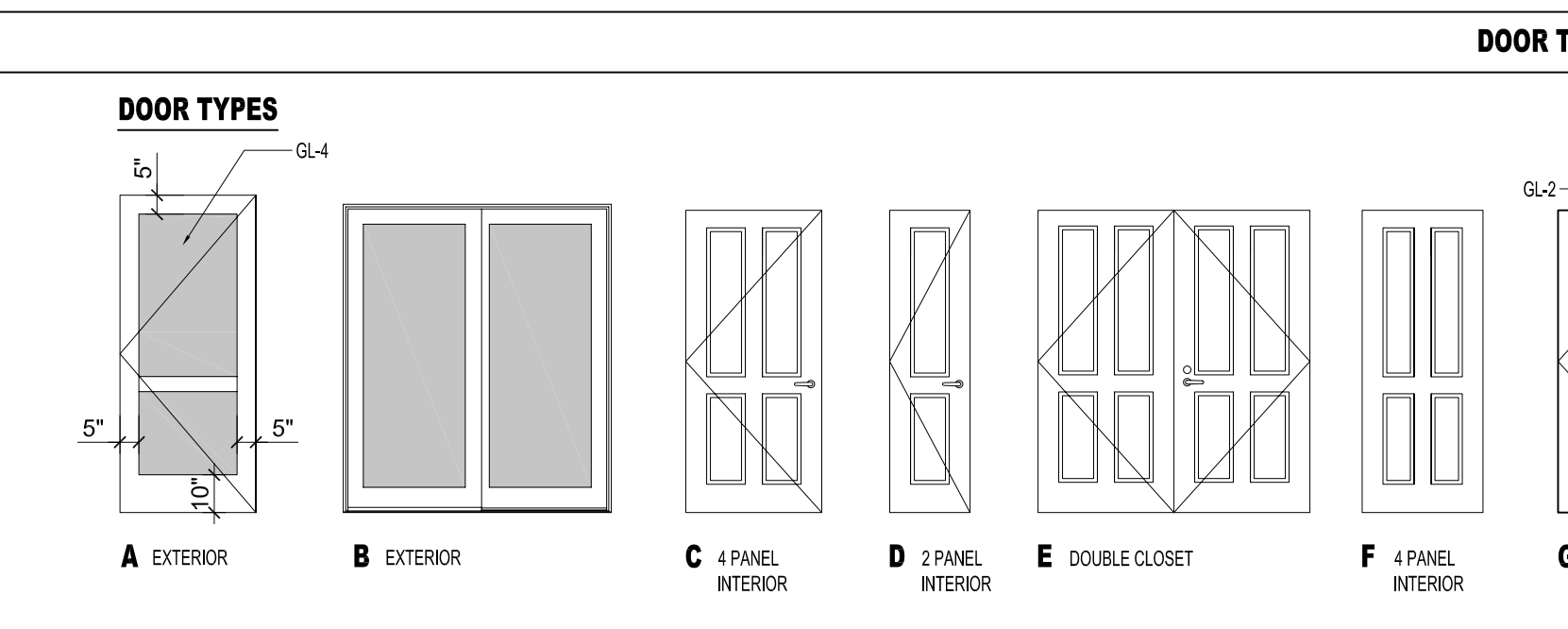
DOOR SCHEDULE table with columns: DOOR NO., TYPE, SIZE (WIDTH, HEIGHT, THICKNESS), MATERIAL, INSULATED, FRAME (TYPE, MATERIAL, THRESHOLD, HEAD, JAMB, SILL), CLOSER, GLAZING (GLAZING TYPE, HARDWARE), GENERAL (HARDWARE KEY, ALL EXTERIOR & VESTIBULE DOORS TO BE WEATHERSTRIPPED), REMARKS.

DOOR SCHEDULE table with columns: DOOR NO., TYPE, SIZE (WIDTH, HEIGHT, THICKNESS), MATERIAL, INSULATED, FRAME (TYPE, MATERIAL, THRESHOLD, HEAD, JAMB, SILL), CLOSER, GLAZING (GLAZING TYPE, HARDWARE), GENERAL (HARDWARE KEY, ALL EXTERIOR & VESTIBULE DOORS TO BE WEATHERSTRIPPED), REMARKS.

DOOR SCHEDULE table with columns: DOOR NO., TYPE, SIZE (WIDTH, HEIGHT, THICKNESS), MATERIAL, INSULATED, FRAME (TYPE, MATERIAL, THRESHOLD, HEAD, JAMB, SILL), CLOSER, GLAZING (GLAZING TYPE, HARDWARE), GENERAL (HARDWARE KEY, ALL EXTERIOR & VESTIBULE DOORS TO BE WEATHERSTRIPPED), REMARKS.

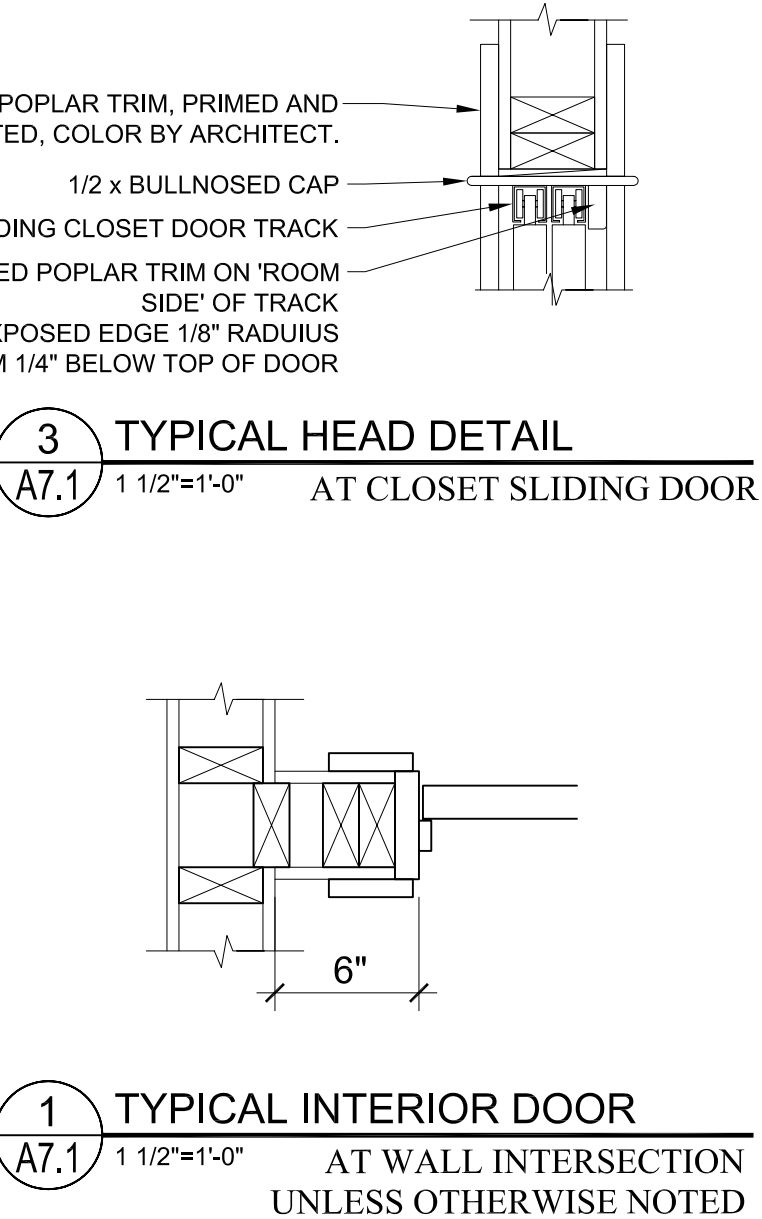
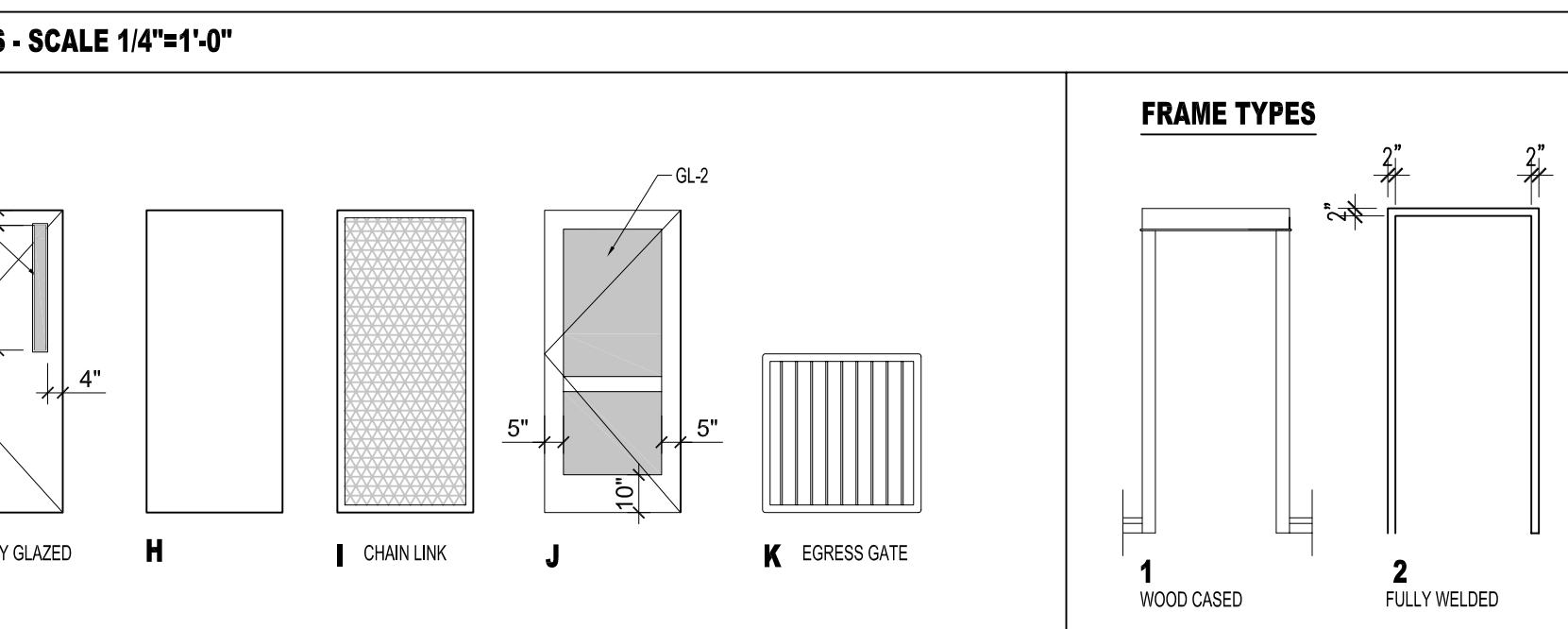
DOOR SCHEDULE table with columns: DOOR NO., TYPE, SIZE (WIDTH, HEIGHT, THICKNESS), MATERIAL, INSULATED, FRAME (TYPE, MATERIAL, THRESHOLD, HEAD, JAMB, SILL), CLOSER, GLAZING (GLAZING TYPE, HARDWARE), GENERAL (HARDWARE KEY, ALL EXTERIOR & VESTIBULE DOORS TO BE WEATHERSTRIPPED), REMARKS.

DOOR SCHEDULE table with columns: DOOR NO., TYPE, SIZE (WIDTH, HEIGHT, THICKNESS), MATERIAL, INSULATED, FRAME (TYPE, MATERIAL, THRESHOLD, HEAD, JAMB, SILL), CLOSER, GLAZING (GLAZING TYPE, HARDWARE), GENERAL (HARDWARE KEY, ALL EXTERIOR & VESTIBULE DOORS TO BE WEATHERSTRIPPED), REMARKS.



DOOR SCHEDULE table with columns: DOOR NO., TYPE, SIZE (WIDTH, HEIGHT, THICKNESS), MATERIAL, INSULATED, FRAME (TYPE, MATERIAL, THRESHOLD, HEAD, JAMB, SILL), CLOSER, GLAZING (GLAZING TYPE, HARDWARE), GENERAL (HARDWARE KEY, ALL EXTERIOR & VESTIBULE DOORS TO BE WEATHERSTRIPPED), REMARKS.

DOOR SCHEDULE table with columns: DOOR NO., TYPE, SIZE (WIDTH, HEIGHT, THICKNESS), MATERIAL, INSULATED, FRAME (TYPE, MATERIAL, THRESHOLD, HEAD, JAMB, SILL), CLOSER, GLAZING (GLAZING TYPE, HARDWARE), GENERAL (HARDWARE KEY, ALL EXTERIOR & VESTIBULE DOORS TO BE WEATHERSTRIPPED), REMARKS.



NOTES:
1. EXTERIOR DOOR JAMBS TO BE SEALED TO THEIR ROUGH OPENINGS USING LOW EXPANDING FOAM, BACKER ROD OR CAULKING.

GLAZING SCHEDULE table with columns: KEY, GLAZING TYPE. Rows: GL-1 INSULATED CLEAR GLAZING, GL-2 FIRE RATED WIRE GLAZING, GL-3 CLEAR TEMPERED GLASS, GL-4 CLEAR INSULATED TEMPERED GLASS.