

BAYSIDE EAST
PROPOSED ELDERLY HOUSING
47 SMITH STREET, PORTLAND
FOR BAYSIDE EAST LP

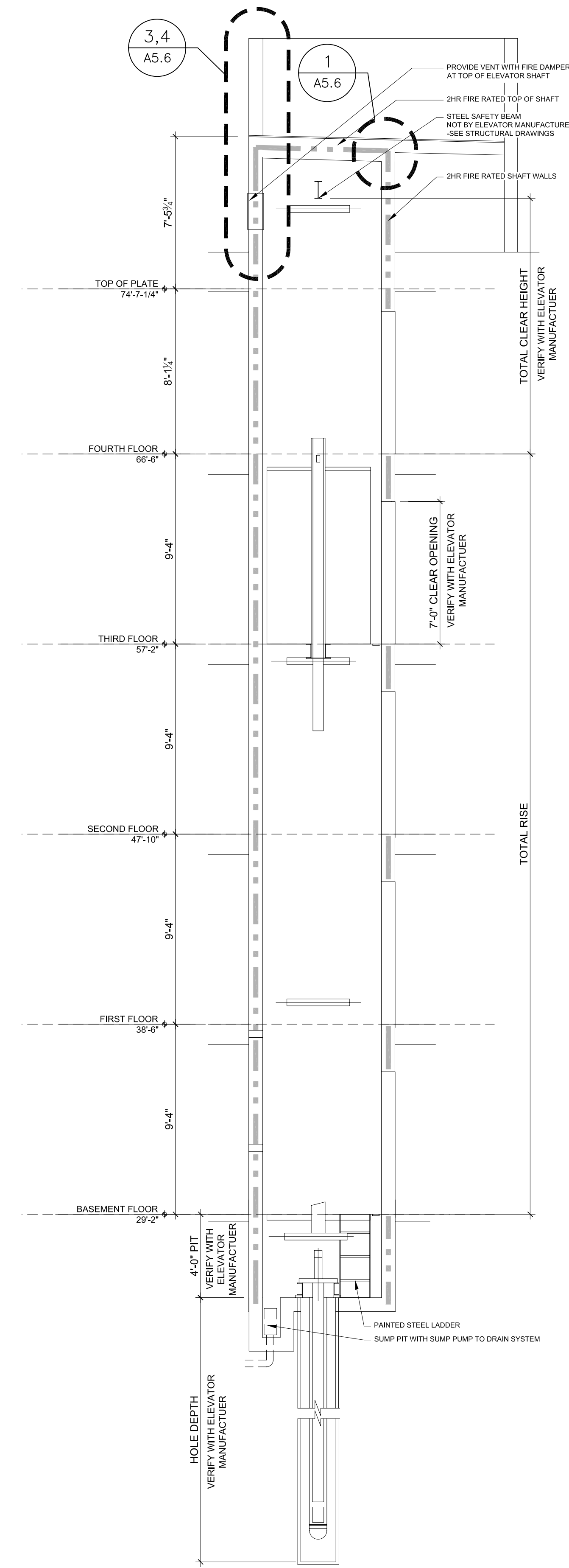
TFH ARCHITECTS
100 COMMERCIAL STREET
PORTLAND MAINE 04101
TELEPHONE 207 775 6141
ARCHITECTURE PLANNING

CONSULTANTS:
CIVIL: Pishman and Greer Consulting Engineers
390 US Route 1
Falmouth, ME 04105
207-781-5242
STRUCTURAL: Structural Design Consulting
22 Oakmont Drive
236 Orchard Beach, ME 04094
207-934-8038
MECHANICAL AND ELECTRICAL: Bennett Engineering
7 Bennett Road
Fresno, ME 04032
207-866-9475

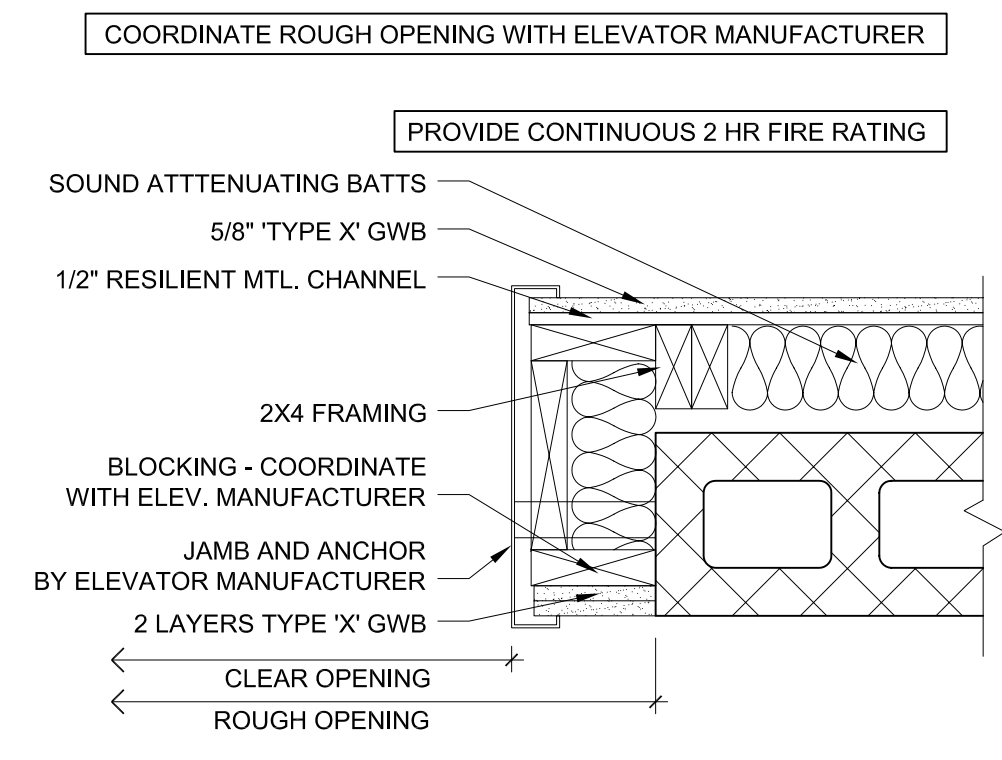
REVISIONS:
DATE: 05/18/07
PROJECT No. 0514
DRAWN BY: RUS
CHECKED BY: TST
SCALE: AS NOTED

SHEET TITLE:
ELEVATOR
PLAN, SECTION
AND DETAILS

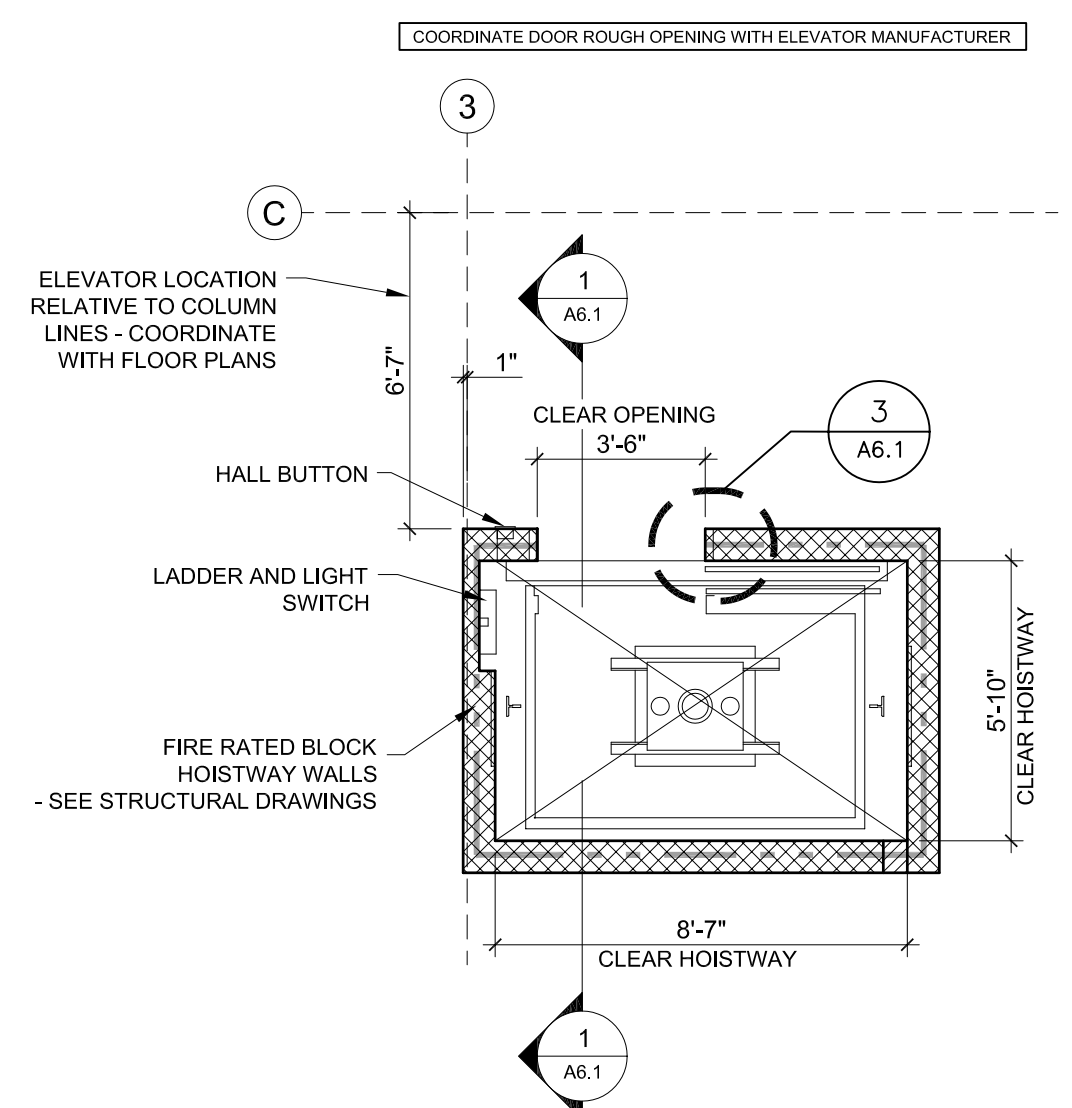
- ELEVATOR NOTES**
- LAYOUT BASED ON 2500LB HOLED HYDRAULIC ELEVATOR
 - COORDINATE BLOCKWORK WITH ELEVATOR MANUFACTURERS HOISTWAY REQUIREMENTS
 - COORDINATE ROUGH OPENINGS WITH ELEVATOR MANUFACTURERS HOISTWAY REQUIREMENTS
 - ELEVATOR MUST MEET ADA ACCESSIBILITY REQUIREMENTS



1 ELEVATOR - SECTION
A6.1 1/4" = 1'-0"



3 TYPICAL ELEVATOR DOOR JAMB PLAN DETAIL
A6.1 1-1/2" = 1'-0"



2 ELEVATOR - PLAN
A6.1 1/4" = 1'-0"